



US00D842511S

(12) **United States Design Patent** (10) **Patent No.:** **US D842,511 S**
Kang et al. (45) **Date of Patent:** **** Mar. 5, 2019**

(54) **REAR COMBINATION LAMP FOR VEHICLES**

(71) Applicant: **KIA MOTORS CORPORATION**,
Seoul (KR)

(72) Inventors: **Seong-Yeop Kang**, Busan (KR);
Sung-Wook Kim, Gunpo-si (KR)

(73) Assignee: **Kia Motors Corporation**, Seoul (KR)

(**) Term: **15 Years**

(21) Appl. No.: **35/502,833**

(22) Filed: **Oct. 17, 2016**

(80) **Hague Agreement Data**

Int. Filing Date: **Oct. 17, 2016**
 Int. Reg. No.: **DM/093161**
 Int. Reg. Date: **Oct. 17, 2016**
 Int. Reg. Pub. Date: **Apr. 21, 2017**

(30) **Foreign Application Priority Data**

Aug. 29, 2016 (KR) 30-2016-0042020

(51) **LOC (11) Cl.** **26-06**

(52) **U.S. Cl.**
USPC **D26/28**

(58) **Field of Classification Search**

USPC D26/28-36
 CPC F21S 48/00; F21S 48/10; F21S 48/115;
 F21S 48/225; F21S 48/2281; F21S
 48/1233; F21S 48/1266; F21S 48/1388;
 F21S 48/2266; F21V 21/04; B60Q 1/30;
 B60Q 1/2607; B60Q 1/2696; B62J 6/00;
 B62J 6/04

See application file for complete search history.

(56) **References Cited**

U.S. PATENT DOCUMENTS

D803,438 S *	11/2017	Badstuebner	D26/28
D803,439 S *	11/2017	Oh	D26/28
D806,921 S *	1/2018	Ryu	D26/28
D807,547 S *	1/2018	Lin	D26/28
D810,974 S *	2/2018	Sato	D26/28
D811,633 S *	2/2018	Gould	D26/28
D812,263 S *	3/2018	Minamiyama	D26/28
D812,264 S *	3/2018	Minamiyama	D26/28
D812,789 S *	3/2018	Dos Santos	D26/28

* cited by examiner

Primary Examiner — Zenia I Bennett

(74) *Attorney, Agent, or Firm* — Mintz Levin Cohn Ferris
Glovsky and Popeo, P.C.; Kongsik Kim; Jhongwoo Jay
Peck

(57) **CLAIM**

The ornamental design for a rear combination lamp for vehicles, as shown and described.

DESCRIPTION

1. Rear combination lamp for vehicles

1.1 : Perspective

1.2 : Front

1.3 : Back

1.4 : Left

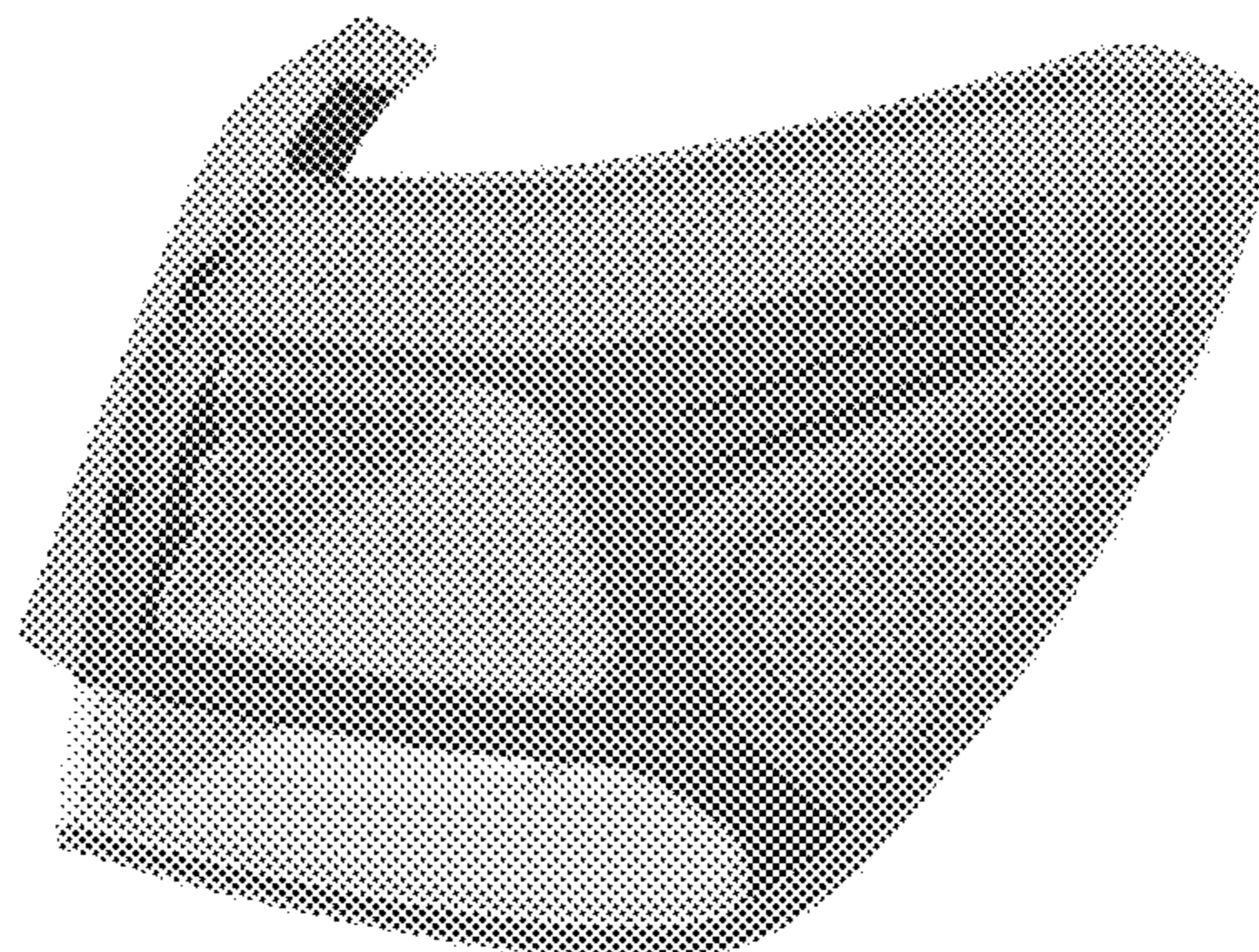
1.5 : Right

1.6 : Top

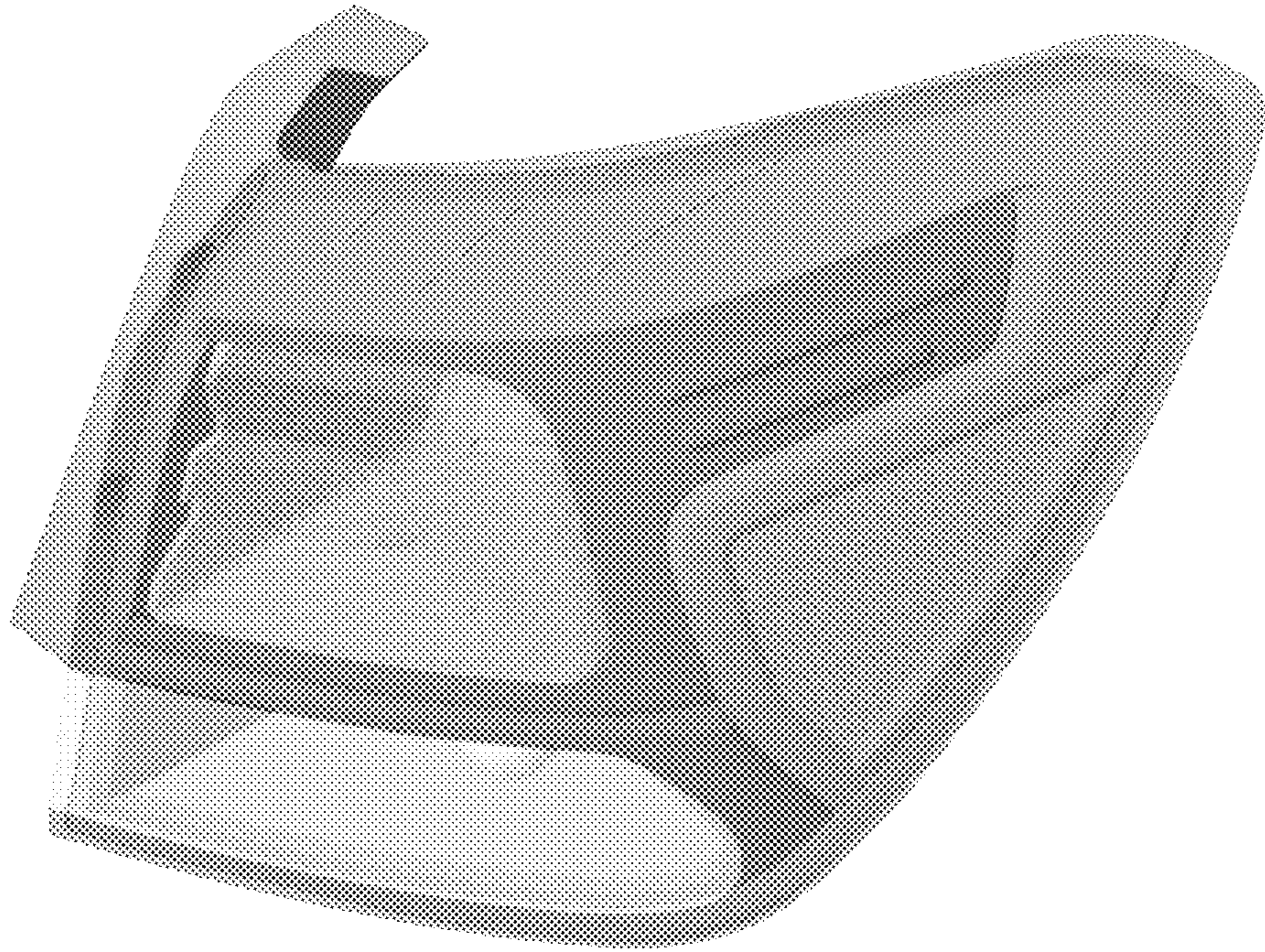
1.7 : Bottom

The article is adhered on to the rear of a vehicle, and it is a combination of a lamp that is turned on the moment that the break is applied and a lamp that is turned on the moment that the reverse gear is applied; as appeared in the perspective drawing, the cover part of the front of this article and the lamp part inside the cover part are transparent.

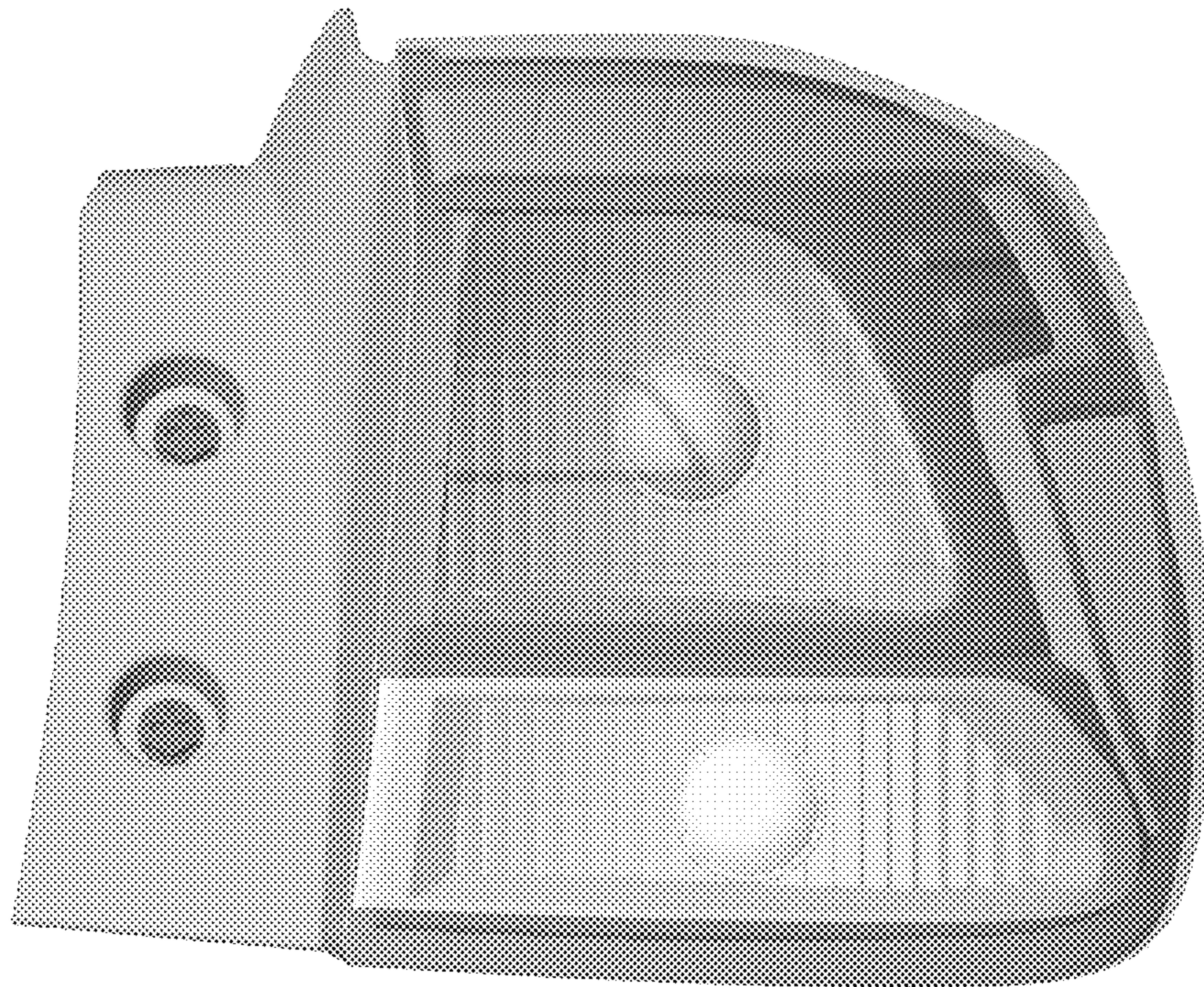
1 Claim, 7 Drawing Sheets



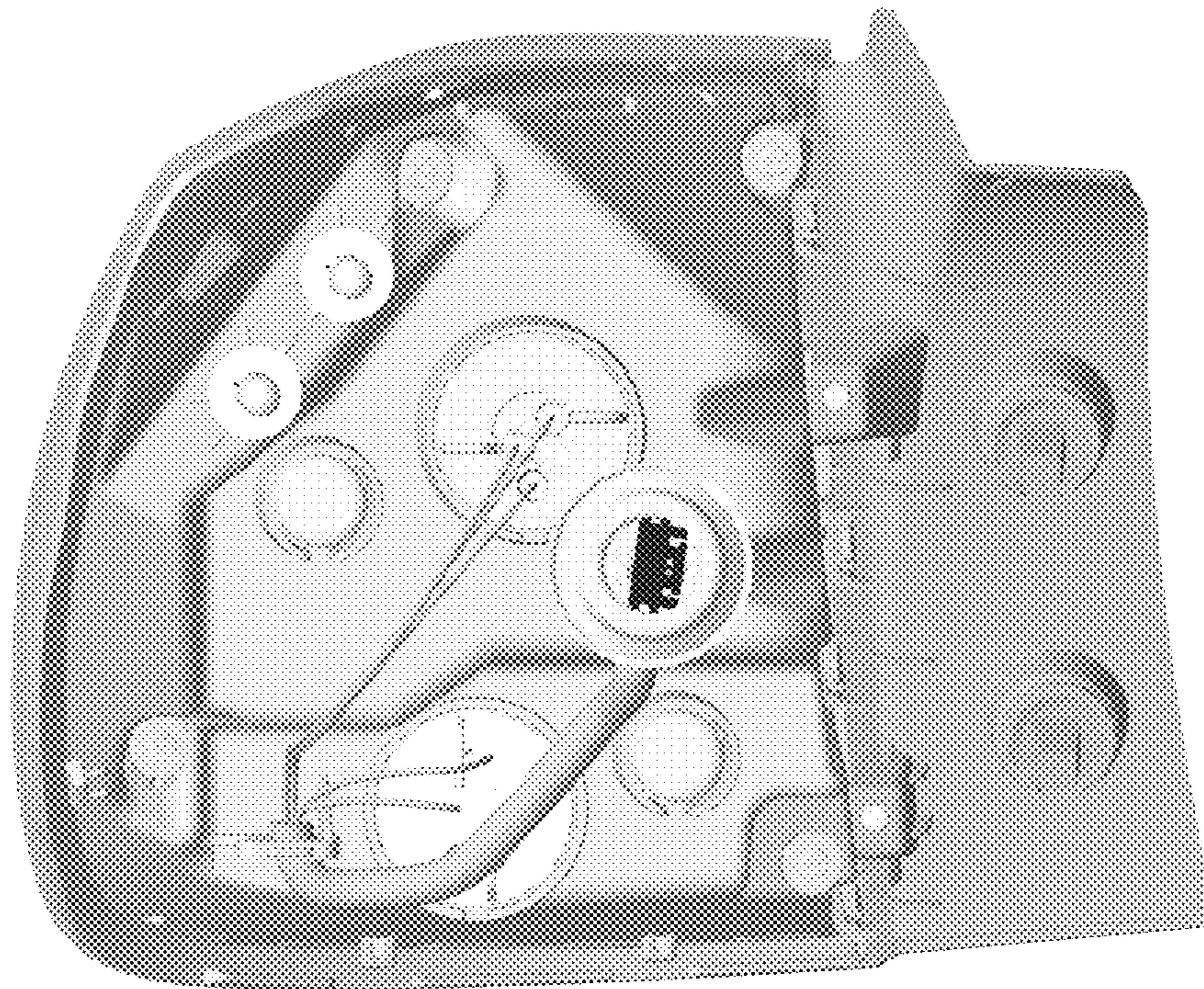
1.1



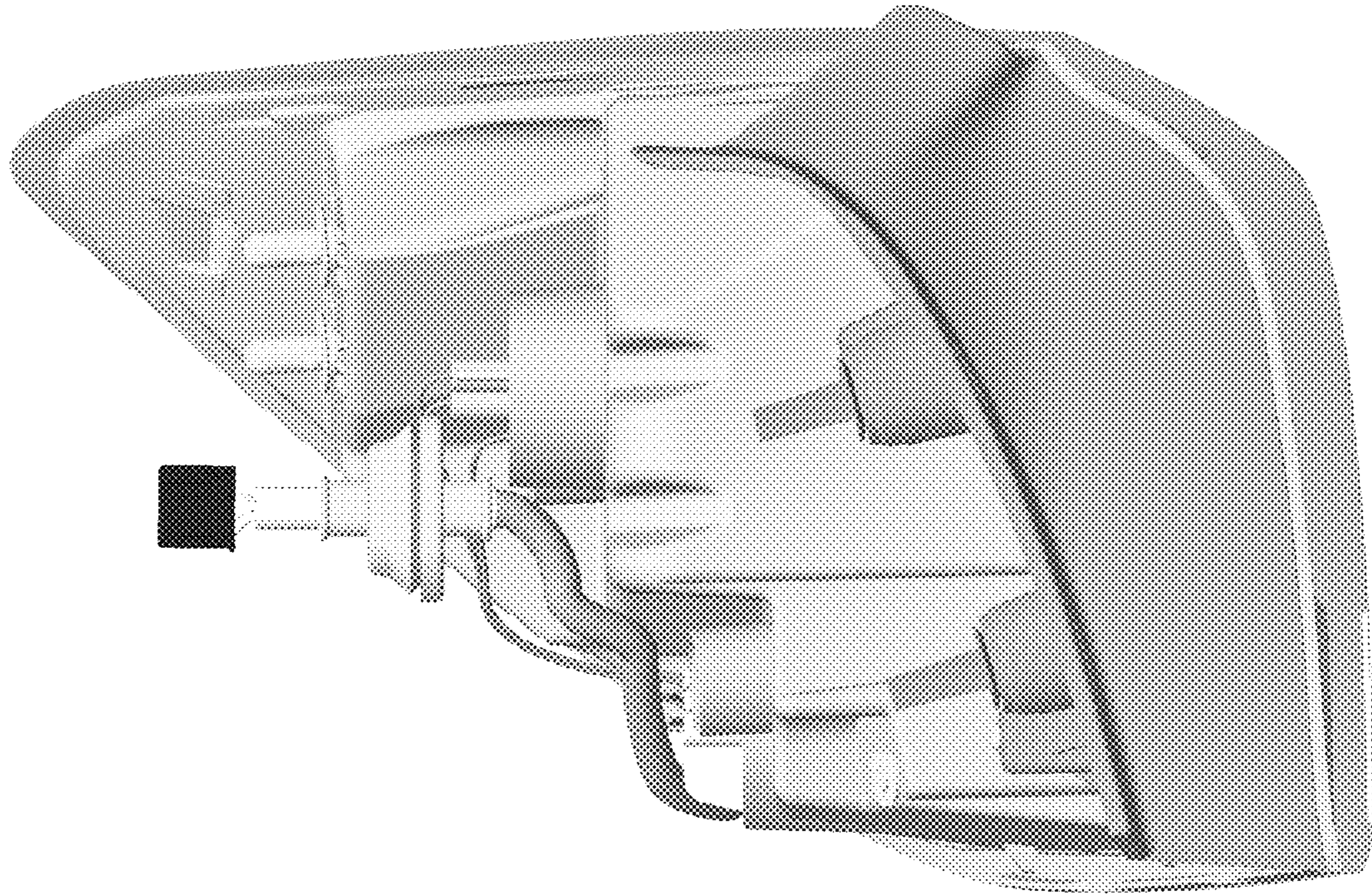
1.2



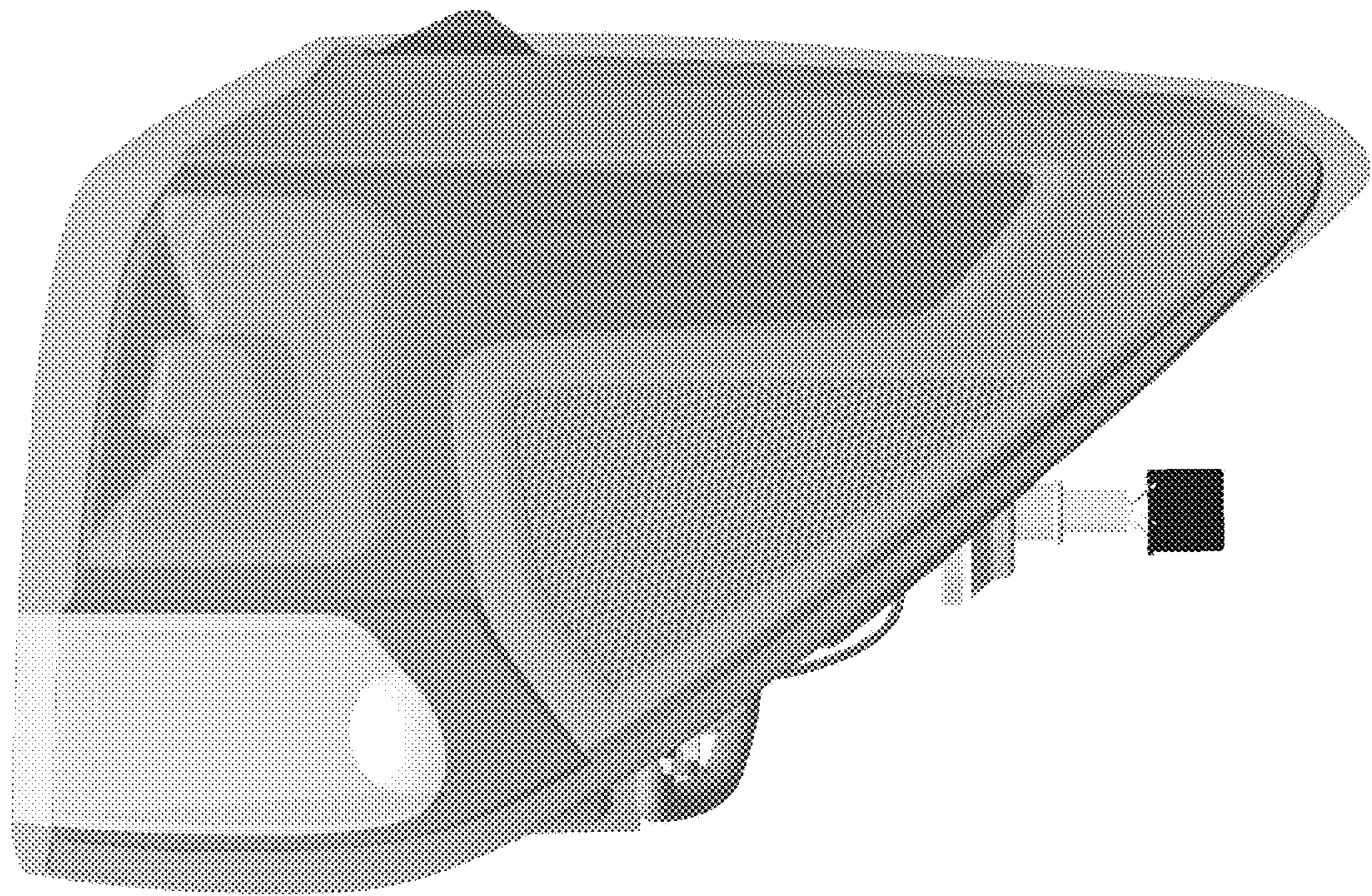
1.3



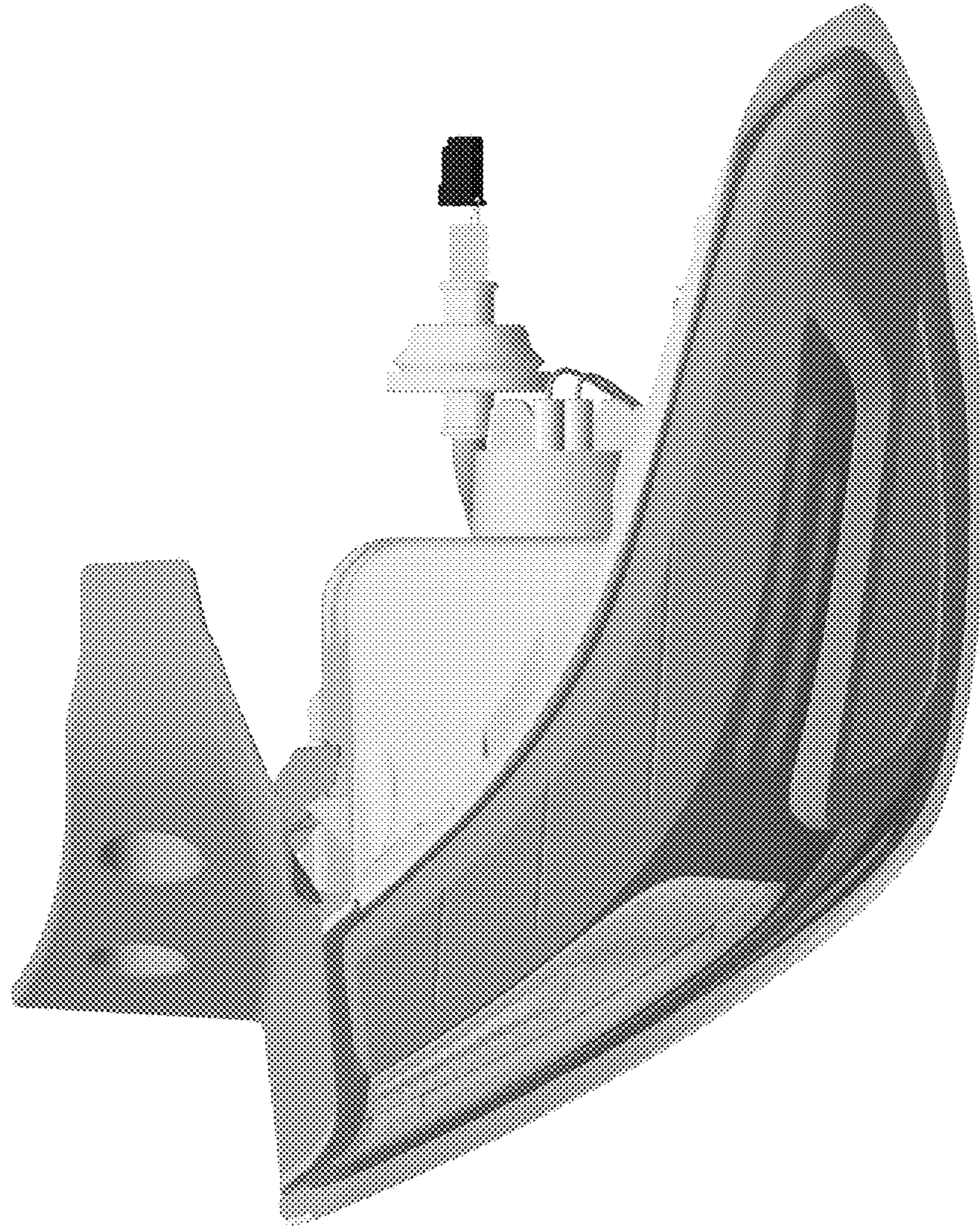
1.4



1.5



1.6



1.7

