



US00D842510S

(12) **United States Design Patent** (10) **Patent No.:** **US D842,510 S**
Kang et al. (45) **Date of Patent:** **** Mar. 5, 2019**

(54) **HEAD LAMP FOR VEHICLE**
(71) Applicant: **KIA MOTORS CORPORATION**,
Seoul (KR)
(72) Inventors: **Seong-Yeop Kang**, Myeongji ocean
(KR); **Sung-Wook Kim**, Gunpo-si (KR)
(73) Assignee: **Kia Motors Corporation**, Seoul (KR)
(**) Term: **15 Years**
(21) Appl. No.: **35/502,822**
(22) Filed: **Oct. 17, 2016**
(80) **Hague Agreement Data**
Int. Filing Date: **Oct. 17, 2016**
Int. Reg. No.: **DM/093160**
Int. Reg. Date: **Oct. 17, 2016**
Int. Reg. Pub. Date: **Apr. 21, 2017**

(30) **Foreign Application Priority Data**
Aug. 29, 2016 (KR) 30-2016-0042023
(51) **LOC (11) Cl.** **26-06**
(52) **U.S. Cl.**
USPC **D26/28**
(58) **Field of Classification Search**
USPC D26/28-36
CPC F21S 48/00; F21S 48/10; F21S 48/115;
F21S 48/225; F21S 48/228; F21S
48/1233; F21S 48/1266; F21S 48/1388;
F21S 48/2266; F21V 21/04; B60Q 1/30;
B60Q 1/2607; B60Q 1/2696; B62J 6/00;
B62J 6/04
See application file for complete search history.

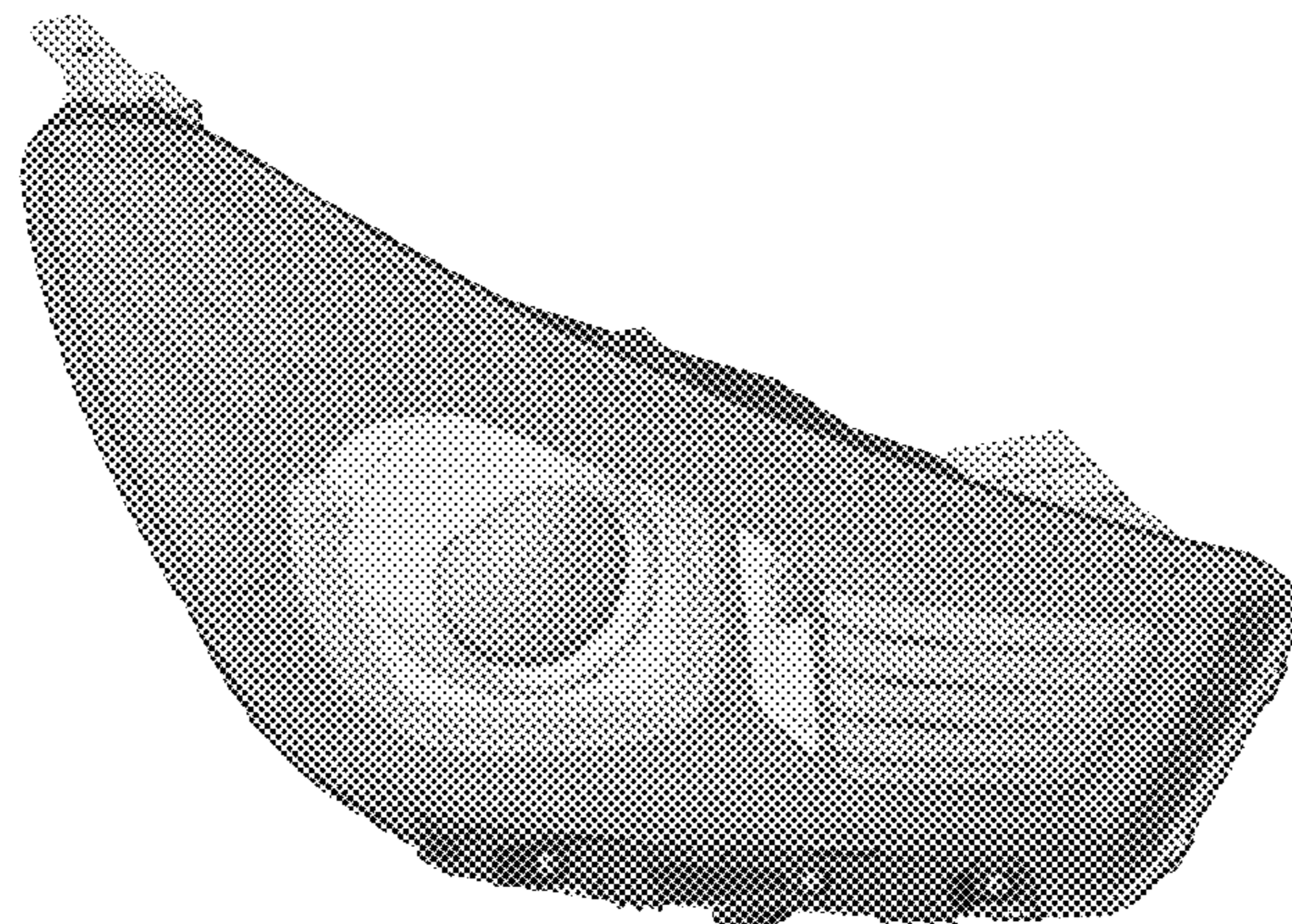
(56) **References Cited**
U.S. PATENT DOCUMENTS
D806,919 S * 1/2018 Hatton D26/28
D808,048 S * 1/2018 Hannemann D26/28
D809,167 S * 1/2018 Chi D26/28
D810,974 S * 2/2018 Sato D26/28
D812,270 S * 3/2018 Minamiyama D26/28
D812,271 S * 3/2018 Katagiri D26/28
D812,273 S * 3/2018 Wu D26/28
D812,274 S * 3/2018 Wu D26/28
D812,275 S * 3/2018 Wu D26/28

* cited by examiner
Primary Examiner — Zenia I Bennett
(74) *Attorney, Agent, or Firm* — Mintz Levin Cohn Ferris
Glovsky and Popeo, P.C.; Kongsik Kim; Jhongwoo Jay
Peck

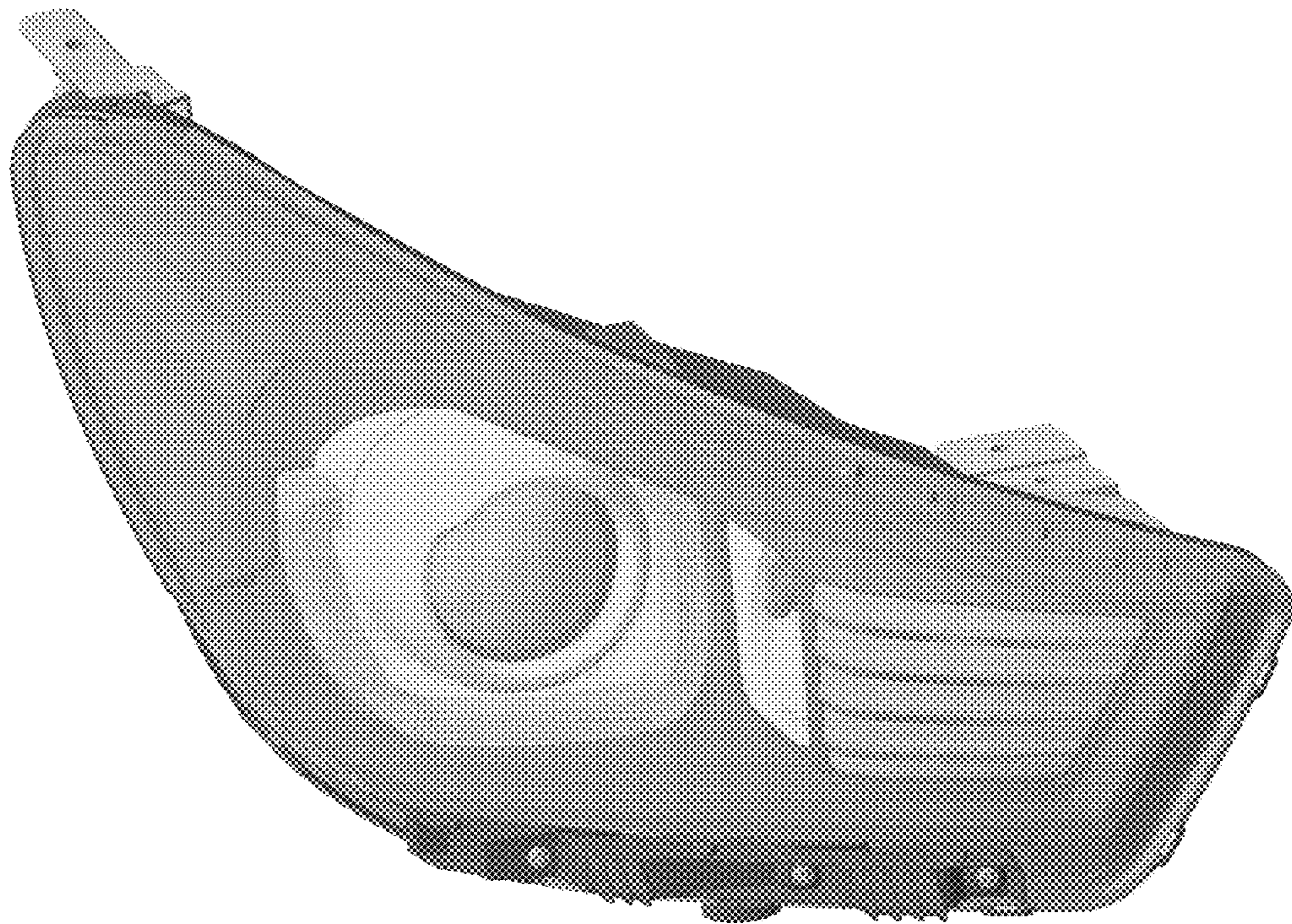
(57) **CLAIM**
The ornamental design for a head lamp for vehicle, as shown
and described.

DESCRIPTION
1. Head lamp for vehicle
1.1 : Perspective
1.2 : Front
1.3 : Back
1.4 : Left
1.5 : Right
1.6 : Top
1.7 : Bottom
This article is installed to the left and right sides of the front
of a vehicle to secure a driver's visibility at night or in case
of rain; as appeared in the perspective drawing, the cover
part of the front of this article and the lamp part inside the
cover part are transparent.

1 Claim, 7 Drawing Sheets



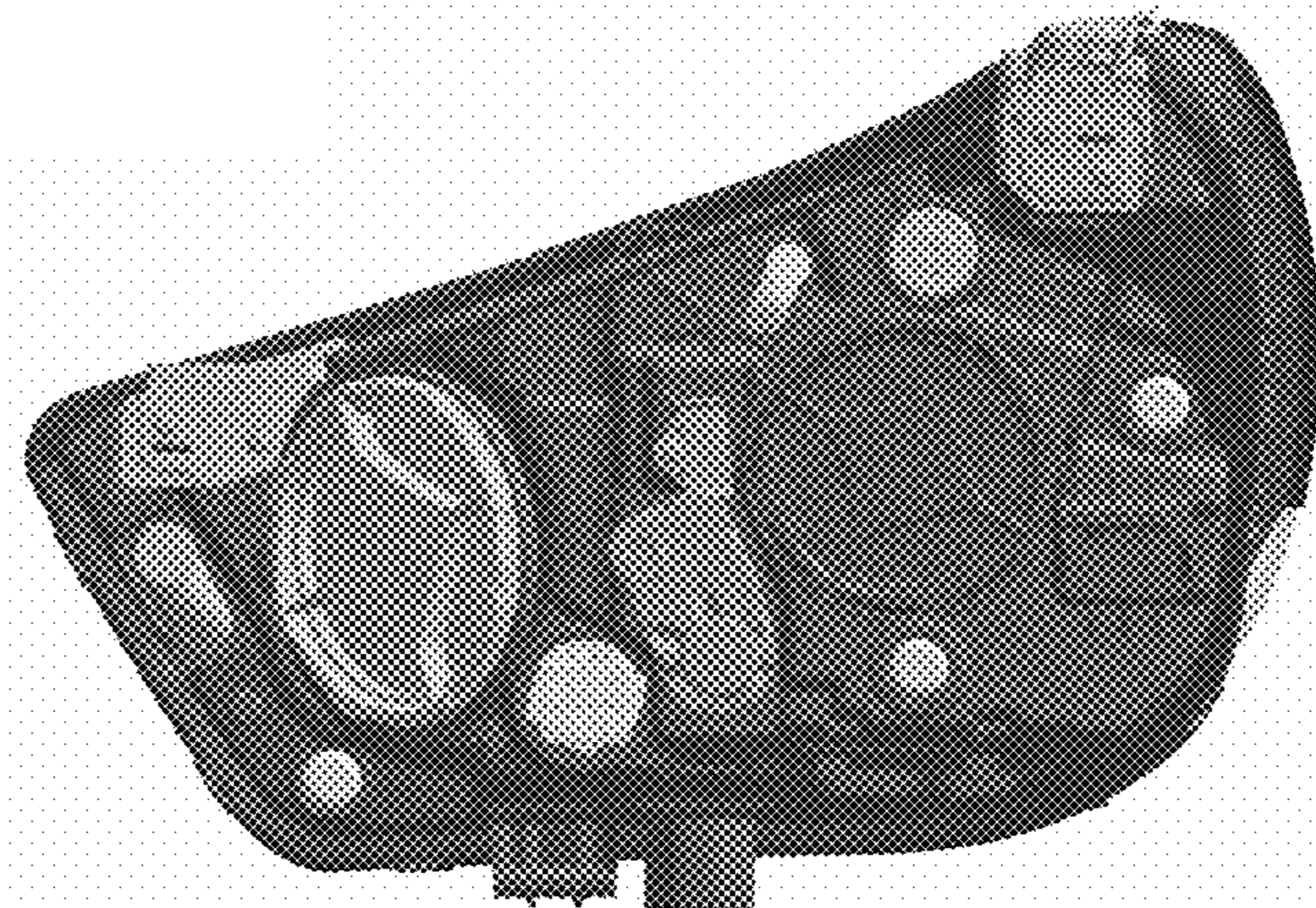
1.1



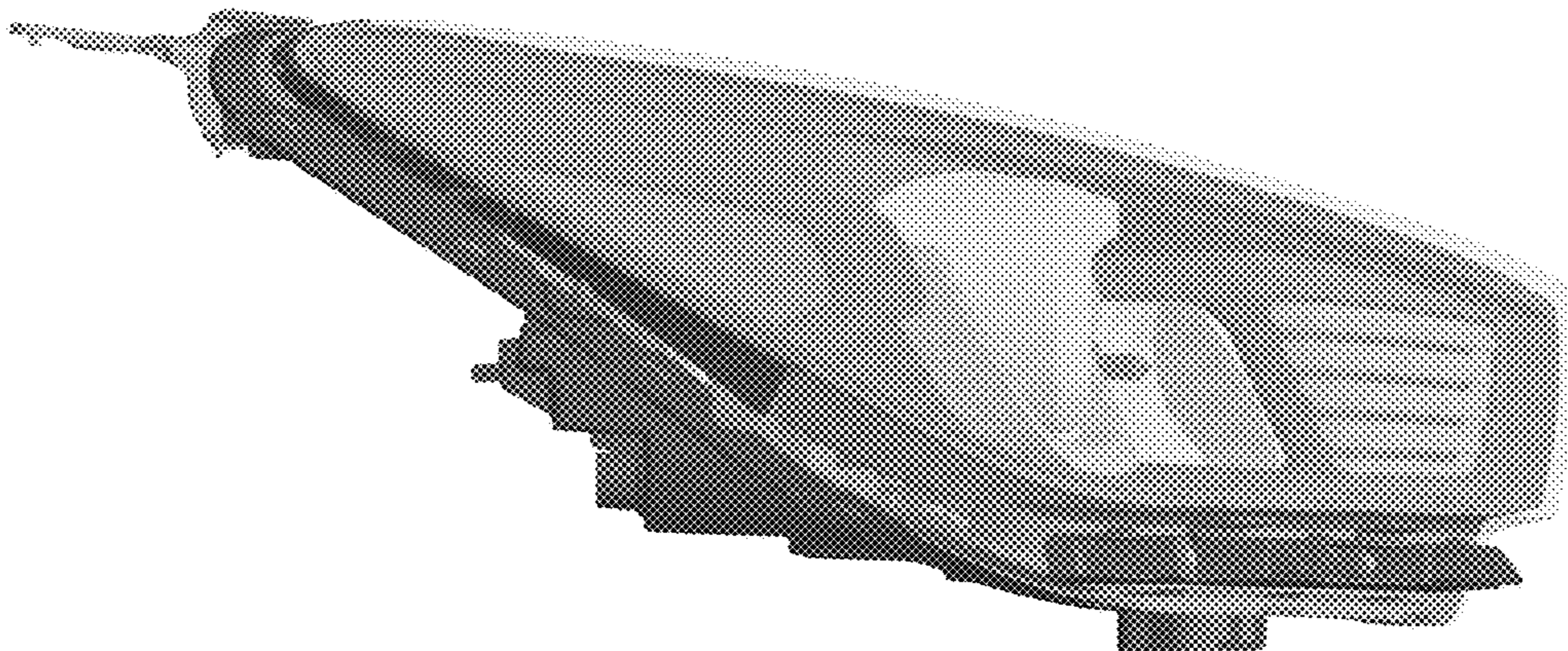
1.2



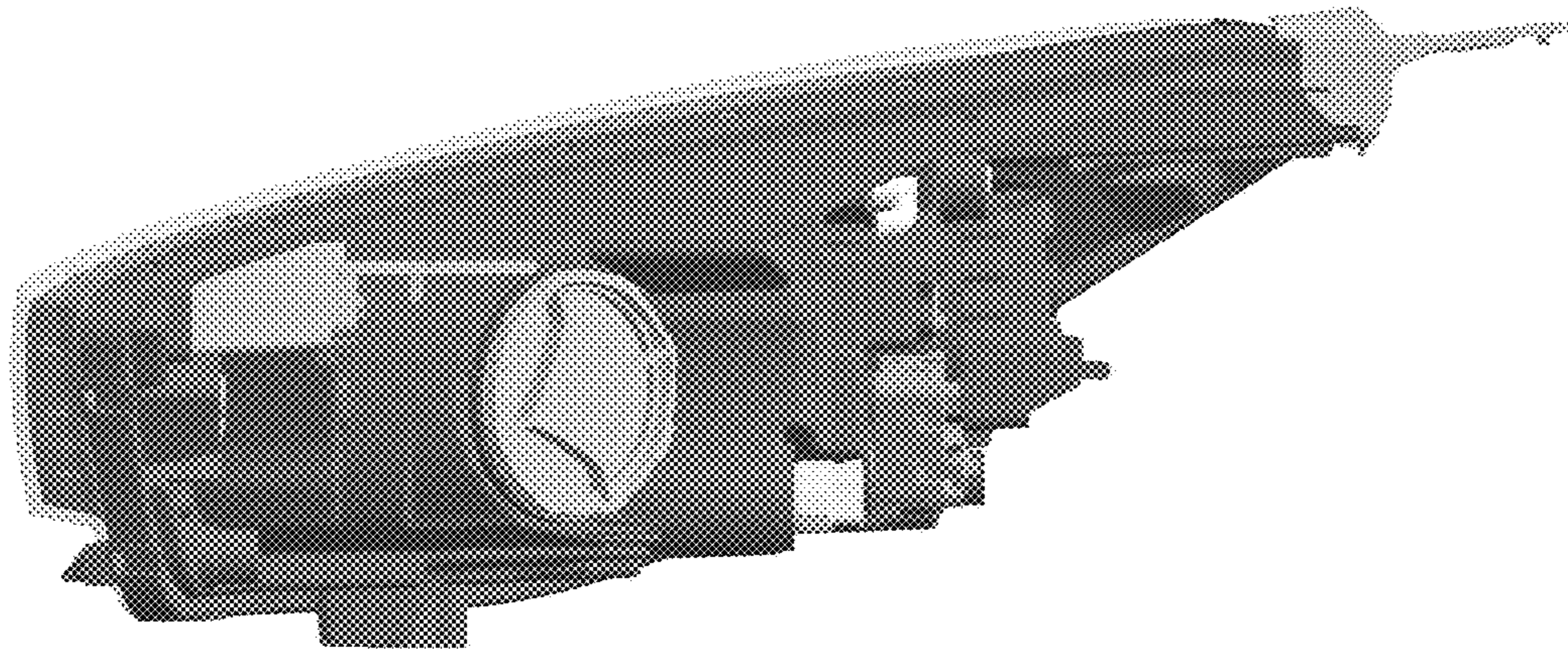
1.3



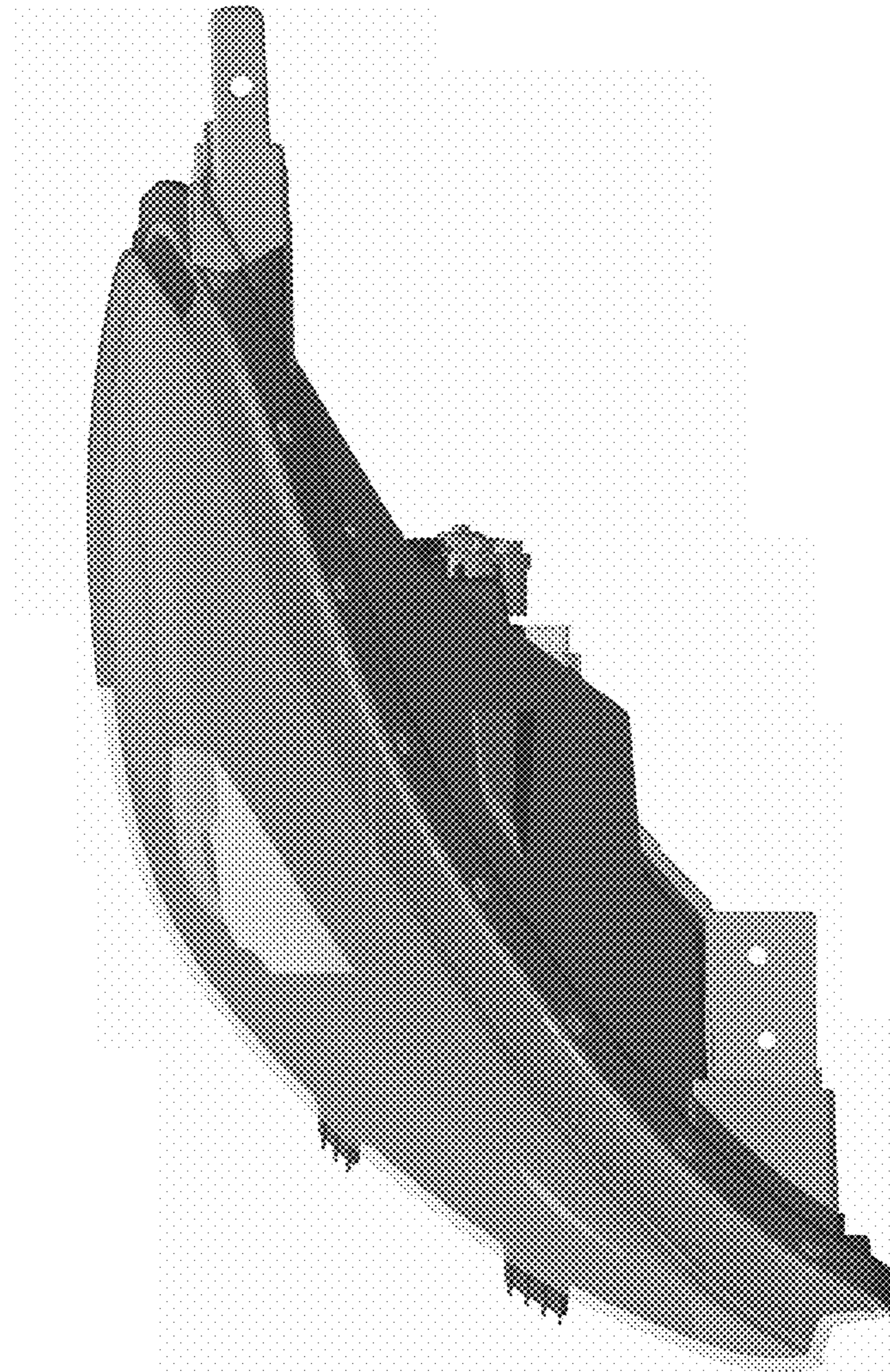
1.4



1.5



1.6



1.7

