



US00D842509S

(12) **United States Design Patent** (10) **Patent No.:** **US D842,509 S**
Yoon et al. (45) **Date of Patent:** **** Mar. 5, 2019**

(54) **REAR COMBINATION LAMP FOR VEHICLES**

(71) Applicant: **KIA MOTORS CORPORATION**,
Seoul (KR)
(72) Inventors: **Kitae Yoon**, Hwaseong-si (KR);
Sungwook Kim, Gunpo-si (KR)
(73) Assignee: **Kia Motors Corporation**, Seoul (KR)
(**) Term: **15 Years**

(21) Appl. No.: **35/502,802**
(22) Filed: **Mar. 23, 2017**

(80) **Hague Agreement Data**
Int. Filing Date: **Mar. 23, 2017**
Int. Reg. No.: **DM/095483**
Int. Reg. Date: **Mar. 23, 2017**
Int. Reg. Pub. Date: **Apr. 14, 2017**

(51) **LOC (11) Cl.** **26-06**
(52) **U.S. Cl.**
USPC **D26/28**
(58) **Field of Classification Search**
USPC D26/28-36
CPC F21S 48/00; F21S 48/10; F21S 48/115;
F21S 48/225; F21S 48/1233; F21S
48/1266; F21S 48/1388; F21S 48/2266;
F21V 21/04; B60Q 1/30; B60Q 1/2607;
B60Q 1/2696; B62J 6/00; B62J 6/04
See application file for complete search history.

(56) **References Cited**

U.S. PATENT DOCUMENTS

D803,438 S *	11/2017	Badstuebner	D26/28
D803,439 S *	11/2017	Oh	D26/28
D806,921 S *	1/2018	Ryu	D26/28
D807,547 S *	1/2018	Lin	D26/28
D810,974 S *	2/2018	Sato	D26/28
D811,633 S *	2/2018	Gould	D26/28
D812,263 S *	3/2018	Minamiyama	D26/28
D812,264 S *	3/2018	Minamiyama	D26/28
D812,789 S *	3/2018	Dos Santos	D26/28

* cited by examiner

Primary Examiner — Zenia I Bennett

(74) *Attorney, Agent, or Firm* — Mintz Levin Cohn Ferris
Glovsky and Popeo, P.C.; Kongsik Kim; Jhongwoo Jay
Peck

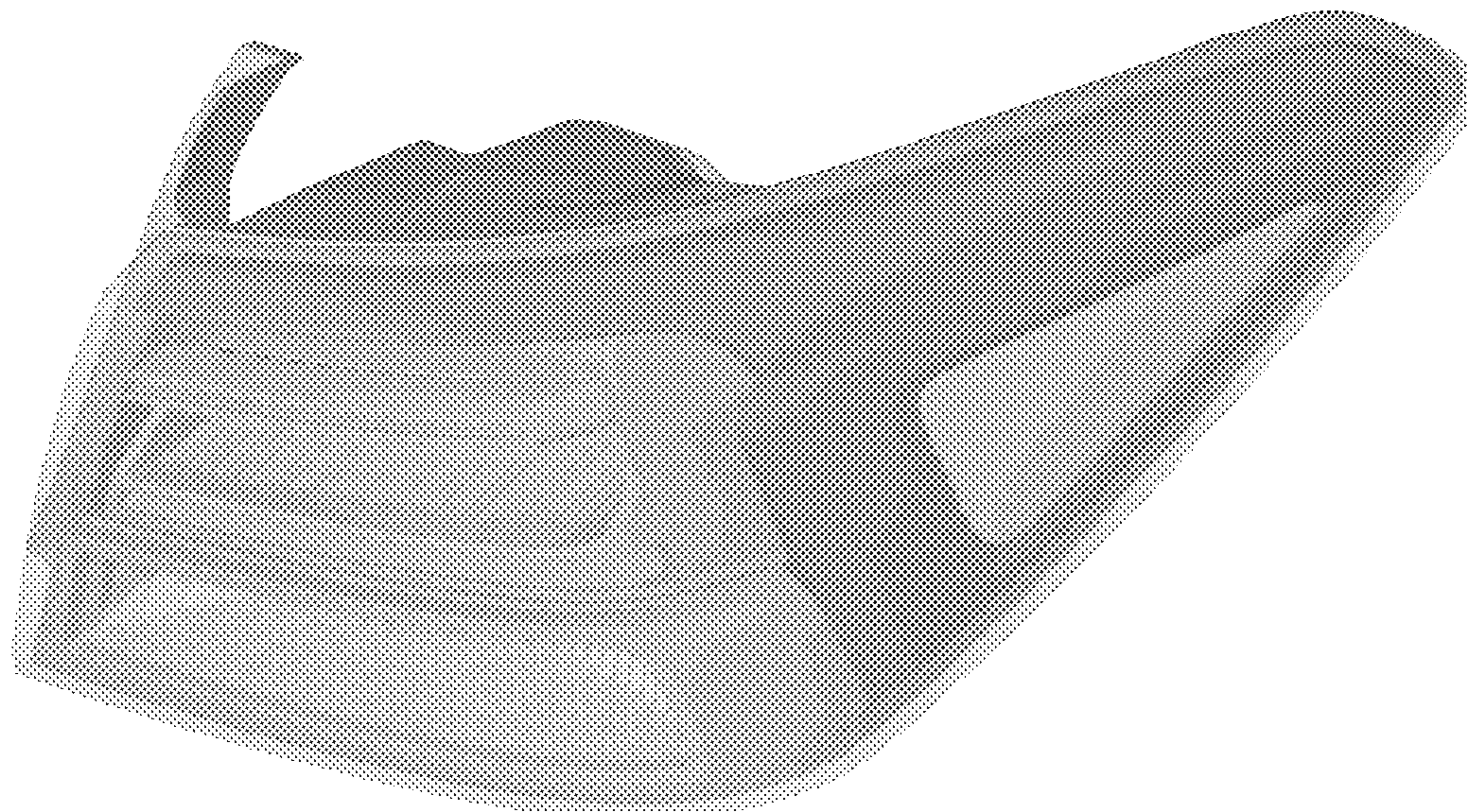
(57) **CLAIM**

The ornamental design for a rear combination lamp for
vehicles, as shown and described.

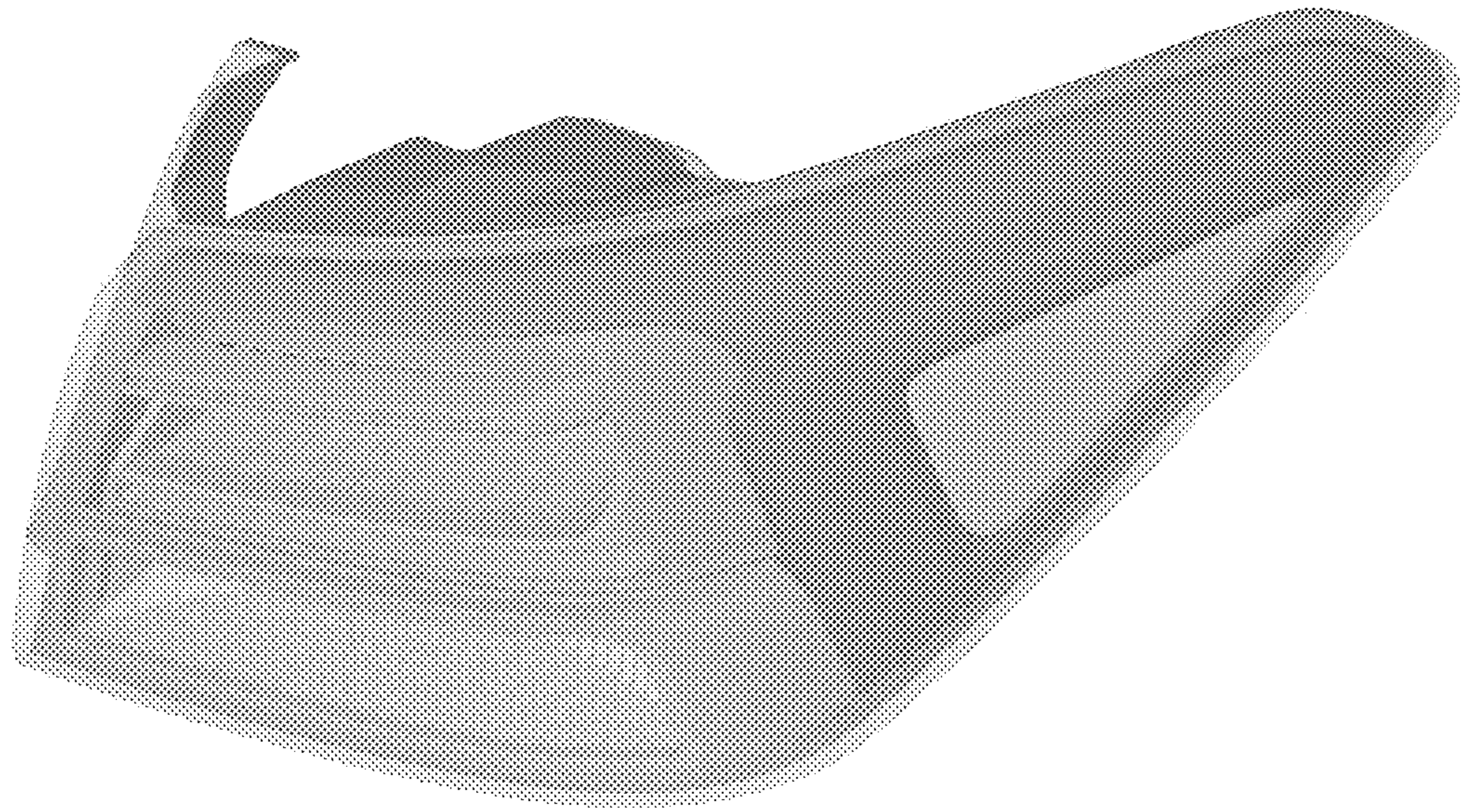
DESCRIPTION

- 1. Rear combination lamp for vehicles
- 1.1 : Perspective
- 1.2 : Front
- 1.3 : Back
- 1.4 : Left
- 1.5 : Right
- 1.6 : Top
- 1.7 : Bottom

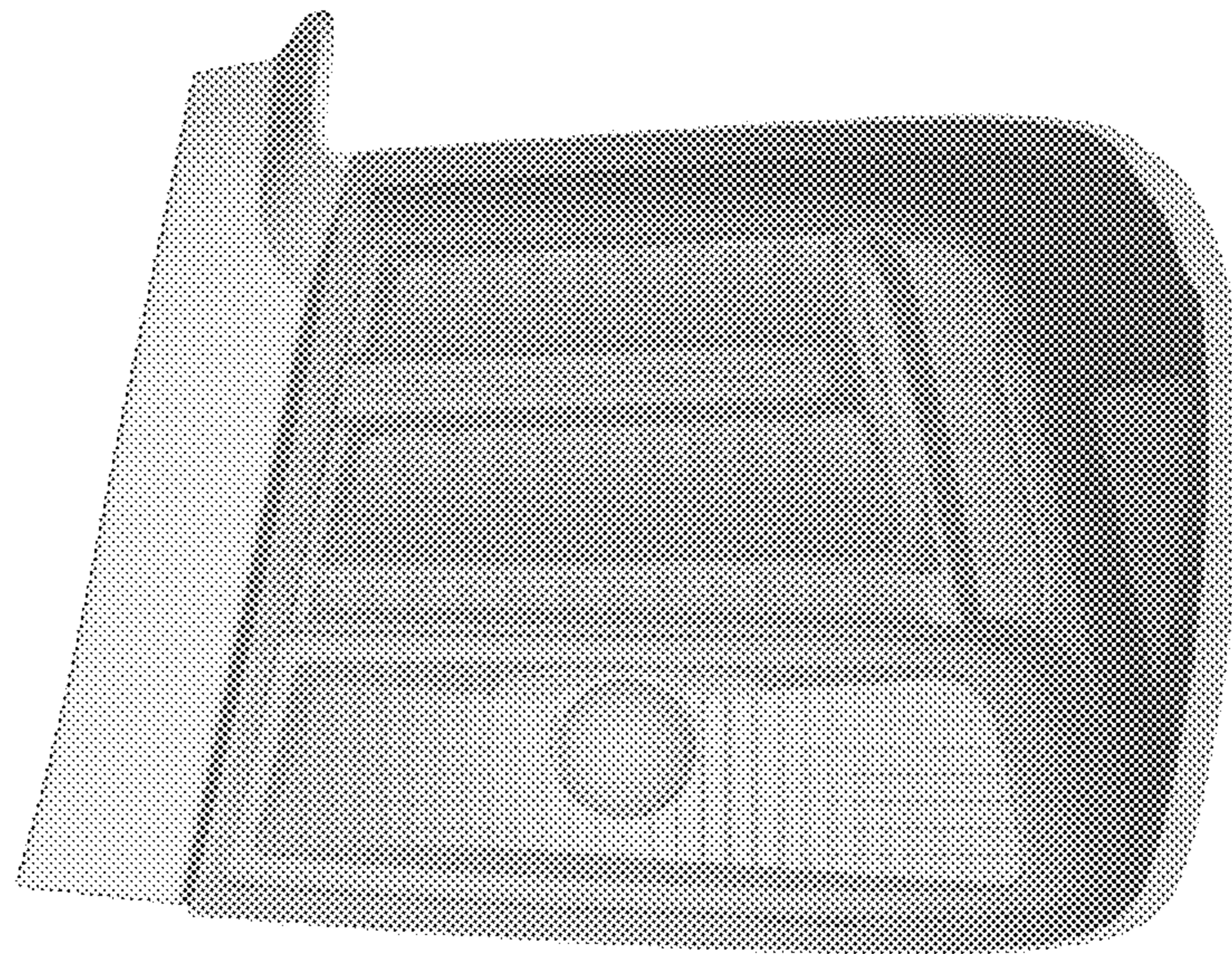
1 Claim, 7 Drawing Sheets



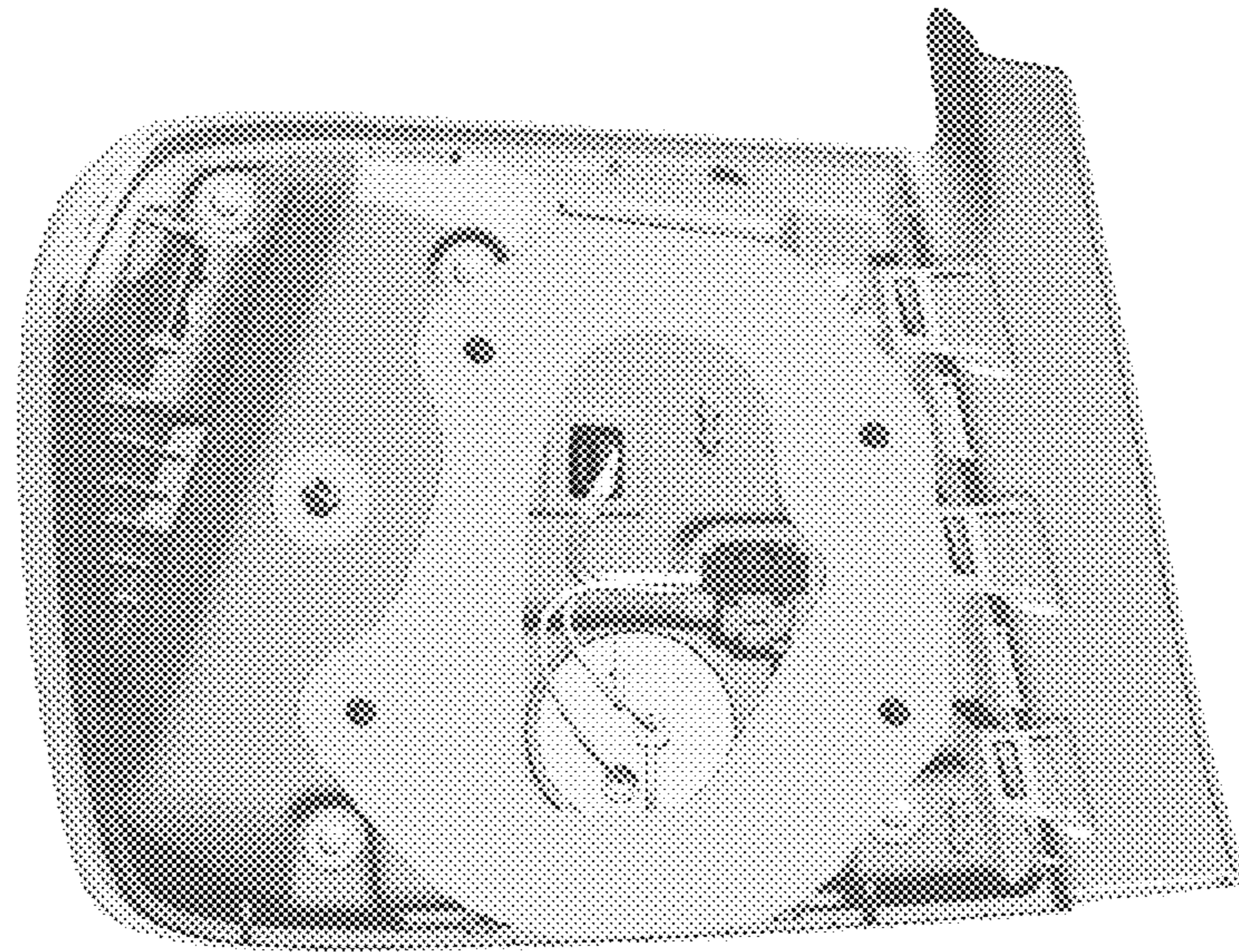
1.1



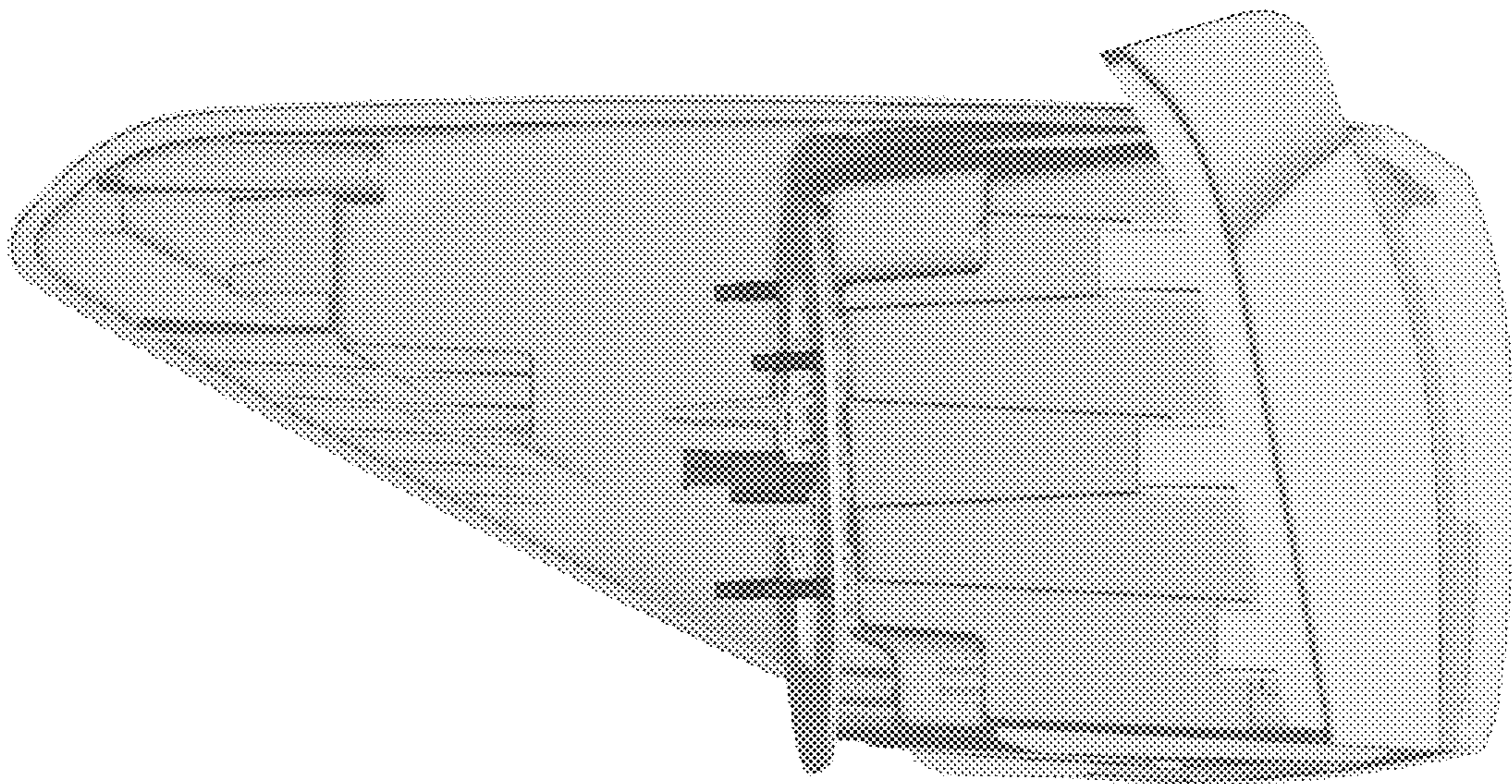
1.2



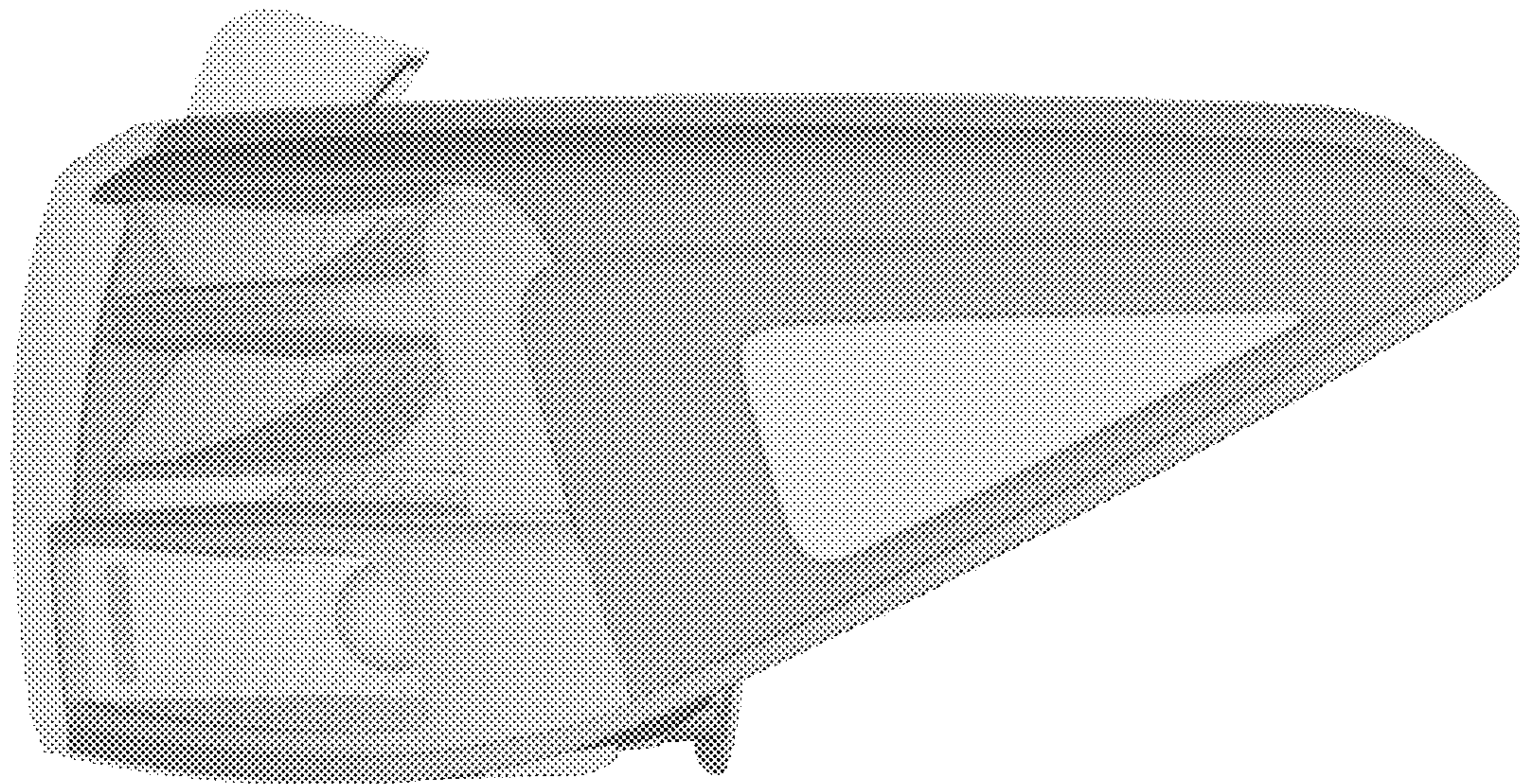
1.3



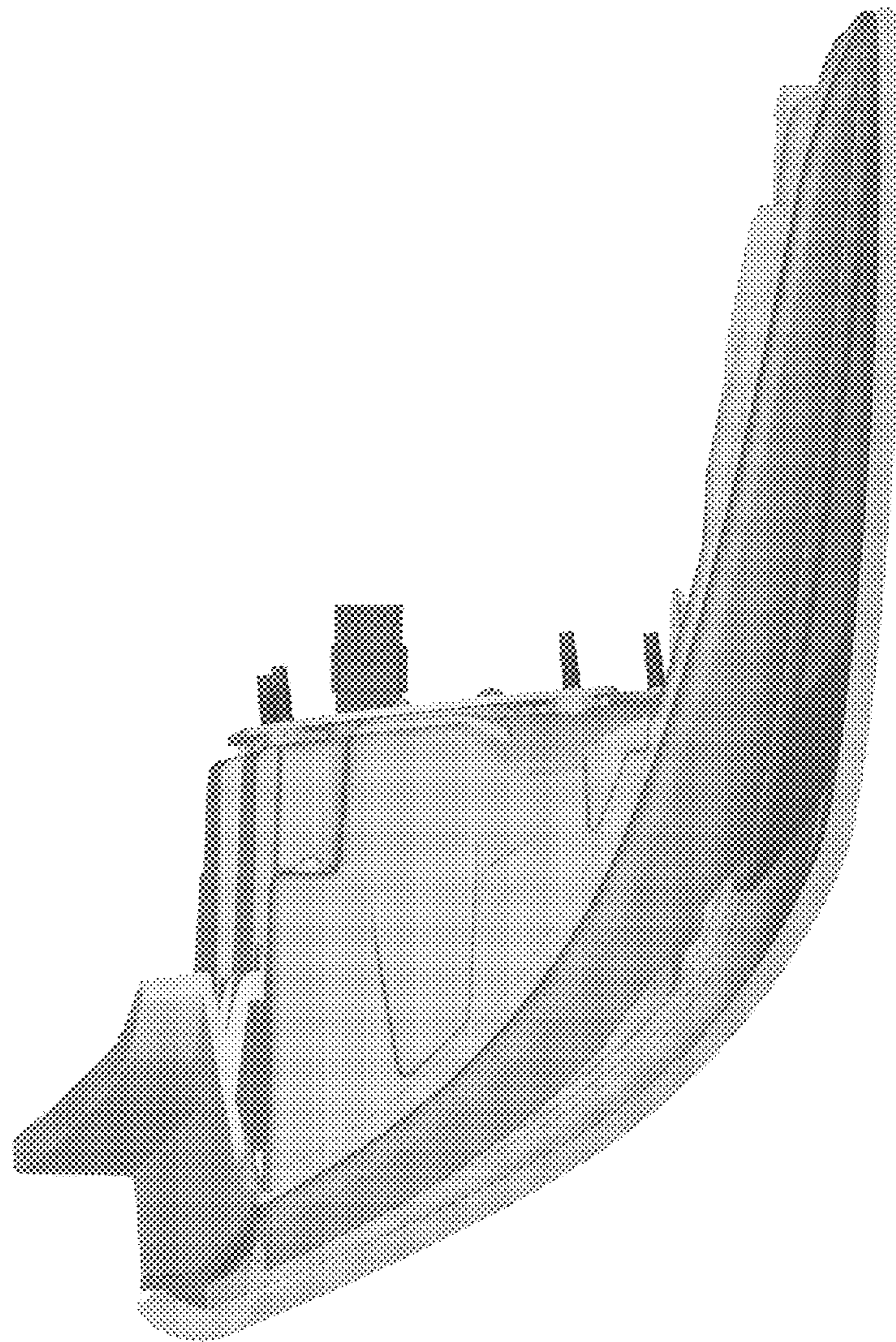
1.4



1.5



1.6



1.7

