



US00D842508S

(12) **United States Design Patent** (10) **Patent No.:** **US D842,508 S**
Kim et al. (45) **Date of Patent:** **** Mar. 5, 2019**

(54) **REAR COMBINATION LAMP FOR VEHICLES**

(56) **References Cited**

U.S. PATENT DOCUMENTS

(71) Applicant: **HYUNDAI MOTOR COMPANY**,
Seoul (KR)
(72) Inventors: **Jinhyun Kim**, Hwaseong-si (KR);
Bumyoung Song, Seoul (KR)
(73) Assignee: **Hyundai Motor Company**, Seoul (KR)

D806,919 S * 1/2018 Hatton D26/28
D806,921 S * 1/2018 Ryu D26/28
D808,048 S * 1/2018 Hannemann D26/28
D810,974 S * 2/2018 Sato D26/28
D810,977 S * 2/2018 Piscitelli D26/28
D811,633 S * 2/2018 Gould D26/28
D812,271 S * 3/2018 Katagiri D26/28
D812,273 S * 3/2018 Wu D26/28
D812,792 S * 3/2018 Jae D26/28

(**) Term: **15 Years**

* cited by examiner

(21) Appl. No.: **35/502,756**

Primary Examiner — Zenia I Bennett

(22) Filed: **Oct. 7, 2016**

(74) *Attorney, Agent, or Firm* — Mintz Levin Cohn Ferris
Glovsky and Popeo, P.C.; Kongsik Kim; Jhongwoo Jay
Peck

(80) **Hague Agreement Data**

Int. Filing Date: **Oct. 7, 2016**
Int. Reg. No.: **DM/093156**
Int. Reg. Date: **Oct. 7, 2016**
Int. Reg. Pub. Date: **Apr. 7, 2017**

(57) **CLAIM**

The ornamental design for a rear combination lamp for vehicles, as shown and described.

(30) **Foreign Application Priority Data**

Jun. 30, 2016 (KR) 30-2016-0031827

(51) **LOC (11) Cl.** **26-06**

(52) **U.S. Cl.**
USPC **D26/28**

(58) **Field of Classification Search**

USPC D26/28-36
CPC F21S 48/00; F21S 48/10; F21S 48/115;
F21S 48/225; F21S 48/1233; F21S
48/1266; F21S 48/1388; F21S 48/2266;
F21V 21/04; B60Q 1/30; B60Q 1/2607;
B60Q 1/2696; B62J 6/00; B62J 6/04

See application file for complete search history.

DESCRIPTION

1. Rear combination lamp for vehicles

1.1 : Perspective

1.2 : Front

1.3 : Back

1.4 : Left

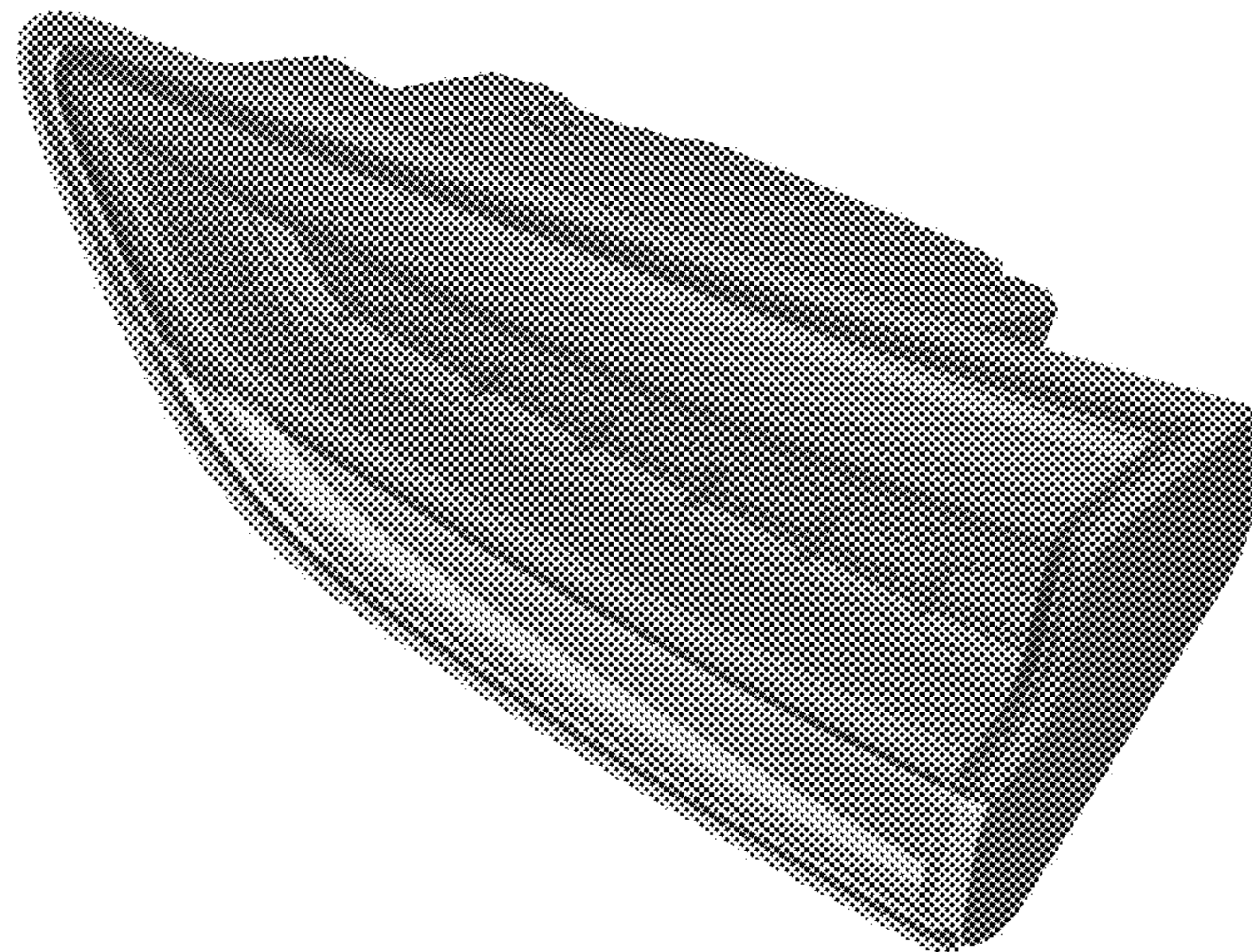
1.5 : Right

1.6 : Top

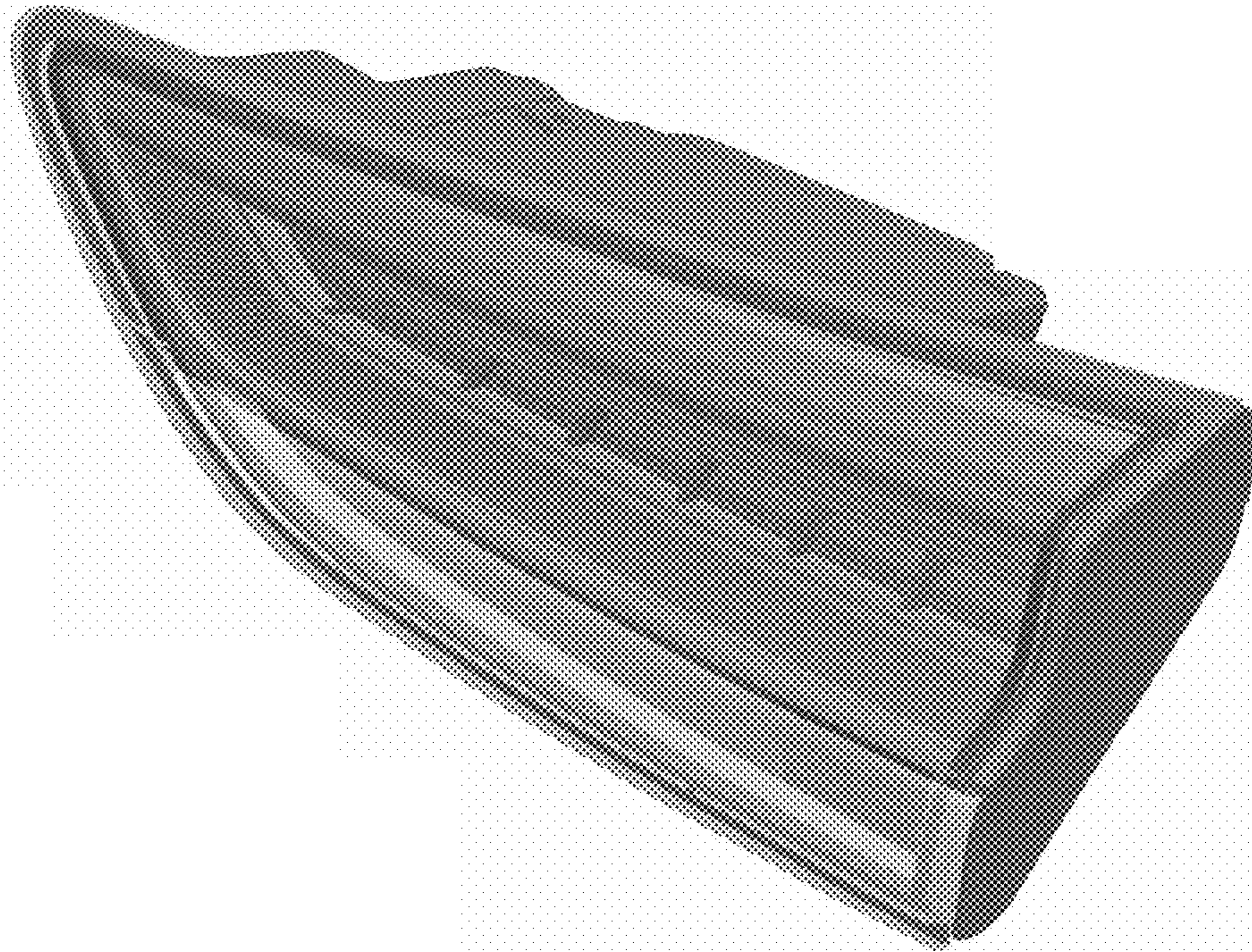
1.7 : Bottom

The article is adhered on to the rear of a vehicle, and it is a combination of a lamp that is turned on the moment that the break is applied and a lamp that is turned on the moment that the reverse gear is applied; as appeared in the perspective drawing, the cover part of the front of this article and the lamp part inside the cover part are transparent.

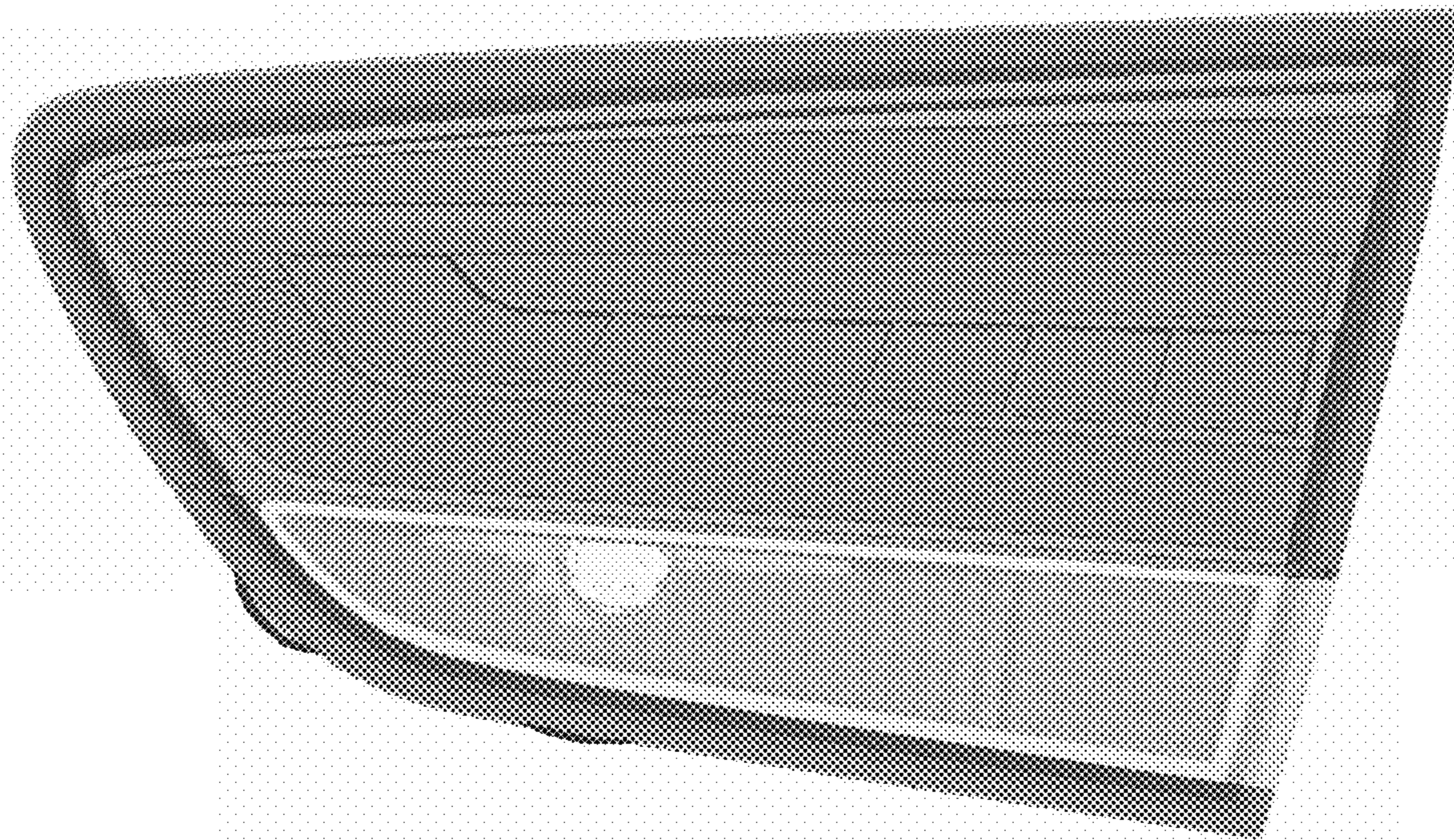
1 Claim, 7 Drawing Sheets



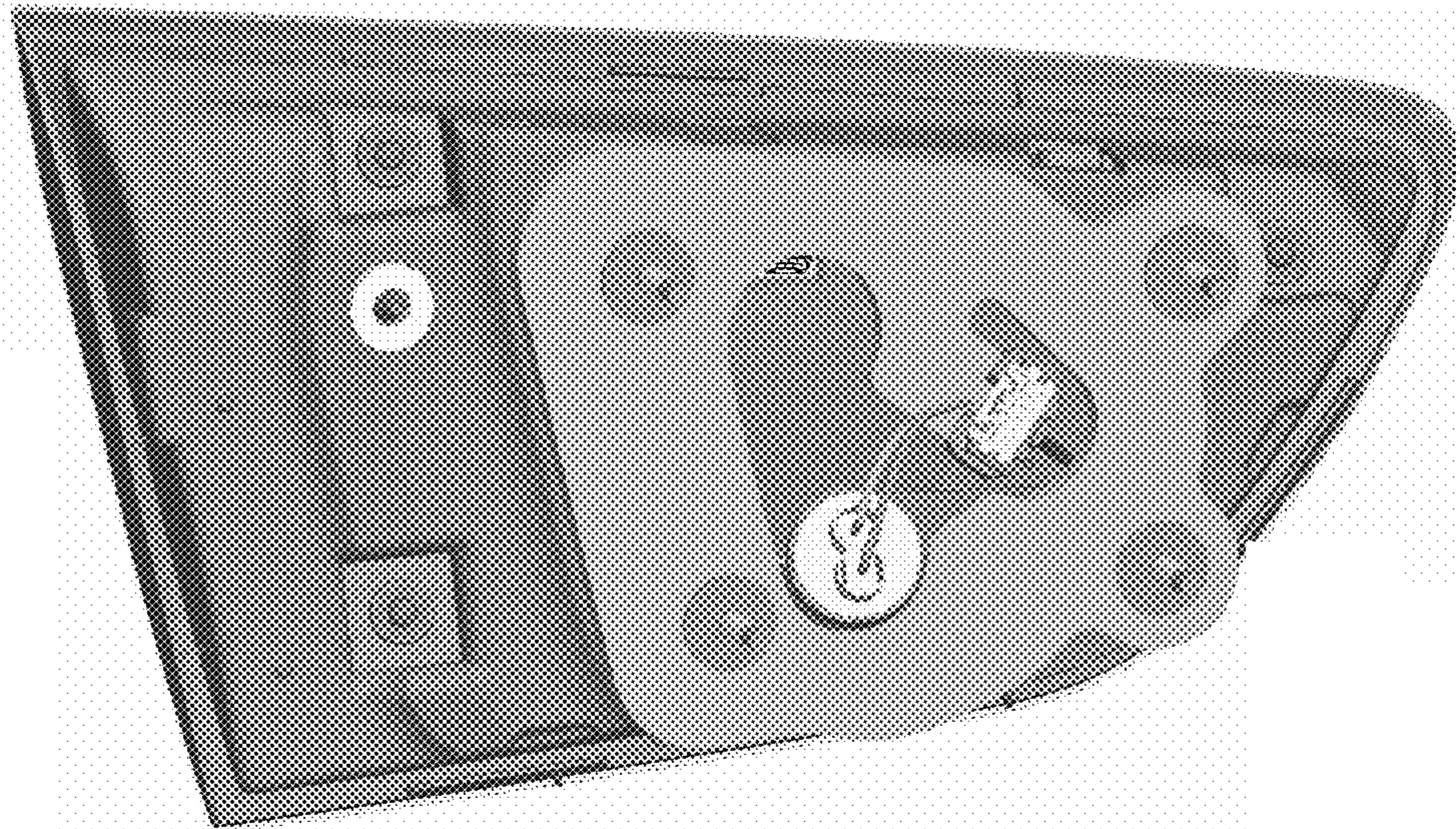
1.1



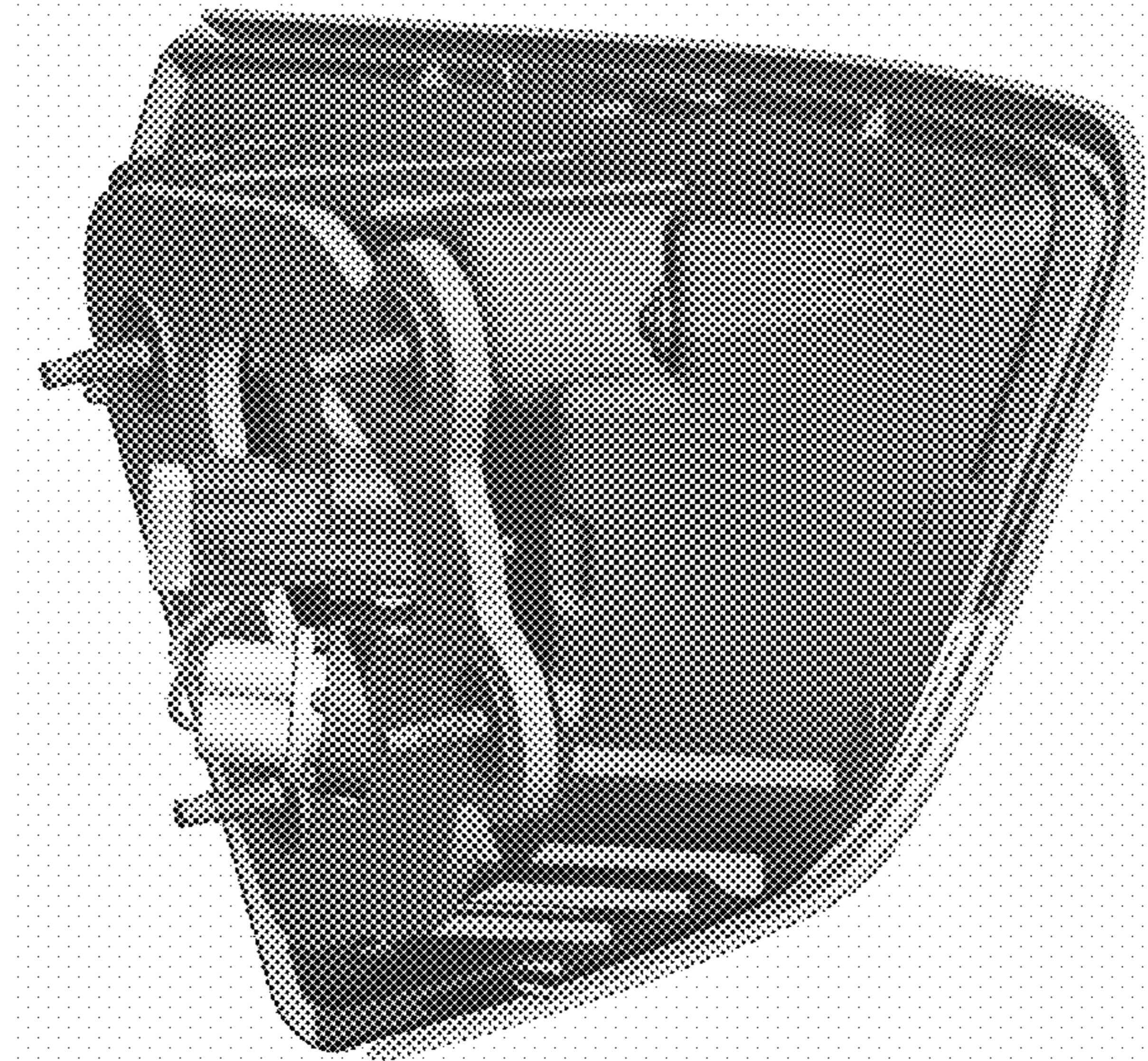
1.2



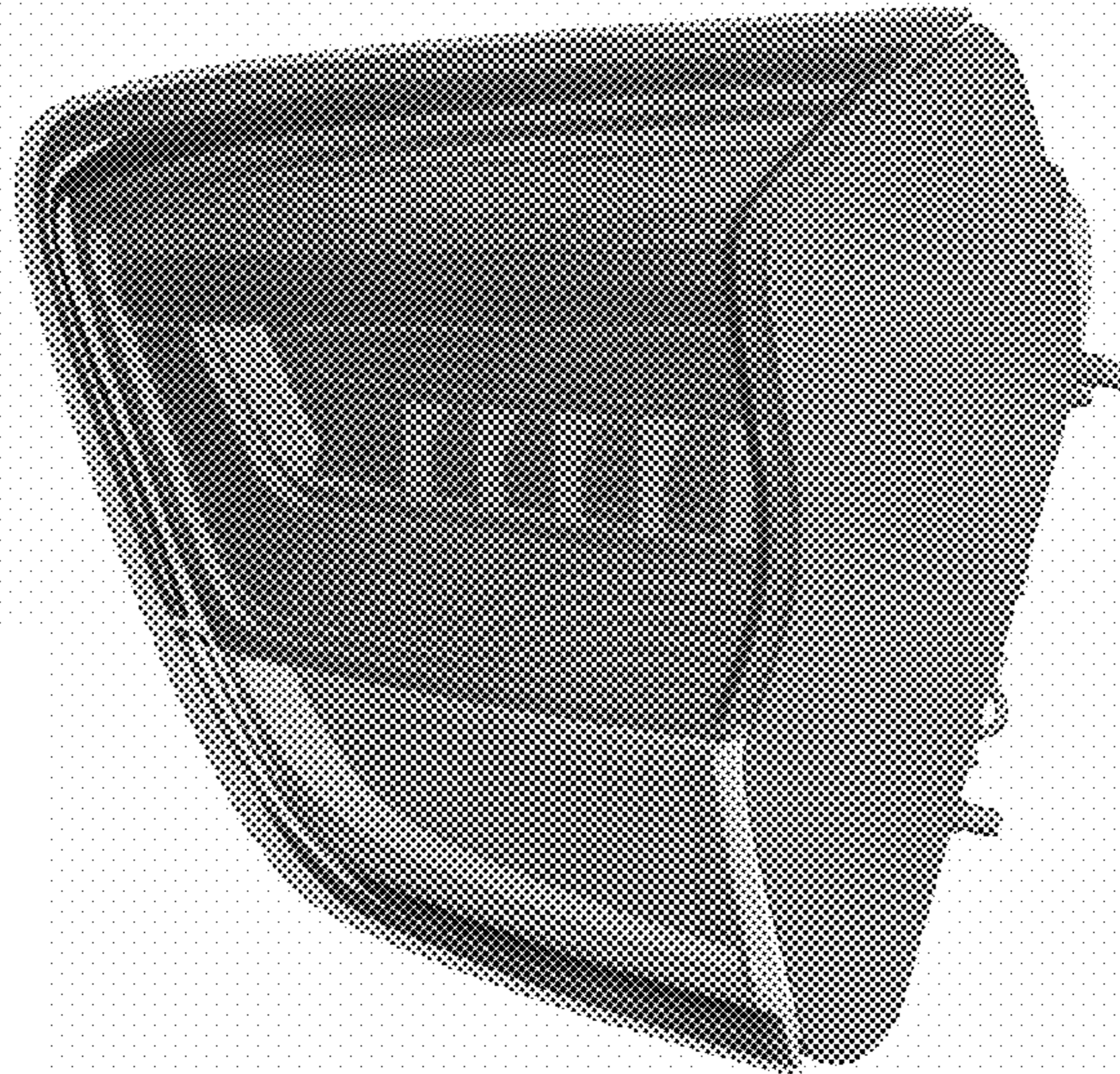
1.3



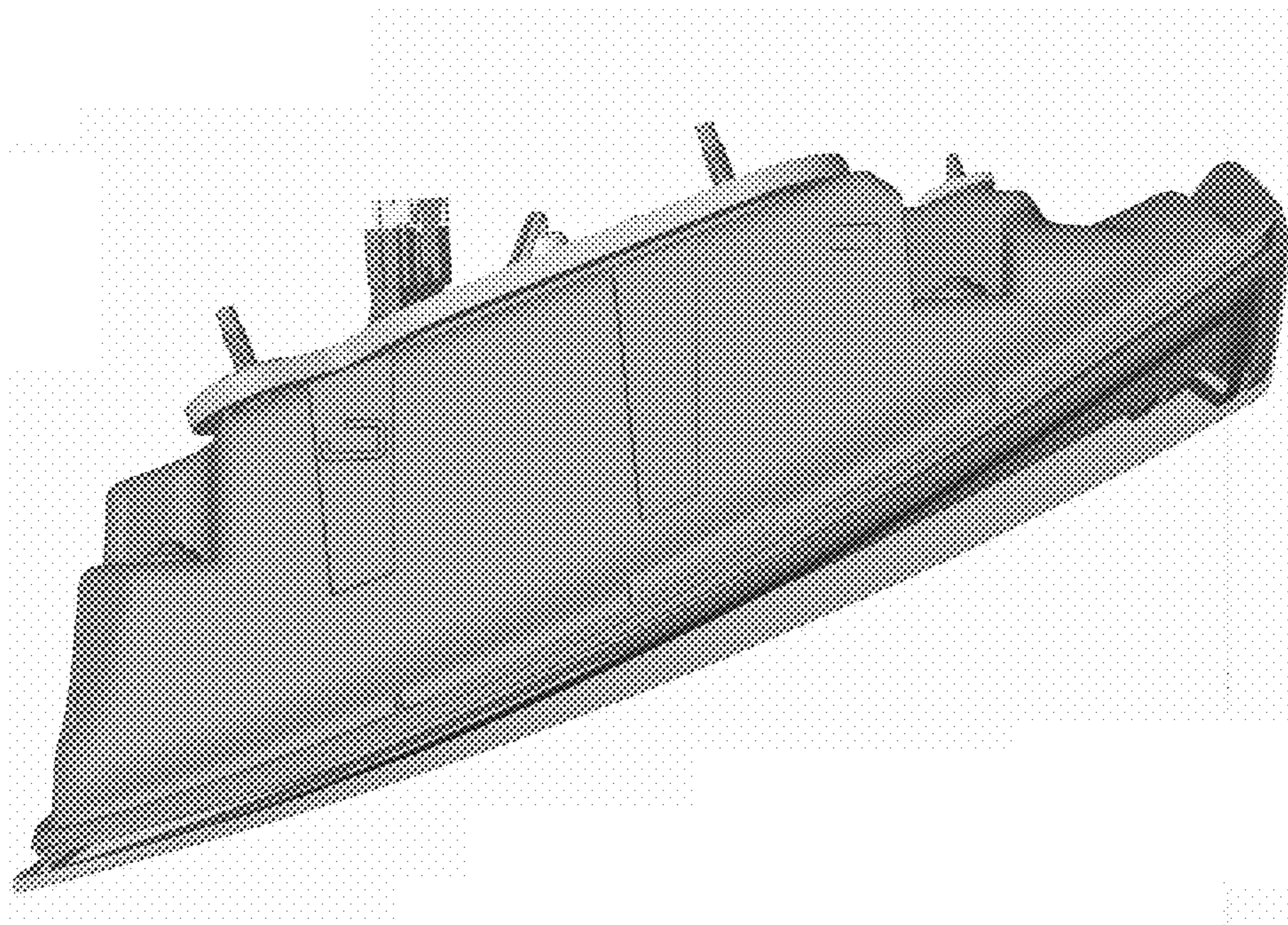
1.4



1.5



1.6



1.7

