



US00D842507S

(12) **United States Design Patent** (10) **Patent No.:** **US D842,507 S**
Kim et al. (45) **Date of Patent:** **** Mar. 5, 2019**

(54) **REAR COMBINATION LAMP FOR VEHICLES**

(56) **References Cited**

U.S. PATENT DOCUMENTS

(71) Applicant: **HYUNDAI MOTOR COMPANY**,
Seoul (KR)
(72) Inventors: **Jinhyun Kim**, Hwaseong-si (KR);
Bumyoung Song, Seoul (KR)
(73) Assignee: **Hyundai Motor Company**, Seoul (KR)

D806,919 S * 1/2018 Hatton D26/28
D808,048 S * 1/2018 Hannemann D26/28
D809,167 S * 1/2018 Chi D26/28
D810,974 S * 2/2018 Sato D26/28
D812,270 S * 3/2018 Minamiyama D26/28
D812,271 S * 3/2018 Katagiri D26/28
D812,273 S * 3/2018 Wu D26/28
D812,274 S * 3/2018 Wu D26/28
D812,275 S * 3/2018 Wu D26/28

(**) Term: **15 Years**

* cited by examiner

(21) Appl. No.: **35/502,754**

Primary Examiner — Zenia I Bennett

(22) Filed: **Oct. 7, 2016**

(74) *Attorney, Agent, or Firm* — Mintz Levin Cohn Ferris
Glovsky and Popeo, P.C.; Kongsik Kim; Jhongwoo Jay
Peck

(80) **Hague Agreement Data**

Int. Filing Date: **Oct. 7, 2016**
Int. Reg. No.: **DM/093069**
Int. Reg. Date: **Oct. 7, 2016**
Int. Reg. Pub. Date: **Apr. 7, 2017**

(57) **CLAIM**

The ornamental design for a rear combination lamp for vehicles, as shown and described.

DESCRIPTION

(30) **Foreign Application Priority Data**

Jun. 30, 2016 (KR) 30-2016-0031826

(51) **LOC (11) Cl.** **26-06**

(52) **U.S. Cl.**
USPC **D26/28**

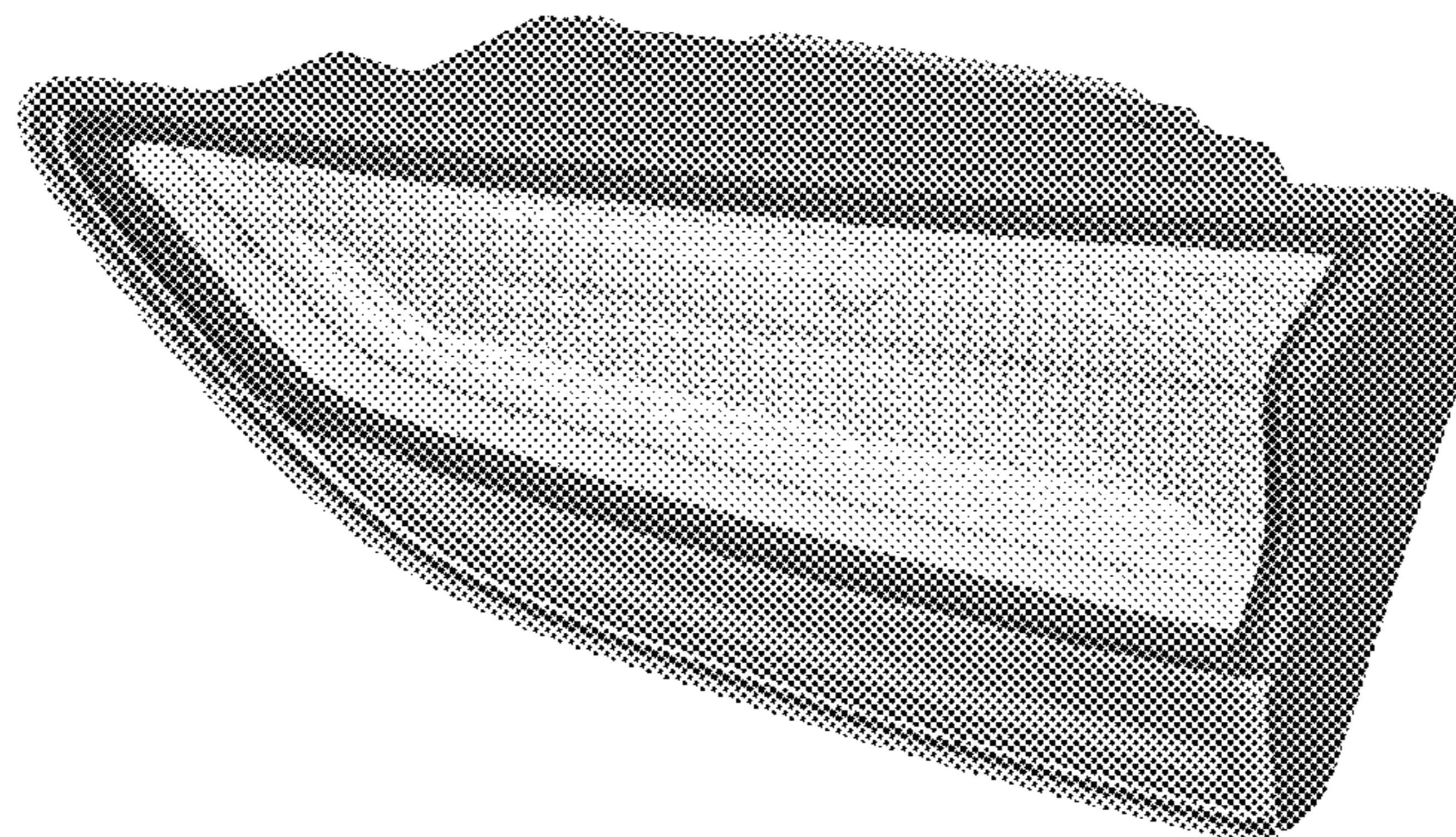
(58) **Field of Classification Search**
USPC D26/28-36
CPC F21S 48/00; F21S 48/10; F21S 48/115;
F21S 48/225; F21S 48/1233; F21S
48/1266; F21S 48/1388; F21S 48/2266;
F21V 21/04; B60Q 1/30; B60Q 1/2607;
B60Q 1/2696; B62J 6/00; B62J 6/04

- 1. Rear combination lamp for vehicles
- 1.1 : Perspective
- 1.2 : Front
- 1.3 : Back
- 1.4 : Left
- 1.5 : Right
- 1.6 : Top
- 1.7 : Bottom

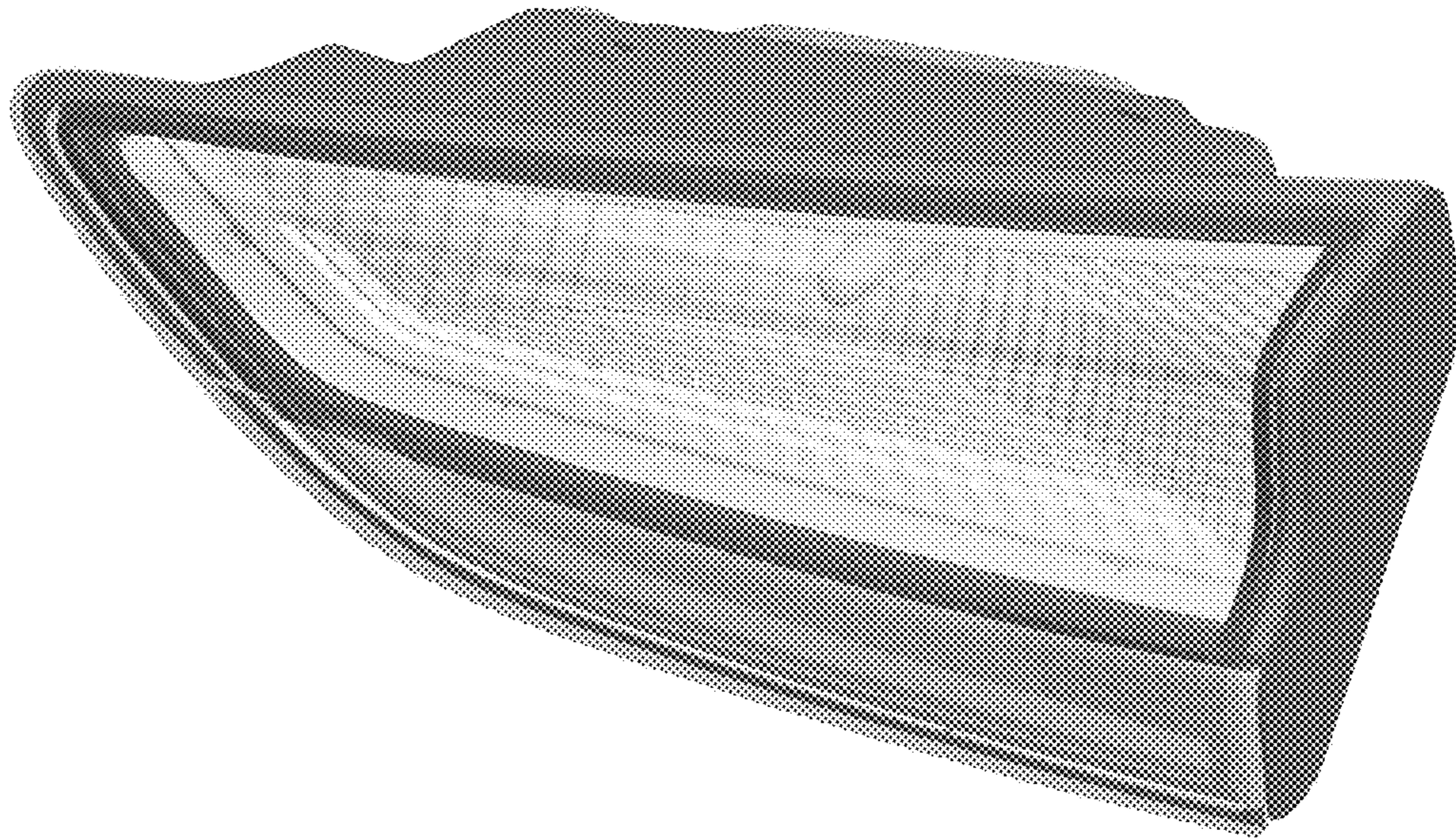
The article is adhered on to the rear of a vehicle, and it is a combination of a lamp that is turned on the moment that the break is applied and a lamp that is turned on the moment that the reverse gear is applied; as appeared in the perspective drawing, the cover part of the front of this article and the lamp part inside the cover part are transparent.

See application file for complete search history.

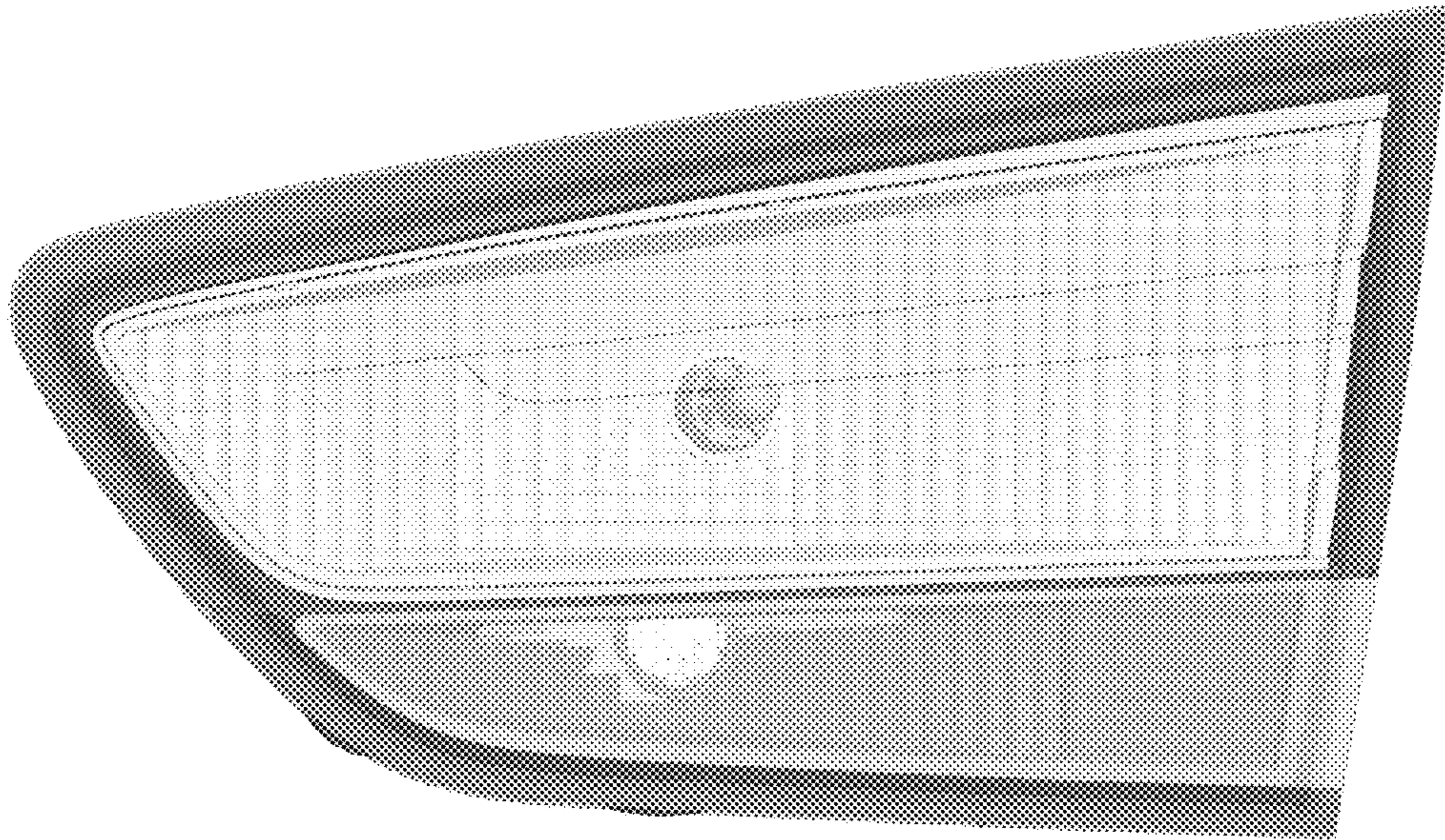
1 Claim, 7 Drawing Sheets



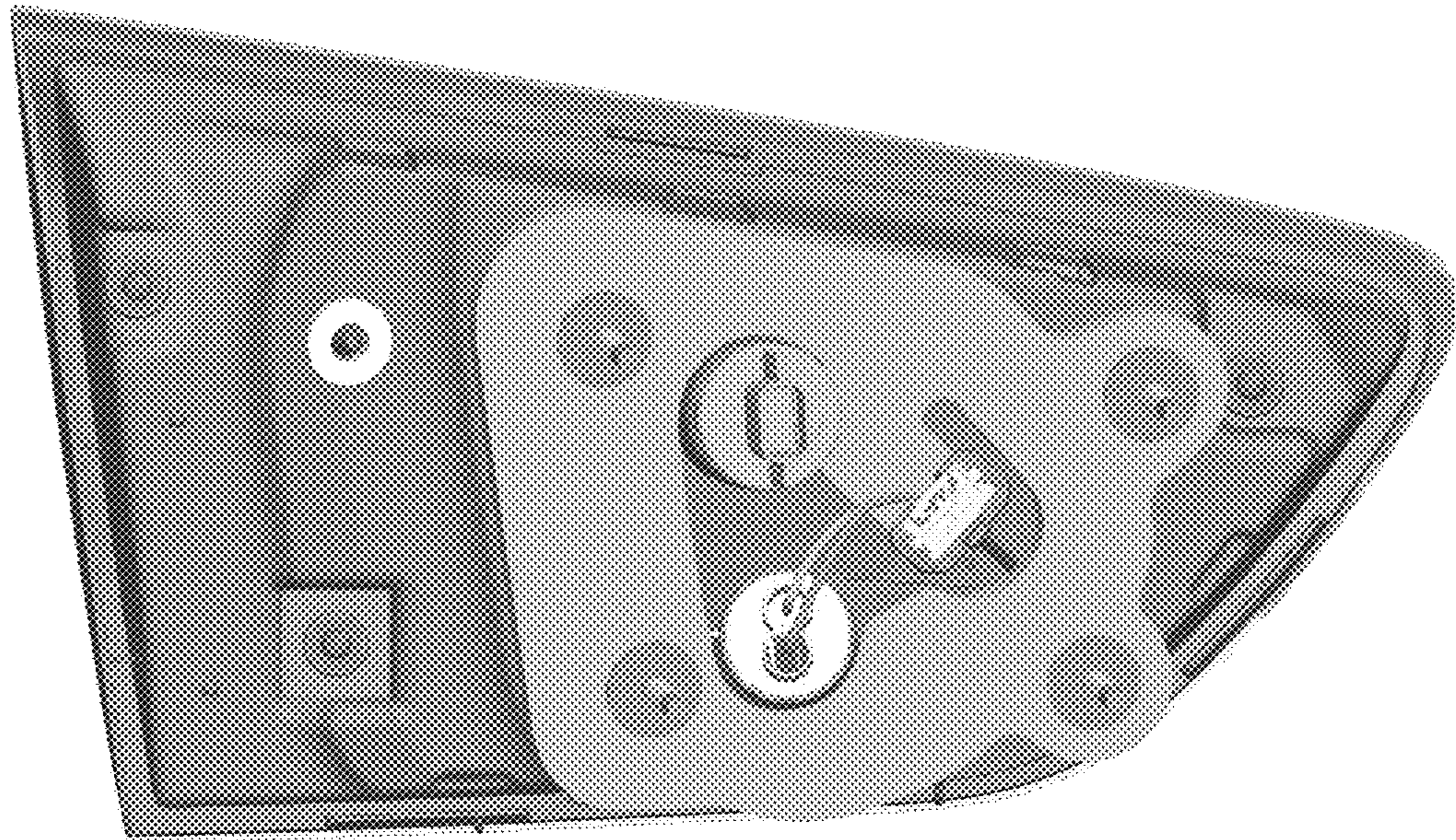
1.1



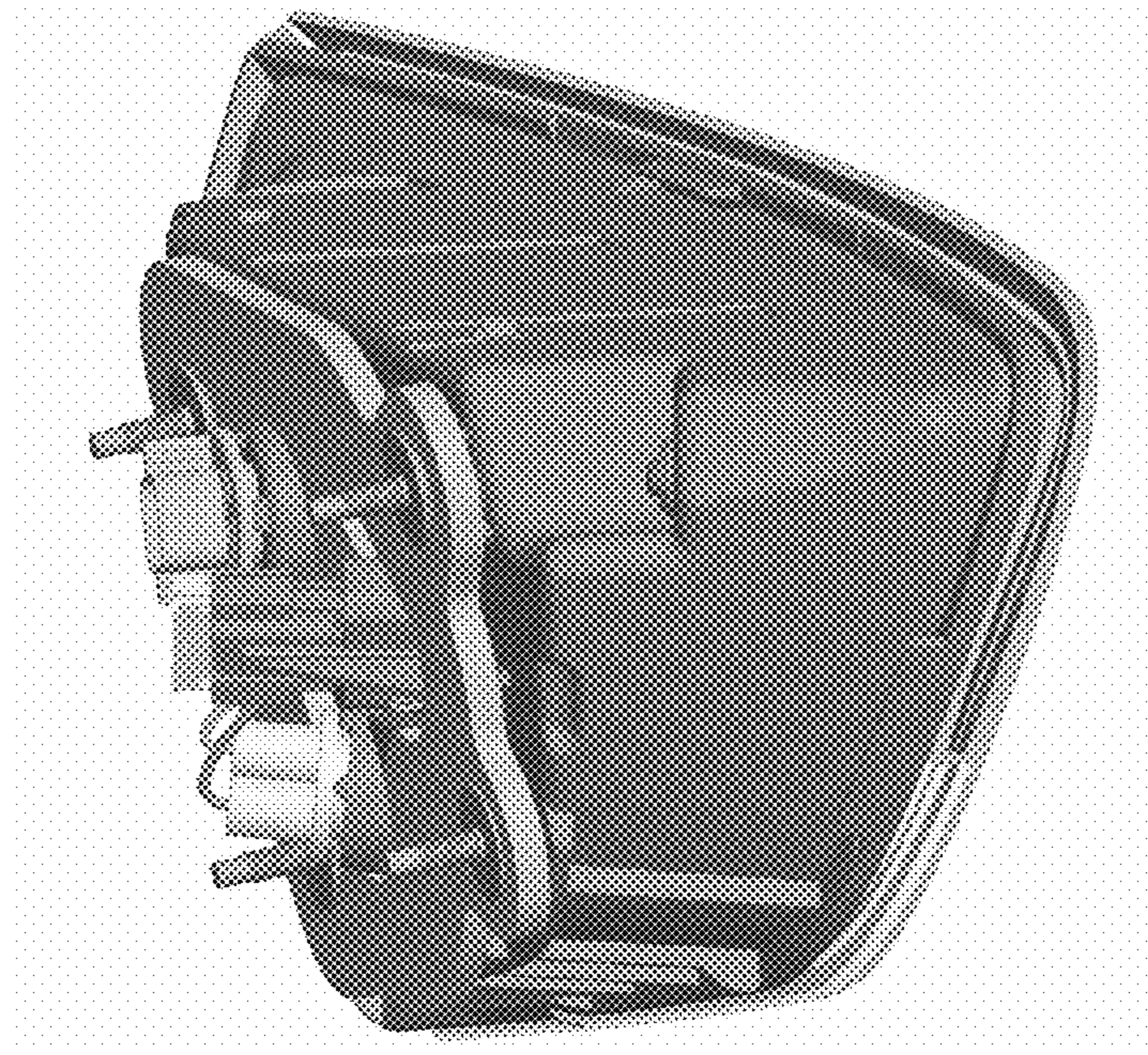
1.2



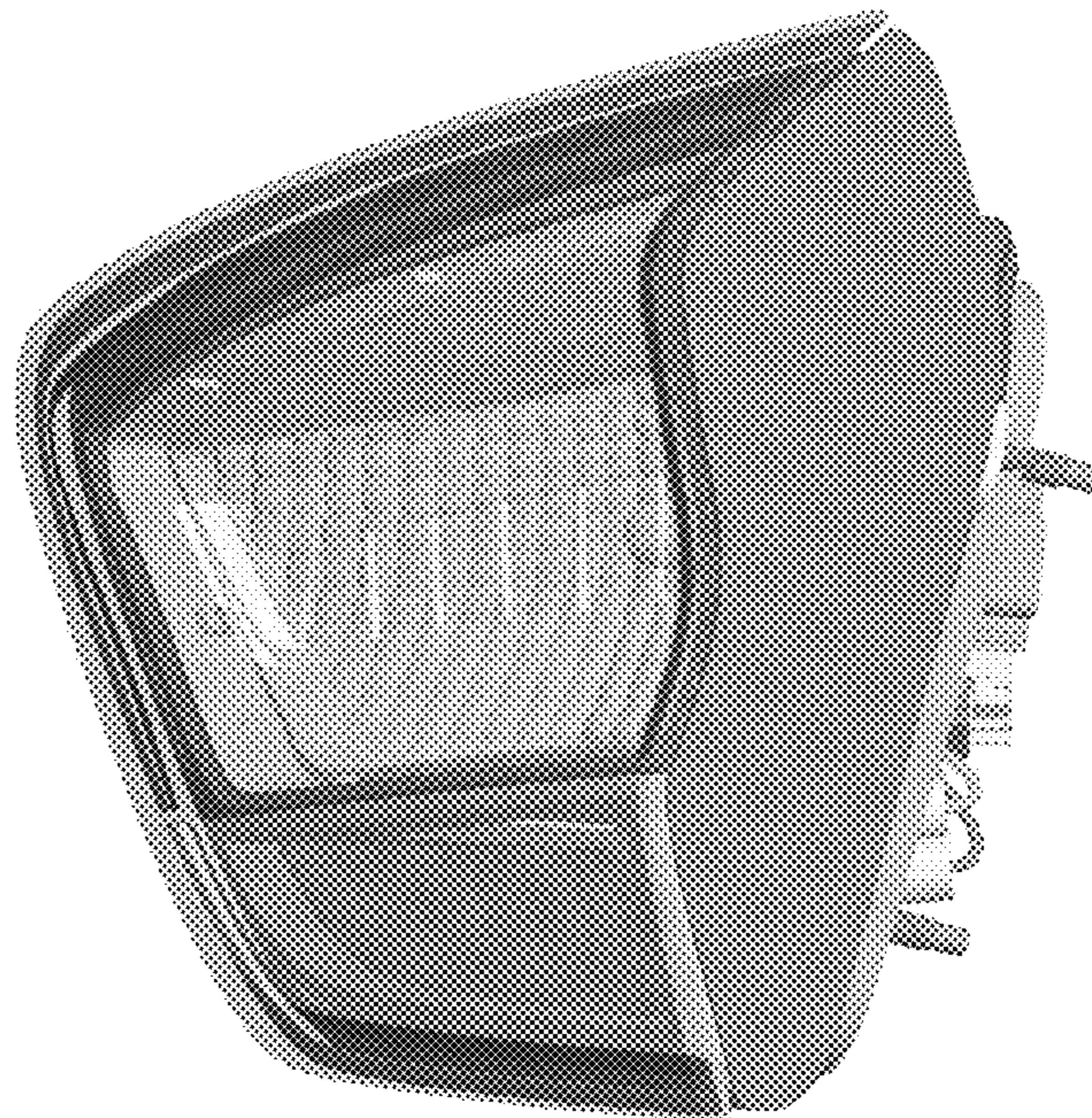
1.3



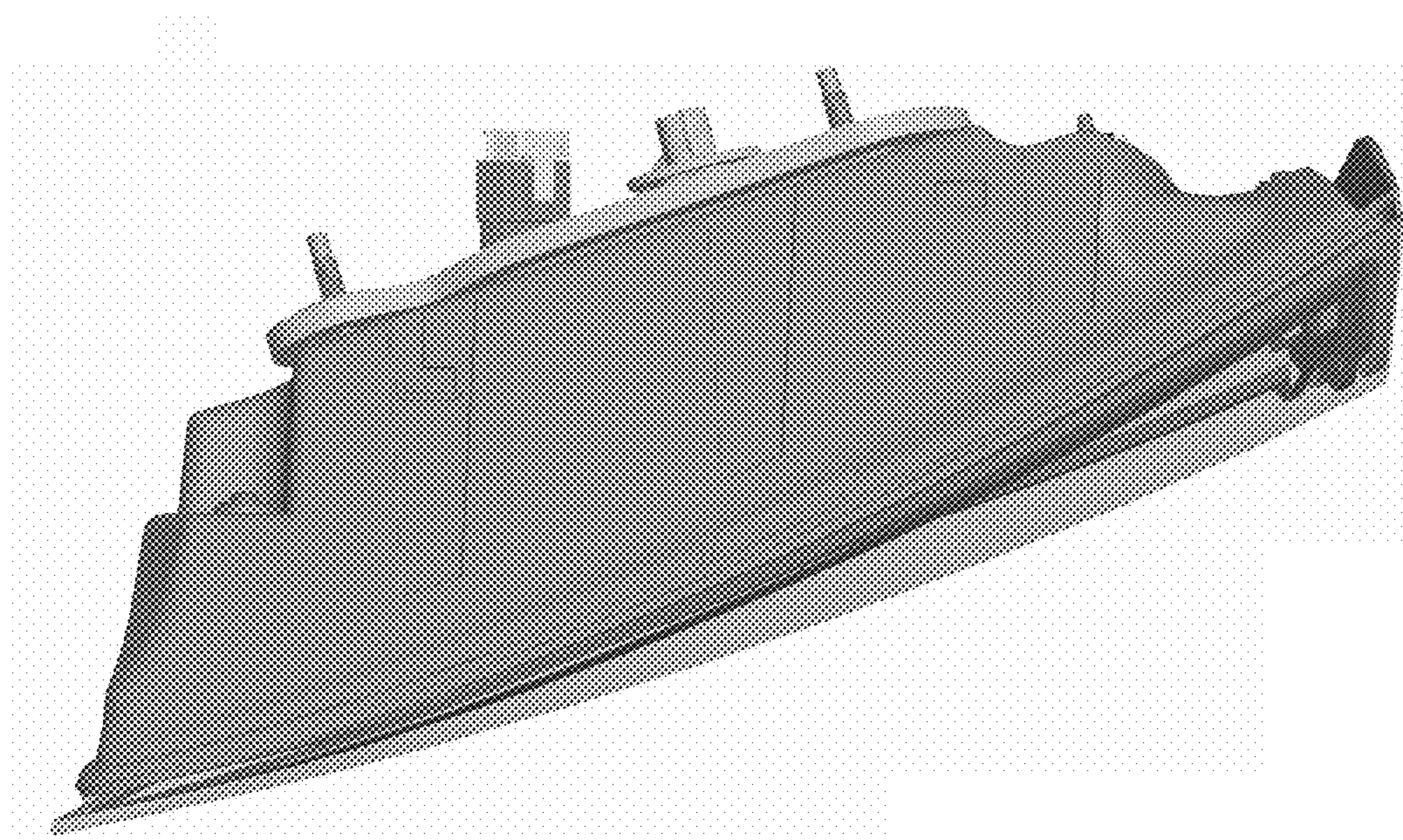
1.4



1.5



1.6



1.7

