



US00D842505S

(12) **United States Design Patent** (10) **Patent No.:** **US D842,505 S**
Kim et al. (45) **Date of Patent:** **** Mar. 5, 2019**

(54) **REAR COMBINATION LAMP FOR VEHICLES**

(56) **References Cited**

U.S. PATENT DOCUMENTS

(71) Applicant: **HYUNDAI MOTOR COMPANY**,
Seoul (KR)

(72) Inventors: **Jinhyun Kim**, Hwaseong-si (KR);
Bumyoung Song, Seoul (KR)

(73) Assignee: **Hyundai Motor Company**, Seoul (KR)

D806,919 S *	1/2018	Hatton	D26/28
D808,048 S *	1/2018	Hannemann	D26/28
D809,167 S *	1/2018	Chi	D26/28
D810,974 S *	2/2018	Sato	D26/28
D812,270 S *	3/2018	Minamiyama	D26/28
D812,271 S *	3/2018	Katagiri	D26/28
D812,273 S *	3/2018	Wu	D26/28
D812,274 S *	3/2018	Wu	D26/28
D812,275 S *	3/2018	Wu	D26/28

(**) Term: **15 Years**

* cited by examiner

(21) Appl. No.: **35/502,752**

Primary Examiner — Zenia I Bennett

(22) Filed: **Oct. 7, 2016**

(74) *Attorney, Agent, or Firm* — Mintz Levin Cohn Ferris Glovsky and Popeo, P.C.; Kongsik Kim; Jhongwoo Jay Peck

(80) **Hague Agreement Data**

Int. Filing Date: **Oct. 7, 2016**
 Int. Reg. No.: **DM/093067**
 Int. Reg. Date: **Oct. 7, 2016**
 Int. Reg. Pub. Date: **Apr. 7, 2017**

(57) **CLAIM**

The ornamental design for a rear combination lamp for vehicles, as shown and described.

(30) **Foreign Application Priority Data**

Jun. 30, 2016 (KR) 30-2016-0031824

(51) **LOC (11) Cl.** **26-06**

(52) **U.S. Cl.**
USPC **D26/28**

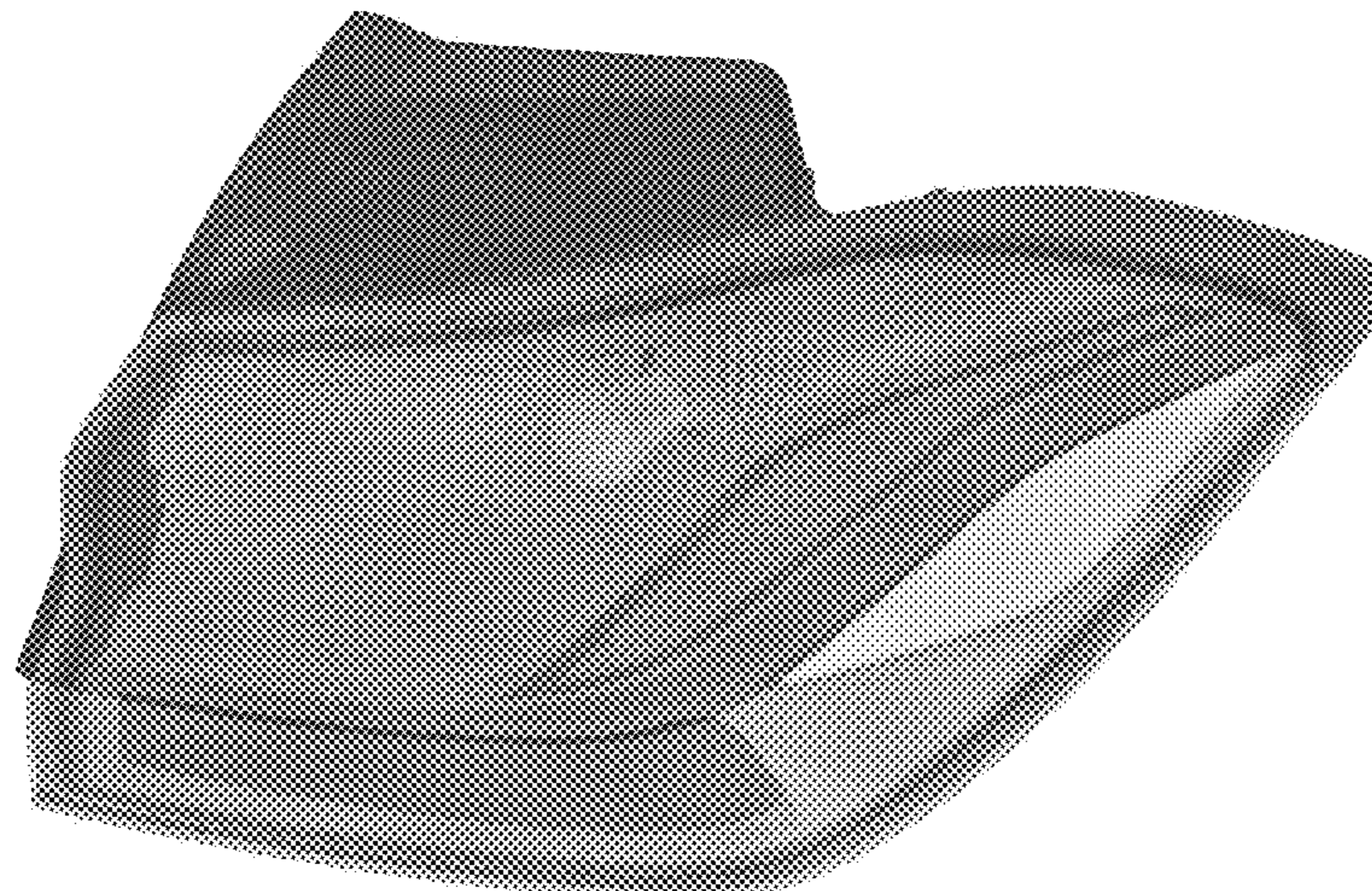
DESCRIPTION

(58) **Field of Classification Search**
 USPC D26/28-36
 CPC F21S 48/00; F21S 48/10; F21S 48/115;
 F21S 48/225; F21S 48/1233; F21S
 48/1266; F21S 48/1388; F21S 48/2266;
 F21V 21/04; B60Q 1/30; B60Q 1/2607;
 B60Q 1/2696; B62J 6/00; B62J 6/04
 See application file for complete search history.

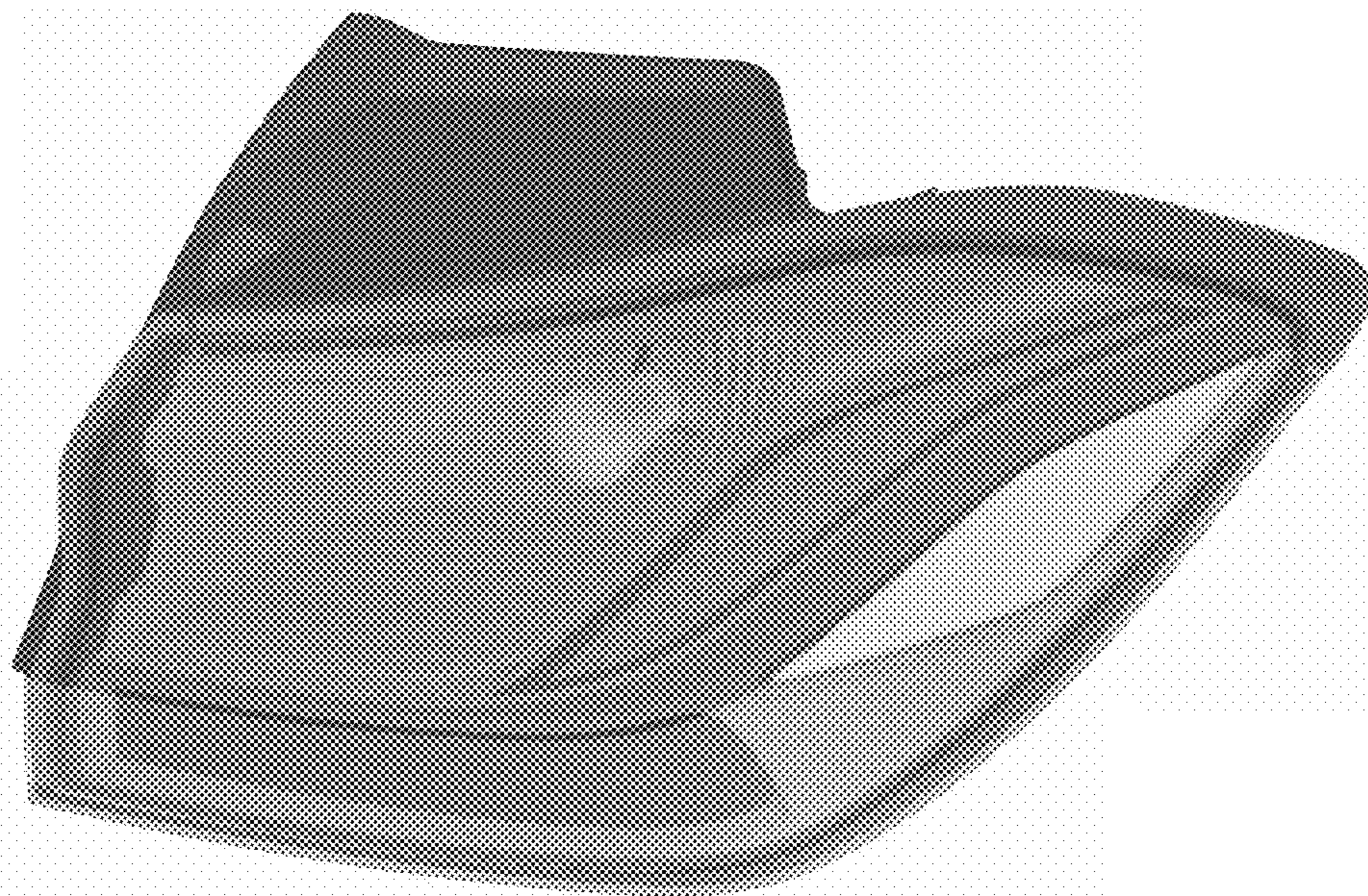
- 1. Rear combination lamp for vehicles
- 1.1 : Perspective
- 1.2 : Front
- 1.3 : Back
- 1.4 : Left
- 1.5 : Right
- 1.6 : Top
- 1.7 : Bottom

The article is adhered on to the rear of a vehicle, and it is a combination of a lamp that is turned on the moment that the break is applied and a lamp that is turned on the moment that the reverse gear is applied; as appeared in the perspective drawing, the cover part of the front of this article and the lamp part inside the cover part are transparent.

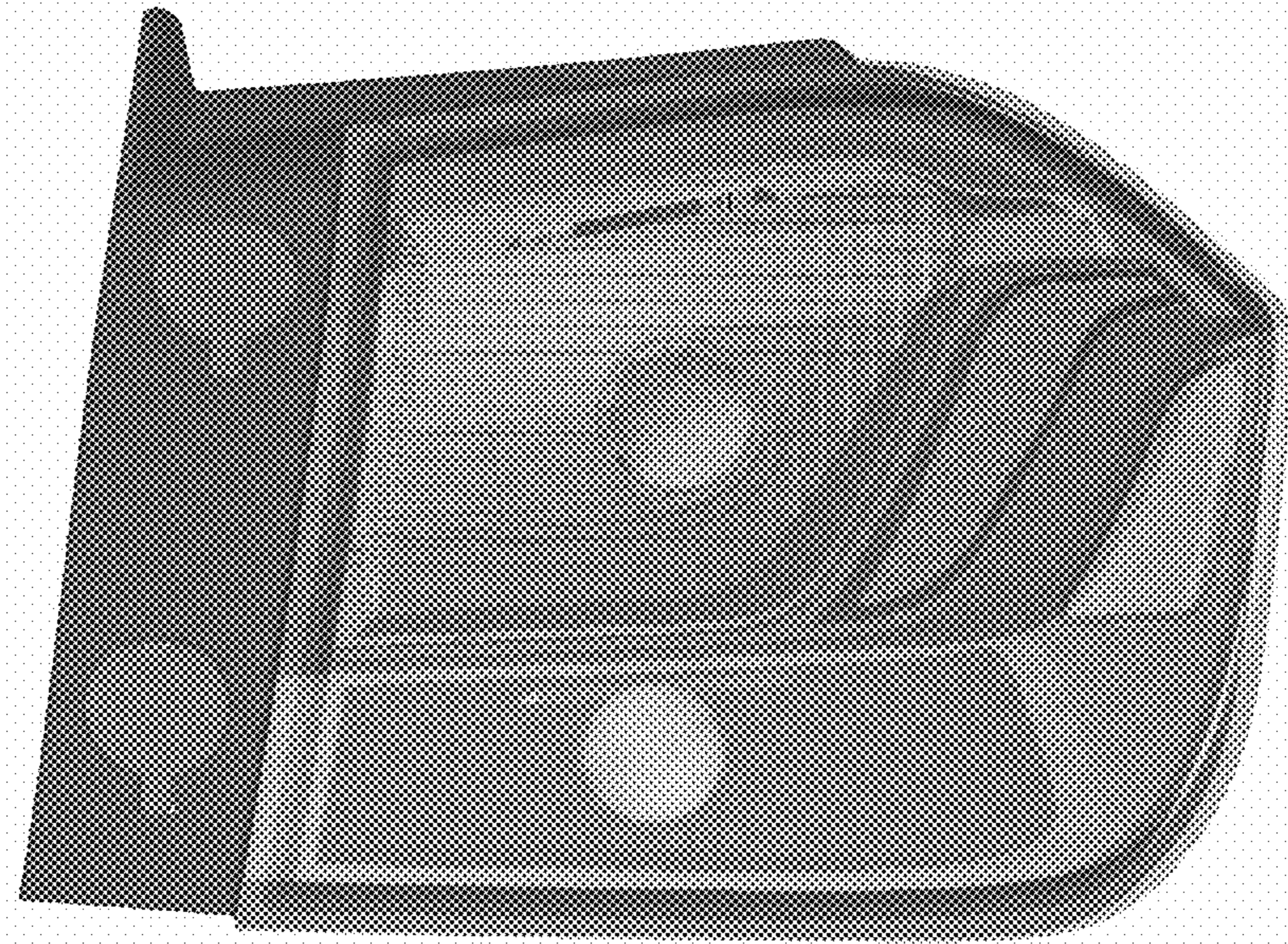
1 Claim, 7 Drawing Sheets



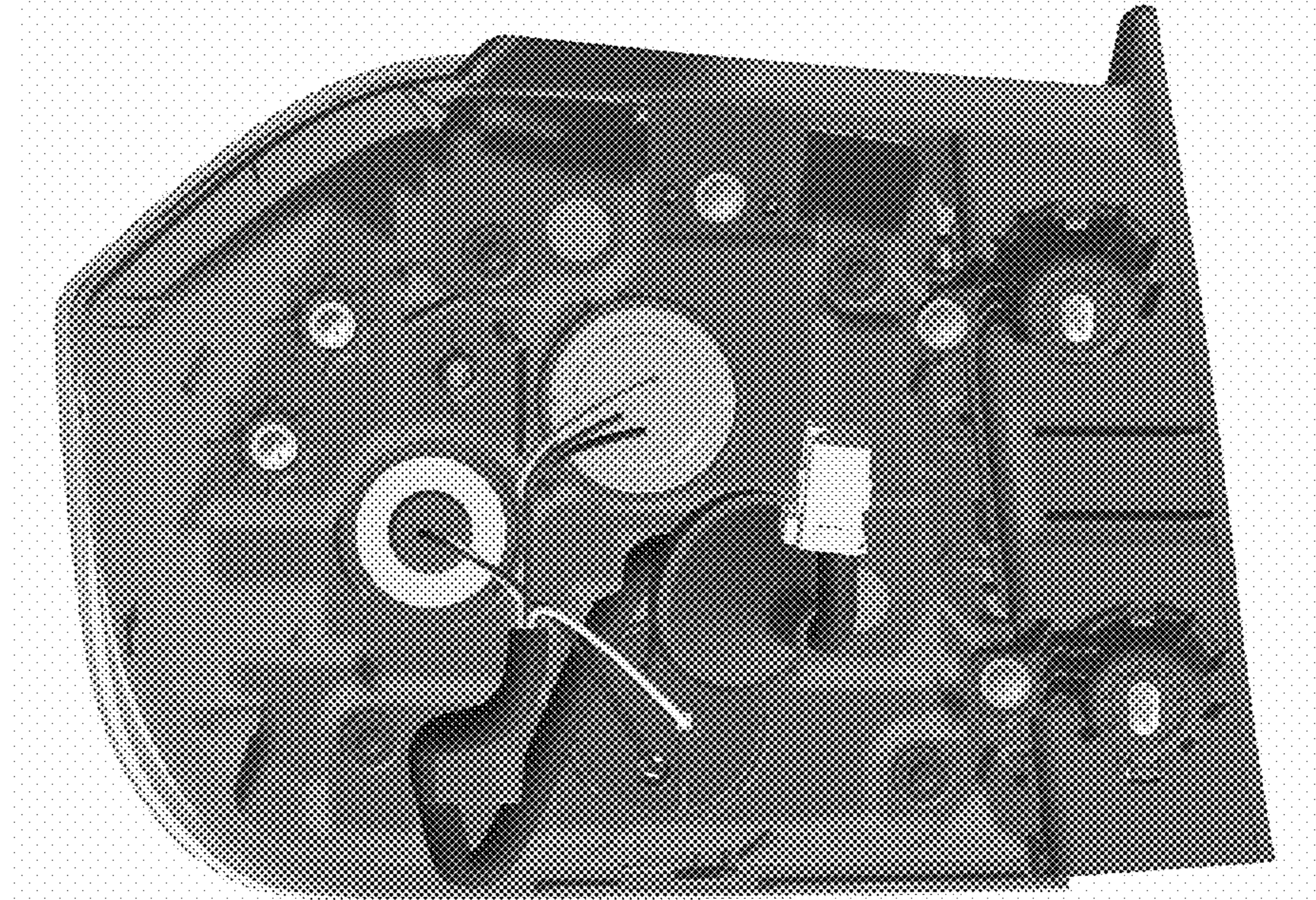
1.1



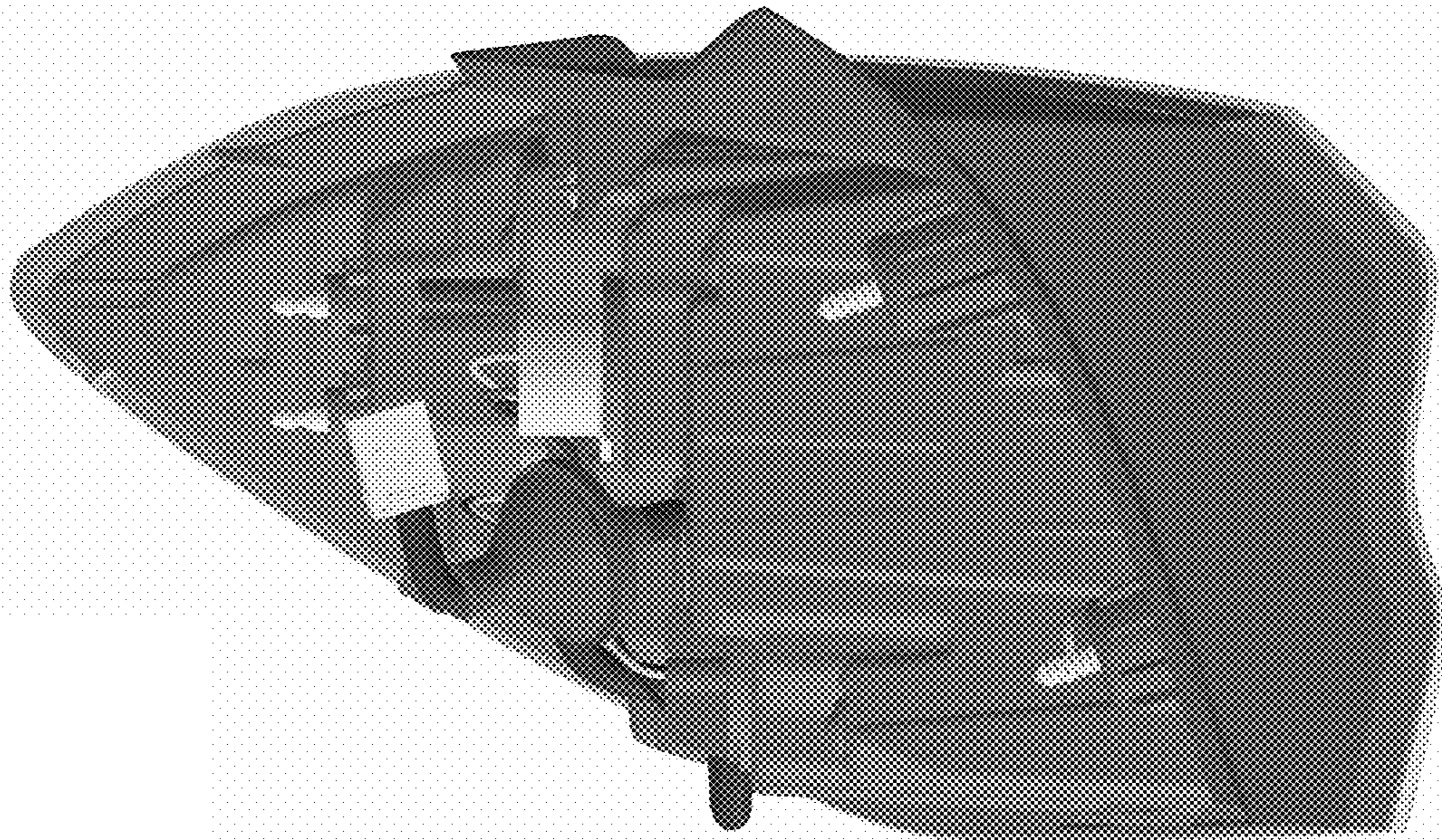
1.2



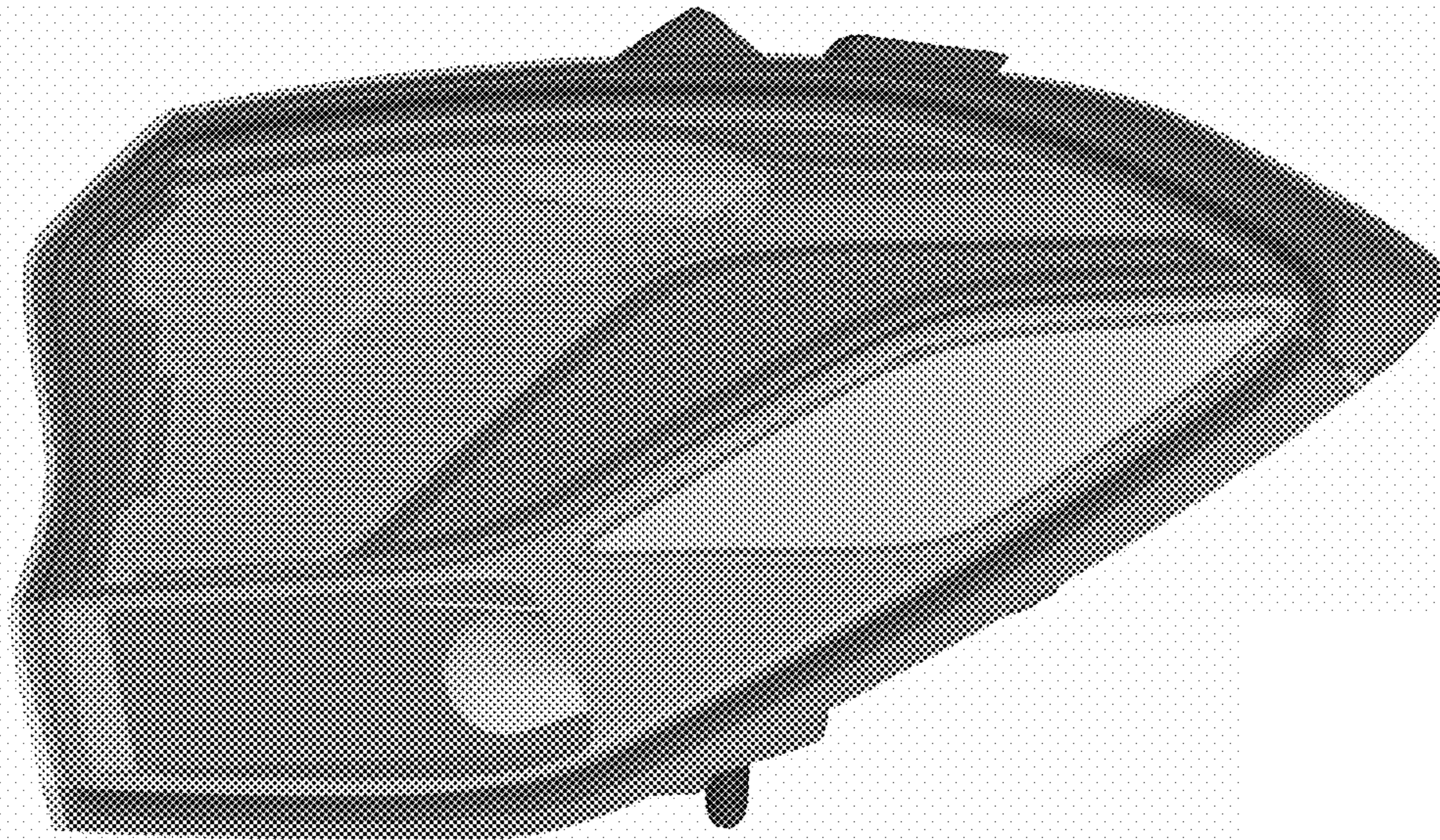
1.3



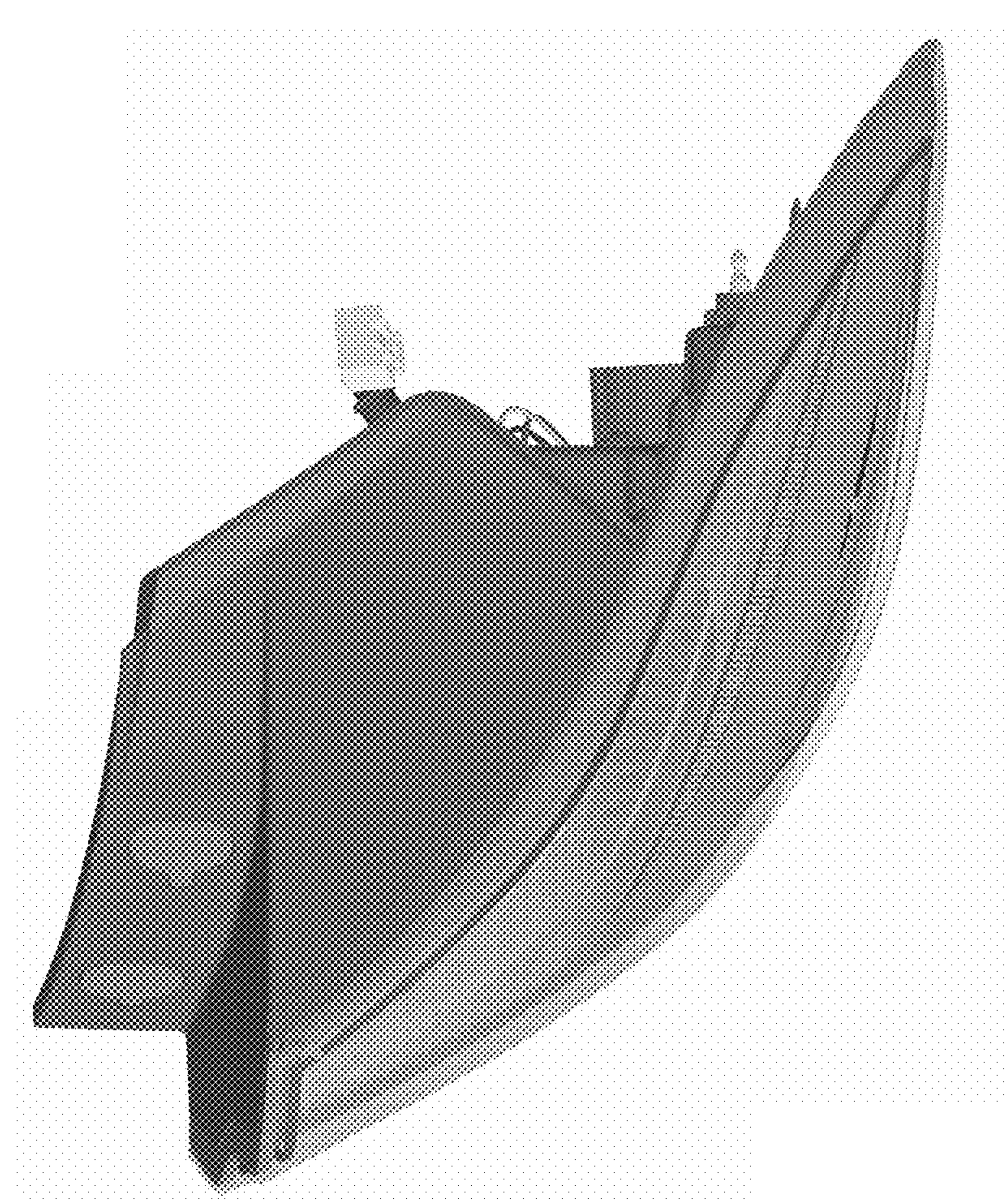
1.4



1.5



1.6



1.7

