



US00D842503S

(12) **United States Design Patent**
Yang

(10) **Patent No.:** **US D842,503 S**

(45) **Date of Patent:** **** Mar. 5, 2019**

(54) **VEHICLE HEADLIGHT**

D561,358 S * 2/2008 Tachibana D26/28
D570,007 S * 5/2008 Hsu D26/28
D694,443 S * 11/2013 Mackay D26/28

(71) Applicant: **SONAR AUTO PARTS CO., LTD.**,
New Taipei (TW)

* cited by examiner

(72) Inventor: **Hsiu-Pen Yang**, New Taipei (TW)

Primary Examiner — Marcus A Jackson

(73) Assignee: **SONAR AUTO PARTS CO., LTD.**,
New Taipei (TW)

(74) *Attorney, Agent, or Firm* — Li & Cai Intellectual
Property (USA) Office

(**) Term: **15 Years**

(21) Appl. No.: **29/632,589**

(57) **CLAIM**

(22) Filed: **Jan. 9, 2018**

The ornamental design for a “vehicle headlight,” as shown
and described.

(51) **LOC (11) Cl.** **26-06**

(52) **U.S. Cl.**
USPC **D26/28**

(58) **Field of Classification Search**
USPC D26/28–36
CPC B60Q 9/13; B60Q 9/135; B60Q 9/1375;
F21S 48/00; F21S 48/10; F21S 48/115;
F21S 48/225; F21S 48/1233; F21S
48/1266; F21S 48/1388; F21S 48/2268;
F21V 21/04

DESCRIPTION

See application file for complete search history.

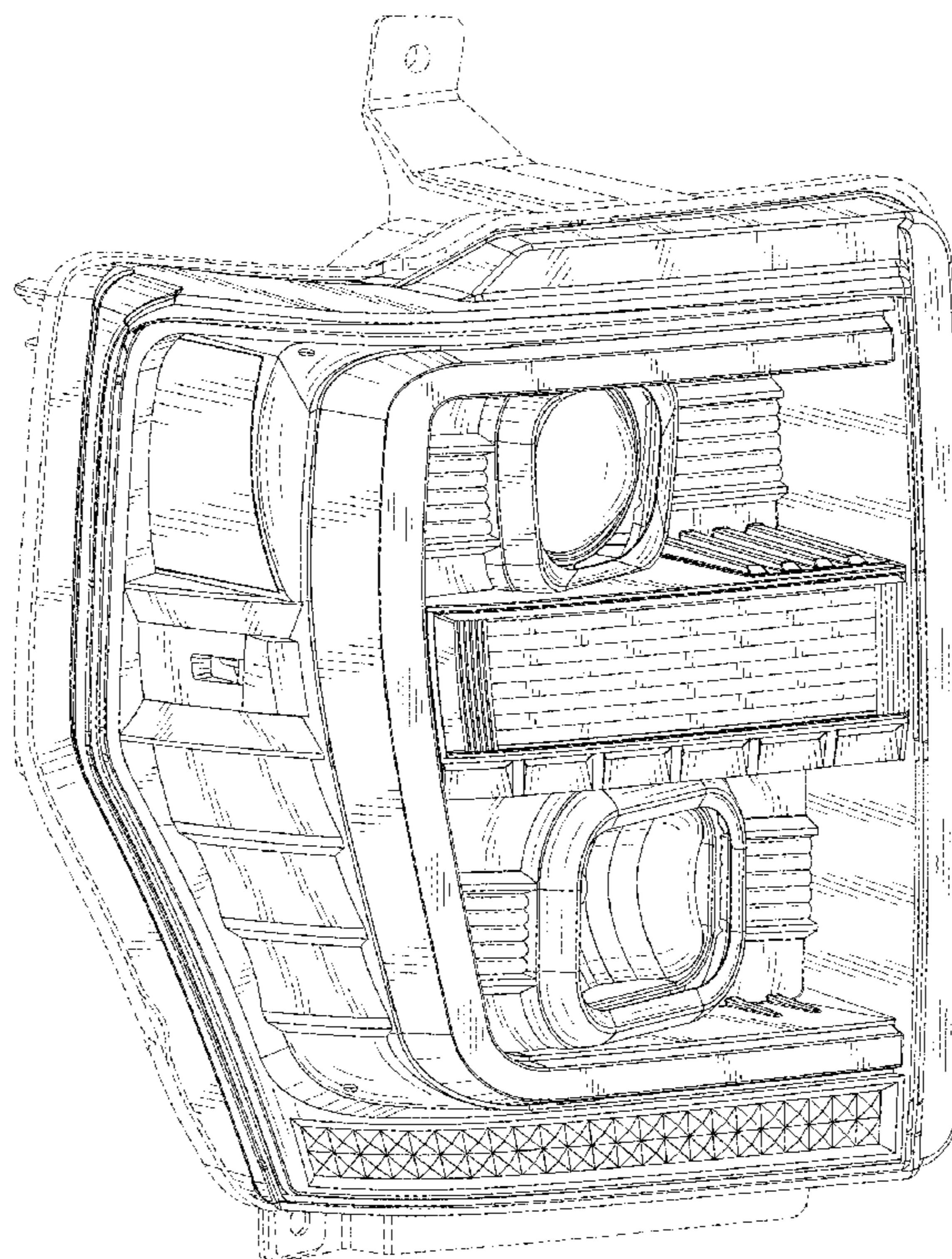
FIG. 1 is a front, top and left perspective view of a vehicle
headlight showing my new design;
FIG. 2 is a front elevational view thereof;
FIG. 3 is a rear elevational view thereof;
FIG. 4 is a left side elevational view thereof;
FIG. 5 is a right side elevational view thereof;
FIG. 6 is a top plan view thereof;
FIG. 7 is a bottom plan view thereof; and,
FIG. 8 is a rear, bottom and right perspective view thereof.
The portions in broken lines are shown for illustrative
purposes only and form no part of the claimed design.

(56) **References Cited**

U.S. PATENT DOCUMENTS

D538,956 S * 3/2007 Ishii D26/28
D544,614 S * 6/2007 Markefka D26/28

1 Claim, 8 Drawing Sheets



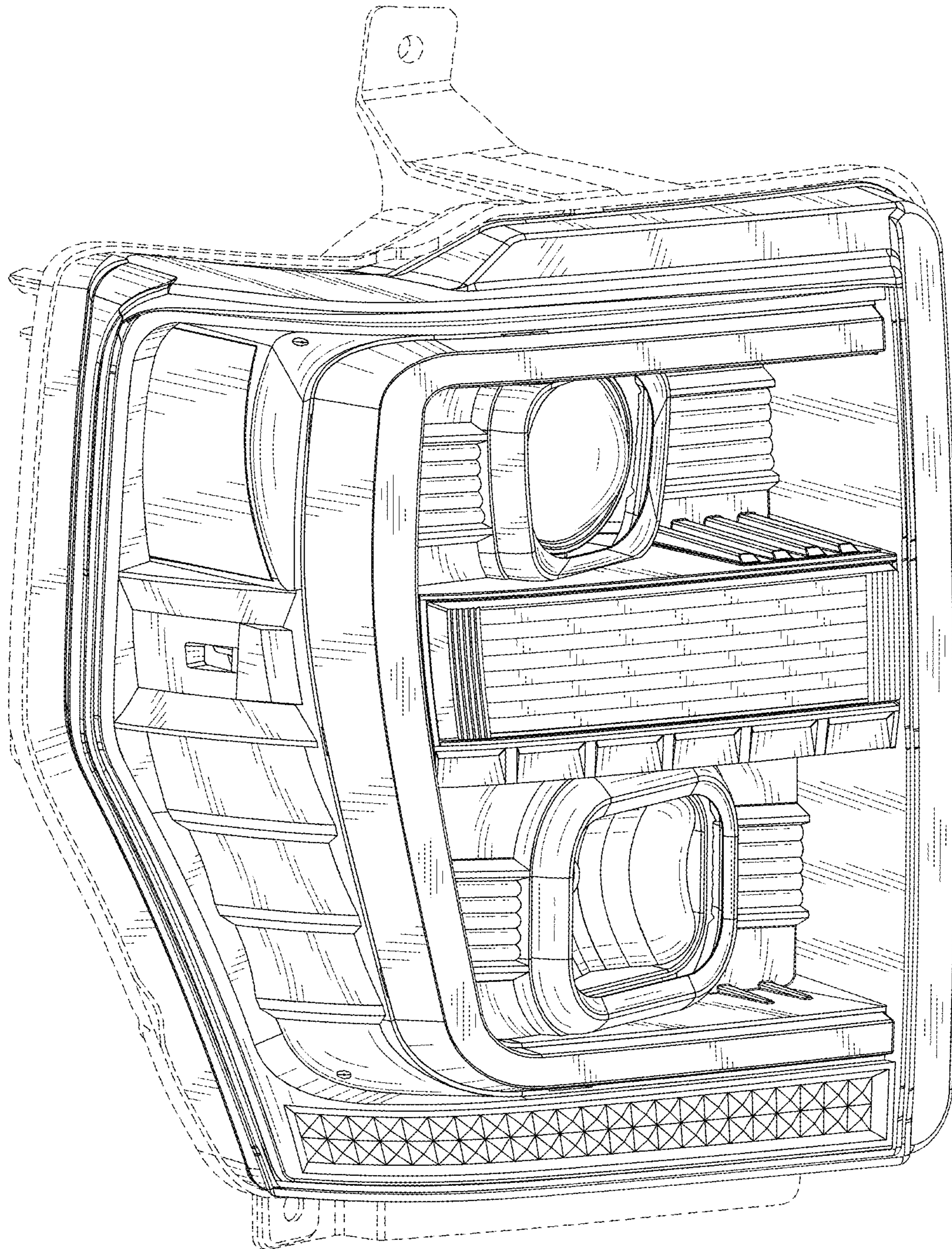


FIG. 1

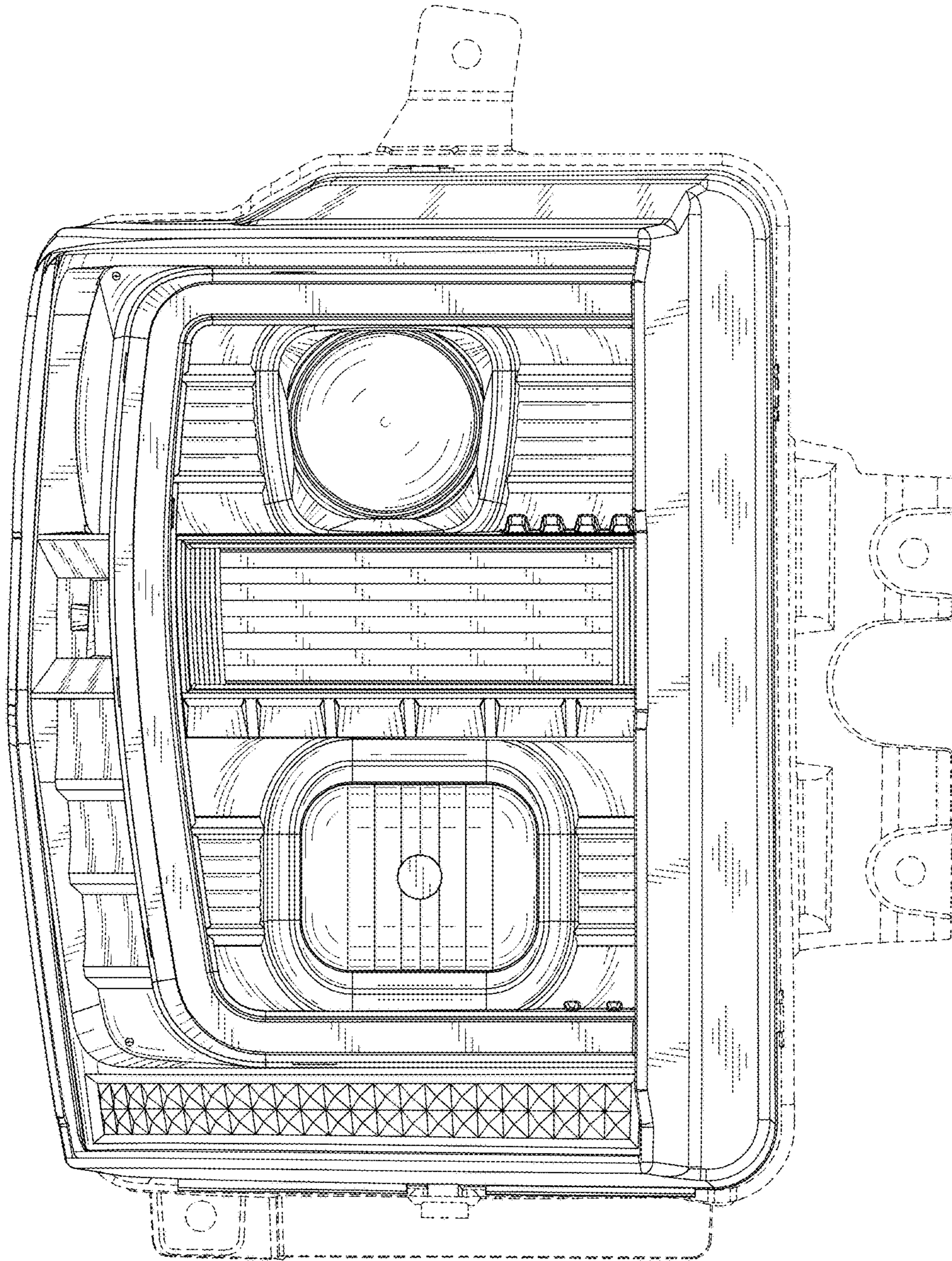


FIG. 2

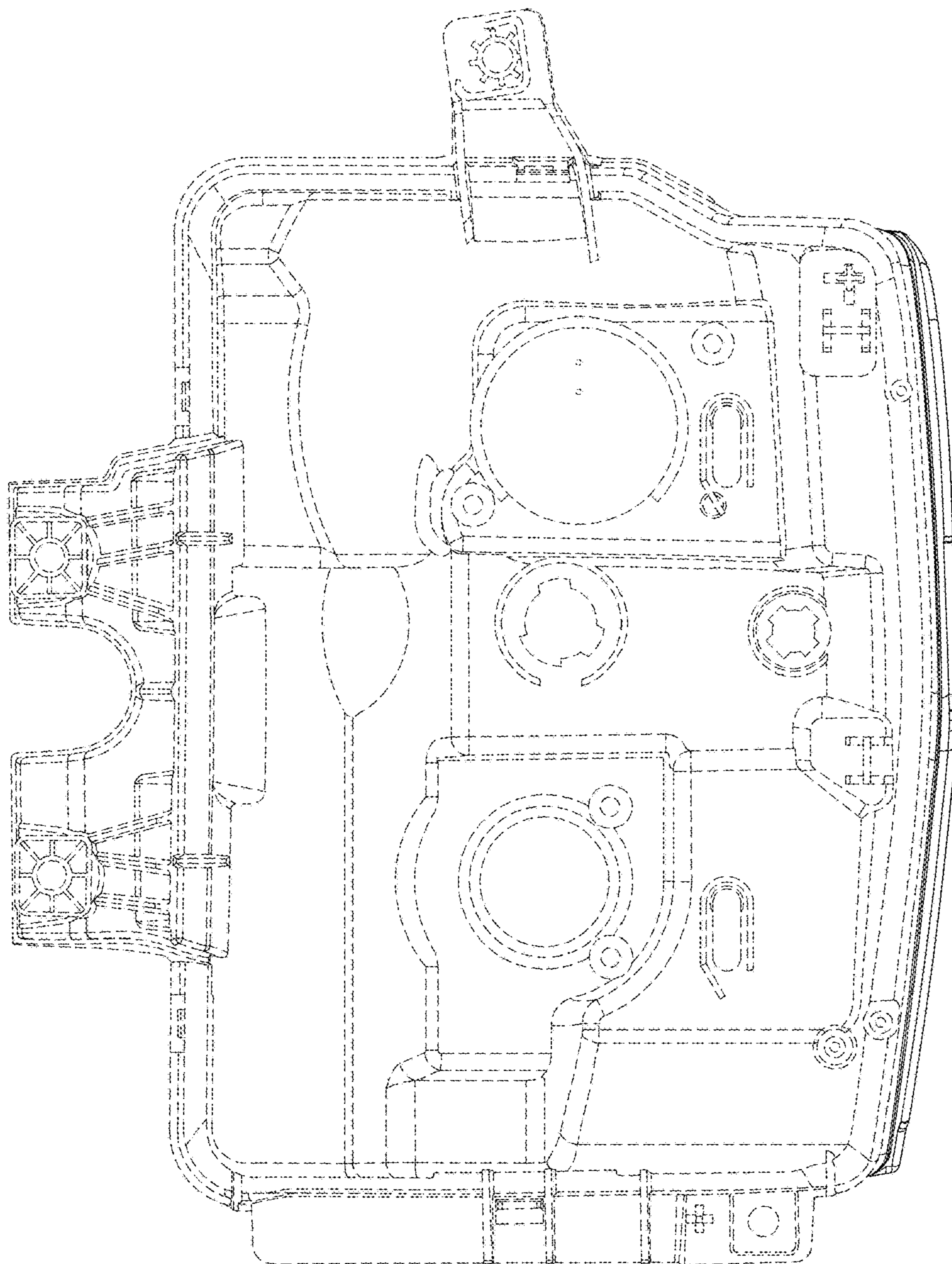


FIG. 3

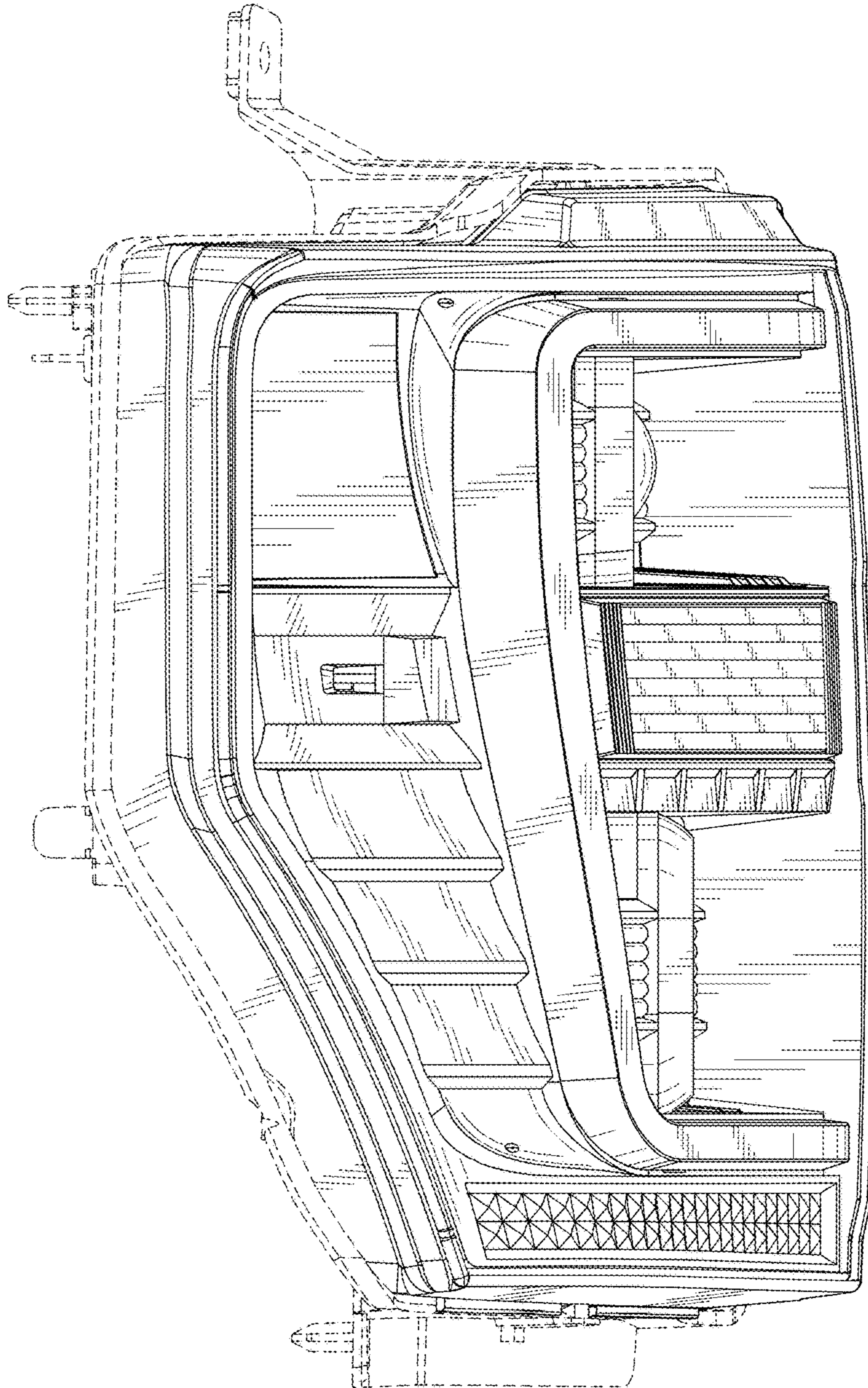


FIG. 4

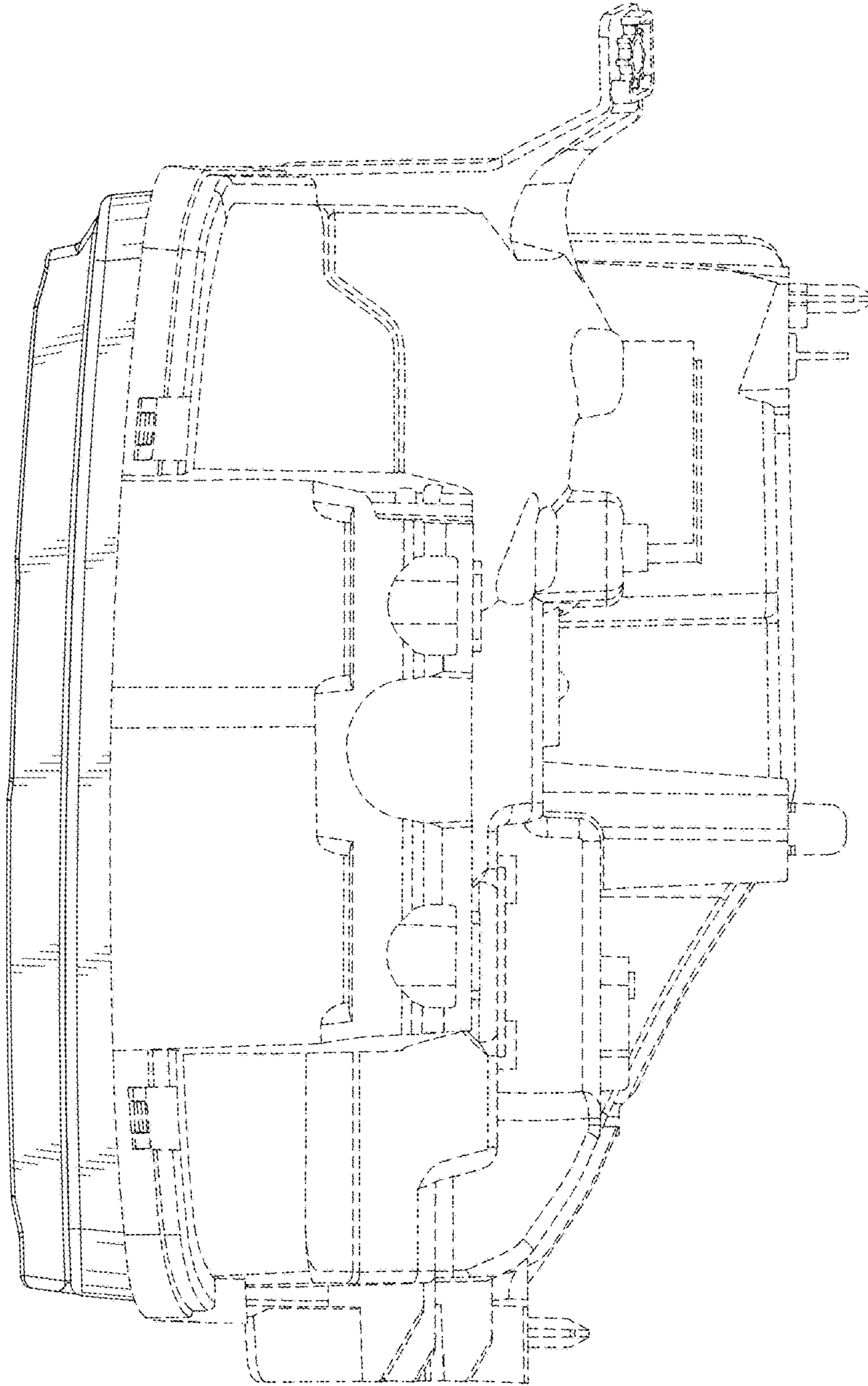


FIG. 5

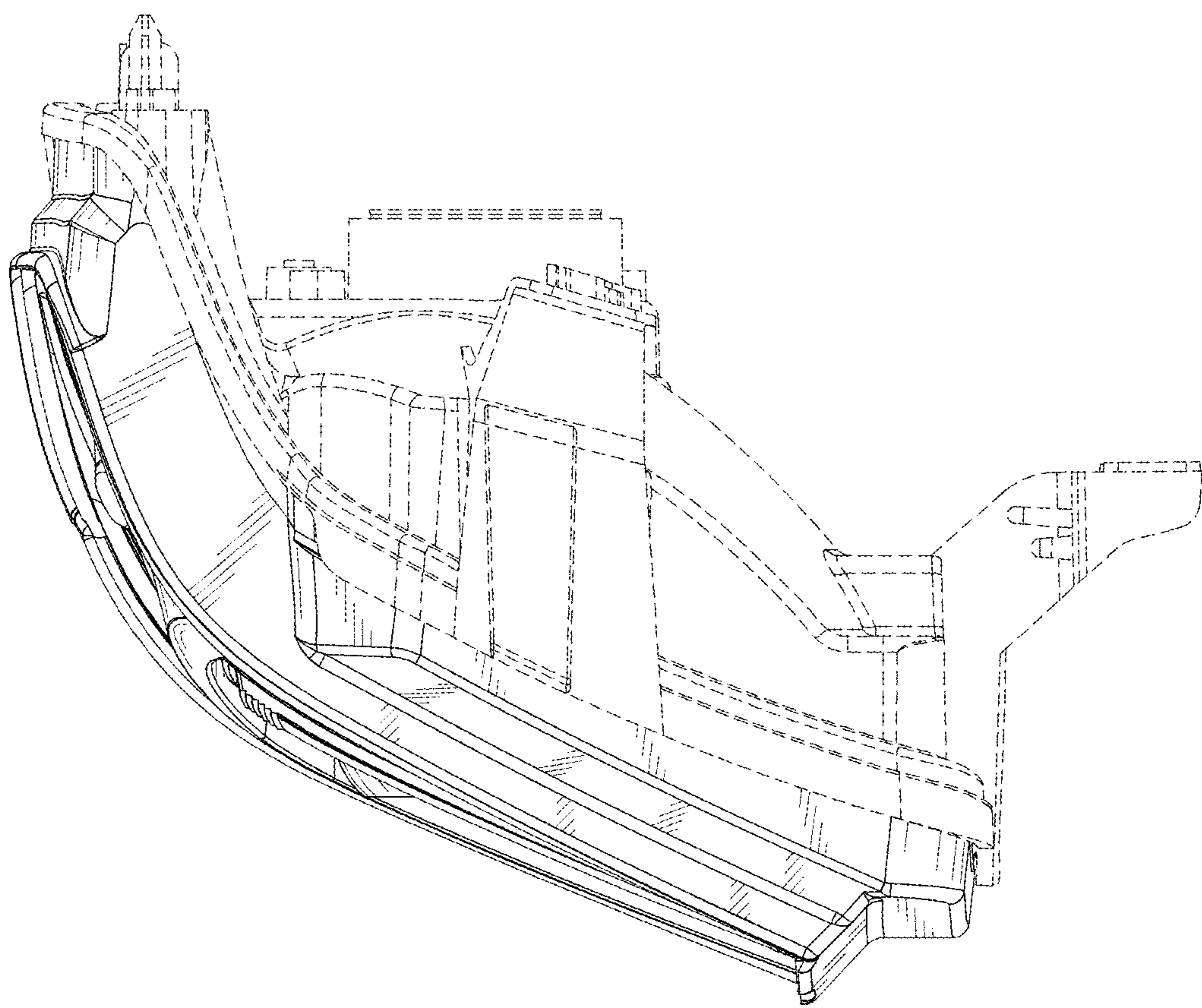


FIG. 6

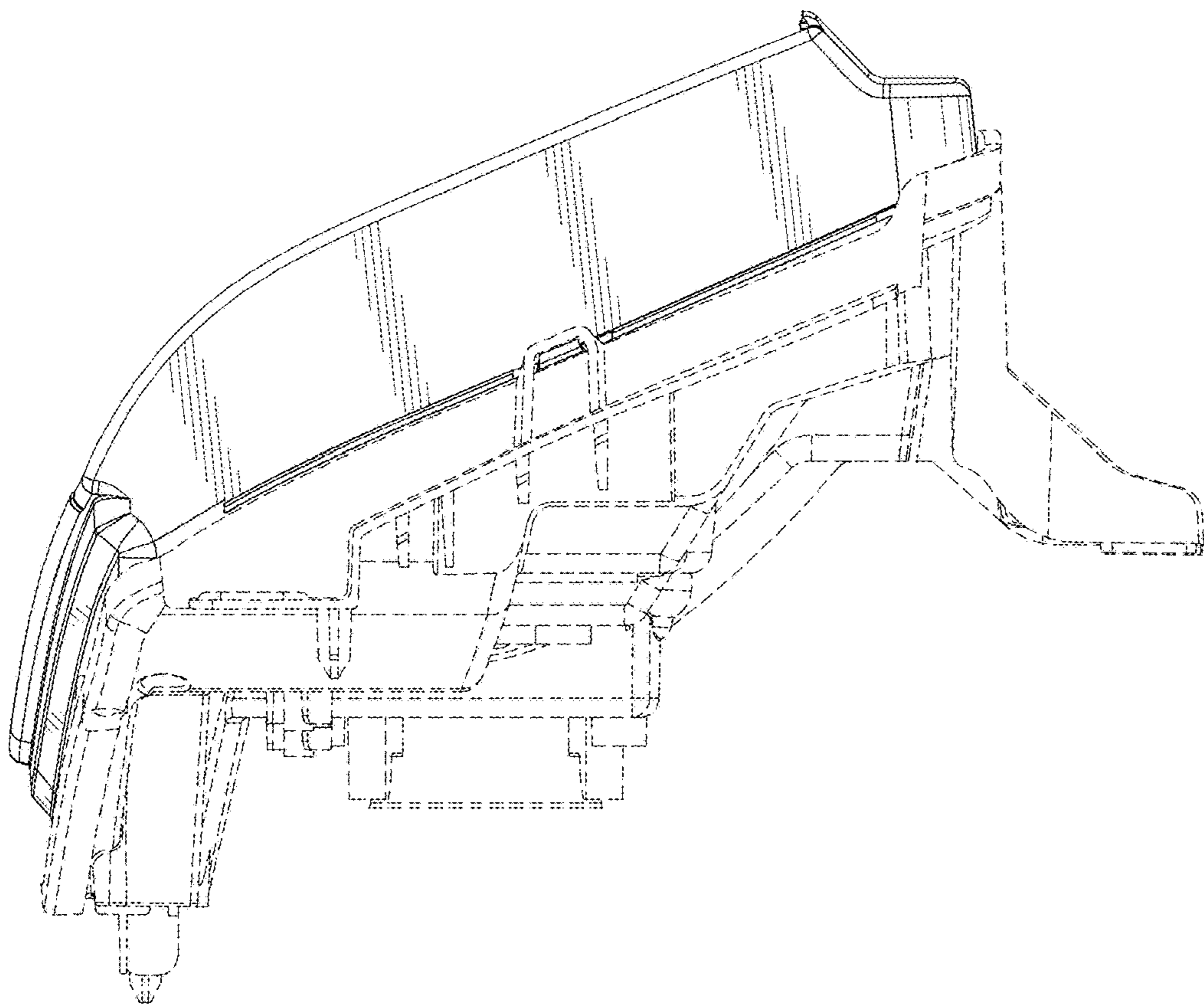


FIG. 7

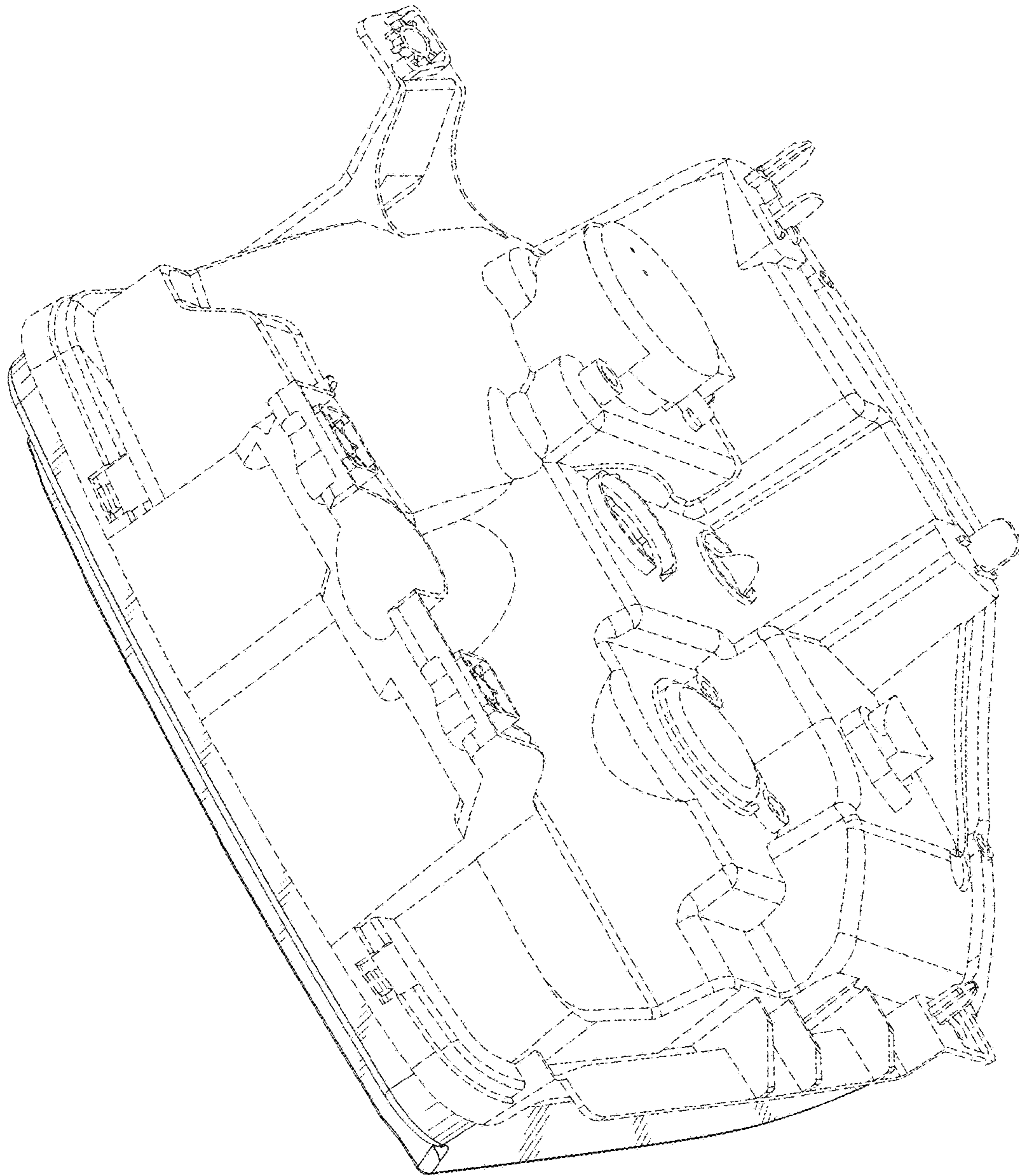


FIG. 8