

US00D842495S

(12) **United States Design Patent**
Morris

(10) **Patent No.:** **US D842,495 S**

(45) **Date of Patent:** **** Mar. 5, 2019**

(54) **SUPPLEMENT SORTER**

(71) Applicant: **Carole Morris**, Corona del Mar, CA
(US)

(72) Inventor: **Carole Morris**, Corona del Mar, CA
(US)

(**) Term: **15 Years**

(21) Appl. No.: **29/567,909**

(22) Filed: **Jun. 14, 2016**

(51) **LOC (11) Cl.** **24-02**

(52) **U.S. Cl.**
USPC **D24/226**

(58) **Field of Classification Search**
USPC D10/97; D15/90, 147; D19/77, 83, 95;
D24/216, 219, 224–227, 229, 230;
D3/203.1–203.3
CPC A61J 1/03
See application file for complete search history.

(56) **References Cited**

U.S. PATENT DOCUMENTS

D157,115 S *	1/1950	Zumpe	206/564
2,796,742 A *	6/1957	Platt	F25C 1/24 249/127
D194,138 S *	11/1962	Waller	D11/143
D196,884 S *	11/1963	Furlong	D19/83
3,207,302 A *	9/1965	Hobbs	A61M 5/002 206/366
D264,681 S *	6/1982	Turley	D24/226
D280,130 S *	8/1985	Harkins	D24/216
D356,338 S *	3/1995	Magnusson	D19/77

D360,264 S *	7/1995	Wolff	D24/224
D382,346 S *	8/1997	Buhler	D24/227
D433,065 S *	10/2000	Mahlke	D19/77
D438,634 S *	3/2001	Merry	D24/227
D514,309 S *	2/2006	Wahl	D3/203.2
D528,782 S *	9/2006	Oas	D3/203.3
D654,517 S *	2/2012	Merritt	D15/90
D663,436 S *	7/2012	Rousselin	D24/229
D718,466 S *	11/2014	So	D24/224
D718,471 S *	11/2014	So	D24/224
D718,472 S *	11/2014	So	D24/224
D720,469 S *	12/2014	Green	D24/224
D808,637 S *	1/2018	Andrews	A61J 1/03 D3/203.1
D832,457 S *	10/2018	Poyss	D24/227
2014/0135236 A1 *	5/2014	Musat	G01N 1/36 506/18

* cited by examiner

Primary Examiner — Garth Rademaker
Assistant Examiner — Melvin L Davis
(74) *Attorney, Agent, or Firm* — Stoel Rives LLP

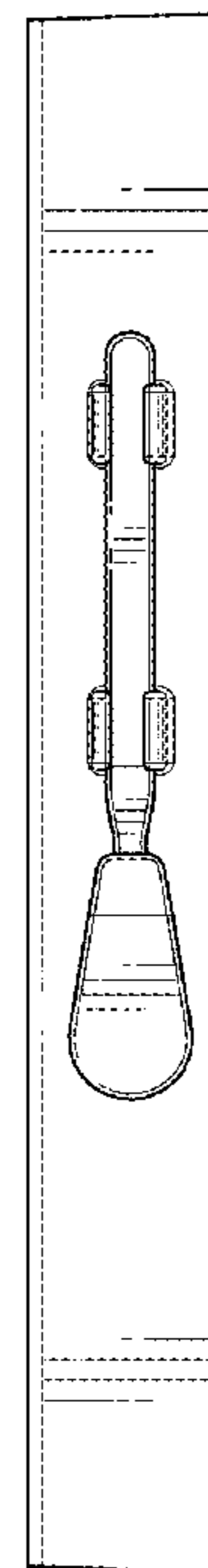
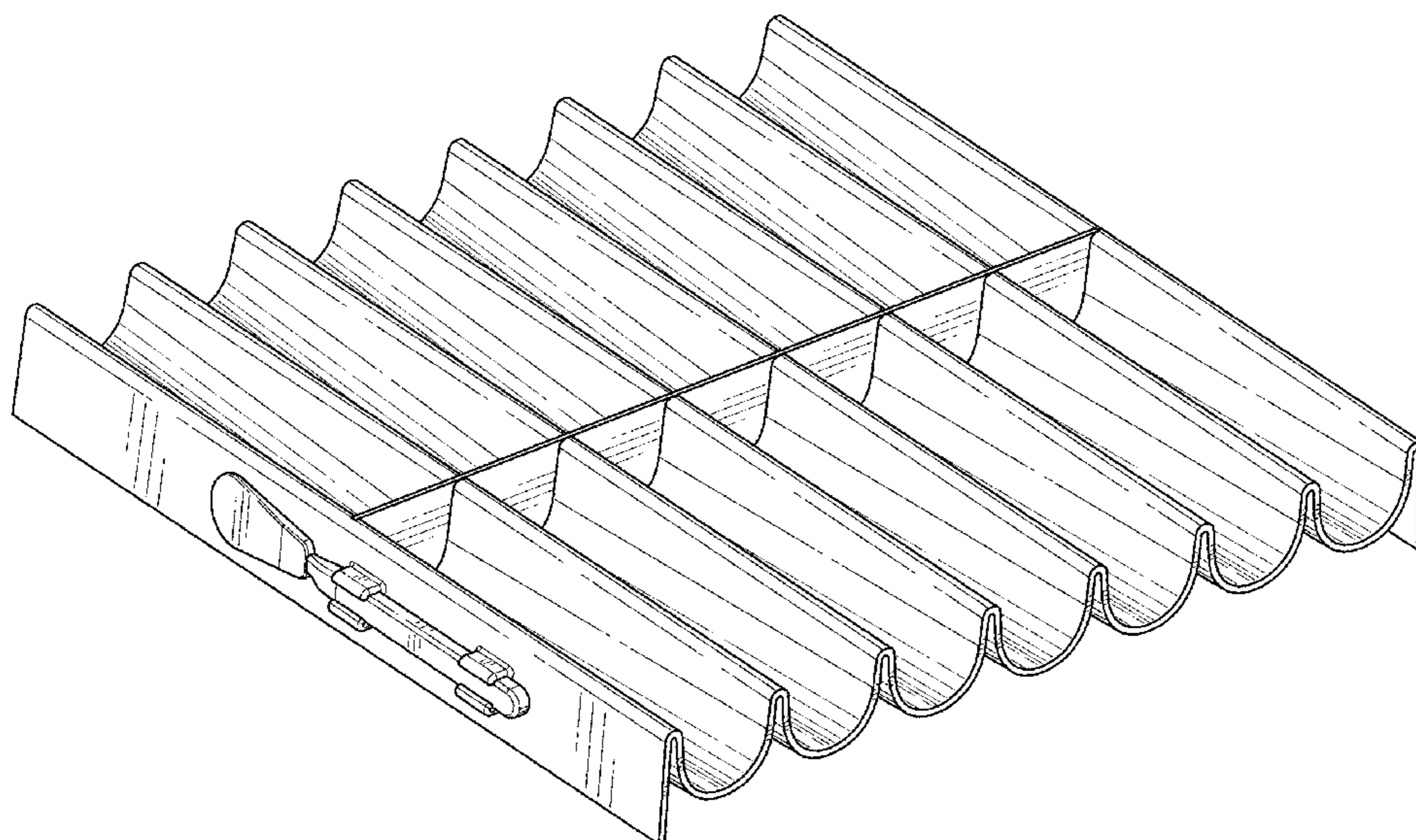
(57) **CLAIM**

The ornamental design for a supplement sorter, as shown.

DESCRIPTION

FIG. 1 is a front perspective view of a supplement sorter; FIG. 2 is a top plan view thereof; FIG. 3 is a bottom plan view thereof; FIG. 4 is a back elevation view thereof; FIG. 5 is a front elevation view thereof; FIG. 6 is a left side elevation view thereof; and, FIG. 7 is a right side elevation view thereof.

1 Claim, 5 Drawing Sheets



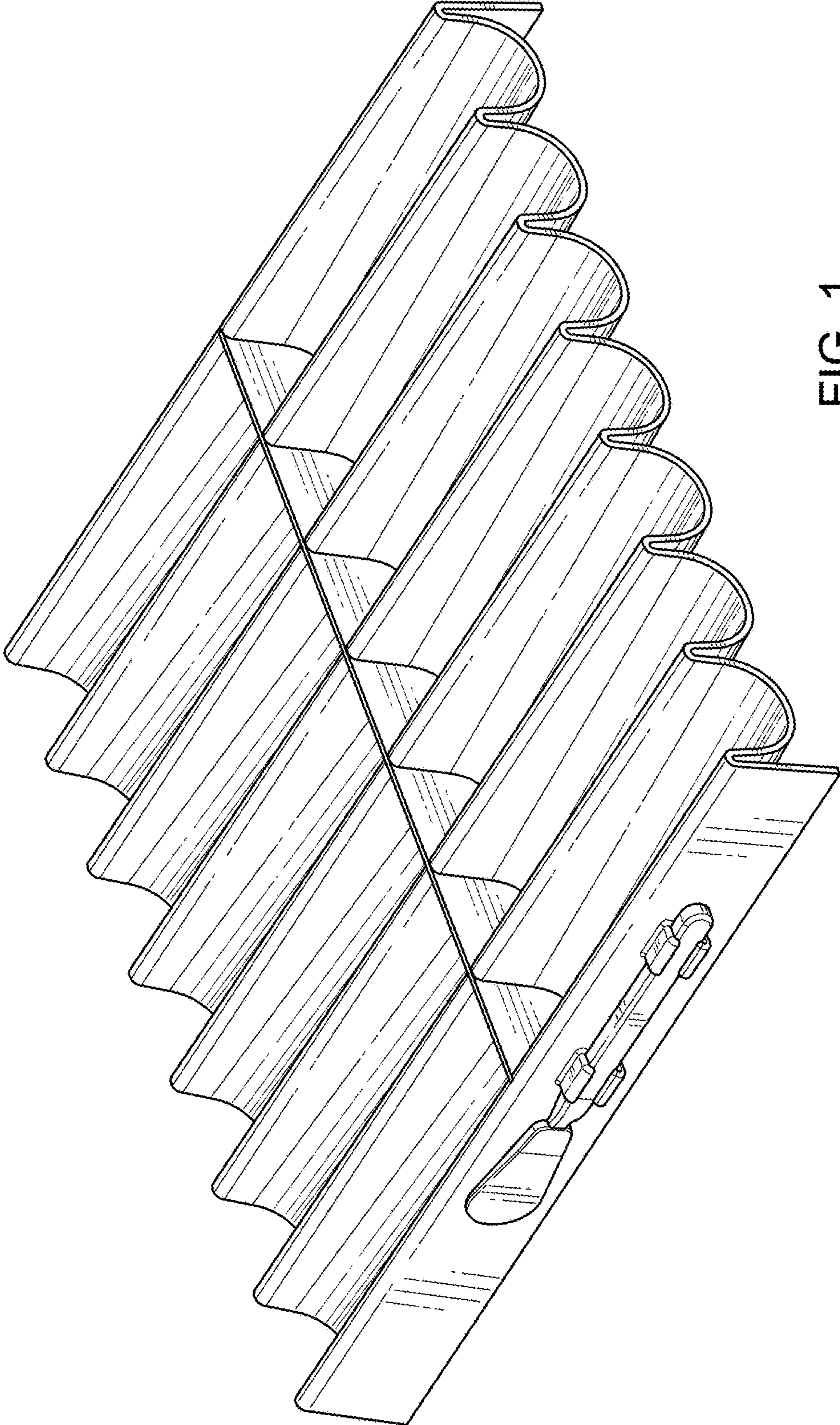


FIG. 1

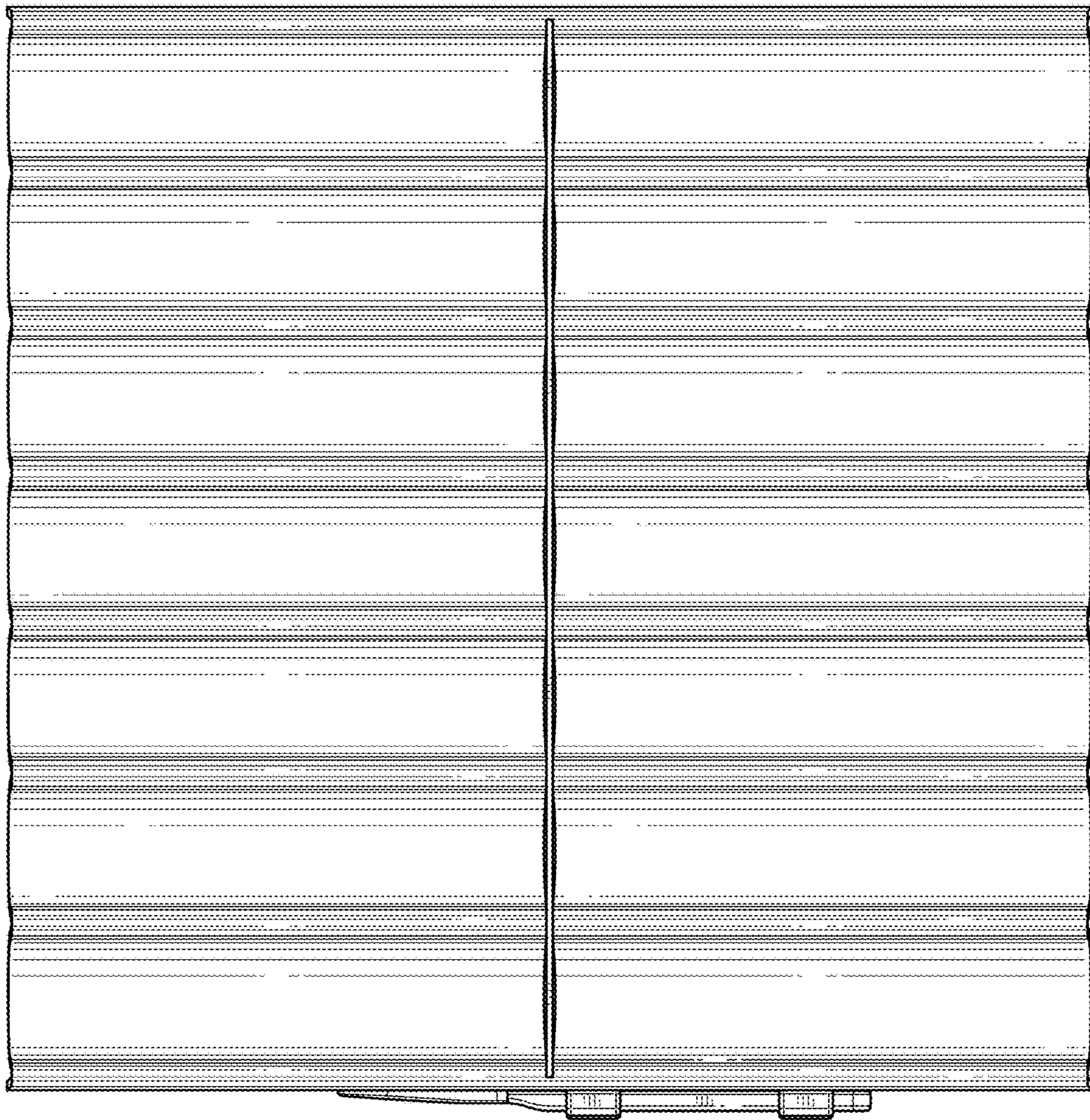


FIG. 2

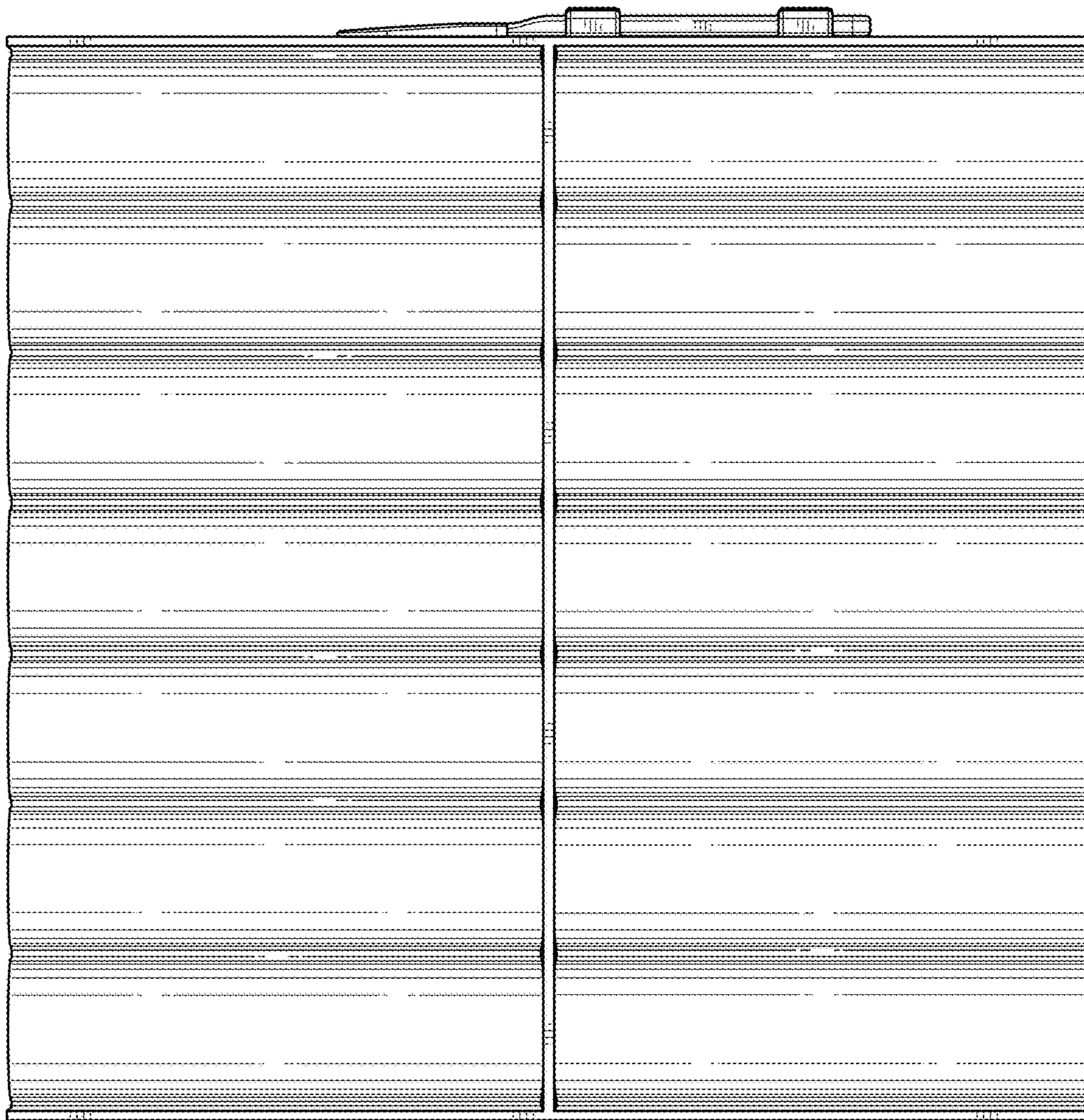


FIG. 3

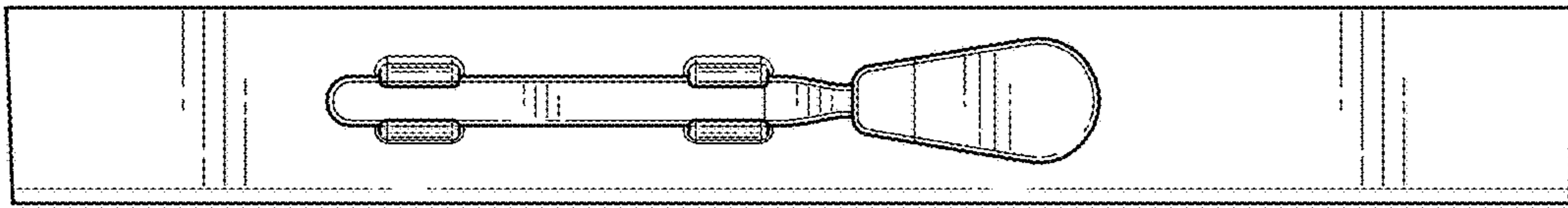


FIG. 5

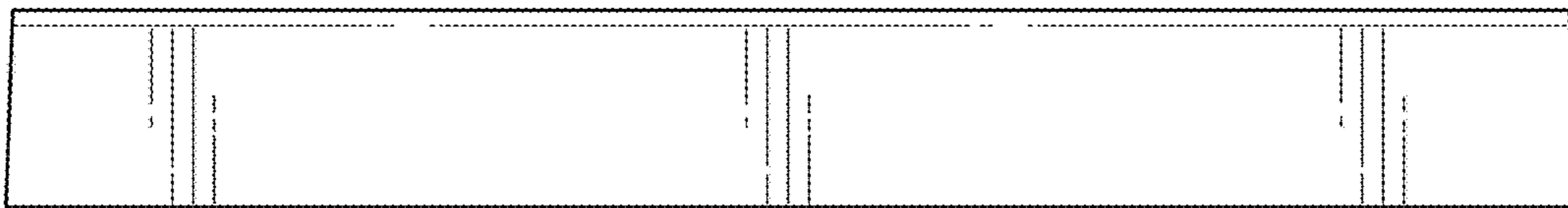


FIG. 4

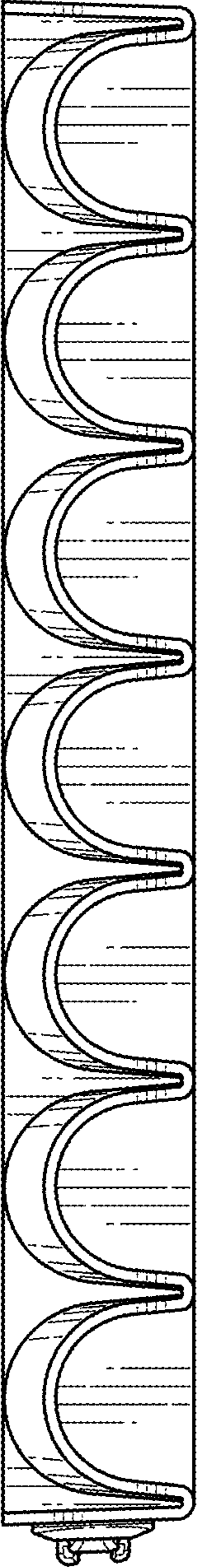


FIG. 6

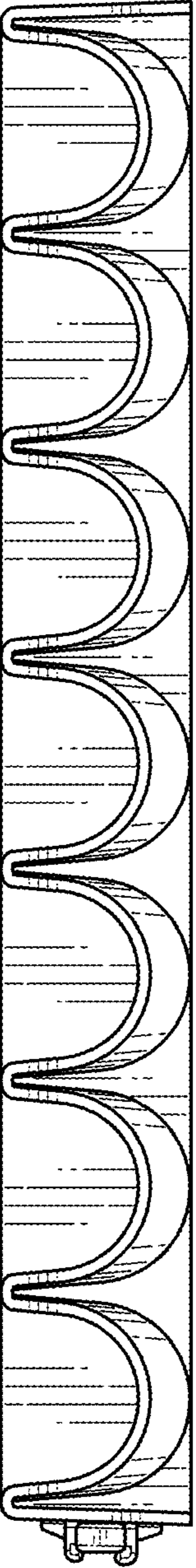


FIG. 7