



US00D842494S

(12) **United States Design Patent** (10) **Patent No.:** **US D842,494 S**  
**Lee** (45) **Date of Patent:** **\*\* Mar. 5, 2019**

(54) **COLLECTION BOTTLE**

(71) Applicant: **BONRAYBIO CO., LTD.**, Taichung (TW)

(72) Inventor: **Hui-Ying Lee**, Changhua County (TW)

(73) Assignee: **BONRAYBIO CO., LTD.**, Taichung (TW)

(\*\*) Term: **15 Years**

(21) Appl. No.: **29/588,819**

(22) Filed: **Dec. 23, 2016**

(30) **Foreign Application Priority Data**

Oct. 19, 2016 (TW) ..... 105306255

(51) **LOC (11) Cl.** ..... **24-01**

(52) **U.S. Cl.**  
USPC ..... **D24/224**

(58) **Field of Classification Search**  
USPC ..... D24/121, 162, 216, 223–226; D9/503, D9/504, 529, 547, 549; D7/510, 511, D7/523

CPC .. B65D 1/0223; B65D 1/0246; B65D 1/0253; B65D 1/0261; B65D 1/06; B65D 1/09; A61J 1/05; A61J 1/06; B01L 3/52  
See application file for complete search history.

(56) **References Cited**

U.S. PATENT DOCUMENTS

D291,659 S \* 9/1987 Powell ..... D7/507  
D390,668 S \* 2/1998 Lewandowski ..... D24/224  
D401,115 S \* 11/1998 Huang ..... D7/589  
5,976,895 A \* 11/1999 Cipkowski ..... A61B 10/007  
422/412  
6,627,152 B1 \* 9/2003 Wong ..... A61B 10/0045  
422/408  
6,799,694 B1 \* 10/2004 Scott ..... A61B 10/007  
220/763

D695,416 S \* 12/2013 Saliaris ..... D24/224  
D731,672 S \* 6/2015 Kuroda ..... D24/224  
D782,876 S \* 4/2017 Rebmann ..... D7/509  
D797,303 S \* 9/2017 Wan ..... D24/224

**OTHER PUBLICATIONS**

Liquefaction Test Cup, posted at bonraybio.com, no posting date available, available online, URL: <http://www.bonraybio.com/en/product.php?act=view&id=4> (Year: 2018).\*

\* cited by examiner

*Primary Examiner* — Anhdao Doan  
*Assistant Examiner* — Mary Shannon Malley  
(74) *Attorney, Agent, or Firm* — JCIPRNET

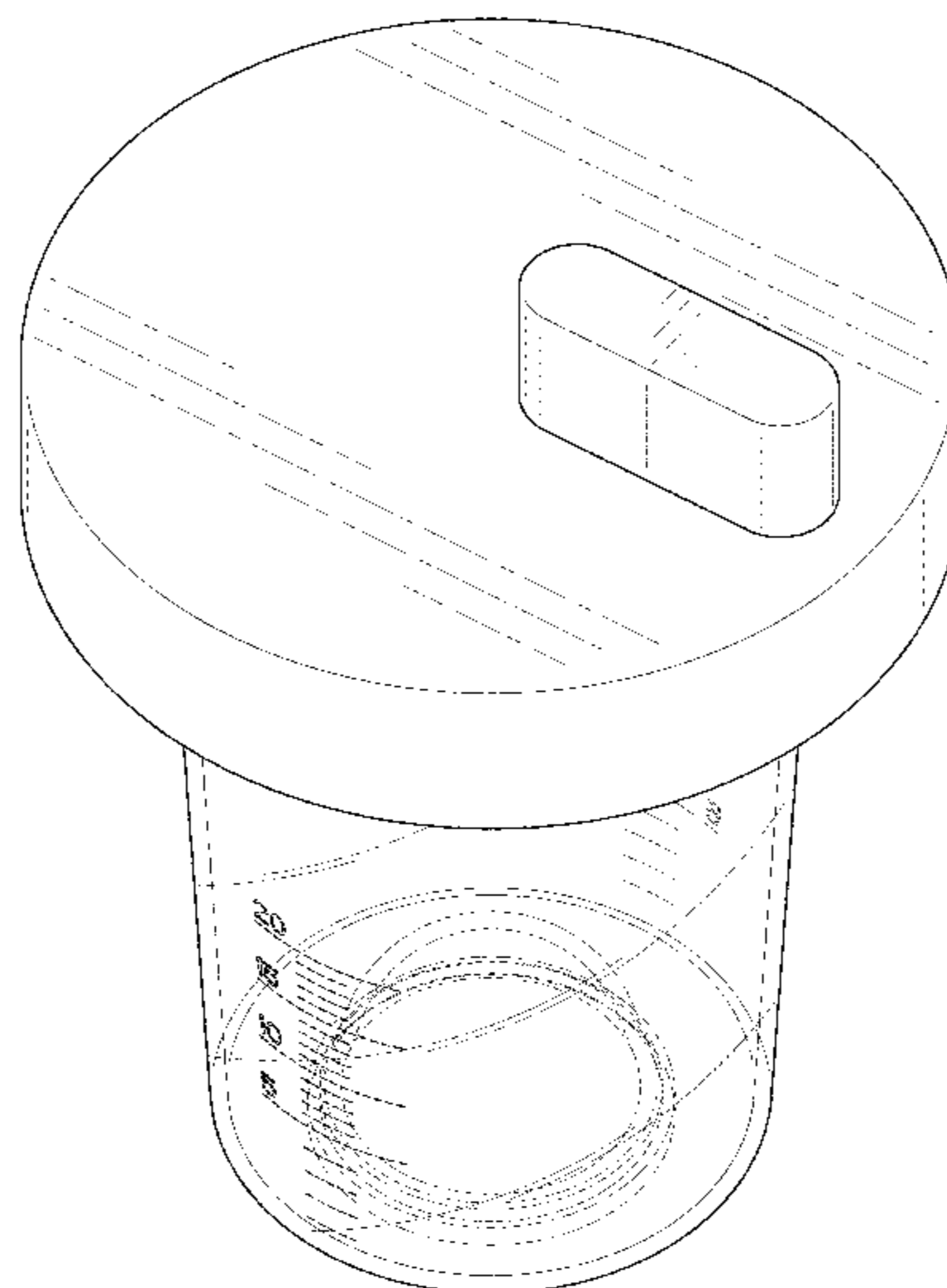
(57) **CLAIM**

The ornamental design for a collection bottle, as shown and described.

**DESCRIPTION**

FIG. 1 is a perspective view of a collection bottle showing my new design;  
FIG. 2 is a front view thereof;  
FIG. 3 is a rear view thereof;  
FIG. 4 is a left side view thereof;  
FIG. 5 is a right side view thereof;  
FIG. 6 is a top view thereof;  
FIG. 7 is a bottom view thereof; and,  
FIG. 8 is a front view thereof showing the state that the upper cap of collection bottle and the collection bottle are detached from each other.  
The dot-dashed broken lines in FIGS. 1 and 7 represent a boundary of the claimed design and form no part of the claimed design. The dashed broken lines are for the purpose of illustrating unclaimed portions of the collection bottle and form no part of the claimed design.

**1 Claim, 8 Drawing Sheets**



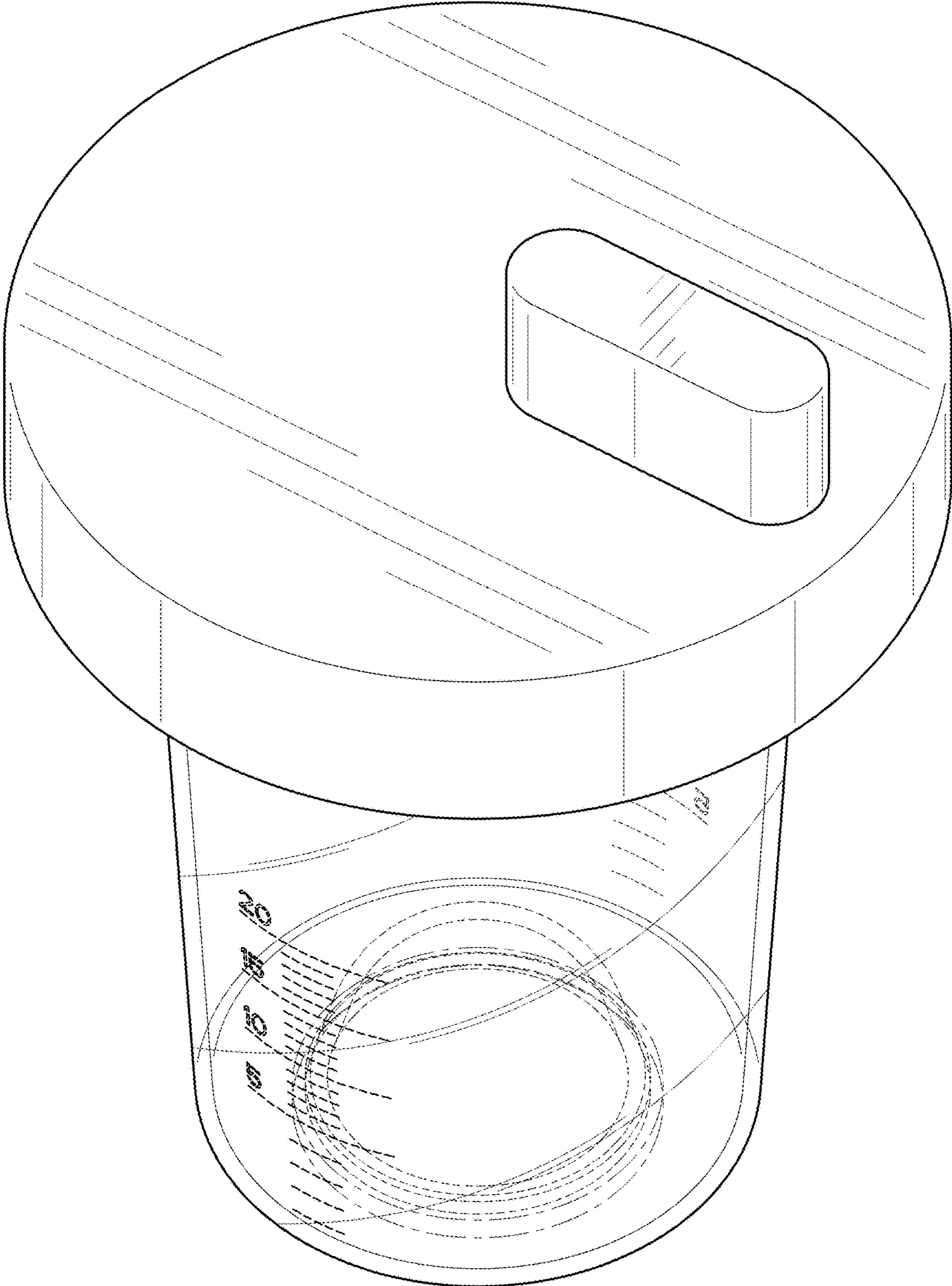


FIG. 1

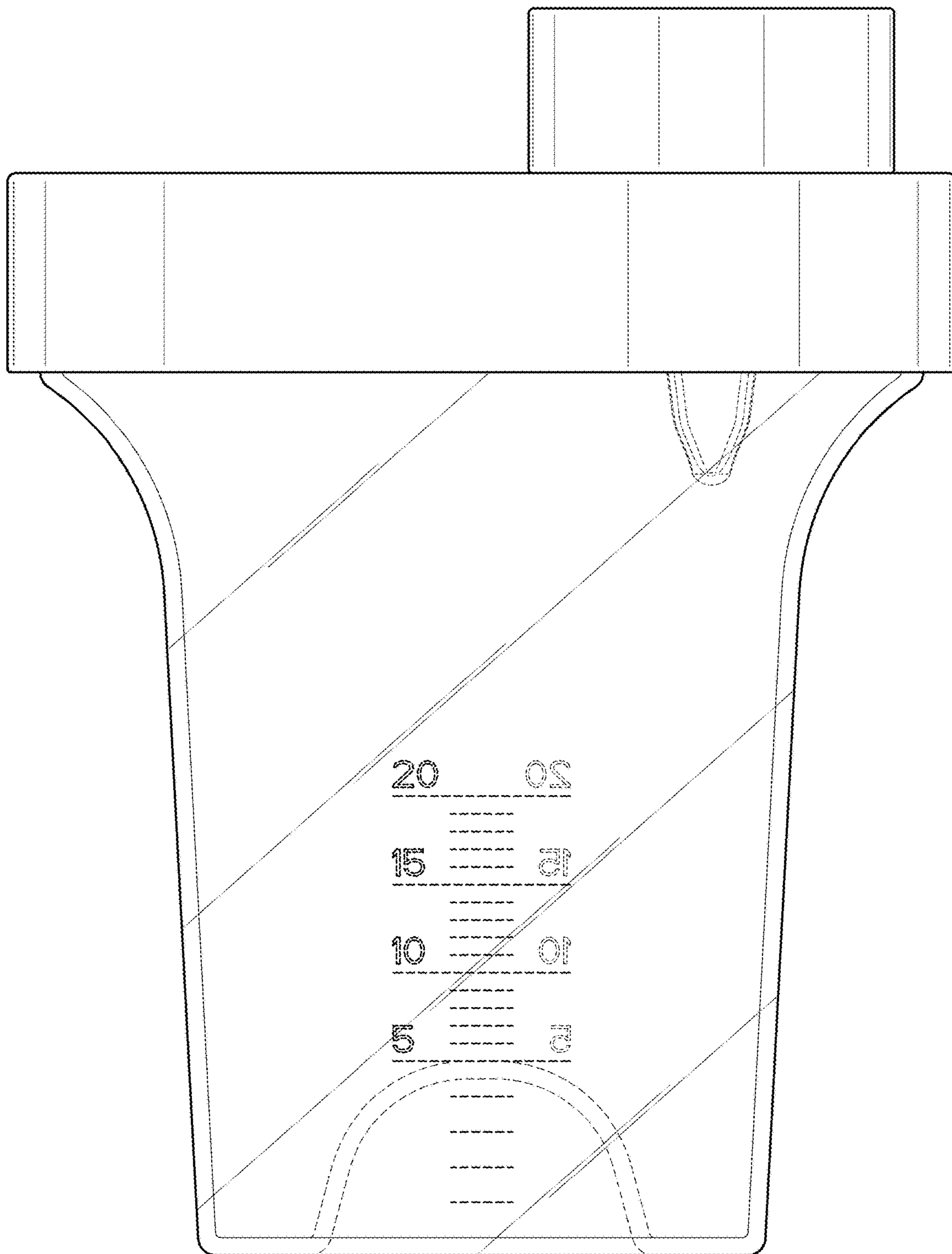


FIG. 2

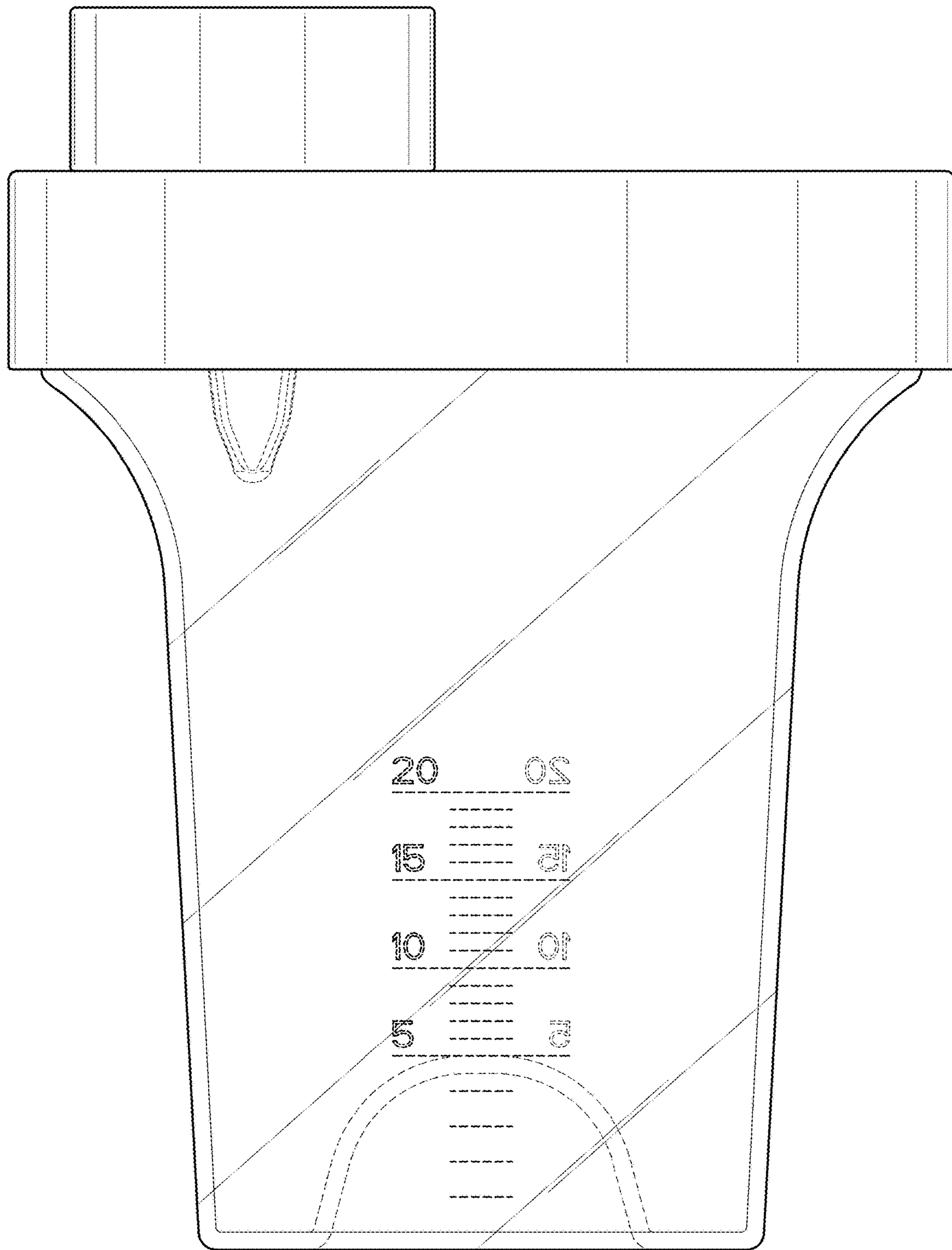


FIG. 3

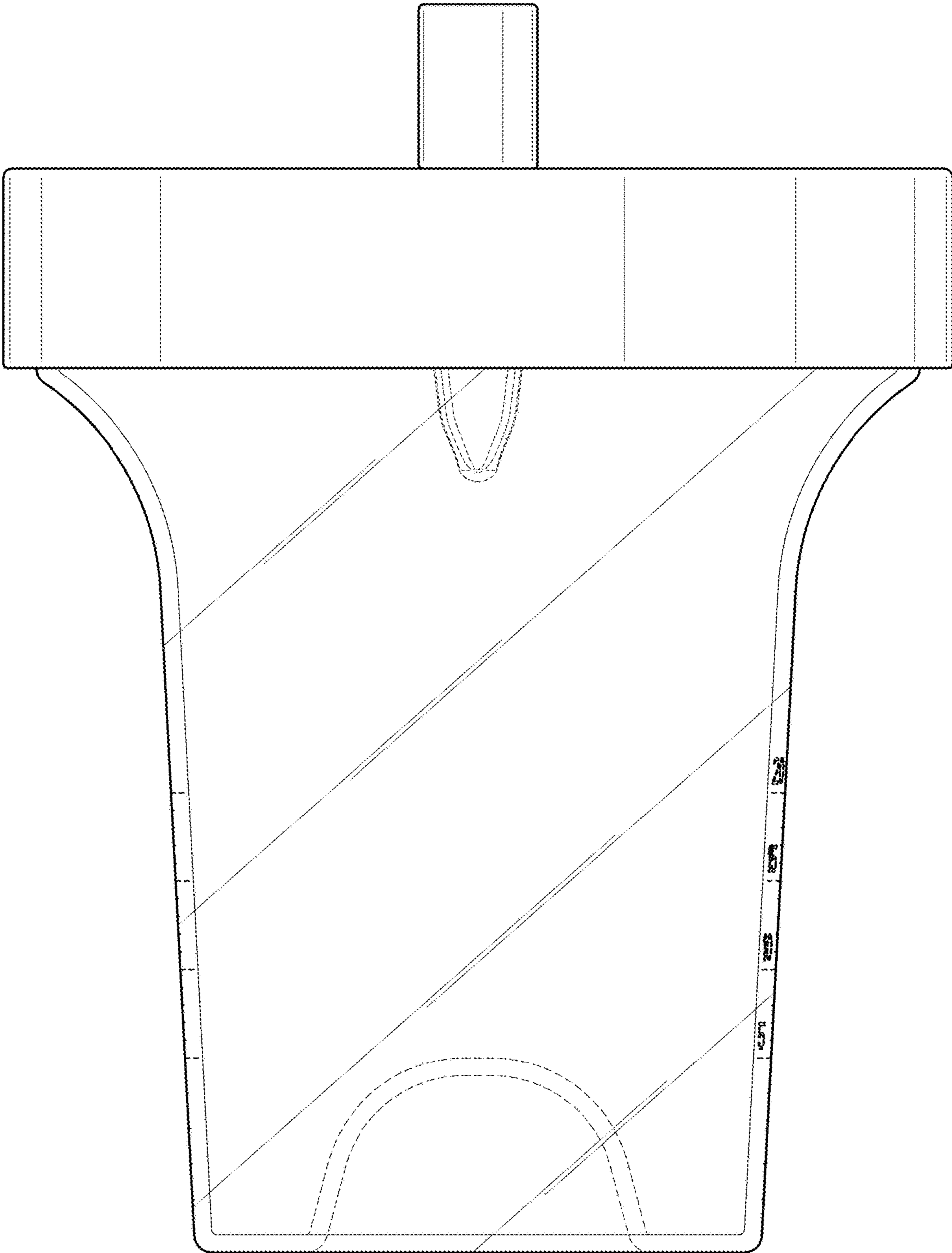


FIG. 4

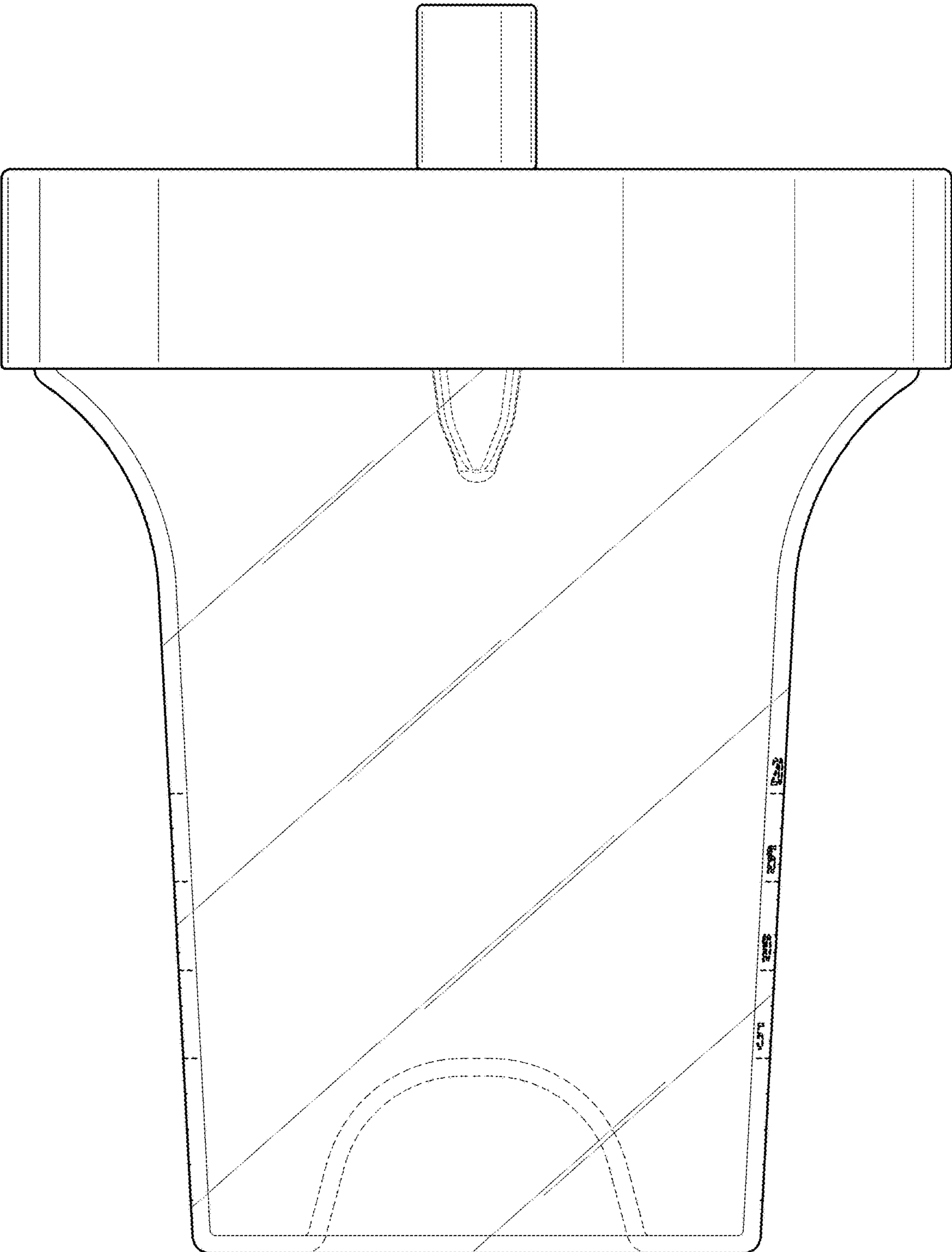


FIG. 5

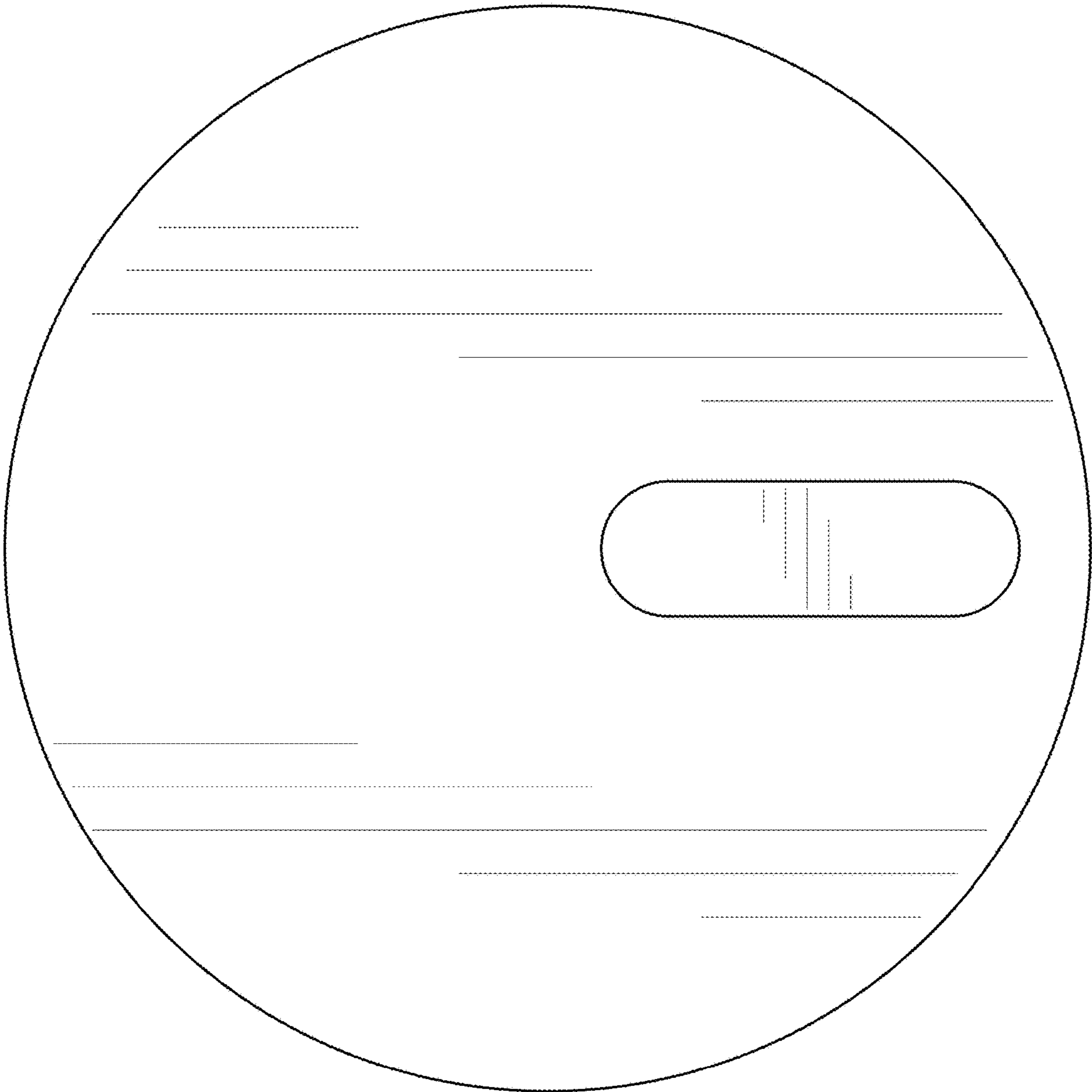


FIG. 6

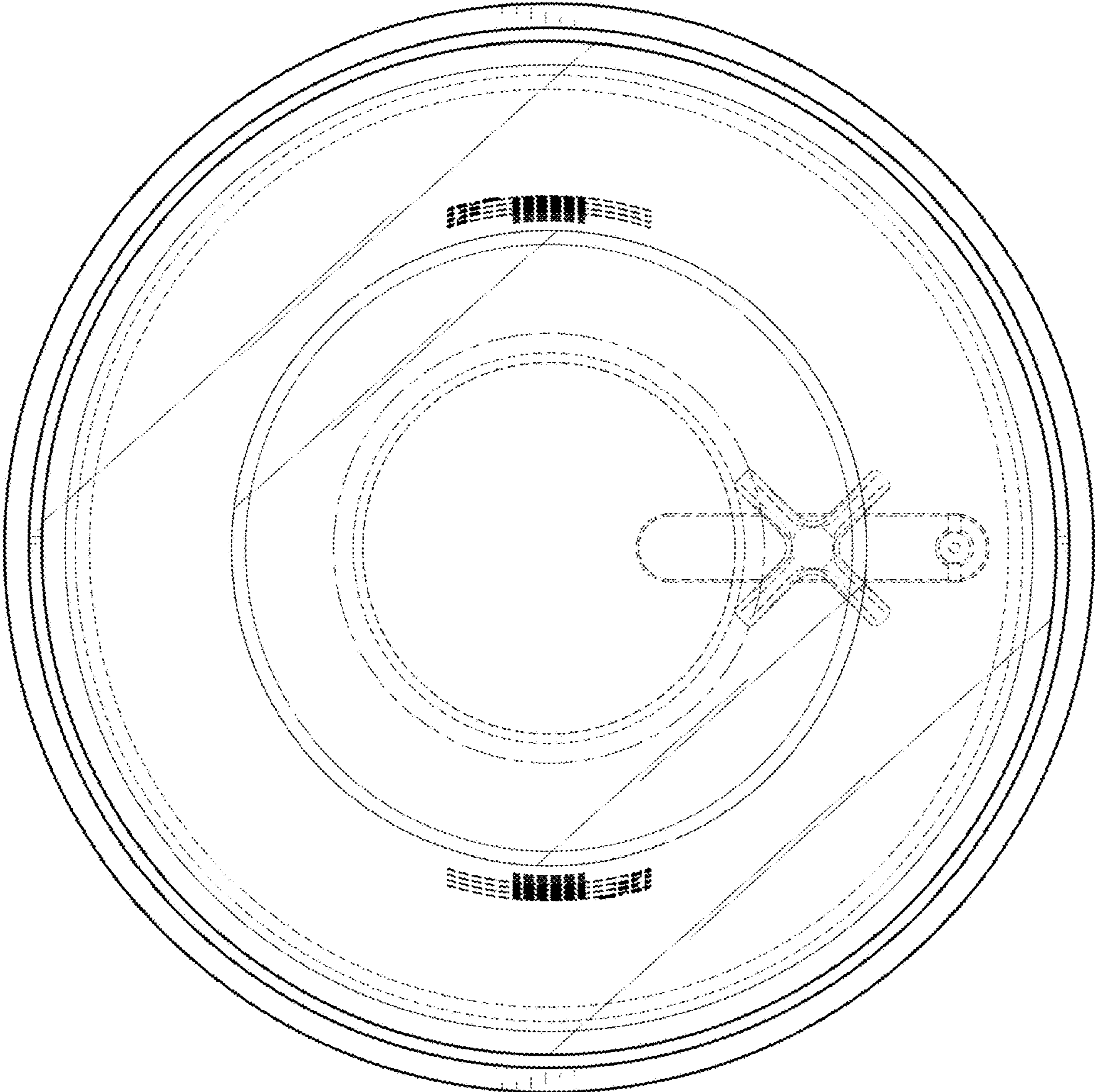


FIG. 7



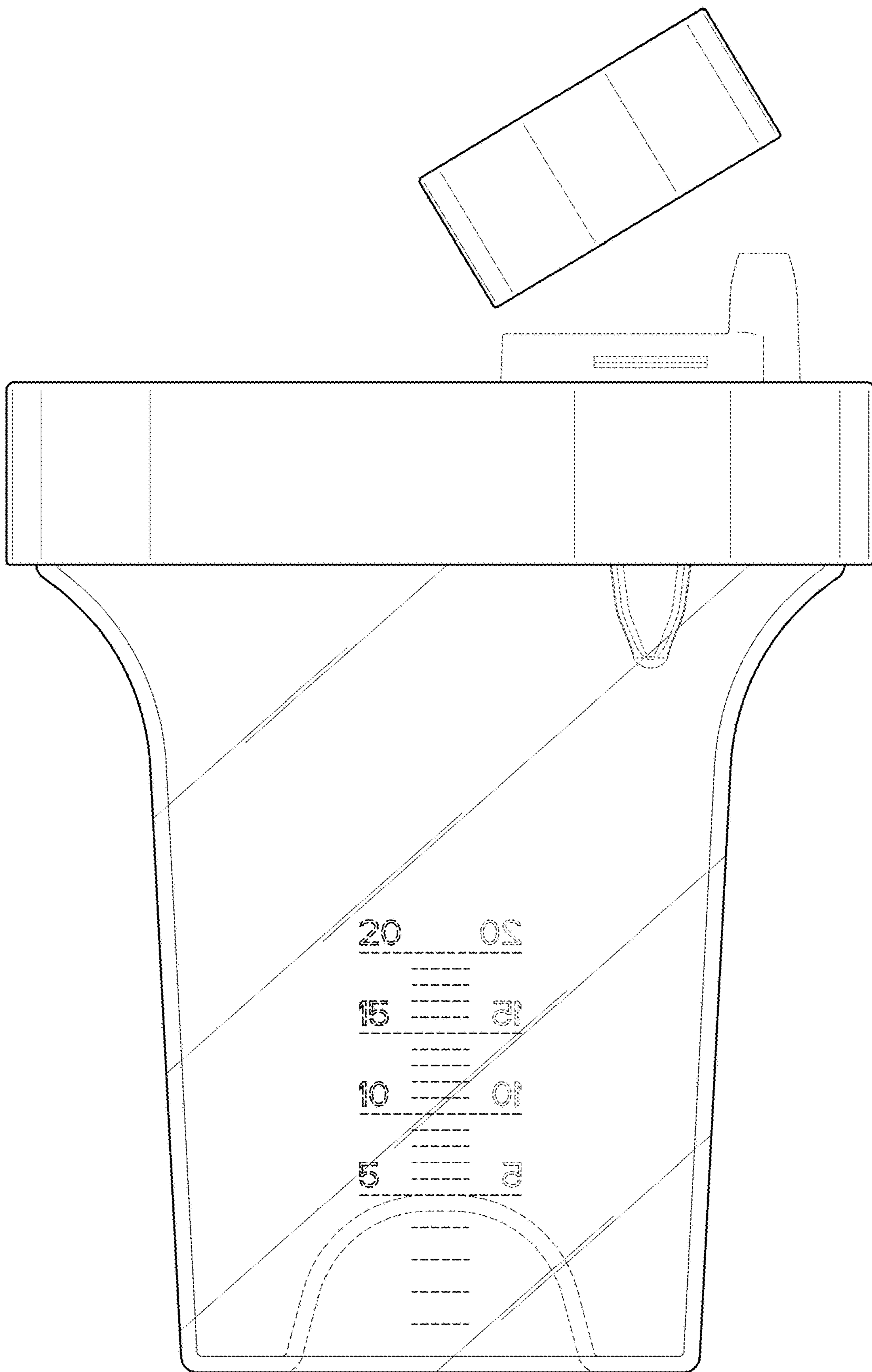


FIG. 8