



US00D842493S

(12) **United States Design Patent**
Levner et al.

(10) **Patent No.:** **US D842,493 S**
(45) **Date of Patent:** **** Mar. 5, 2019**

(54) **MICROFLUIDIC CHIP WITHOUT PRESSURE FEATURES FOR USE WITH A FLUID PERFUSION MODULE**

(71) Applicant: **EMULATE, Inc.**, Boston, MA (US)

(72) Inventors: **Daniel Levner**, Brookline, MA (US); **Guy Robert Thompson, II**, Watertown, MA (US); **Norman Wen**, West Roxbury, MA (US); **Lewis Rowe**, La Verne, CA (US)

(73) Assignee: **EMULATE, Inc.**, Boston, MA (US)

(**) Term: **15 Years**

(21) Appl. No.: **29/576,811**

(22) Filed: **Sep. 7, 2016**

(51) **LOC (11) Cl.** **24-02**

(52) **U.S. Cl.**
USPC **D24/224**

(58) **Field of Classification Search**
USPC D13/180, 182, 184, 199
CPC B01L 3/5027; B01L 3/502715; B01L 3/502723; B01L 3/50273; B01L 3/502738; B01L 3/502761; B01L 3/502784; C12M 23/16
See application file for complete search history.

(56) **References Cited**

U.S. PATENT DOCUMENTS

- D296,193 S * 6/1988 Keeler D9/435
- 6,001,231 A * 12/1999 Kopf-Sill B01L 3/502746
204/451
- 6,176,962 B1 * 1/2001 Soane B01D 57/02
156/273.5
- 6,495,104 B1 * 12/2002 Unno B01L 3/5027
204/601
- 6,536,477 B1 * 3/2003 O'Connor B01L 3/5027
137/833

- 6,755,211 B1 * 6/2004 O'Connor B01L 3/502738
137/315.01
- 7,112,444 B2 * 9/2006 Beebe G01N 33/6818
422/417
- 7,391,020 B2 * 6/2008 Bousse B05B 5/025
250/281
- 7,608,160 B2 * 10/2009 Zhou B01F 5/0683
156/272.2
- 8,763,642 B2 * 7/2014 Vangbo B01L 3/502738
137/859
- 9,561,506 B2 * 2/2017 Taylor
- 9,670,541 B2 * 6/2017 Mehta C12Q 1/6874
- 2002/0134907 A1 * 9/2002 Benett B29C 39/10
249/135
- 2002/0187074 A1 * 12/2002 O'Connor B01F 5/0682
422/82.05
- 2004/0211054 A1 * 10/2004 Morse B01D 65/003
29/623.4
- 2005/0026134 A1 * 2/2005 Miller B01L 3/502746
506/14
- 2006/0228749 A1 * 10/2006 Wang G01N 33/5438
435/6.11
- 2007/0166199 A1 * 7/2007 Zhou B01L 3/5025
422/400

(Continued)

Primary Examiner — Selina Sikder

(74) *Attorney, Agent, or Firm* — Medlen & Carroll, LLP

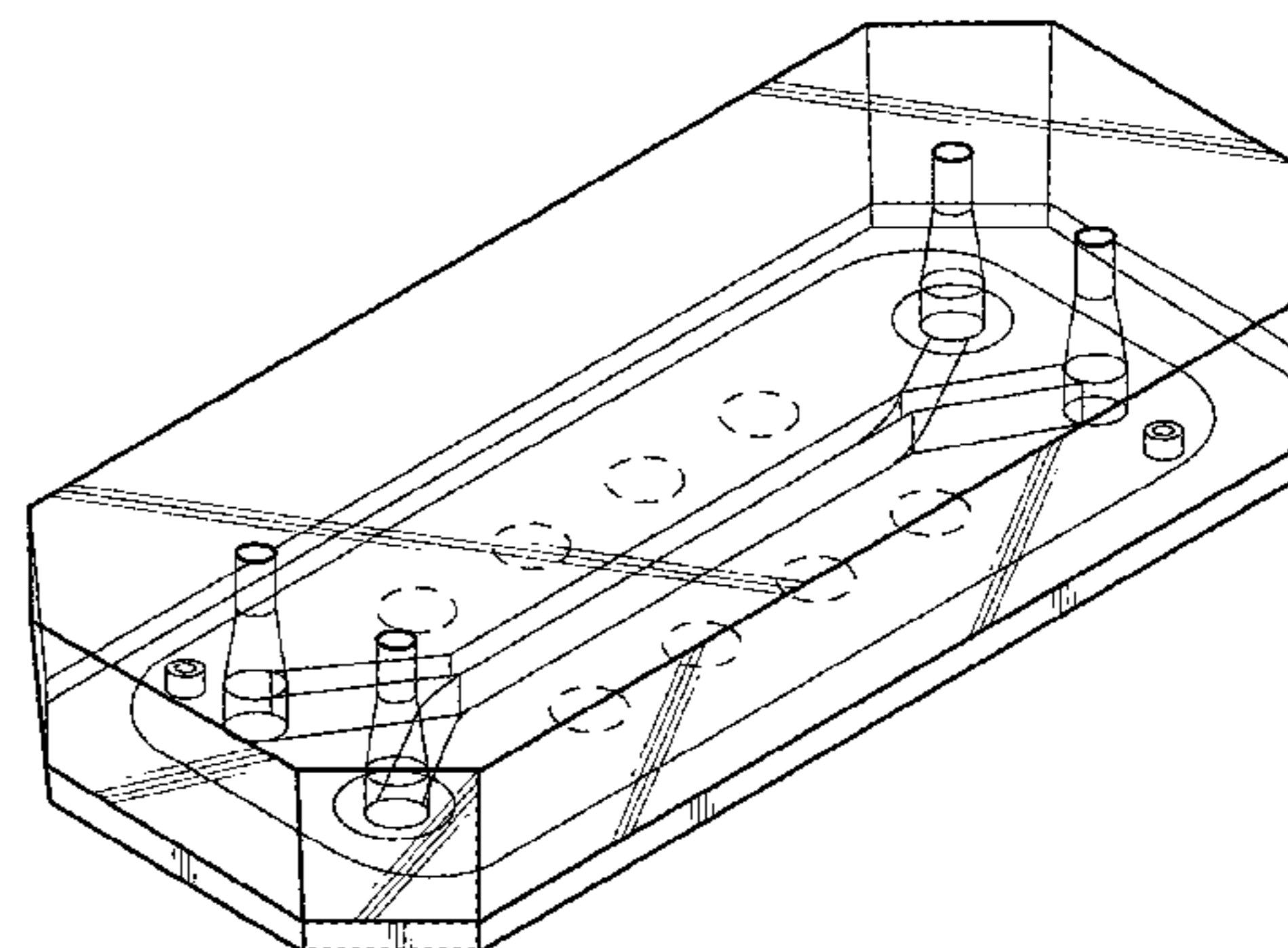
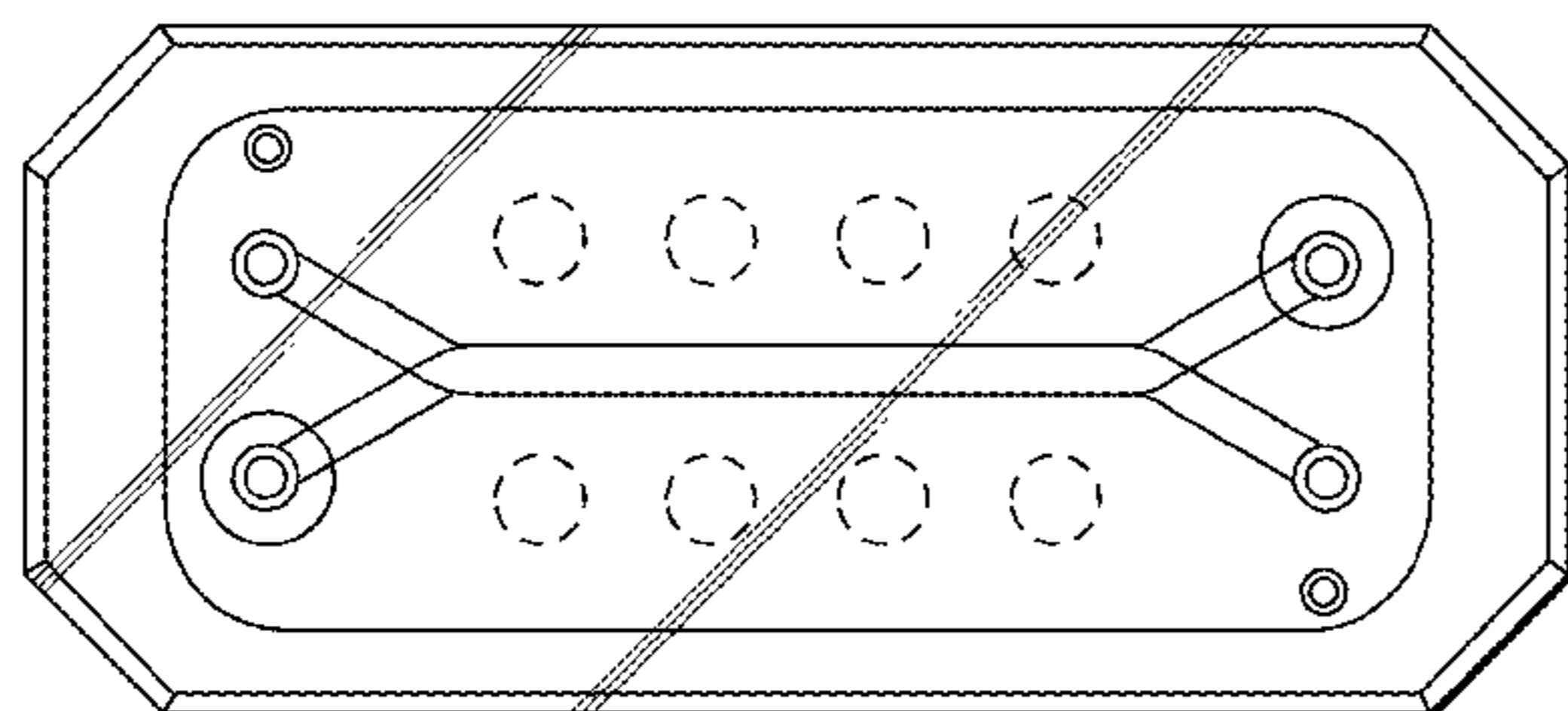
(57) **CLAIM**

The ornamental design for a microfluidic chip without pressure features for use with a fluid perfusion module, as shown and described.

DESCRIPTION

FIG. 1 is a top plan view of the microfluidic chip without pressure features for use with a fluid perfusion module; and, FIG. 2 is a perspective view thereof. The broken lines shown in the drawing are for illustrative purposes only forms no part of the claimed design.

1 Claim, 2 Drawing Sheets



(56)

References Cited

U.S. PATENT DOCUMENTS

2009/0098659	A1 *	4/2009	Abhyankar	B01L 3/5027 436/180	2013/0019688	A1 *	1/2013	Tung	G01L 9/0058 73/719
2009/0234332	A1 *	9/2009	Borenstein	A61M 37/00 604/891.1	2013/0288292	A1 *	10/2013	Meyvantsson	B01L 3/50273 435/30
2009/0305326	A1 *	12/2009	Beebe	B01J 19/0093 435/29	2014/0234954	A1 *	8/2014	Lee	C12M 33/14 435/297.1
2011/0079513	A1 *	4/2011	Stelzle	C12M 21/08 204/451	2014/0273223	A1 *	9/2014	Cho	C12M 23/16 435/396
2011/0082563	A1 *	4/2011	Charest	A61F 2/022 623/23.65	2016/0097028	A1 *	4/2016	Tung	C12M 23/12 435/29
2011/0120562	A1 *	5/2011	Tan	B01L 3/50273 137/1	2016/0136646	A1 *	5/2016	Ingber	B01L 3/563 435/309.1
2011/0250585	A1 *	10/2011	Ingber	C12N 5/0696 435/5	2016/0136895	A1 *	5/2016	Beyer	C12M 33/00 264/241
2012/0070878	A1 *	3/2012	Fink	B01L 3/502707 435/243	2016/0229683	A1 *	8/2016	Phommarine	B81B 1/004
2012/0318726	A1 *	12/2012	Charest	A61M 1/14 210/321.6	2016/0313306	A1 *	10/2016	Ingber	C12M 21/08
					2017/0022464	A1 *	1/2017	Novak	C12M 23/16
					2017/0058257	A1 *	3/2017	Levner	C12M 35/04
					2017/0121659	A1 *	5/2017	Hinojosa	C12M 23/16

* cited by examiner

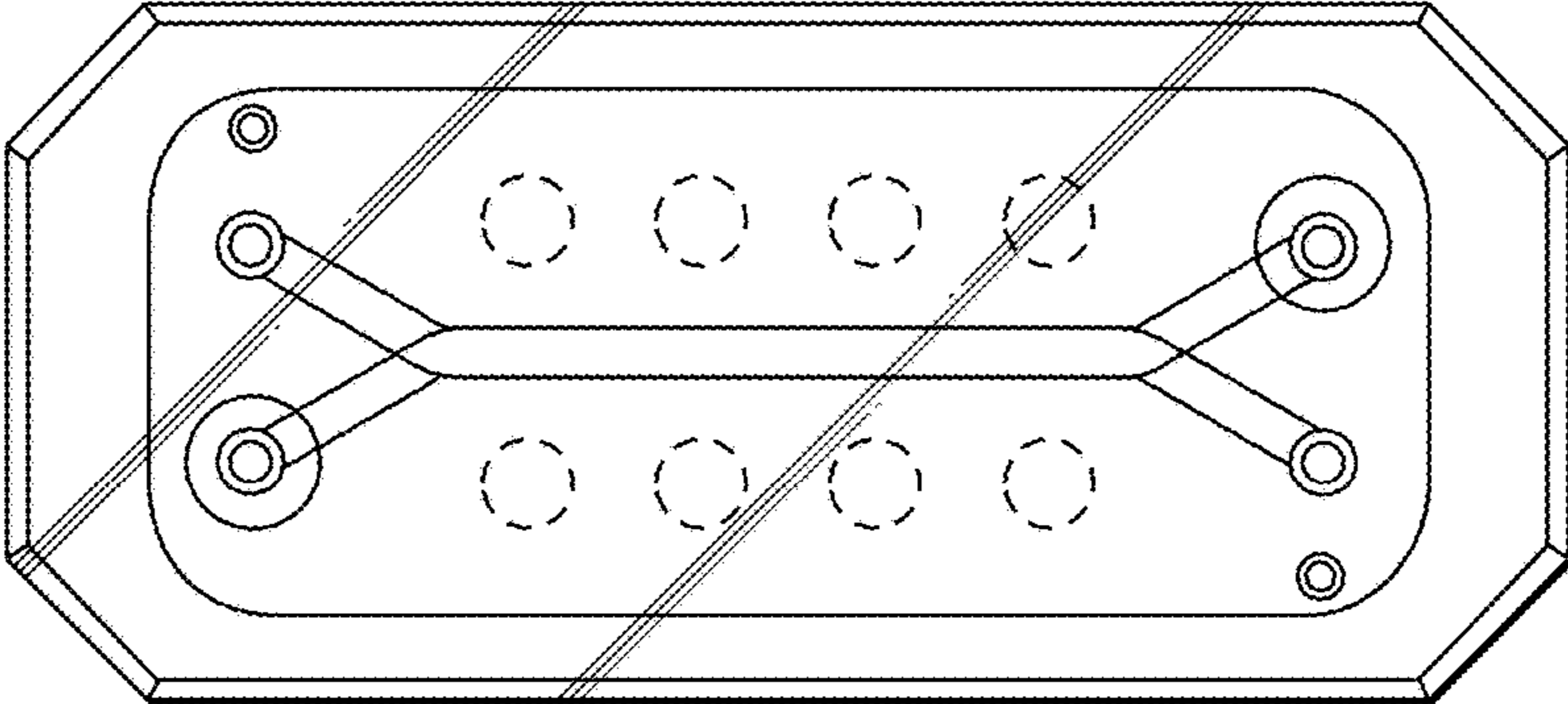


FIG. 1

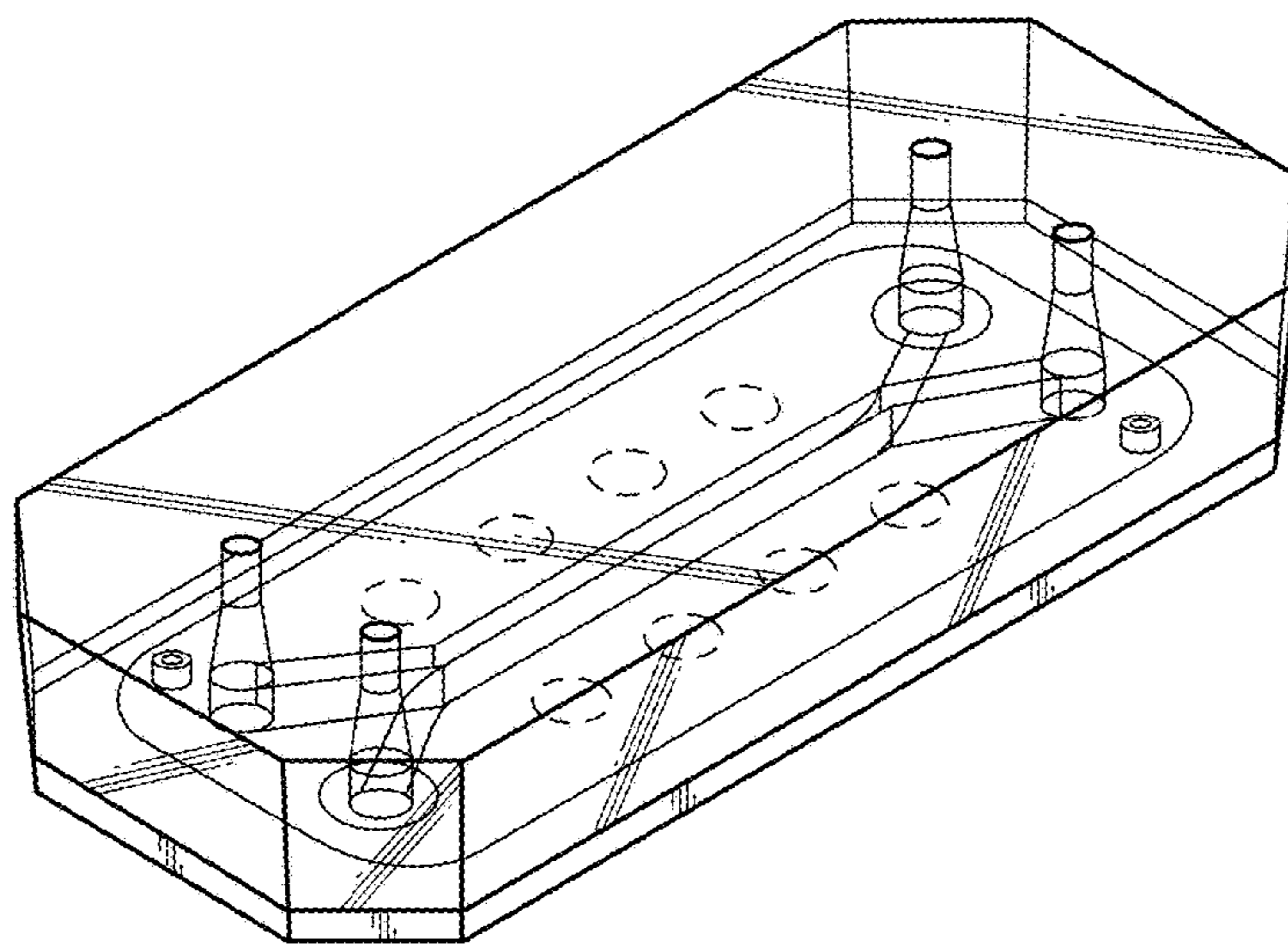


FIG. 2

UNITED STATES PATENT AND TRADEMARK OFFICE
CERTIFICATE OF CORRECTION

PATENT NO. : D842,493 S
APPLICATION NO. : 29/576811
DATED : March 5, 2019
INVENTOR(S) : Guy Robert Thompson, II, Norman Wen and Lewis Rowe

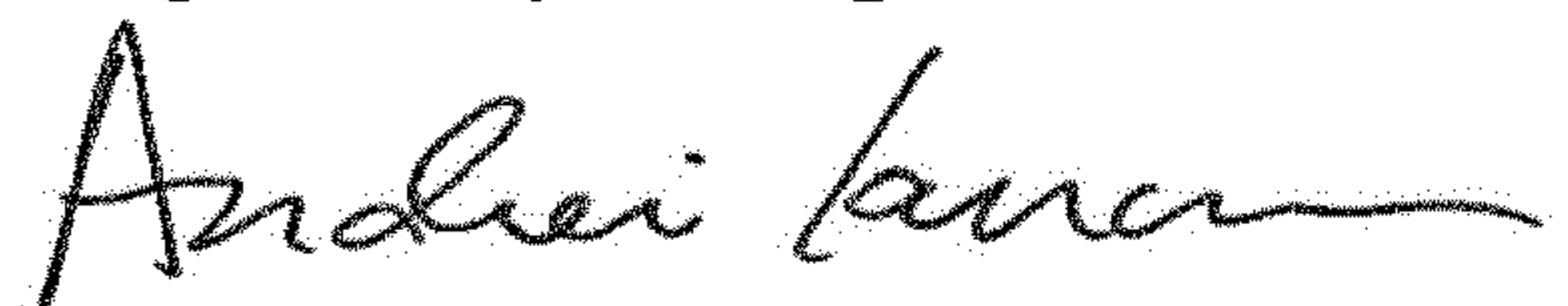
Page 1 of 1

It is certified that error appears in the above-identified patent and that said Letters Patent is hereby corrected as shown below:

On the Title Page

Column 1, Item (72): please delete from the "Inventors": "Daniel Levner, Brookline, MA (US)"

Signed and Sealed this
Eighth Day of September, 2020



Andrei Iancu
Director of the United States Patent and Trademark Office