



US00D842489S

(12) **United States Design Patent** (10) **Patent No.:** **US D842,489 S**  
**Spewock et al.** (45) **Date of Patent:** **\*\* Mar. 5, 2019**

(54) **MESSAGE TOOL**  
(71) Applicant: **Body Iron LLC**, Howell, MI (US)  
(72) Inventors: **Justin W. Spewock**, Howell, MI (US);  
**Kenan Wollborg**, Inkster, MI (US)  
(73) Assignee: **BODY IRON LLC**, Howell, MI (US)

D438,975 S \* 3/2001 Chen ..... D24/211  
D444,882 S \* 7/2001 Chen ..... D24/211  
D444,883 S \* 7/2001 Chen ..... D24/211  
D466,695 S \* 12/2002 Chen ..... D24/211  
D491,271 S \* 6/2004 Siegfried ..... D24/211  
D499,186 S \* 11/2004 Chien ..... D24/211

(Continued)

(\*\*) Term: **15 Years**  
(21) Appl. No.: **29/604,995**

FOREIGN PATENT DOCUMENTS

CA 2175516 11/1997  
CN 2513565 10/2002  
JP 2000093232 3/2016

(22) Filed: **May 22, 2017**  
(51) **LOC (11) Cl.** ..... **28-03**  
(52) **U.S. Cl.**  
USPC ..... **D24/215**  
(58) **Field of Classification Search**  
USPC .. 601/15, 18, 19, 27, 28-32, 46, 47, 48, 52,  
601/72, 99, 112, 113, 118, 135, 137,  
601/DIG. 12, DIG. 14, DIG. 15, DIG. 16,  
601/DIG. 17; D24/200, 211, 212, 213,  
D24/214, 215; D30/160; 600/38  
CPC ..... A61H 19/44; A61H 2007/009; A61H  
2201/0134; A61H 23/0254; A61H 7/007  
See application file for complete search history.

OTHER PUBLICATIONS

Massage apparatus, www.orbit.com. Chinese Patent Application  
No. 200730138704. Date: Mar. 5, 2008. Shown on p. 1. (Year:  
2008).\*

*Primary Examiner* — Cynthia Ramirez  
*Assistant Examiner* — Michael A Maharajh  
(74) *Attorney, Agent, or Firm* — William H. Honaker;  
Dickinson Wright PLLC

(56) **References Cited**

U.S. PATENT DOCUMENTS

2,895,469 A 7/1959 Regley  
3,545,434 A 12/1970 Woodruff  
D245,864 S 9/1977 Gelbart  
D261,428 S \* 10/1981 Noble ..... D24/211  
D262,908 S 2/1982 Pesco  
D269,376 S 6/1983 Nakao et al.  
D273,708 S \* 5/1984 Haug ..... D23/214  
4,603,688 A 8/1986 Roming  
4,730,605 A 3/1988 Nobel et al.  
D346,660 S 5/1994 Chiang  
5,311,860 A 5/1994 Doria  
D418,920 S \* 1/2000 Chen ..... D24/211  
D419,680 S \* 1/2000 Chen ..... D24/211  
D419,681 S \* 1/2000 Chen ..... D24/211  
D435,661 S \* 12/2000 Chen ..... D24/211

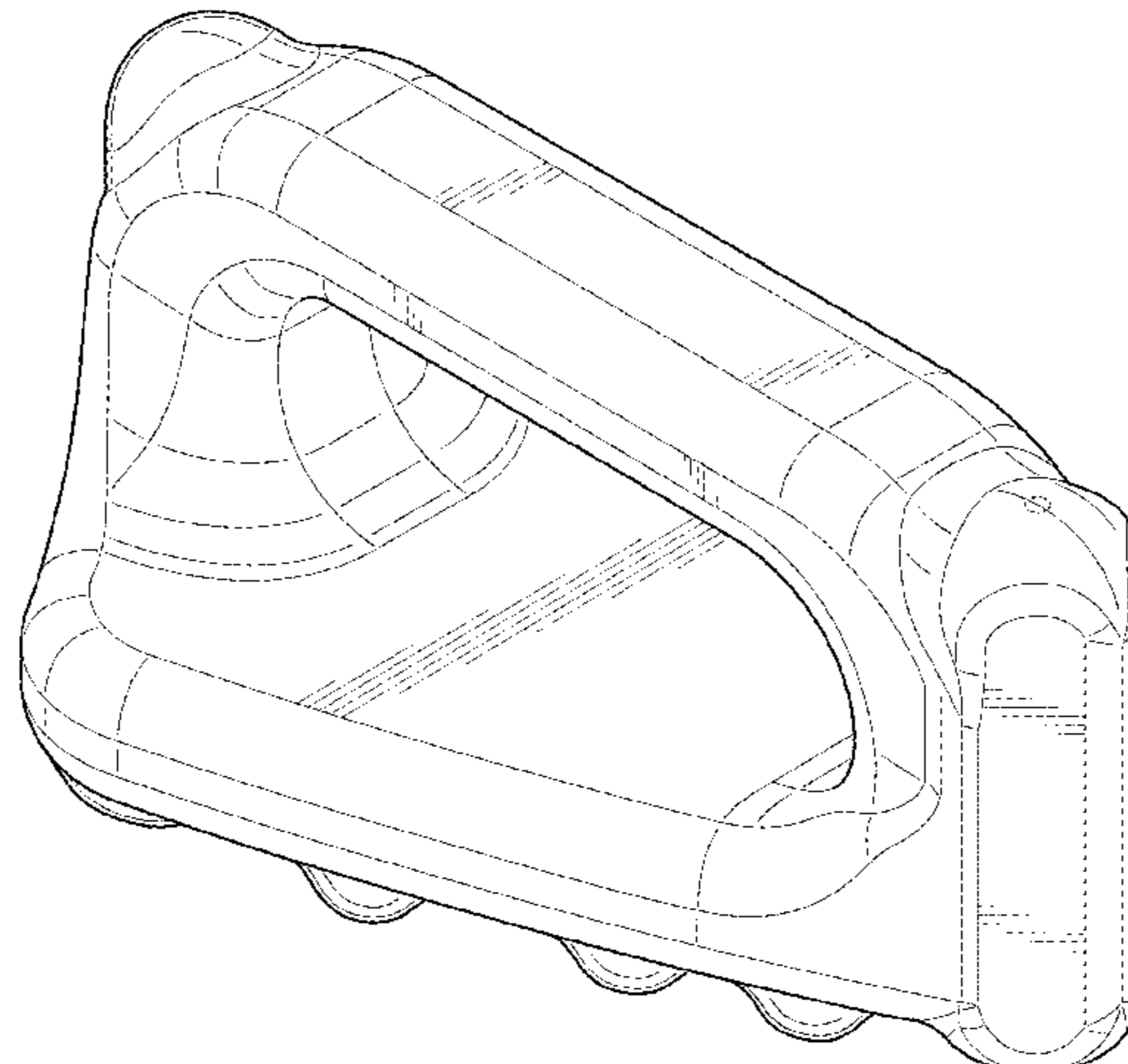
(57) **CLAIM**

The ornamental design for a massage tool, as shown and  
described.

**DESCRIPTION**

FIG. 1 is a perspective view of a massage tool showing my  
new design.  
FIG. 2 is a left side view thereof.  
FIG. 3 is a right side view thereof.  
FIG. 4 is a top view thereof.  
FIG. 5 is a bottom view thereof.  
FIG. 6 is a front view thereof; and,  
FIG. 7 is a back view thereof.  
The broken lines shown in the drawings are for the purpose  
of illustrating portions of the massage tool, which form no  
part of the claimed design.

**1 Claim, 6 Drawing Sheets**



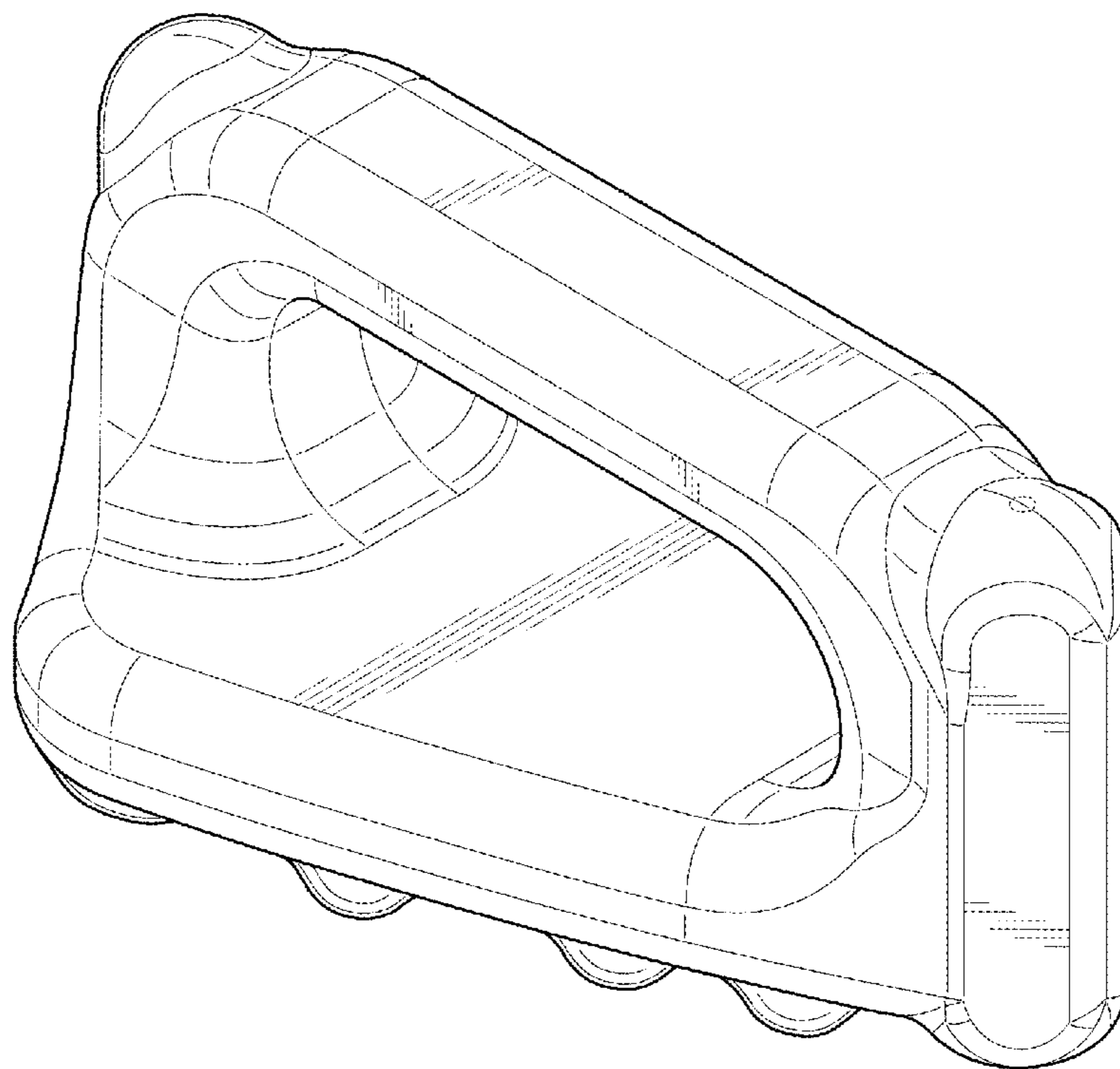
(56)

**References Cited**

U.S. PATENT DOCUMENTS

D499,810 S \* 12/2004 Chien ..... D24/211  
D537,166 S \* 2/2007 Huang ..... D24/211  
D542,418 S \* 5/2007 Chen ..... D24/211  
D558,886 S 1/2008 Chen  
D583,064 S \* 12/2008 Ferber ..... D24/214  
D599,029 S \* 8/2009 Ferber ..... D24/214  
1,012,653 A1 12/2011 Knickerbocker  
D668,385 S \* 10/2012 Huljak ..... D24/211  
D673,285 S \* 12/2012 Rivero ..... D24/215  
D697,220 S \* 1/2014 Clementes ..... D24/211  
D712,058 S 8/2014 Huang  
D724,752 S \* 3/2015 Huang ..... D24/215  
2017/0340510 A1 \* 11/2017 Spewock ..... A61H 7/007

\* cited by examiner



**FIG. 1**

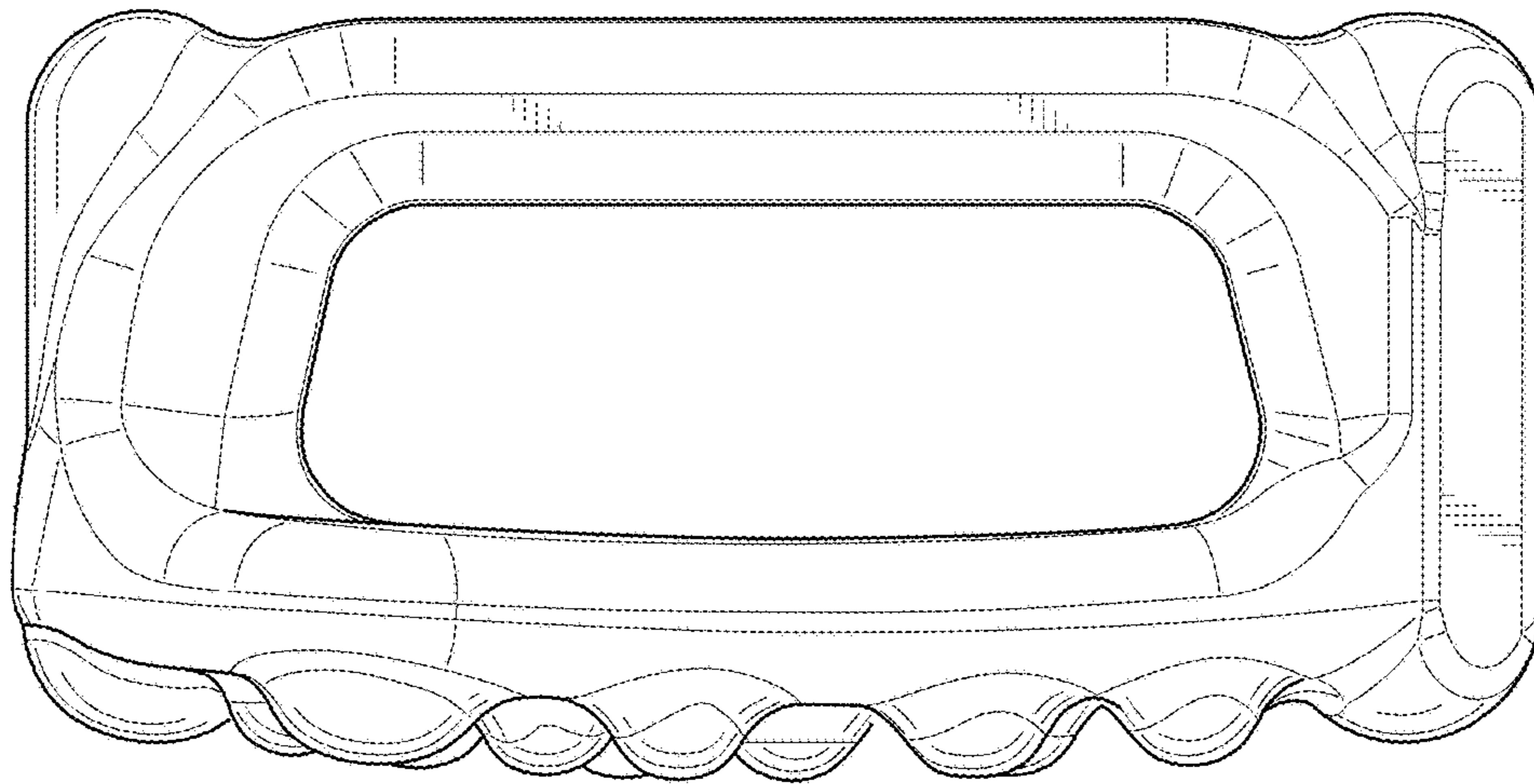


FIG. 2

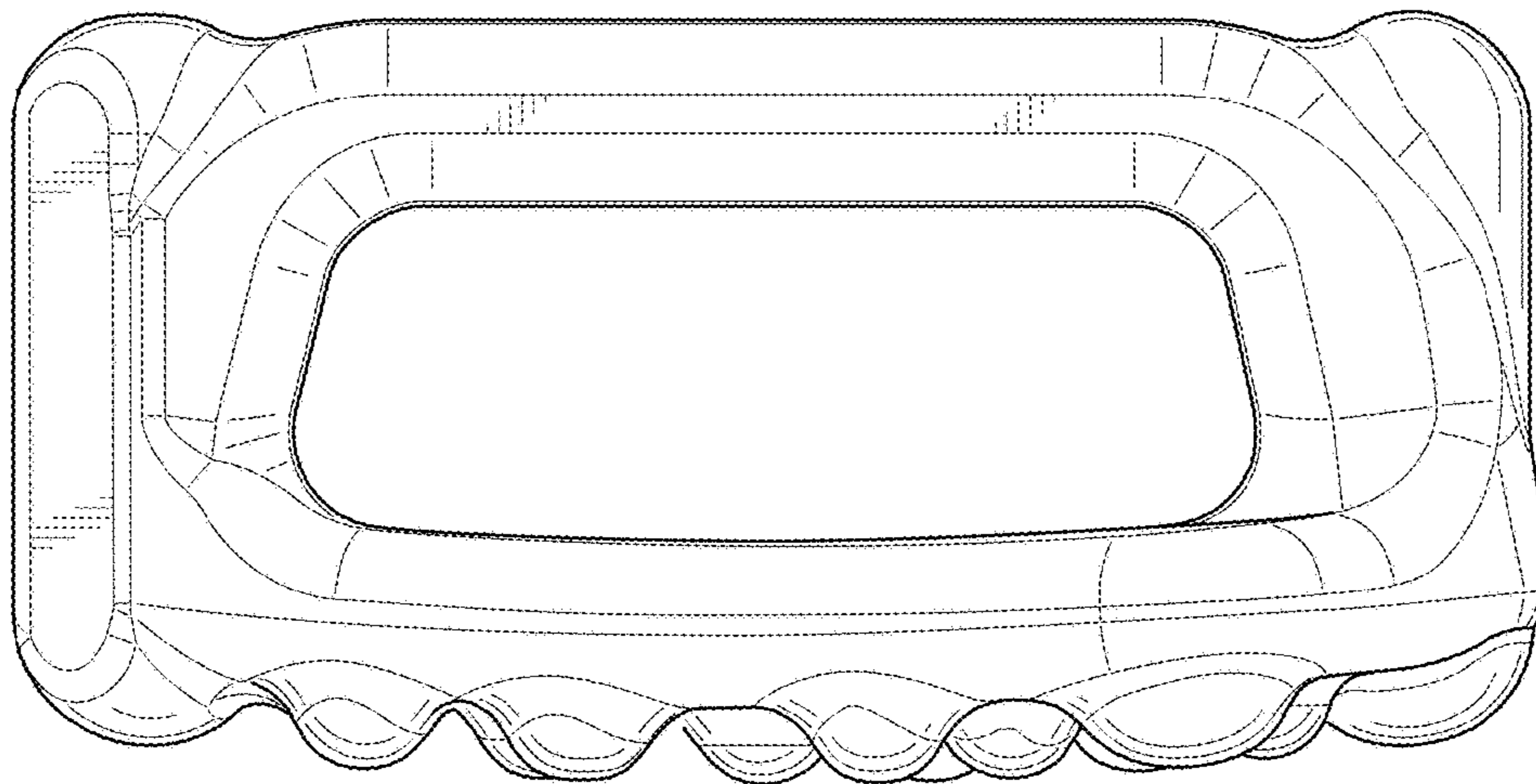


FIG. 3

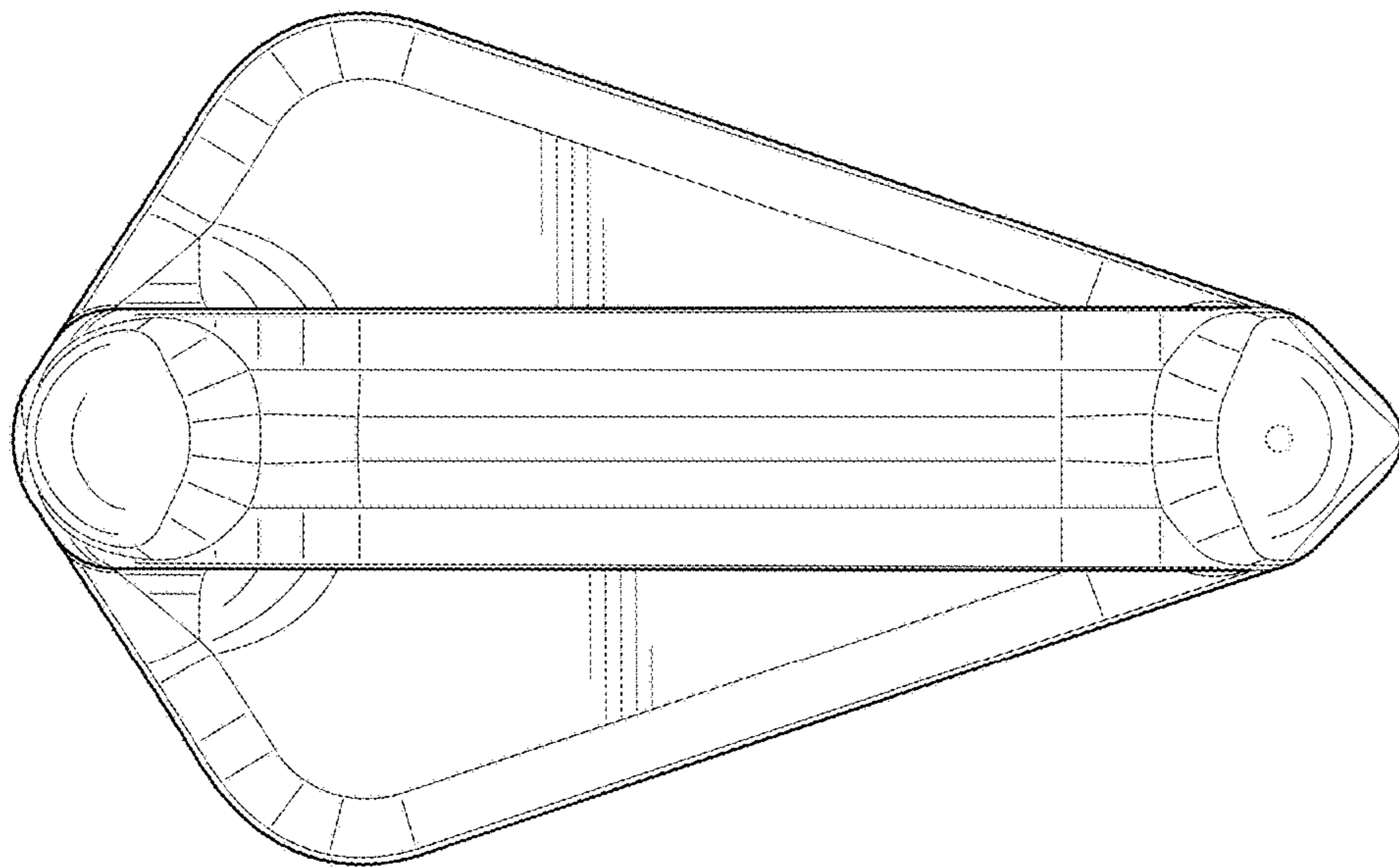


FIG. 4

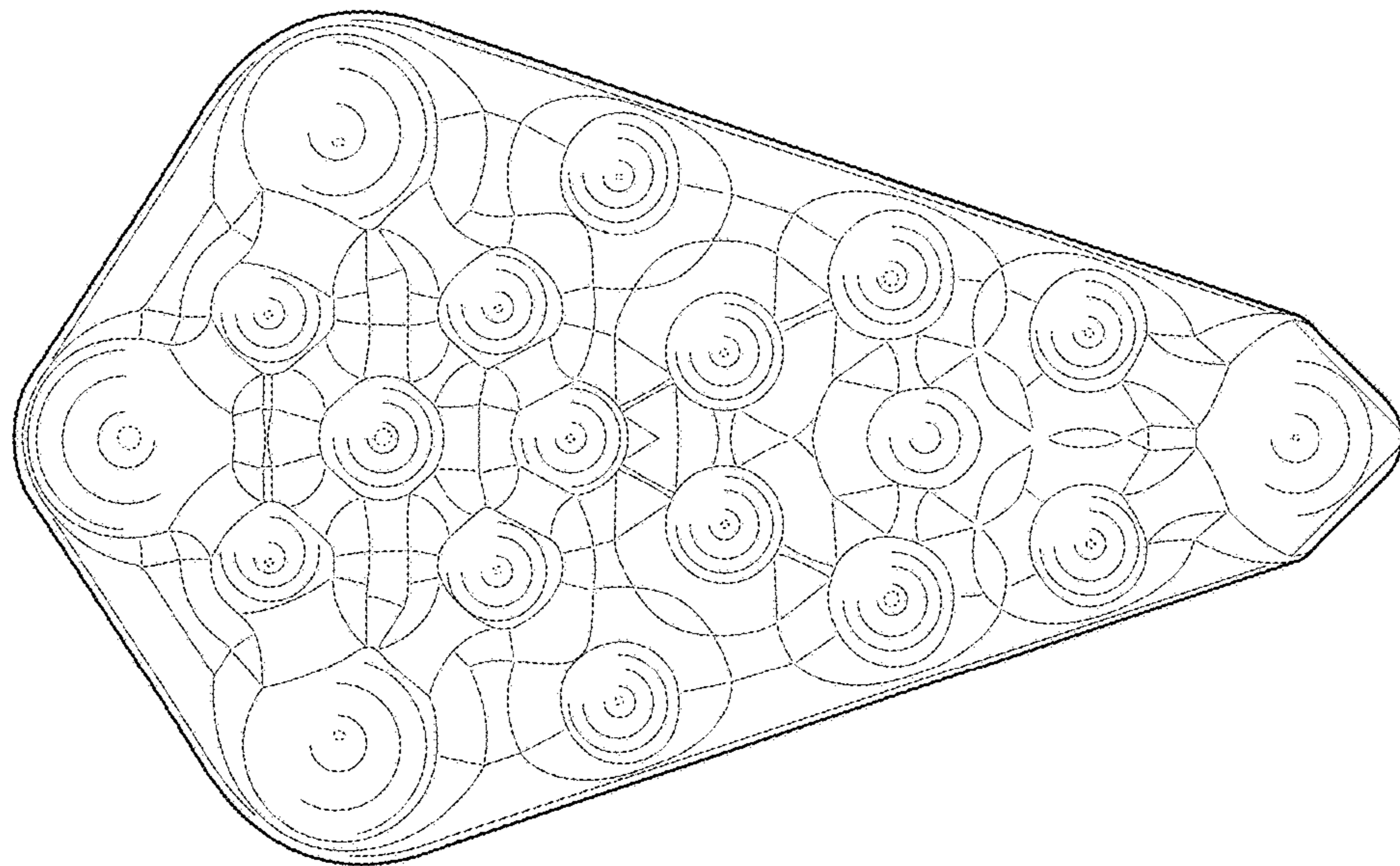


FIG. 5

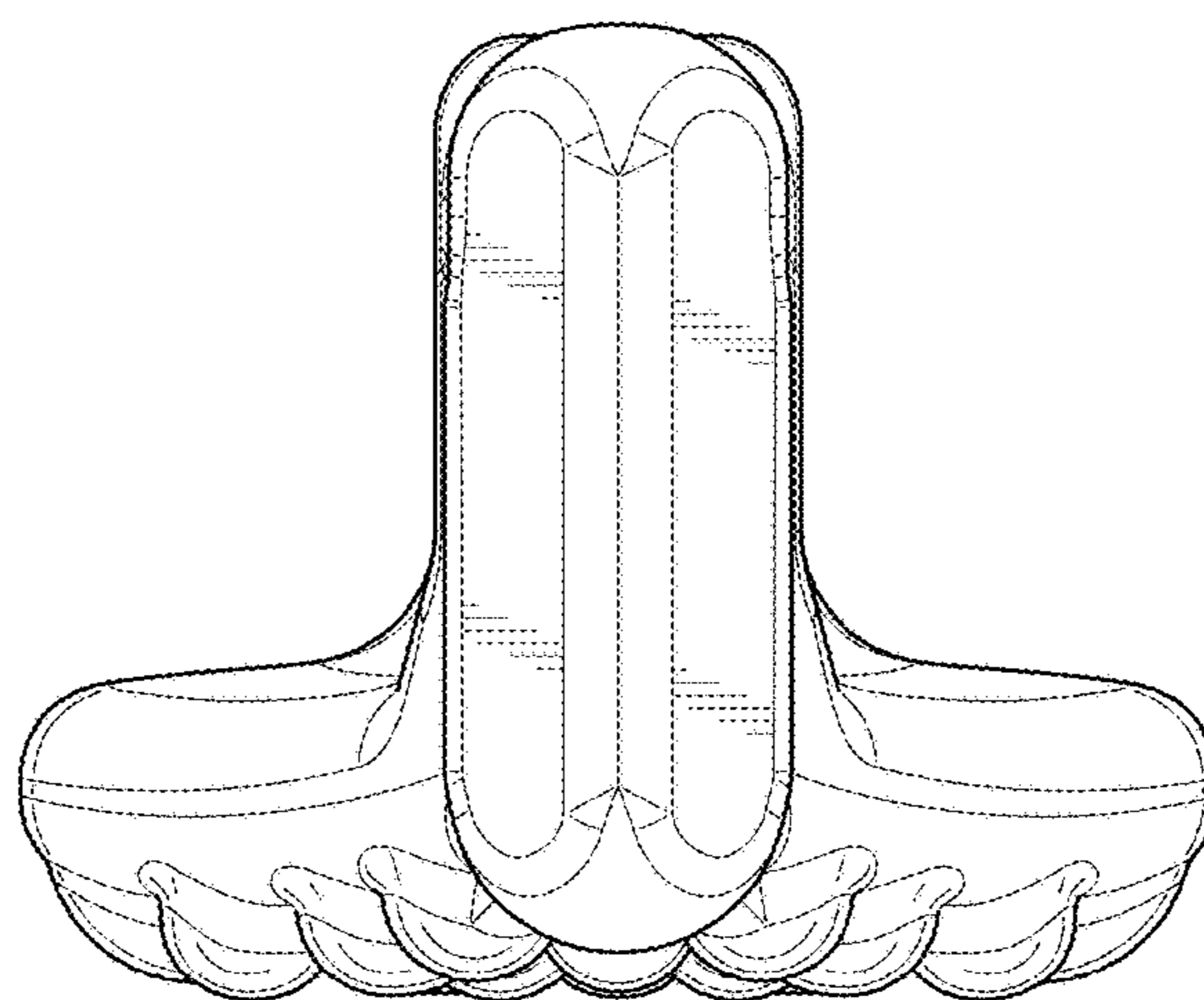


FIG. 6

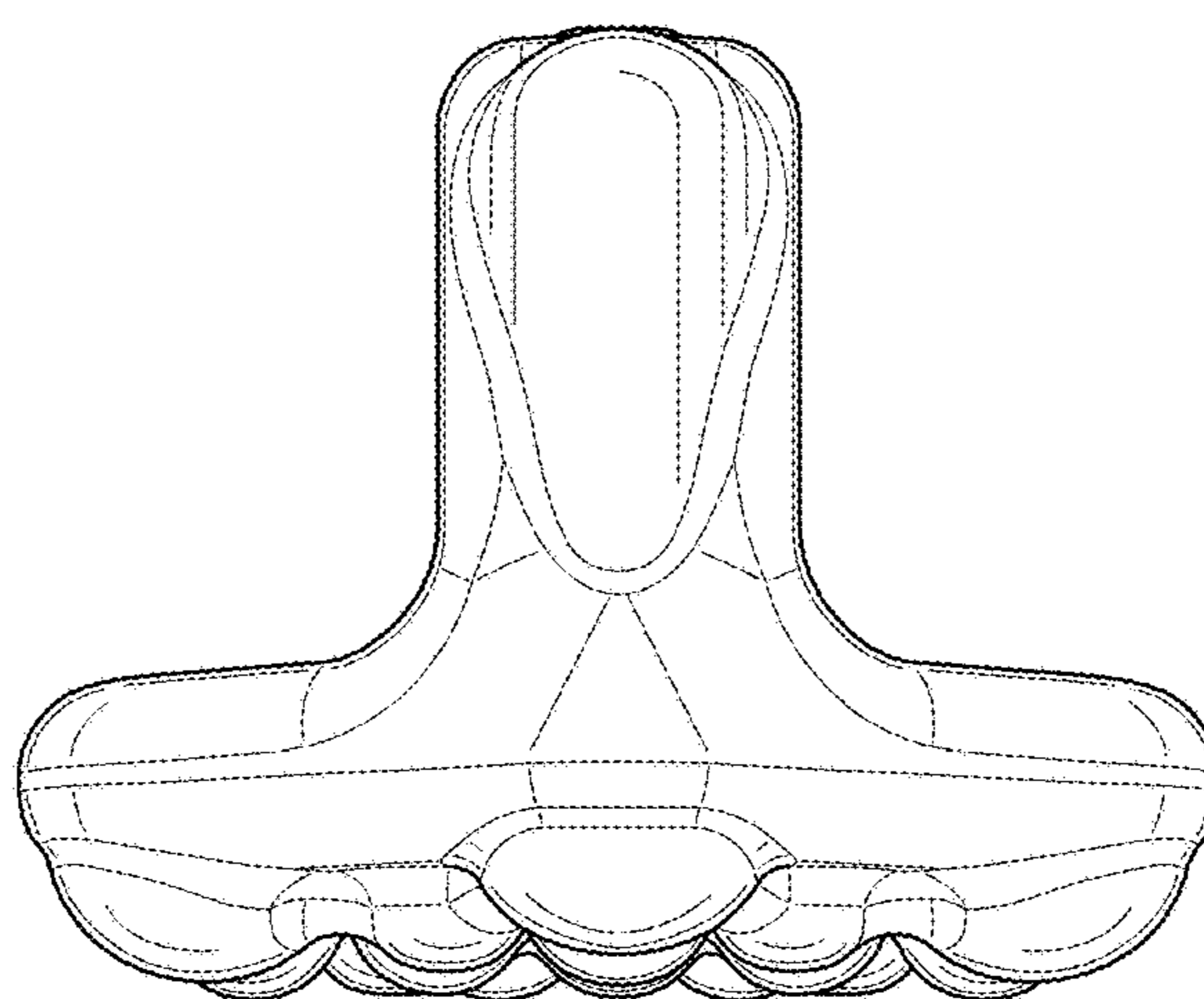


FIG. 7