



US00D842486S

(12) **United States Design Patent**  
**Kaoru**

(10) **Patent No.:** **US D842,486 S**  
(45) **Date of Patent:** **\*\* Mar. 5, 2019**

(54) **STRETCHING INSTRUMENT**

(71) Applicant: **DREAM FACTORY INC.**, Osaka-shi,  
Osaka (JP)

(72) Inventor: **Inoue Kaoru**, Osaka (JP)

(73) Assignee: **DREAM FACTORY INC.**, Osaka (JP)

(\*\*) Term: **15 Years**

(21) Appl. No.: **29/627,585**

(22) Filed: **Nov. 28, 2017**

(30) **Foreign Application Priority Data**

Nov. 13, 2017 (JP) ..... 2017-025275

(51) **LOC (11) Cl.** ..... **28-03**

(52) **U.S. Cl.**  
USPC ..... **D24/211**

(58) **Field of Classification Search**  
USPC ..... D24/200, 211, 212, 213, 214, 215;  
601/19, 22, 40, 46, 52, 63, 99, 110-113,  
601/118-120, 125, DIG. 12, DIG. 14,  
601/DIG. 15, DIG. 16, DIG. 17  
CPC ..... A61H 1/00; A61H 2015/0007; A61H  
2015/0014; A61H 2015/0042; A61H  
15/00; A61H 11/00; A61H 21/00; A61H  
37/00

See application file for complete search history.

(56) **References Cited**

**U.S. PATENT DOCUMENTS**

D35,655 S \* 2/1902 Bailey ..... 601/121  
D361,132 S \* 8/1995 Lee ..... D24/200  
6,129,687 A \* 10/2000 Powell ..... A61H 15/02  
220/4.07  
6,398,694 B1 \* 6/2002 Bountourakis ..... A63B 21/015  
482/109  
D637,244 S \* 5/2011 Davis ..... D21/662  
D660,450 S \* 5/2012 Johnson ..... D24/215

D674,107 S \* 1/2013 Prudent ..... D24/211  
D693,934 S 11/2013 Lin  
D713,050 S \* 9/2014 Kao ..... A61H 15/00  
D24/211  
9,005,146 B2 \* 4/2015 Phillips ..... A61H 15/0092  
482/132  
D737,456 S \* 8/2015 McDonough ..... A61H 15/0092  
D24/211  
D785,103 S \* 4/2017 Townsend ..... D21/662  
(Continued)

**FOREIGN PATENT DOCUMENTS**

JP 1442513 S 6/2012  
JP 1454414 S 11/2012  
(Continued)

**OTHER PUBLICATIONS**

Jan. 19, 2018 Decision of Registration for Japanese Design Appli-  
cation No. 2017-025275.

(Continued)

*Primary Examiner* — Sandra S Snapp  
(74) *Attorney, Agent, or Firm* — Oliff PLC

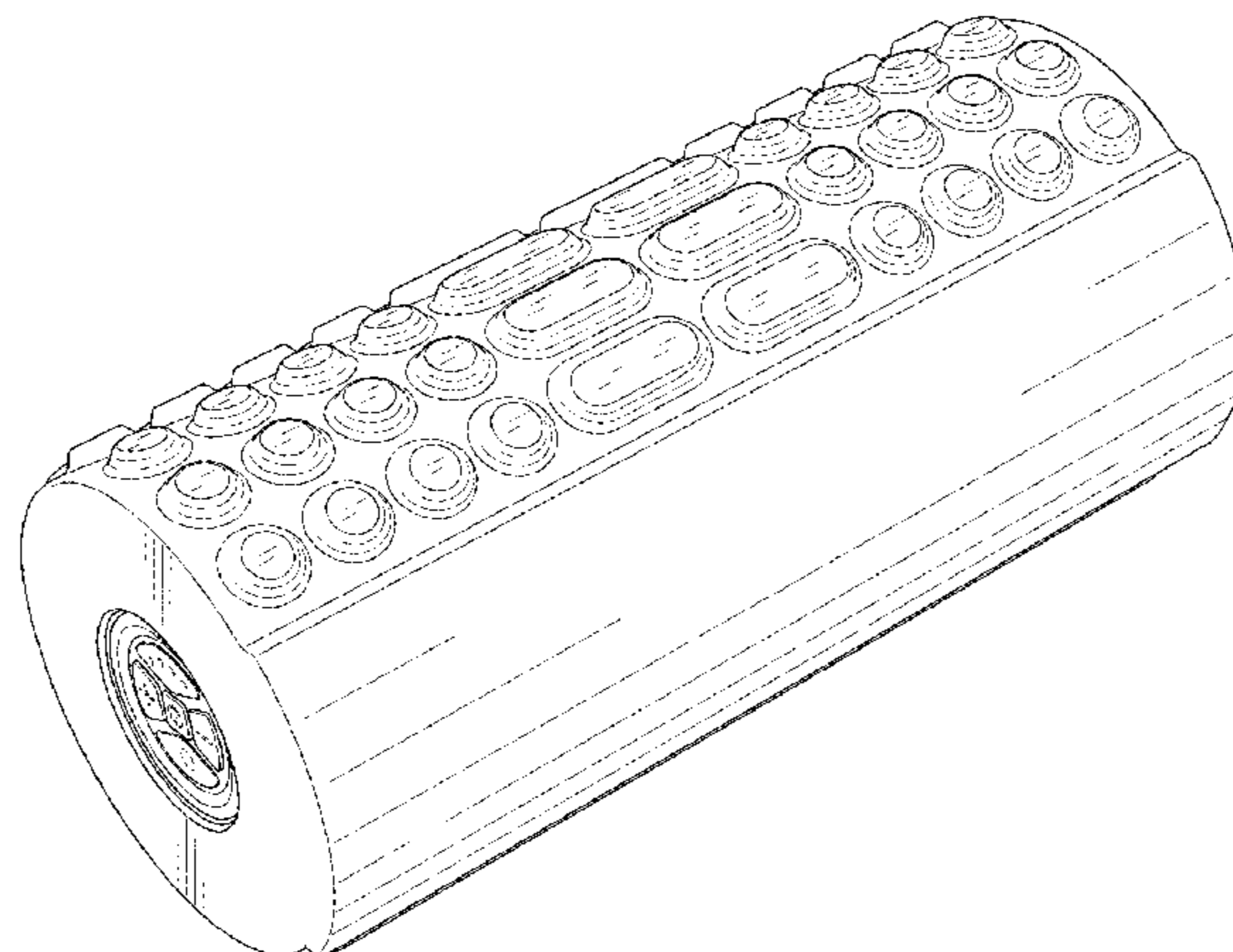
(57) **CLAIM**

The ornamental design for a stretching instrument, as shown  
and described.

**DESCRIPTION**

FIG. 1 is a front, left-side top perspective view of the  
stretching instrument  
FIG. 2 is a front elevational view thereof;  
FIG. 3 is a rear elevational view thereof;  
FIG. 4 is a right-side elevational view thereof;  
FIG. 5 is a left-side elevational view thereof;  
FIG. 6 is a top plan view thereof; and,  
FIG. 7 is a bottom plan view thereof.  
The broken lines depict unclaimed parts of the stretching  
instrument, and thus form no part of the claimed design.

**1 Claim, 4 Drawing Sheets**



(56)

**References Cited**

U.S. PATENT DOCUMENTS

D788,313 S \* 5/2017 Lawrie ..... D24/211  
9,855,185 B2 \* 1/2018 Chen ..... A61H 15/00  
D822,772 S \* 7/2018 Jorgenson ..... D21/662  
D825,695 S \* 8/2018 Kim ..... D21/662  
2009/0112137 A1 \* 4/2009 Lamore ..... A63B 21/0004  
601/112  
2012/0065557 A1 \* 3/2012 Phillips ..... A61H 15/0092  
601/99

FOREIGN PATENT DOCUMENTS

JP 1466582 S 4/2013  
JP 1494877 S 4/2014  
JP 1556185 S 8/2016

OTHER PUBLICATIONS

Jan. 19, 2018 Notification for Japanese Design Application No. 2017-025275.

Goods Press. Sep. 10, 2017. Issue 8, vol. 30. pp. 53 and 153.

Auland. "Yoga". TriggerPoint 2016-2017 Catalog Product & Education. HC28004881. p. 10.

\* cited by examiner

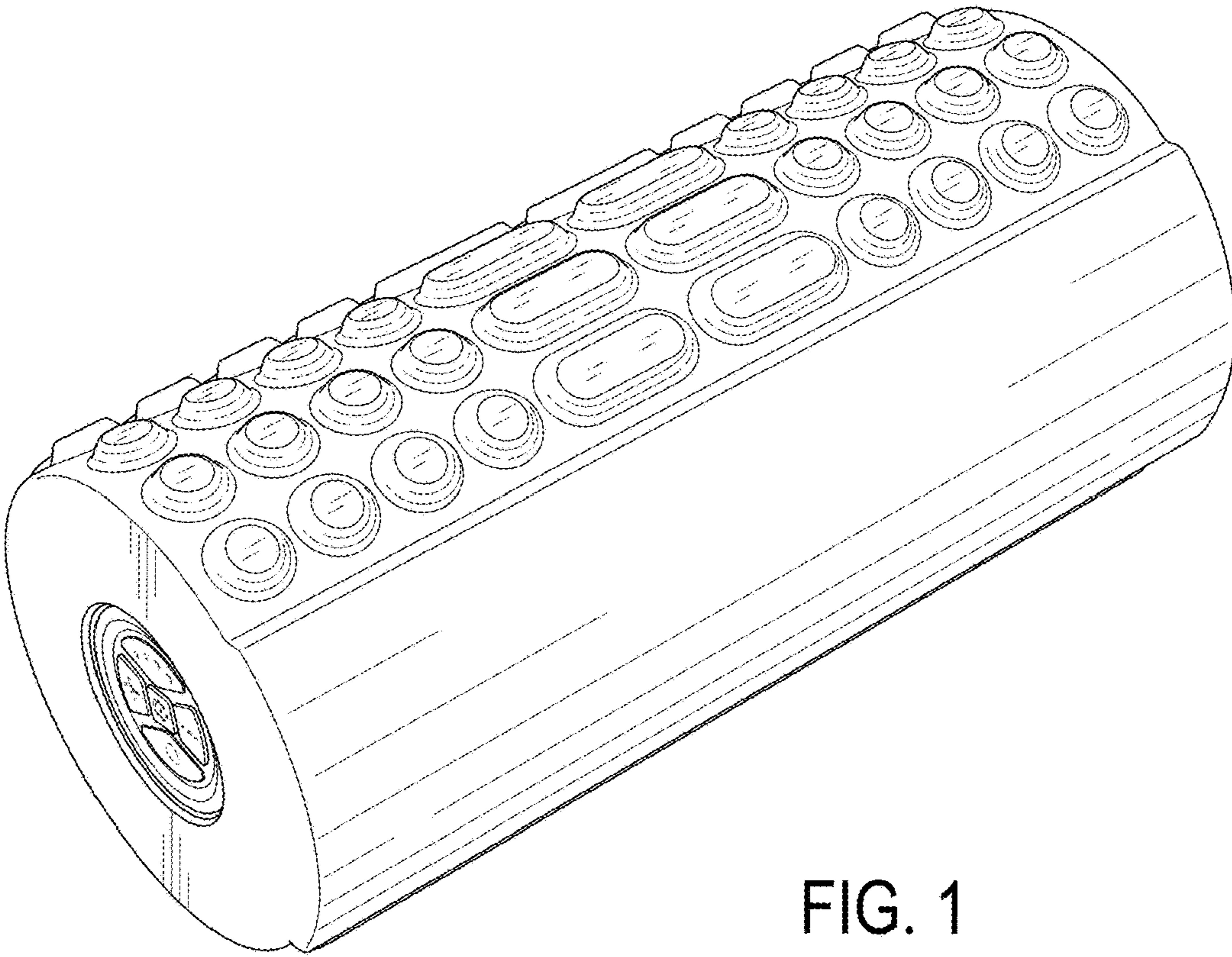


FIG. 1

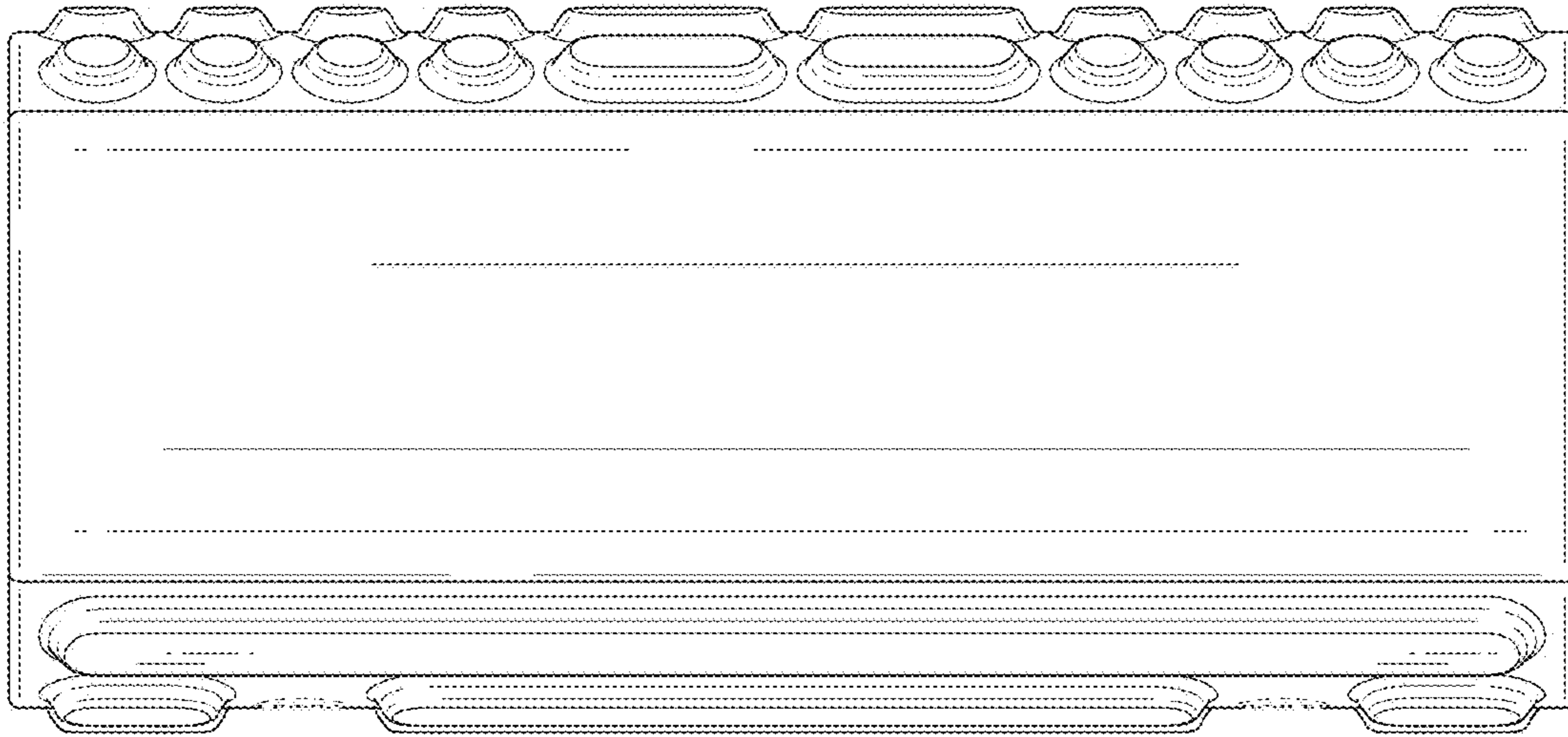


FIG. 2

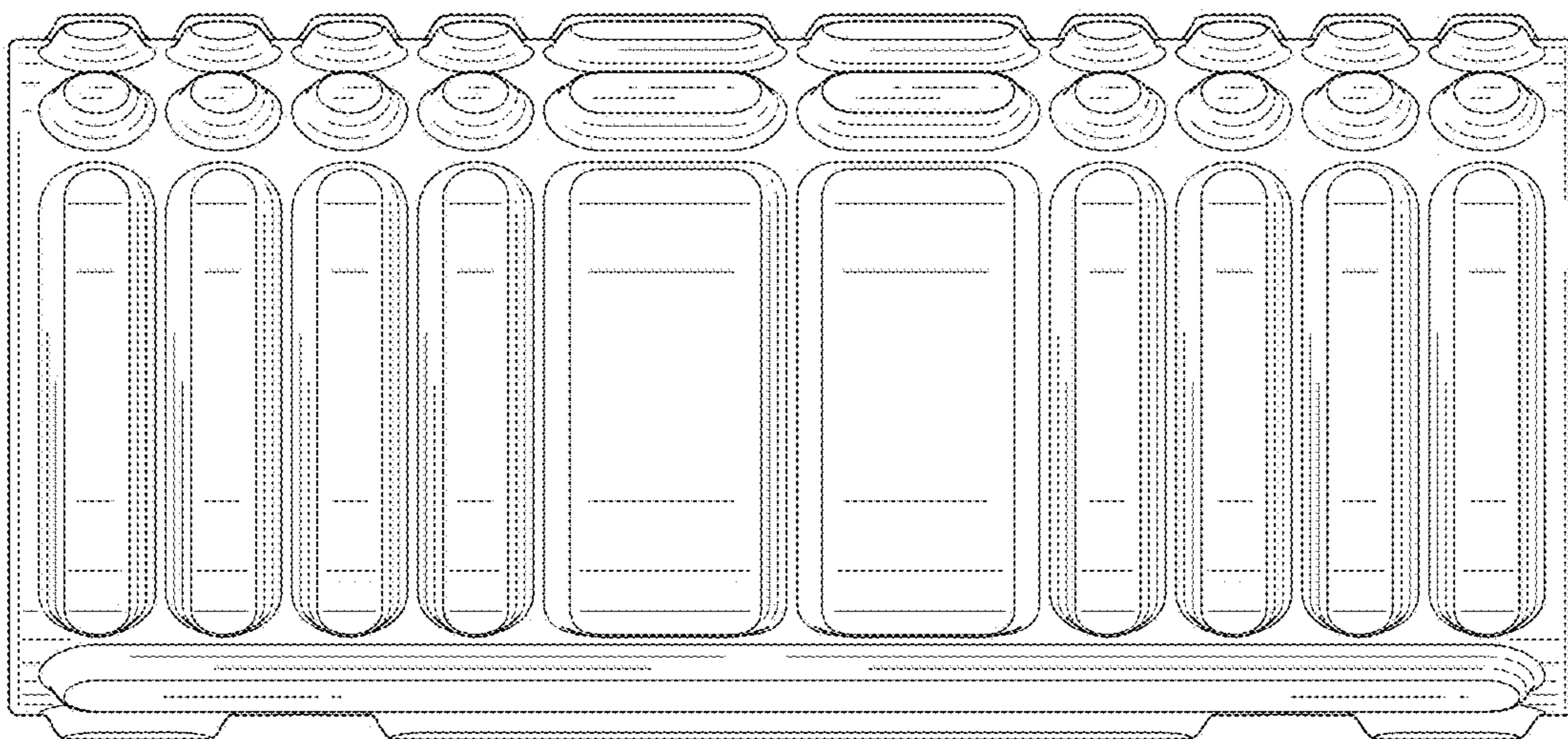


FIG. 3

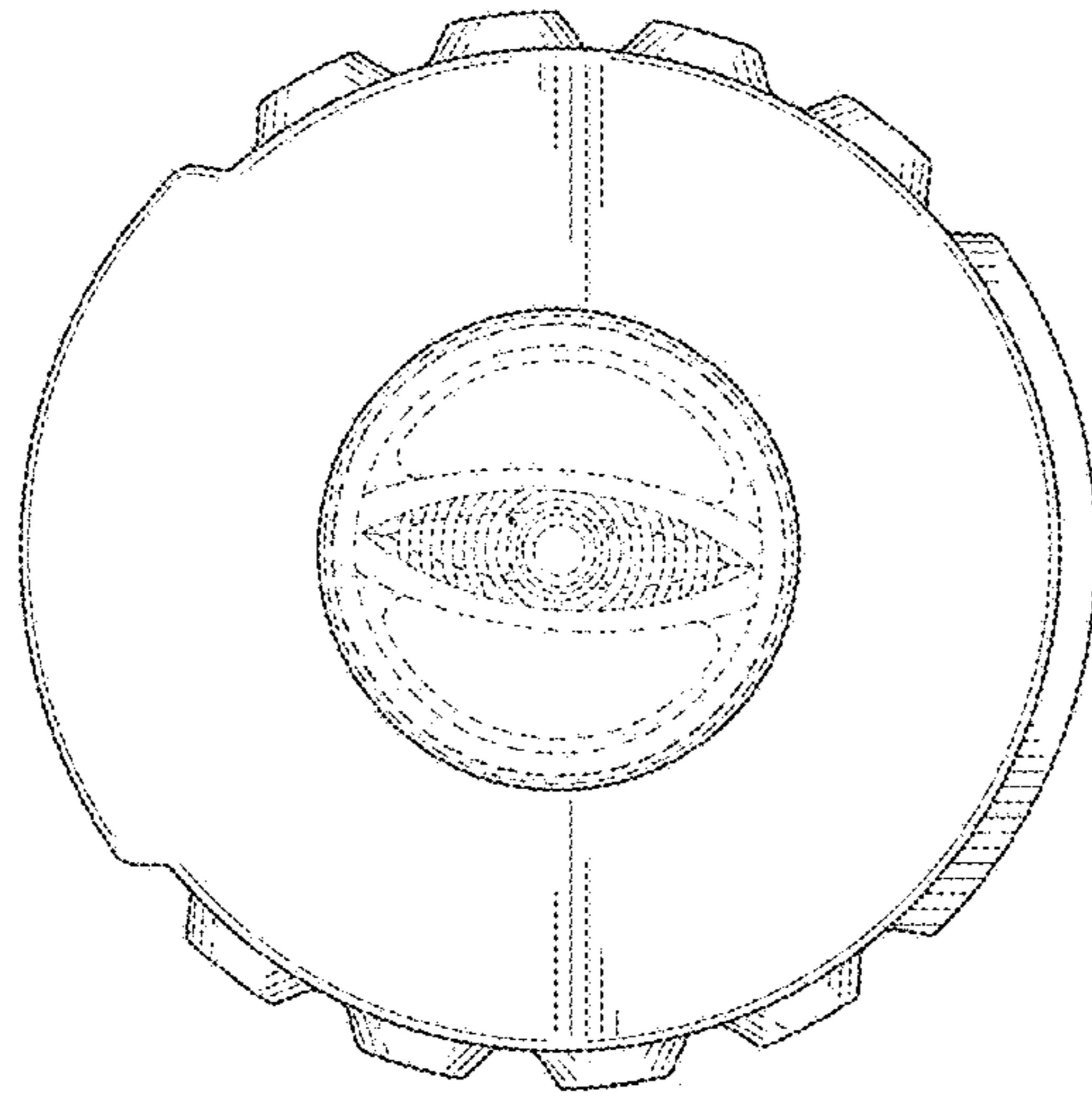


FIG. 4

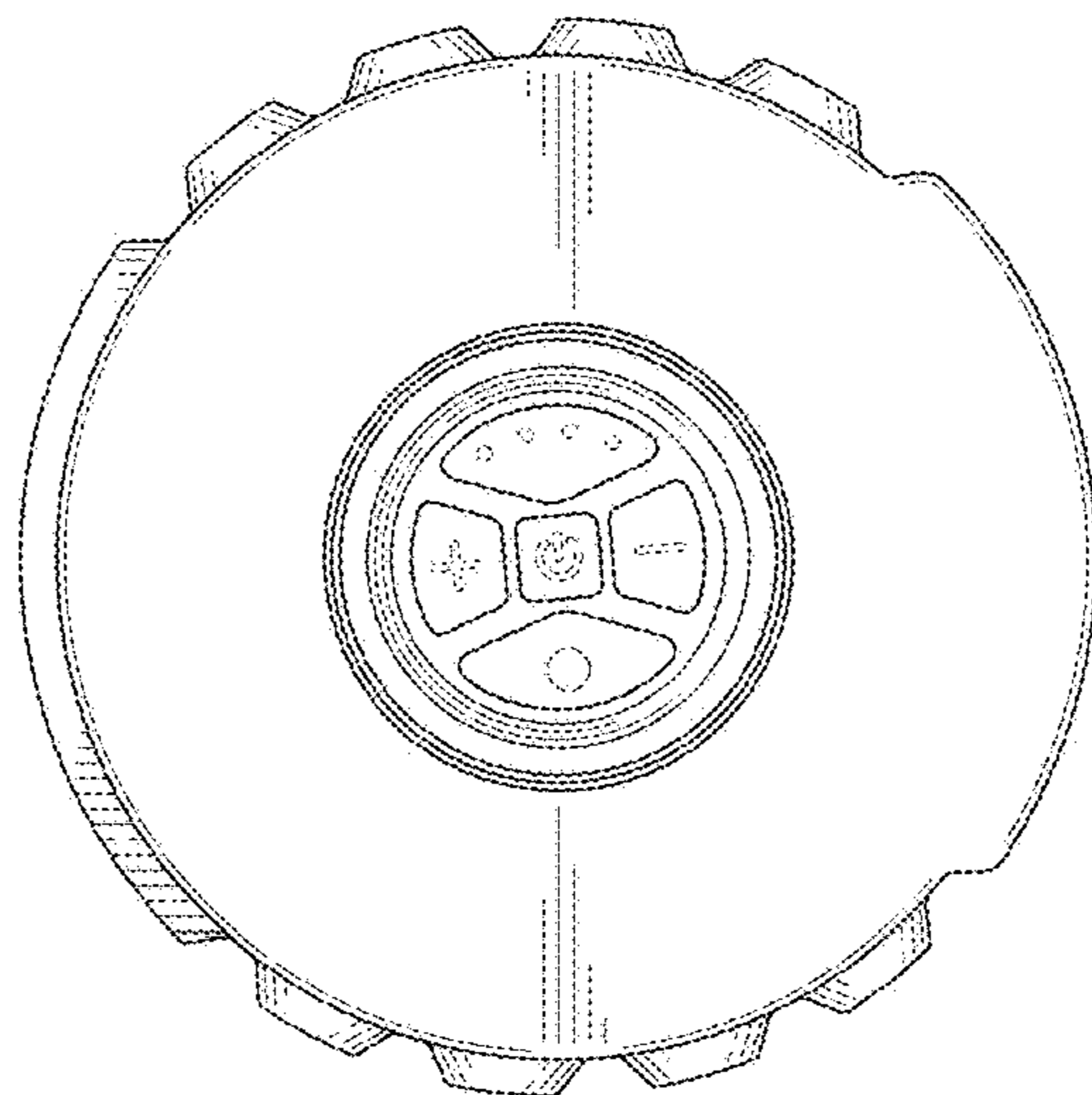


FIG. 5

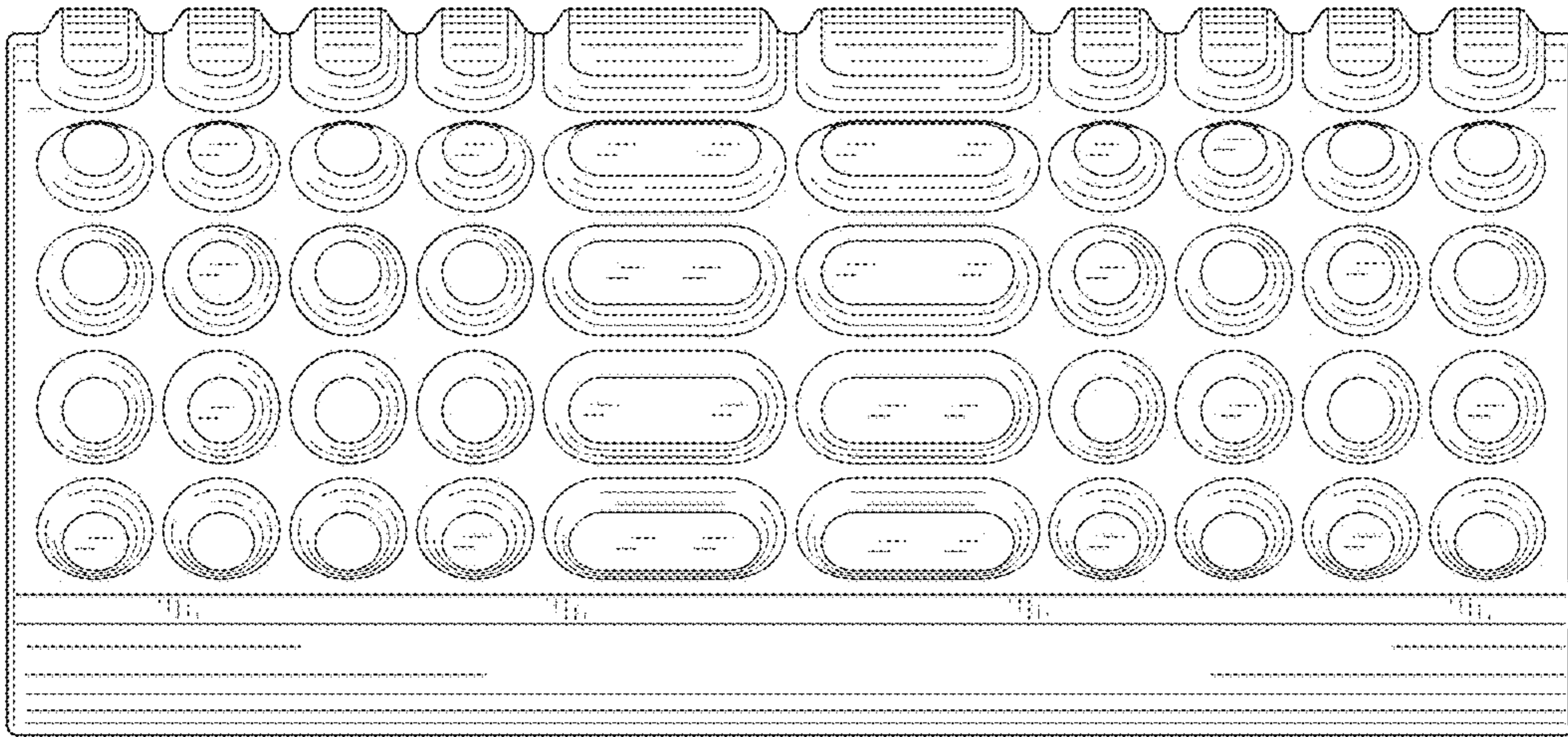


FIG. 6

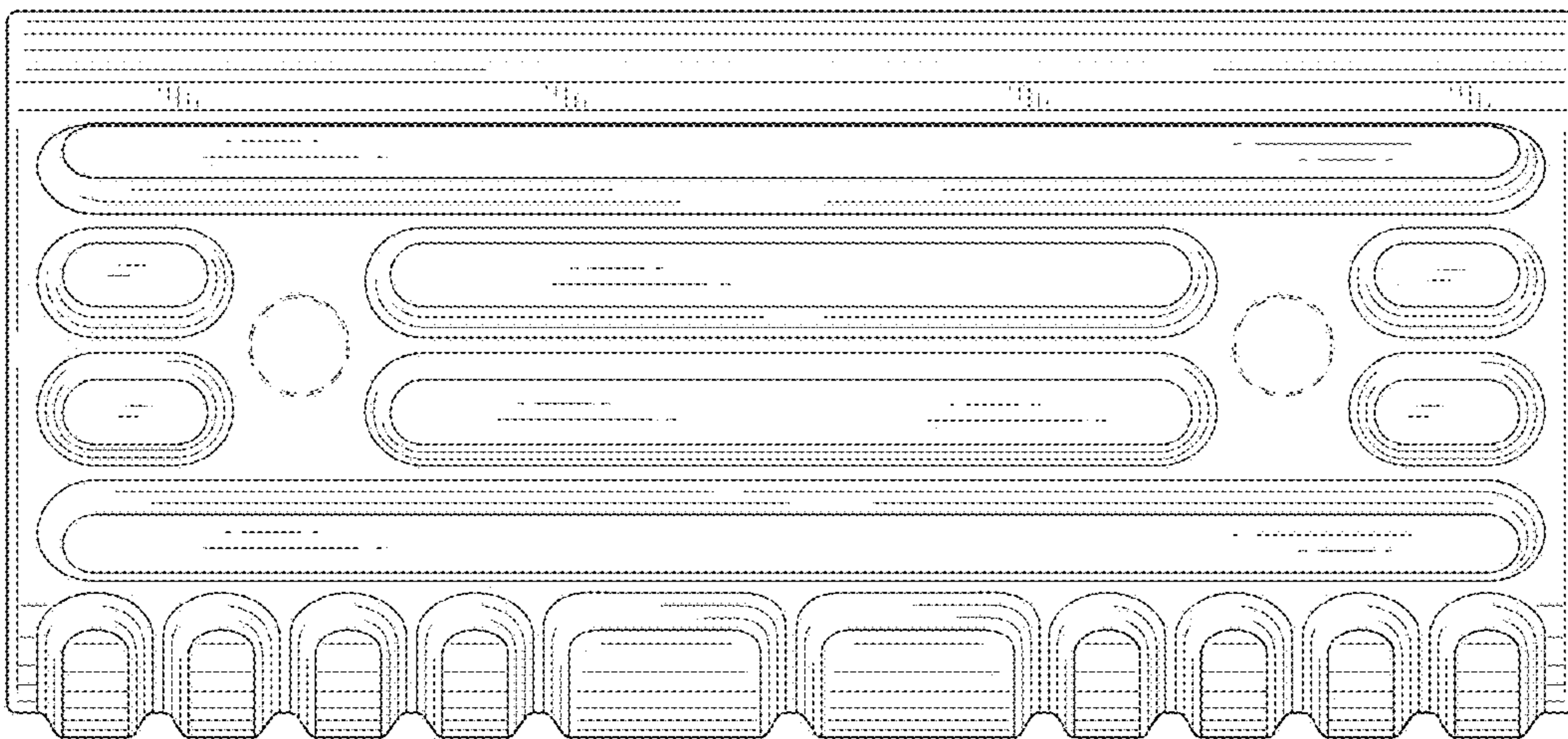


FIG. 7