



US00D842479S

(12) **United States Design Patent** (10) **Patent No.:** **US D842,479 S**
Rezach et al. (45) **Date of Patent:** **** Mar. 5, 2019**

- (54) **SPINAL IMPLANT**
- (71) Applicant: **Warsaw Orthopedic, Inc.**, Warsaw, IN (US)
- (72) Inventors: **William Alan Rezach**, Covington, TN (US); **Dustin Bobbitt**, Olive Branch, MS (US)
- (73) Assignee: **Warsaw Orthopedic, Inc.**, Warsaw, IN (US)

- 7,416,553 B2 8/2008 Patel et al.
- 7,578,822 B2 8/2009 Rezach et al.
- 7,618,424 B2 11/2009 Wilcox et al.
- 7,655,008 B2 2/2010 Lenke et al.
- 7,794,464 B2 9/2010 Bridwell et al.
- 7,914,536 B2 3/2011 MacDonald et al.
- 7,922,731 B2 4/2011 Schumacher et al.
- D642,270 S * 7/2011 McAfee D24/155
- 8,157,806 B2 4/2012 Frigg et al.
- 8,206,395 B2 6/2012 McLean et al.
- 8,277,453 B2 10/2012 Kave et al.

(Continued)

- (**) Term: **15 Years**
- (21) Appl. No.: **29/642,446**
- (22) Filed: **Mar. 29, 2018**

FOREIGN PATENT DOCUMENTS

- DE 3414374 C2 10/1985
- DE 3807346 C1 6/1989

(Continued)

Related U.S. Application Data

- (63) Continuation-in-part of application No. 15/139,395, filed on Apr. 27, 2016.
- (51) **LOC (11) Cl.** **24-03**
- (52) **U.S. Cl.**
USPC **D24/155**
- (58) **Field of Classification Search**
USPC D24/155
CPC A61F 2/4611; A61F 2/442; A61F 2/447;
A61F 2220/0025; A61F 2310/00023;
A61F 2310/00017; A61F 2002/4475;
A61F 2002/30841; A61F 2002/2835;
A61F 2002/30904; A61F 2002/30785;
A61F 2002/443; A61F 2002/30578
See application file for complete search history.

OTHER PUBLICATIONS

U.S. Appl. No. 15/139,395, filed Apr. 27, 2016; Bobbitt, et al.; Spinal Correction System and Method.

(Continued)

Primary Examiner — Charles D Hanson

(57) **CLAIM**

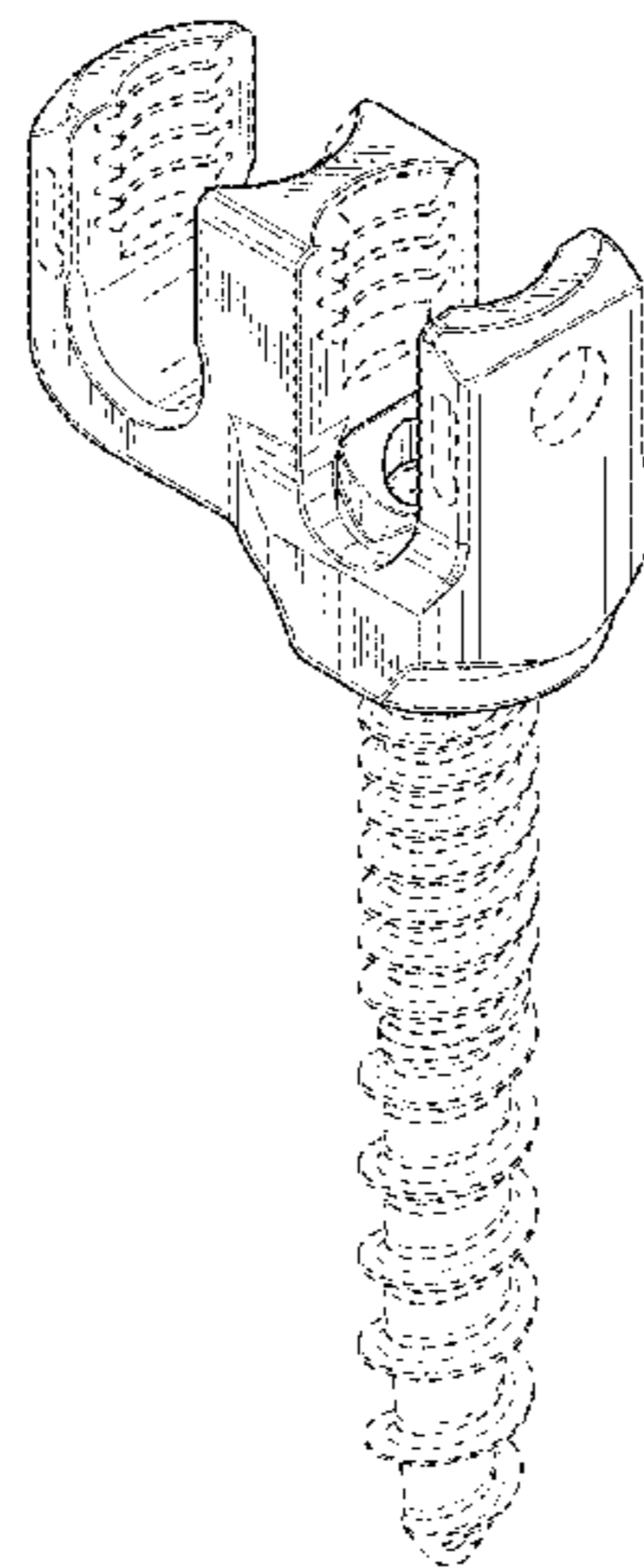
The ornamental design for a spinal implant, as shown and described.

DESCRIPTION

FIG. 1 is a perspective view of a spinal implant; FIG. 2 is a front view of the spinal implant; FIG. 3 is a back view of the spinal implant; FIG. 4 is a side view of the spinal implant; FIG. 5 is a side view of the spinal implant; FIG. 6 is a top view of the spinal implant; and, FIG. 7 is a bottom view of the spinal implant. The broken lines are for the purpose of illustrating structure and form no part of the claimed design.

- (56) **References Cited**
U.S. PATENT DOCUMENTS
776,051 A 11/1904 Fruehling
1,920,821 A 8/1933 Wassenaar
4,957,495 A 9/1990 Kluger
5,219,349 A 6/1993 Krag et al.

1 Claim, 6 Drawing Sheets



(56)

References Cited

U.S. PATENT DOCUMENTS

8,287,546 B2 10/2012 King et al.
 8,394,109 B2 3/2013 Hutton et al.
 D746,461 S * 12/2015 Butler D24/155
 D801,796 S * 11/2017 Sweeney D8/387
 2004/0034298 A1 2/2004 Johnson et al.
 2004/0111088 A1 6/2004 Picetti et al.
 2005/0021040 A1 1/2005 Bertagnoli
 2008/0015579 A1* 1/2008 Whipple A61B 17/7037
 606/250
 2008/0119862 A1 5/2008 Wicker et al.
 2008/0234757 A1* 9/2008 Jacofsky A61B 17/7032
 606/308
 2008/0262556 A1* 10/2008 Jacofsky A61B 17/7032
 606/308
 2008/0287998 A1* 11/2008 Doubler A61B 17/7037
 606/269
 2009/0062857 A1 3/2009 Ramsay et al.
 2009/0254125 A1* 10/2009 Predick A61B 17/7037
 606/264
 2010/0023061 A1* 1/2010 Randol A61B 17/7037
 606/278
 2010/0246923 A1 9/2010 Nathaniel et al.
 2011/0152950 A1* 6/2011 Baccelli A61B 17/7032
 606/305

2011/0172662 A1 7/2011 Keilen
 2011/0319939 A1 12/2011 Kretzer et al.
 2012/0071885 A1 3/2012 Forton et al.
 2012/0316605 A1* 12/2012 Palagi A61B 17/7037
 606/305
 2017/0311987 A1 11/2017 Bobbitt et al.

FOREIGN PATENT DOCUMENTS

EP 316371 B1 10/1991
 EP 528177 A2 2/1993
 EP 1590077 B1 11/2005
 WO 9002527 A1 3/1990
 WO 2004014231 A1 2/2004
 WO 2005107415 A2 11/2005
 WO 2006094754 A1 9/2006
 WO 2006118998 A1 11/2006
 WO 2007092797 A2 8/2007
 WO 2008155772 A1 12/2008

OTHER PUBLICATIONS

U.S. Appl. No. 15/441,774, filed Feb. 24, 2017; Armstrong, et al.;
 Spinal Implant System and Method.
 U.S. Appl. No. 10/313,171, filed Dec. 6, 2002; Picetti, et al.;
 Multi-Rod Bone Attachment Member.

* cited by examiner

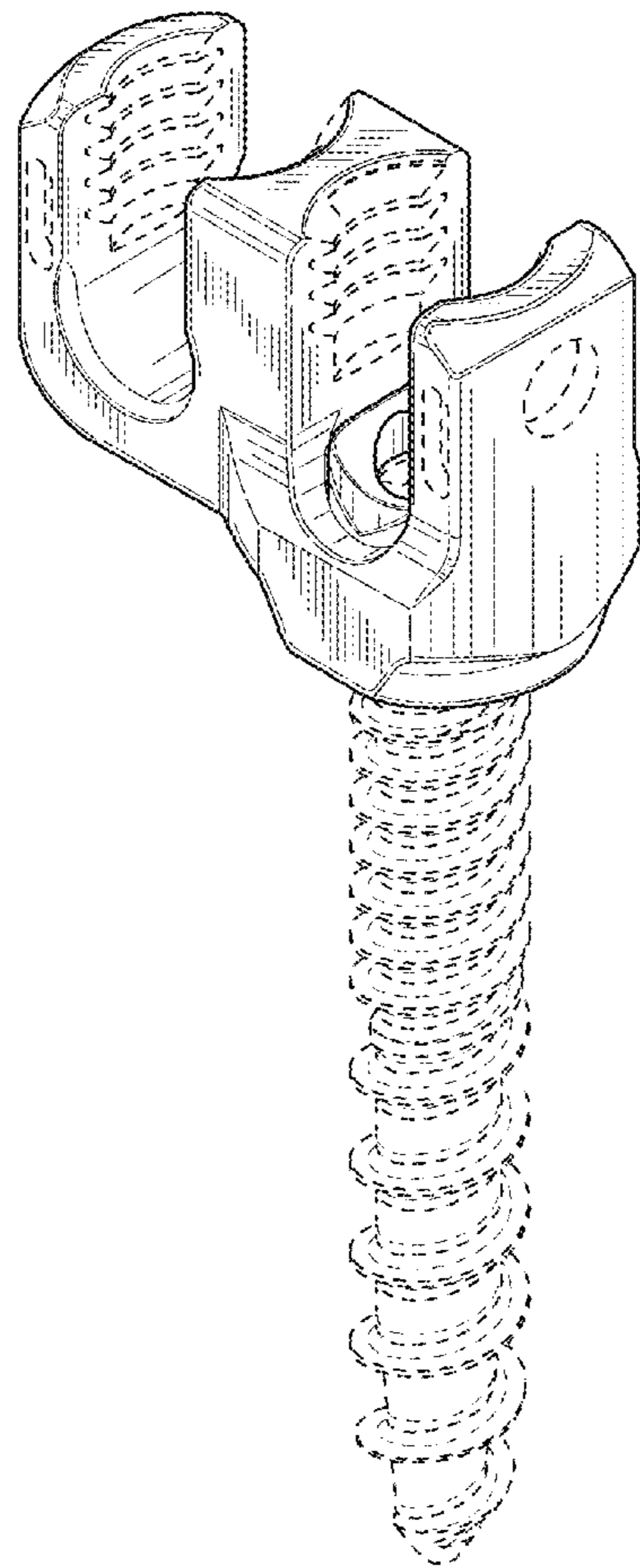


FIG. 1

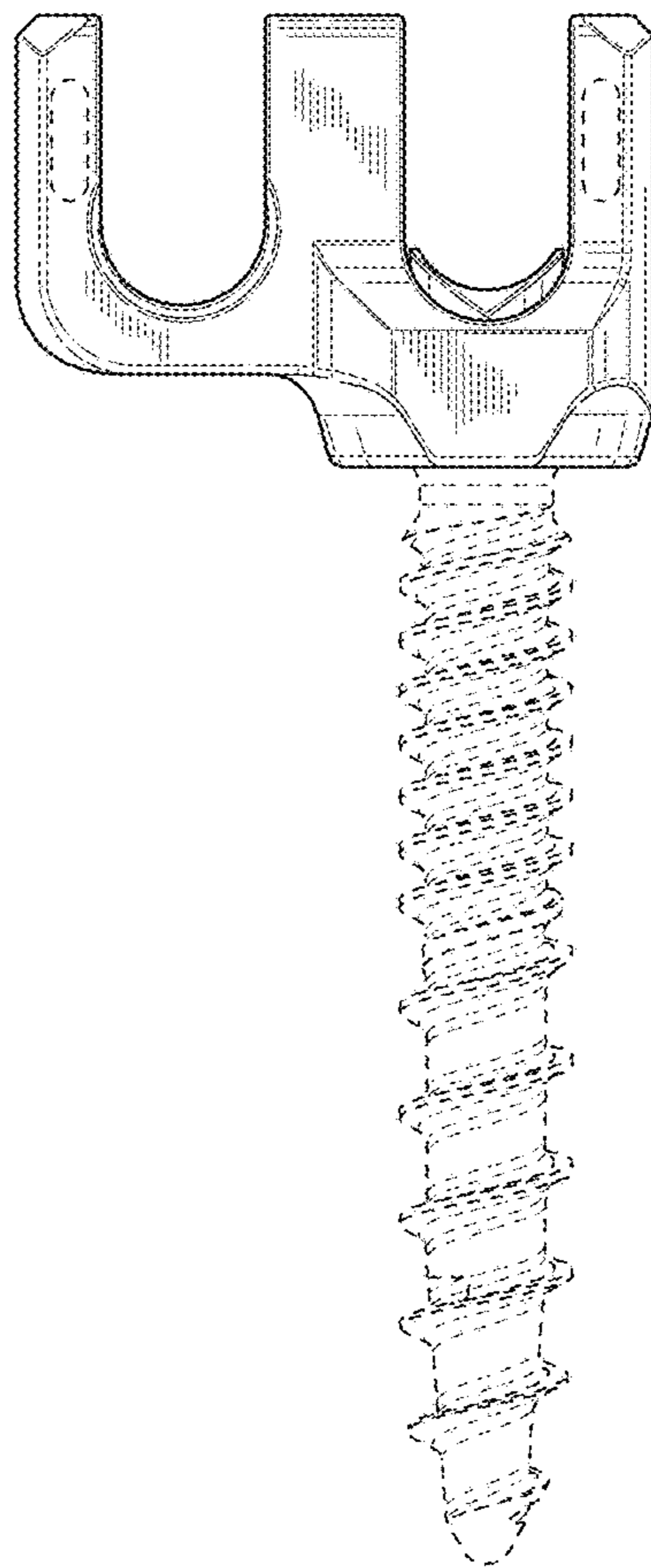


FIG. 2

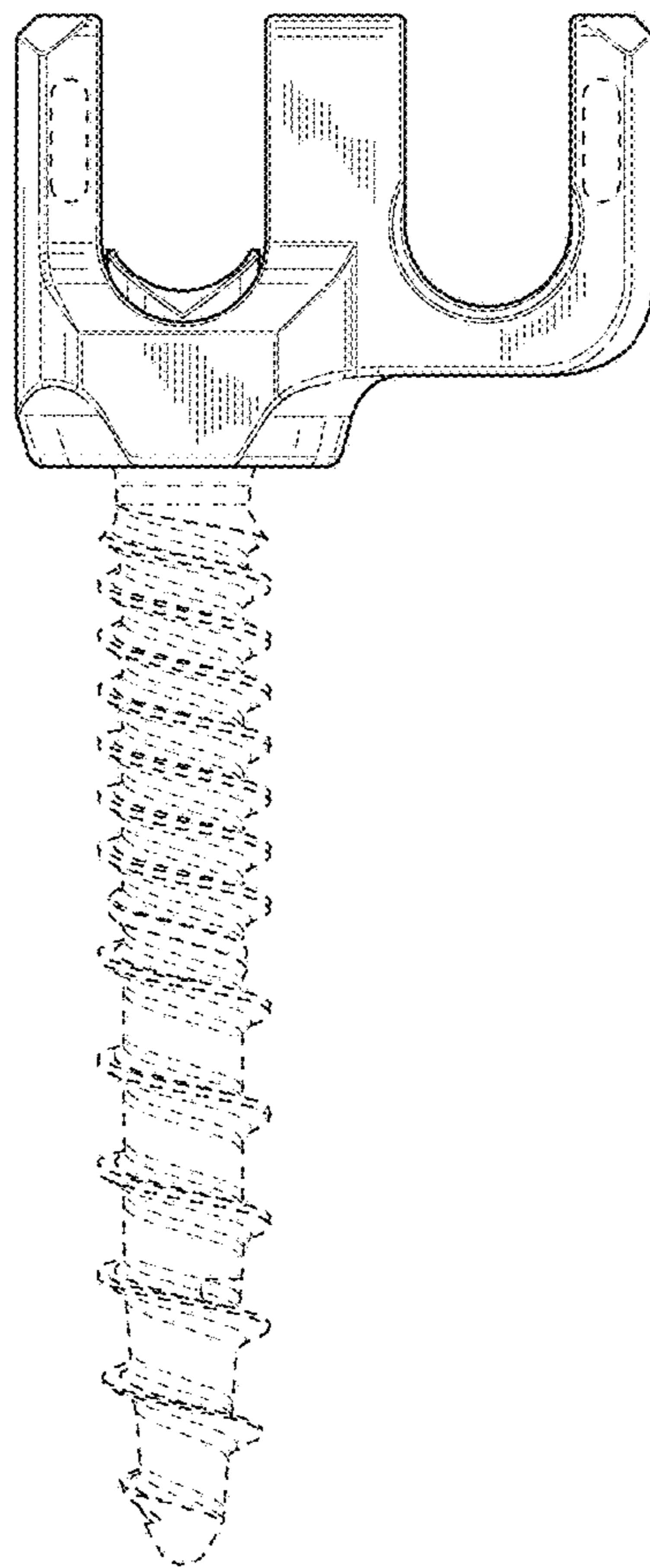


FIG. 3

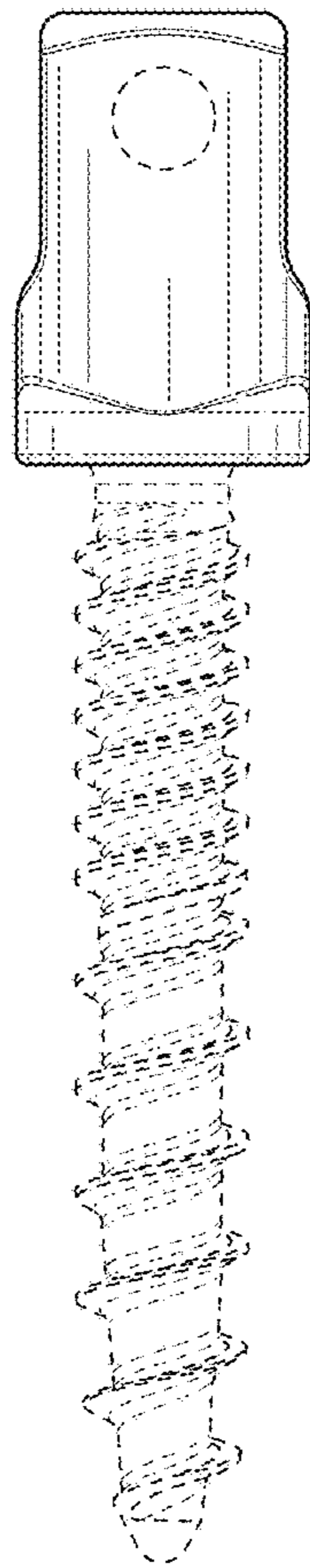


FIG. 4

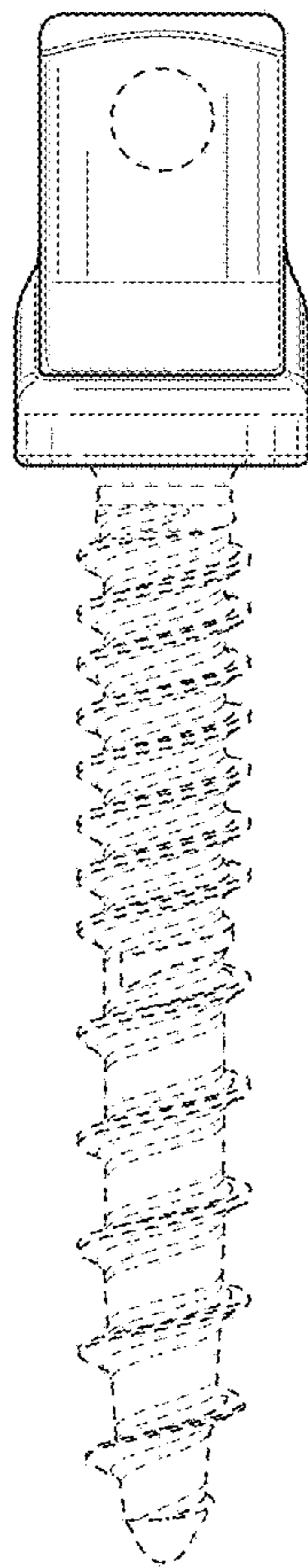


FIG. 5

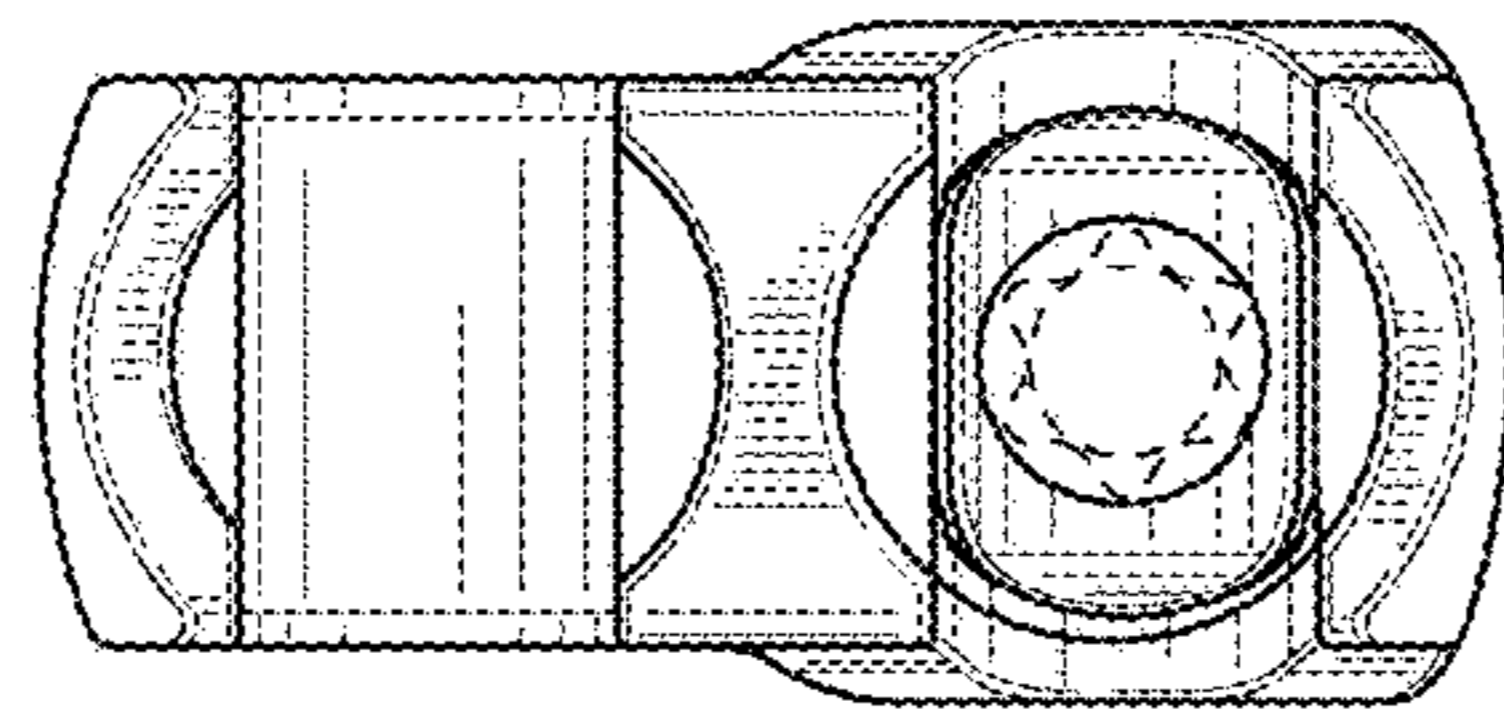


FIG. 6

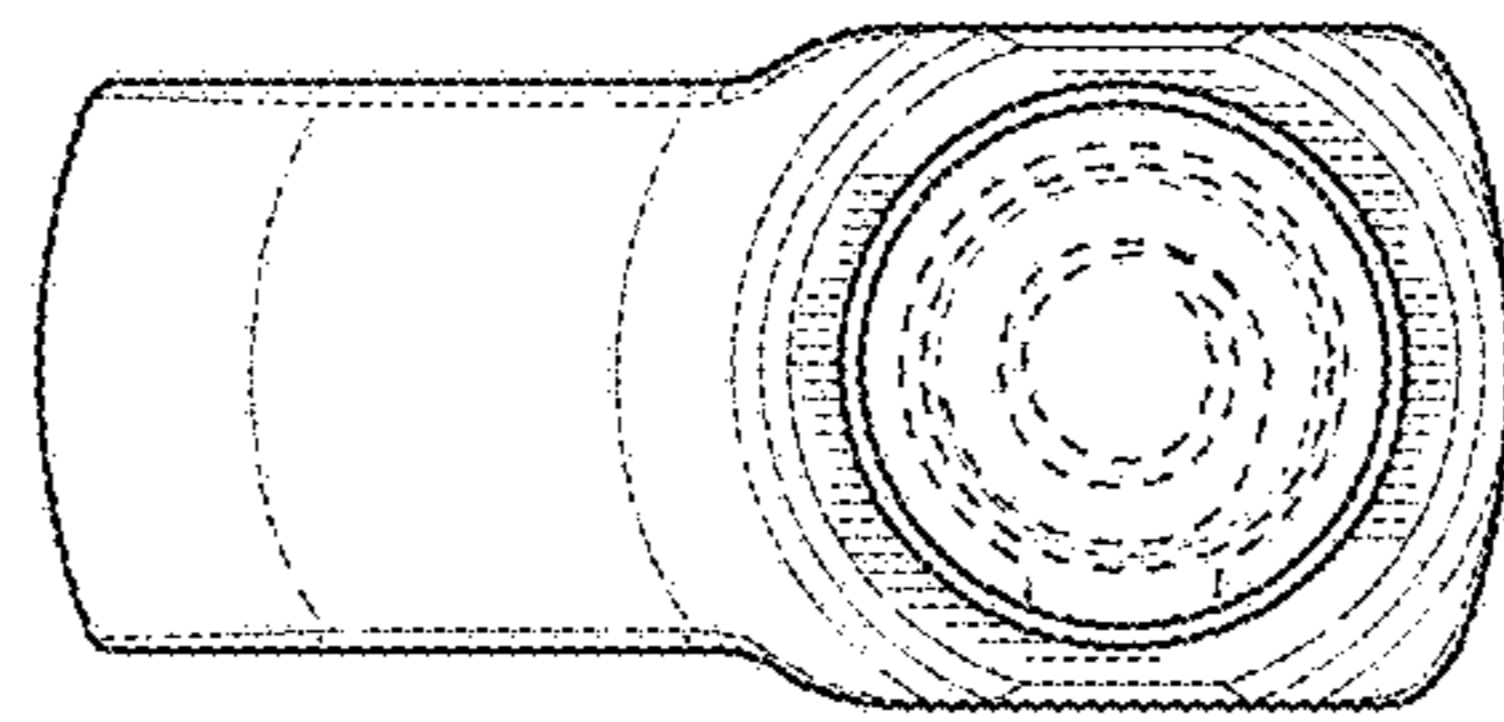


FIG. 7