



US00D842477S

(12) **United States Design Patent** (10) **Patent No.:** **US D842,477 S**
Nutter et al. (45) **Date of Patent:** **** Mar. 5, 2019**

(54) **THREE-DIMENSIONAL ANATOMIC FIRST METATARSAL-PHALANGEAL JOINT REPLACEMENT**

(71) Applicants: **David Scott Nutter**, Dayton, MD (US);
Scott Wayne Nutter, Dayton, MD (US)

(72) Inventors: **David Scott Nutter**, Dayton, MD (US);
Scott Wayne Nutter, Dayton, MD (US)

(**) Term: **15 Years**

(21) Appl. No.: **29/627,441**

(22) Filed: **Nov. 27, 2017**

Related U.S. Application Data

(63) Continuation-in-part of application No. 29/611,923,
filed on Jul. 26, 2017, now Pat. No. Des. 819,819.

(51) **LOC (11) Cl.** **24-03**

(52) **U.S. Cl.**
USPC **D24/155**

(58) **Field of Classification Search**
USPC D24/155-157
CPC A61F 6/04; A61F 6/065; A61F 2/4225;
A61F 2/4241; A61F 2002/4233; A61F
2002/4235; A61F 2002/4228; A61F
2002/30205; A61F 2002/30224
See application file for complete search history.

(56) **References Cited**

U.S. PATENT DOCUMENTS

- 3,688,316 A * 9/1972 Jean Lagrange ... A61F 2/30767
403/152
- 3,837,009 A * 9/1974 Walker A61F 2/385
623/20.26
- 3,992,726 A * 11/1976 Freeman A61F 2/4225
623/23.4
- D243,716 S * 3/1977 Treace D24/155

- 4,204,284 A * 5/1980 Koeneman A61F 2/4241
403/224
- D277,509 S * 2/1985 Lawrence D24/155
- D277,784 S * 2/1985 Sgarlato D24/155
- D284,099 S * 6/1986 Laporta D24/155
- D291,731 S * 9/1987 Aikins D24/155
- D504,514 S * 4/2005 Spalding, Jr. D24/156
- 9,504,582 B2 * 11/2016 Sander A61F 2/4241

* cited by examiner

Primary Examiner — Charles D Hanson

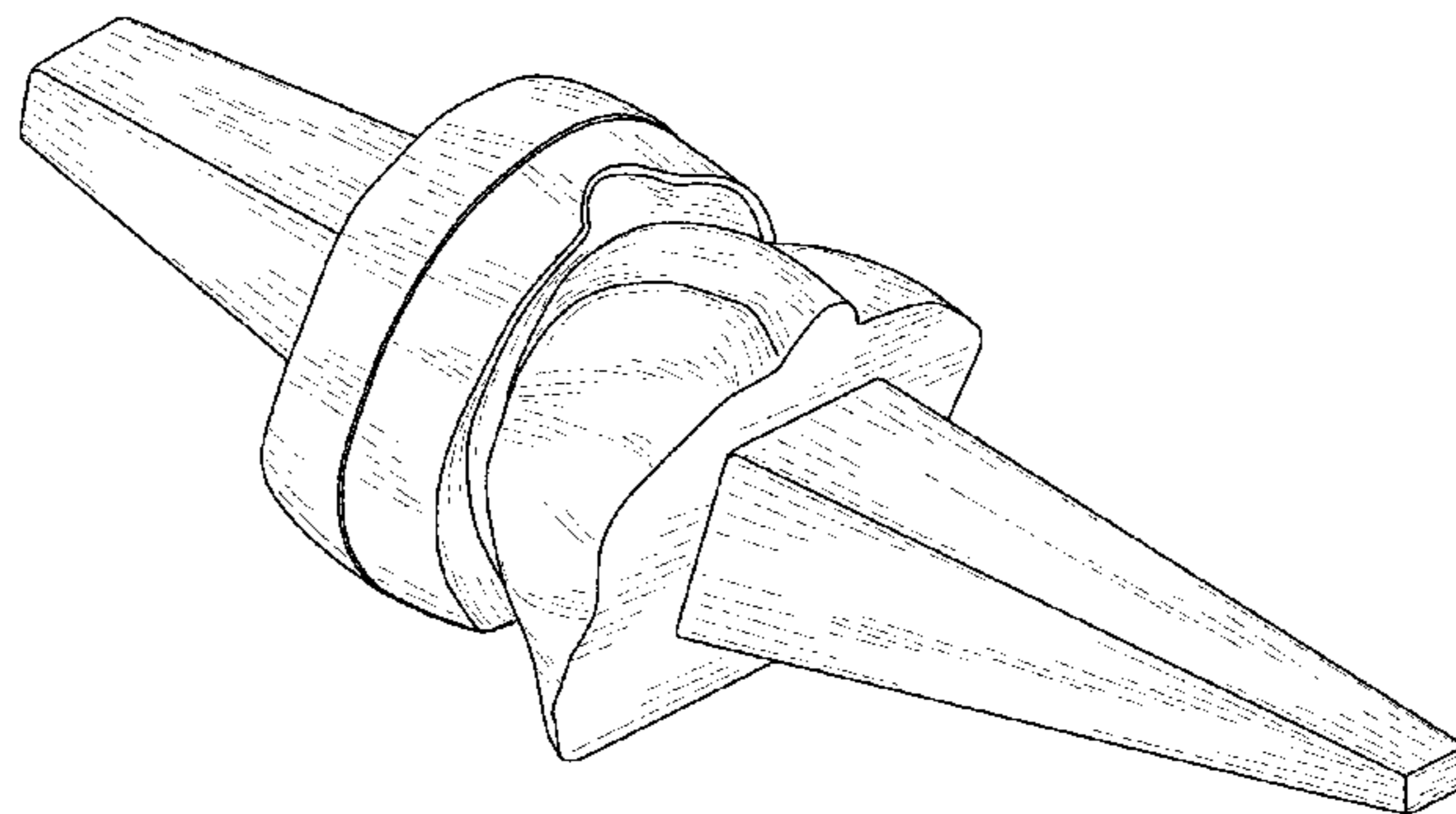
(57) **CLAIM**

The ornamental design for a three-dimensional anatomic first metatarsal-phalangeal joint replacement, as shown and described.

DESCRIPTION

FIG. 1 is a top front perspective view of a three-dimensional anatomic first metatarsal-phalangeal joint replacement showing my new design;
 FIG. 2 is a top rear perspective view thereof;
 FIG. 3 is left view thereof;
 FIG. 4 is a right view thereof;
 FIG. 5 is a top view thereof;
 FIG. 6 is a bottom view thereof;
 FIG. 7 is a front view thereof;
 FIG. 8 is a back view thereof;
 FIG. 9 is an exploded top front perspective view thereof;
 FIG. 10 is an exploded bottom front perspective view thereof;
 FIG. 11 is an exploded top rear perspective view thereof;
 FIG. 12 is an exploded bottom rear perspective view thereof;
 FIG. 13 is a cross sectional view thereof taken along line 13-13 in FIG. 9; and,
 FIG. 14 is cross sectional view thereof taken along line 14-14 in FIG. 9.

1 Claim, 14 Drawing Sheets



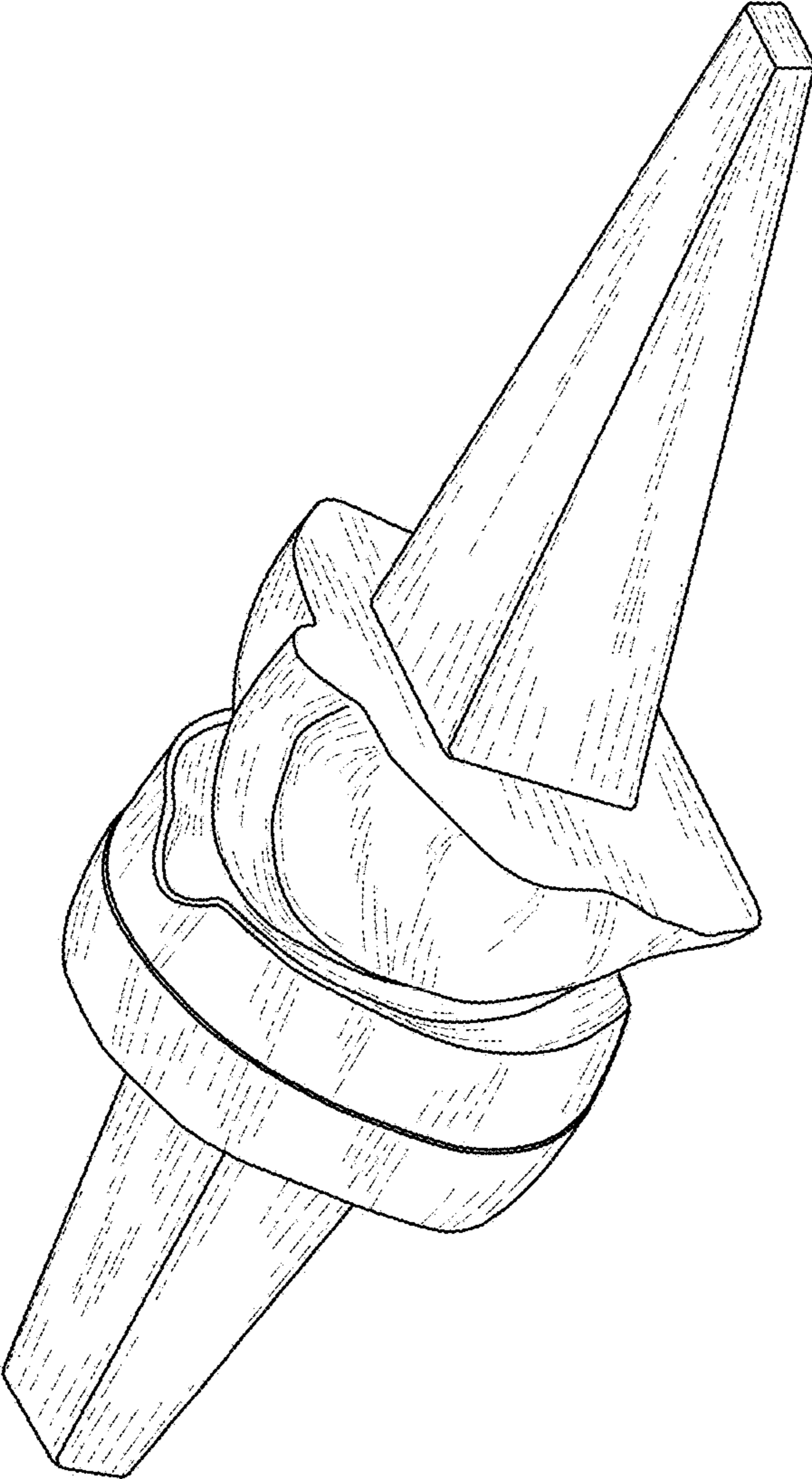


FIG. 1

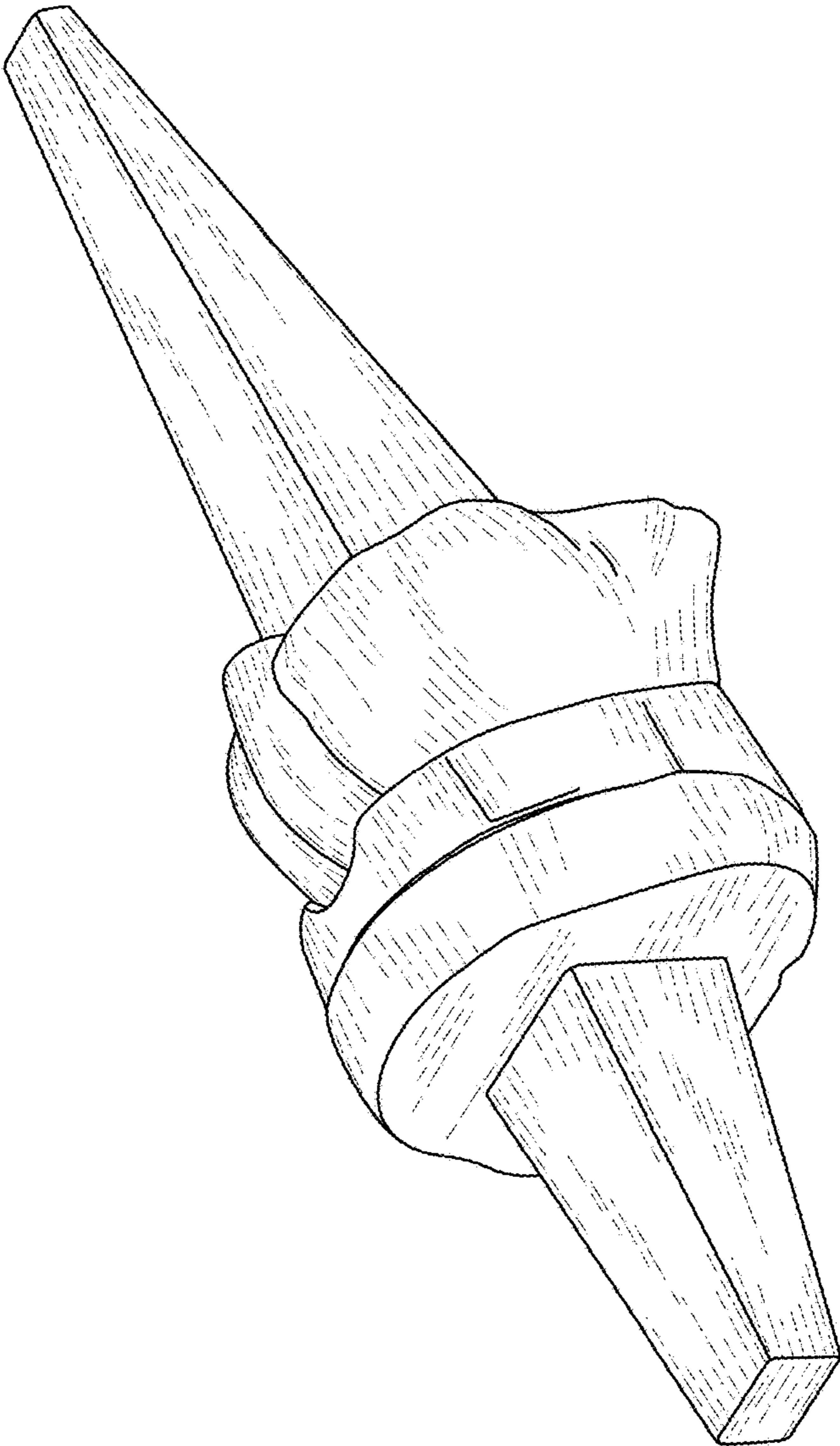


FIG. 2

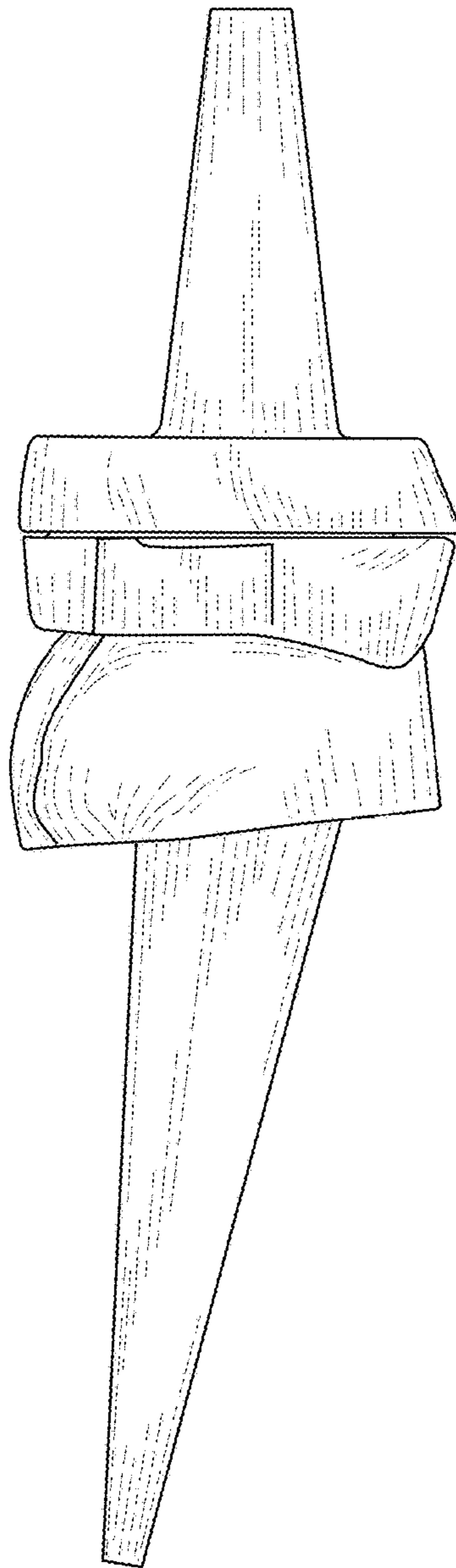


FIG. 3

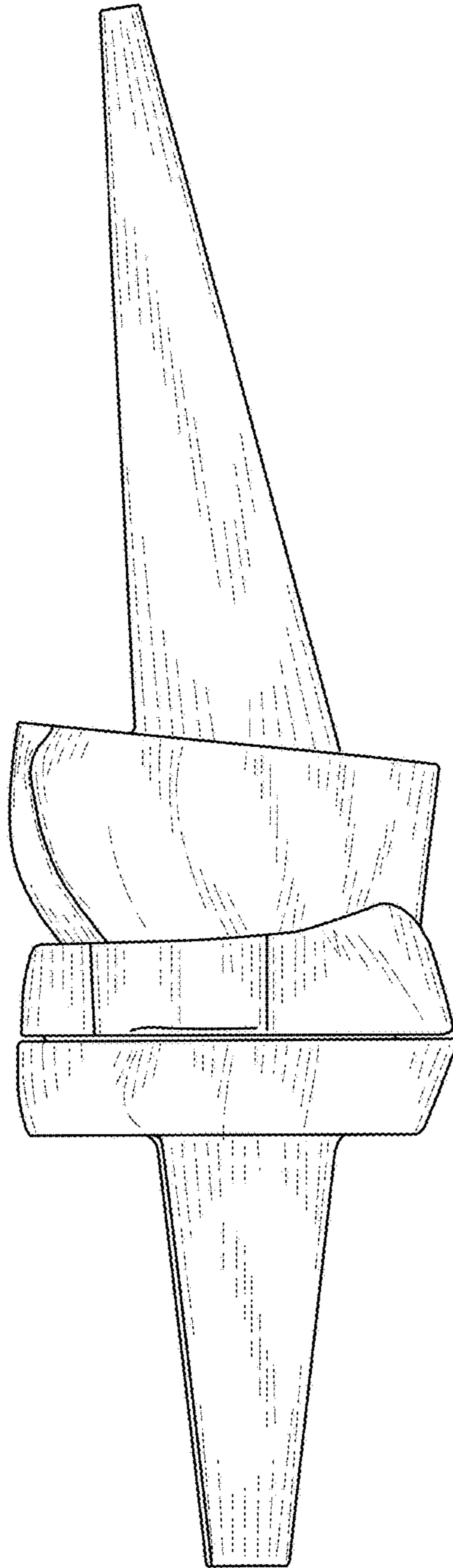


FIG. 4

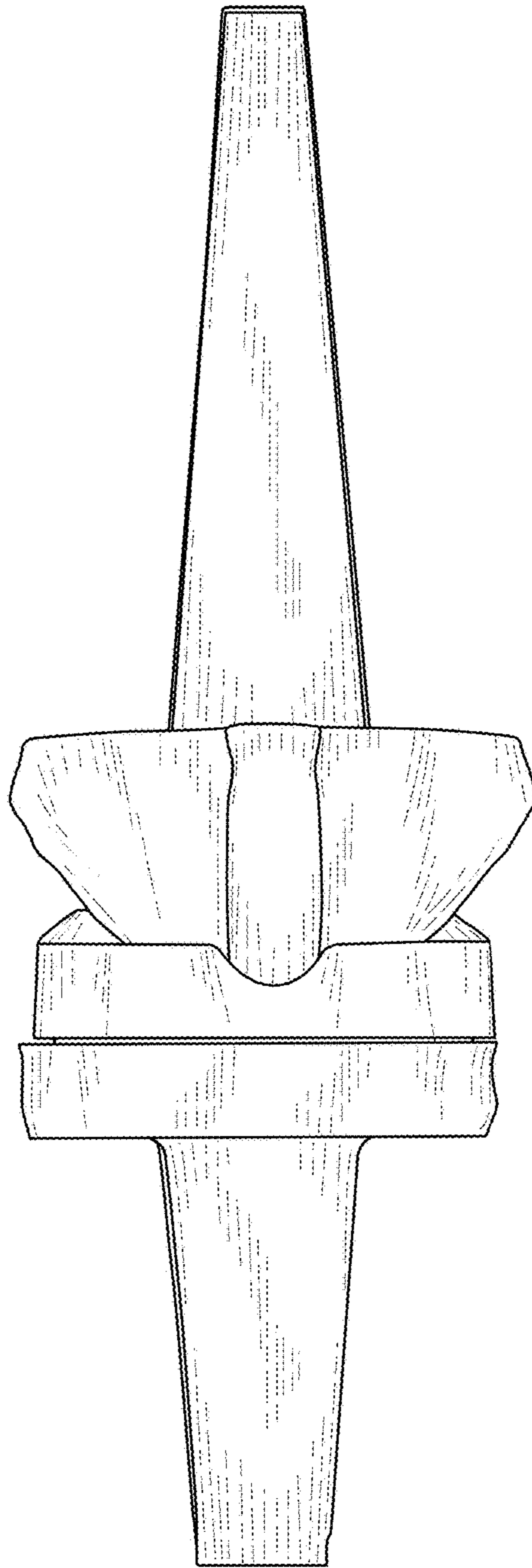


FIG. 5

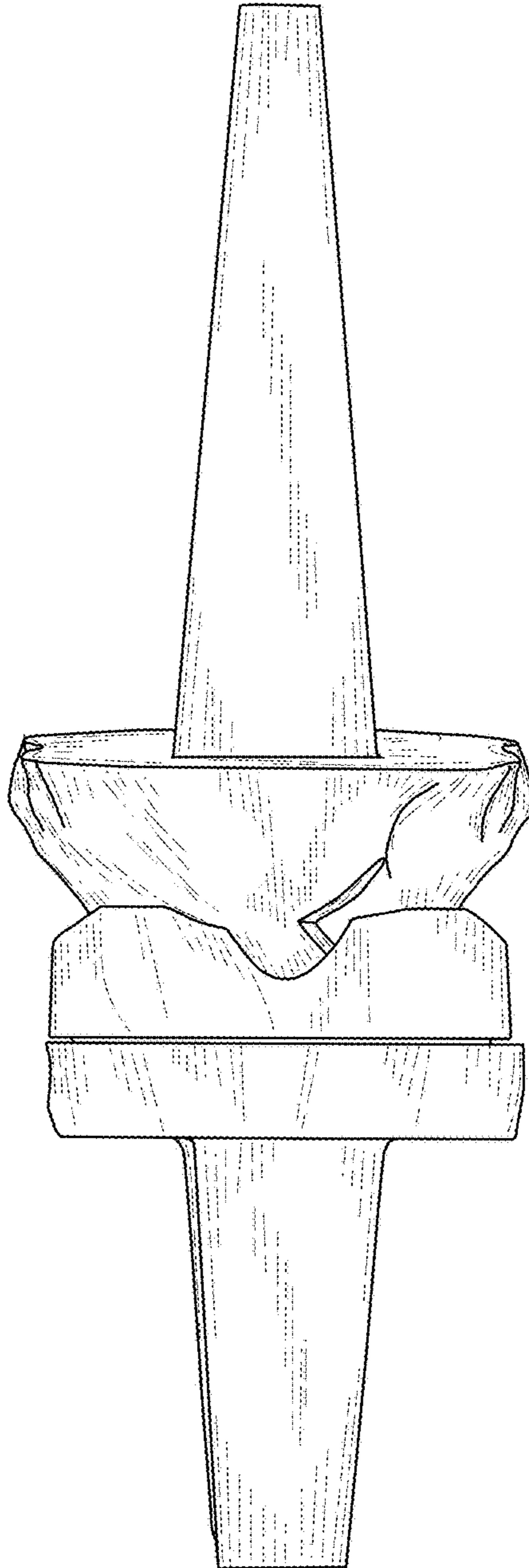


FIG. 6

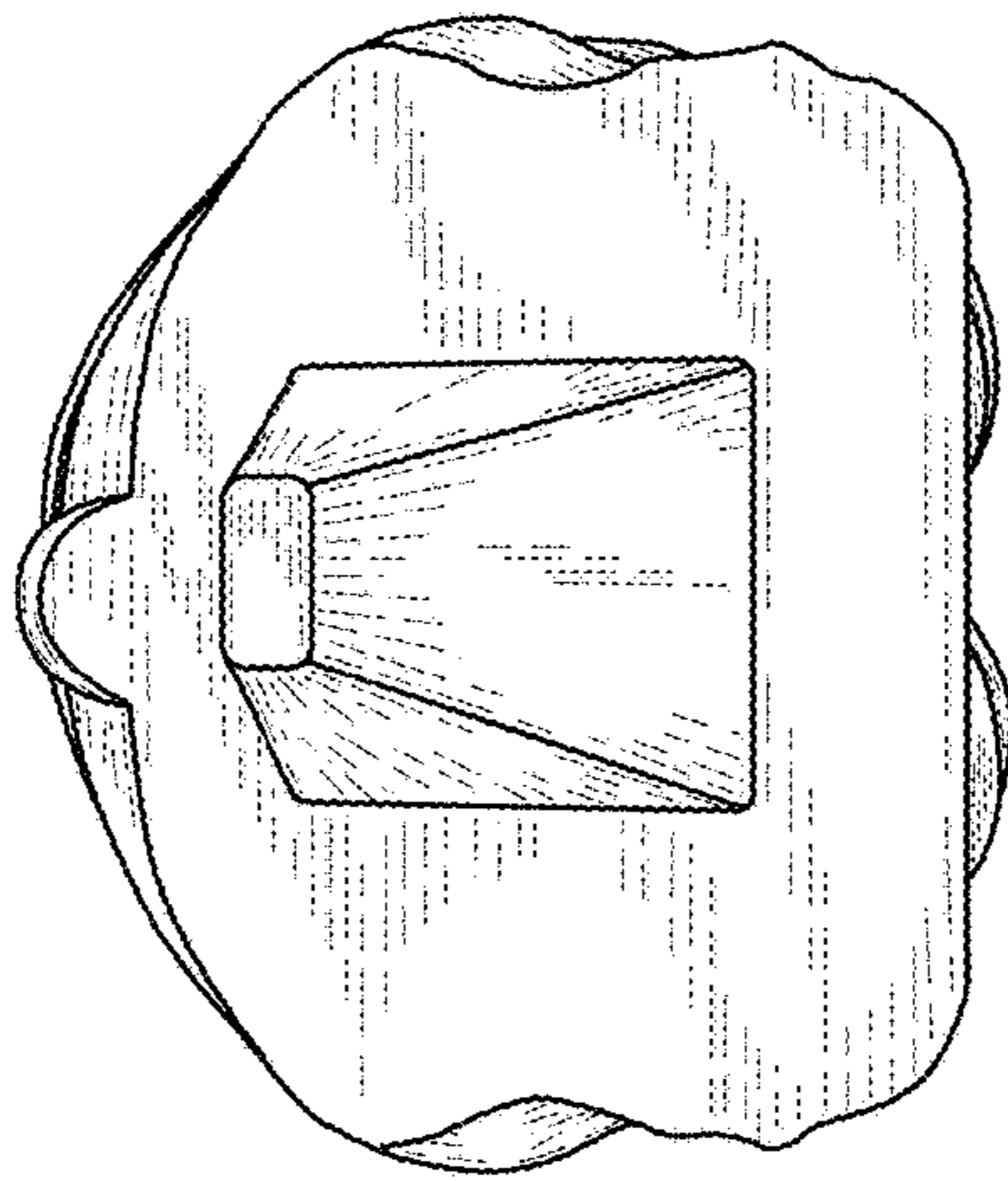


FIG. 7

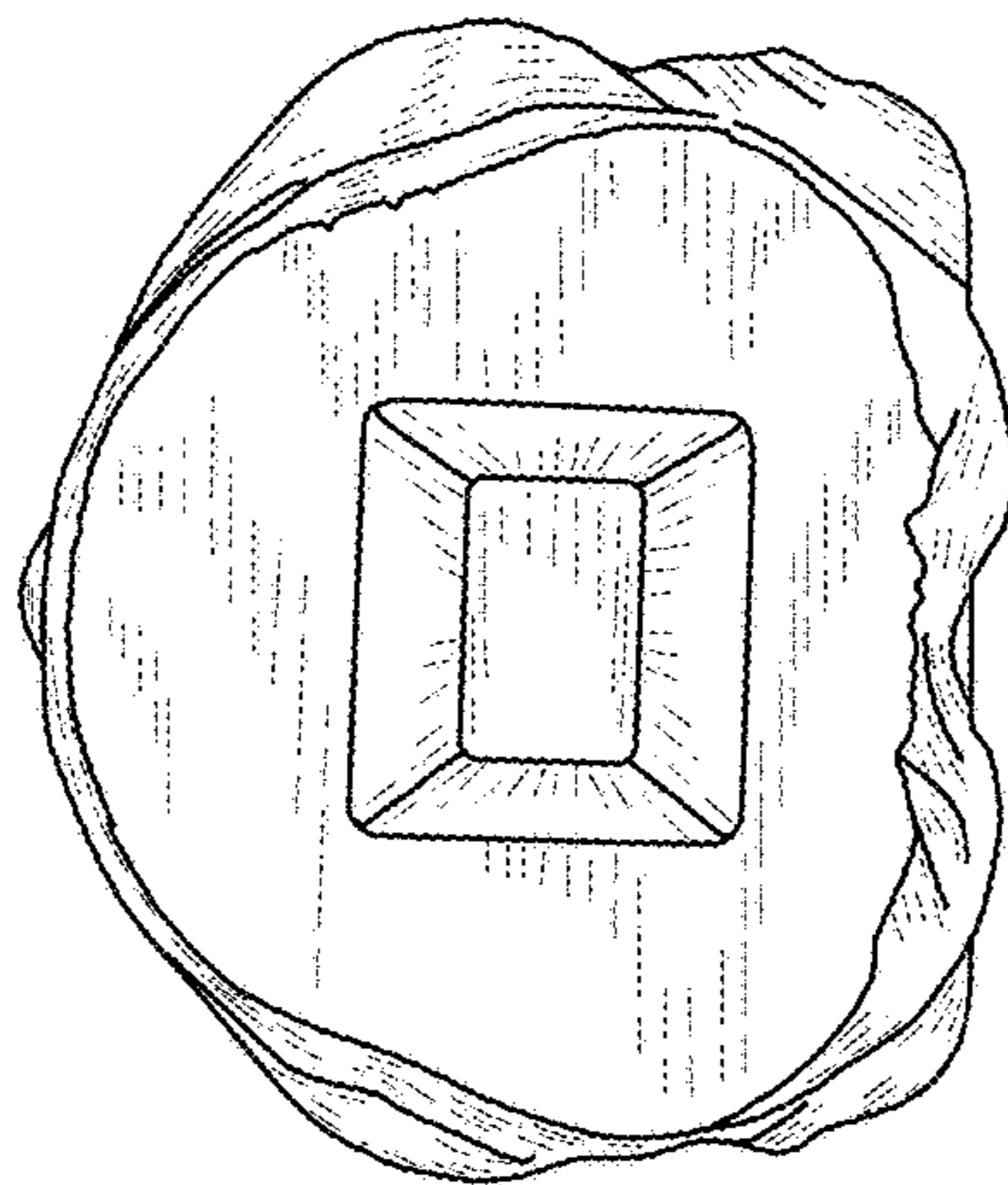


FIG. 8

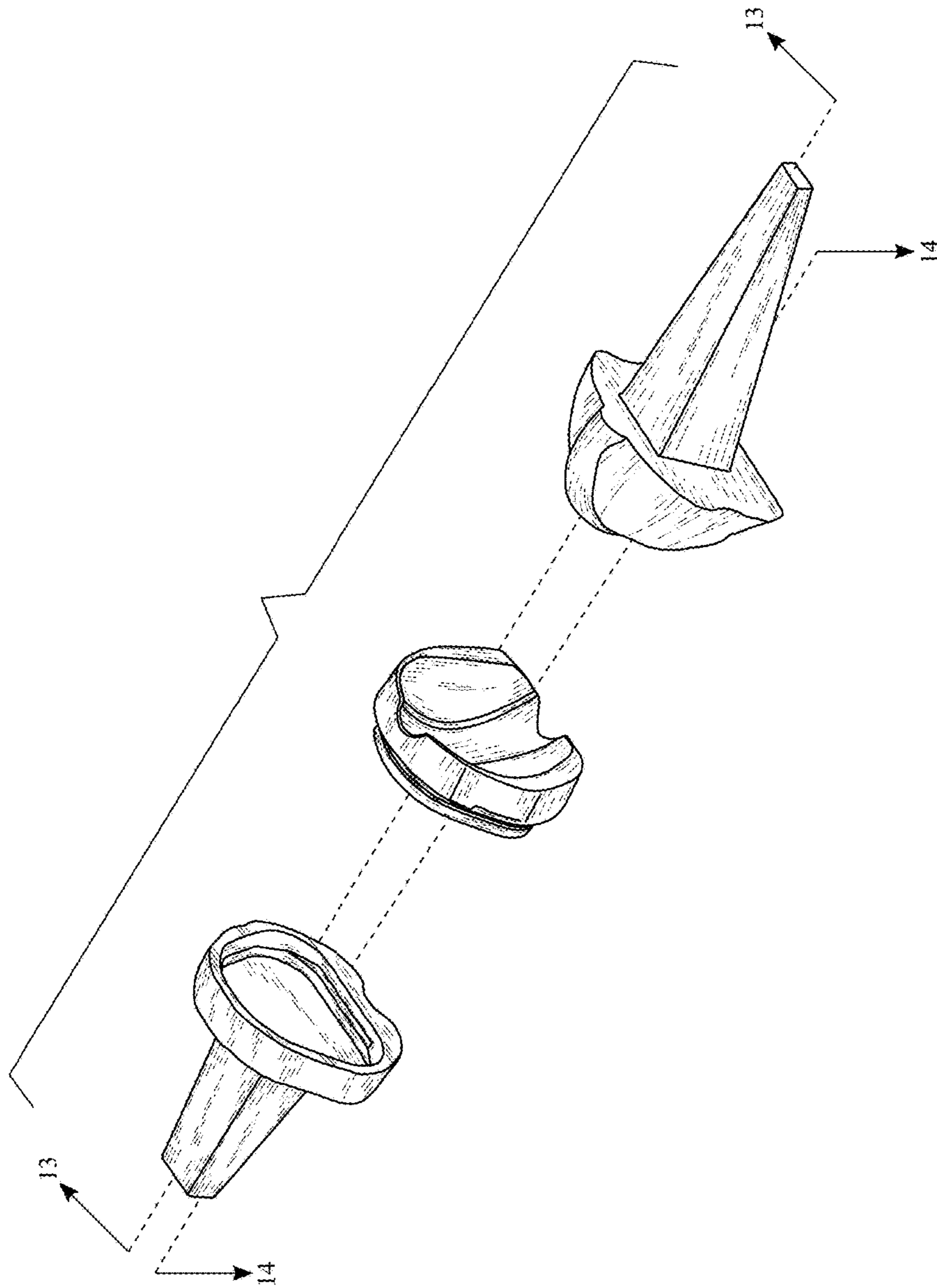


FIG. 9

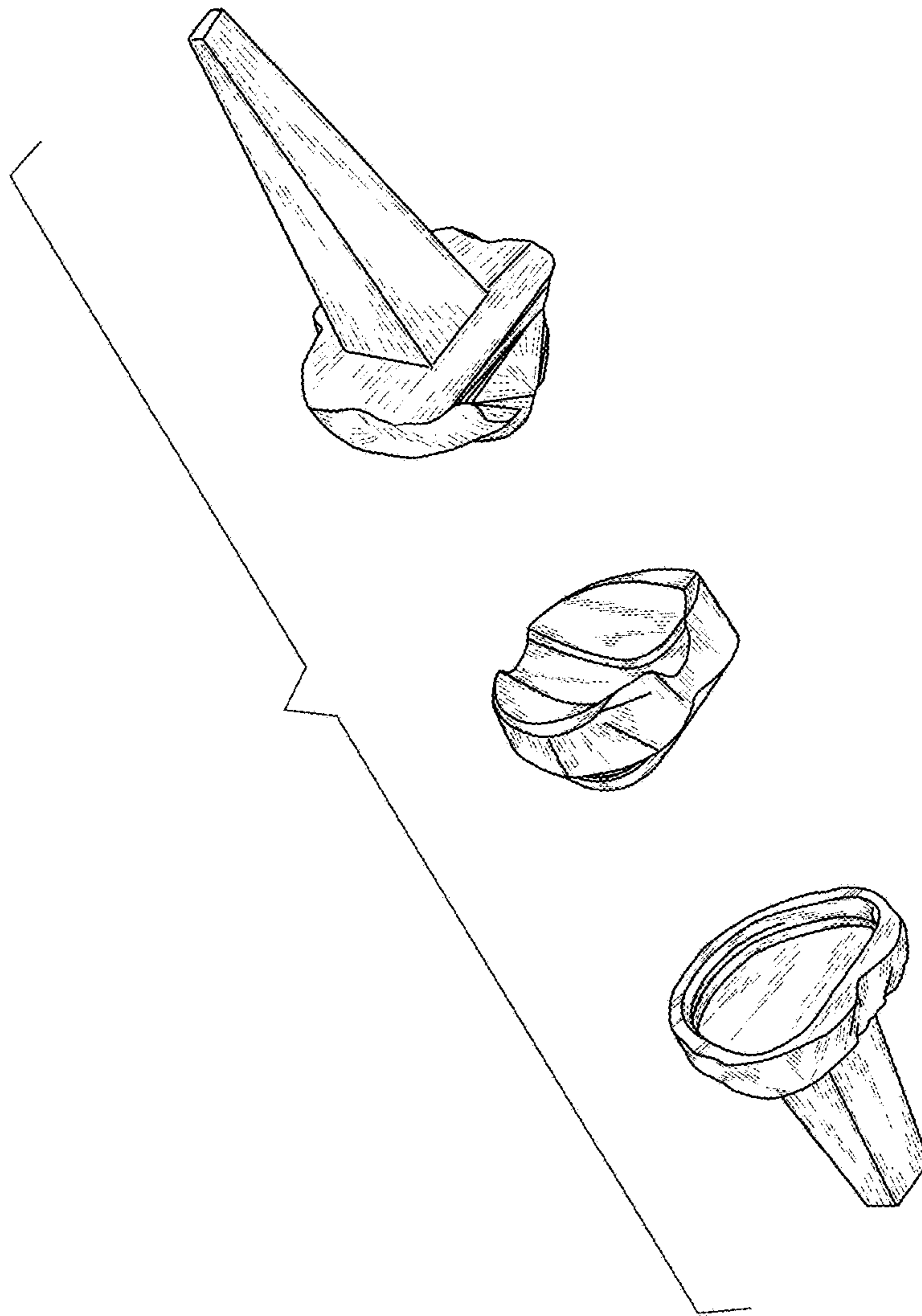


FIG. 10

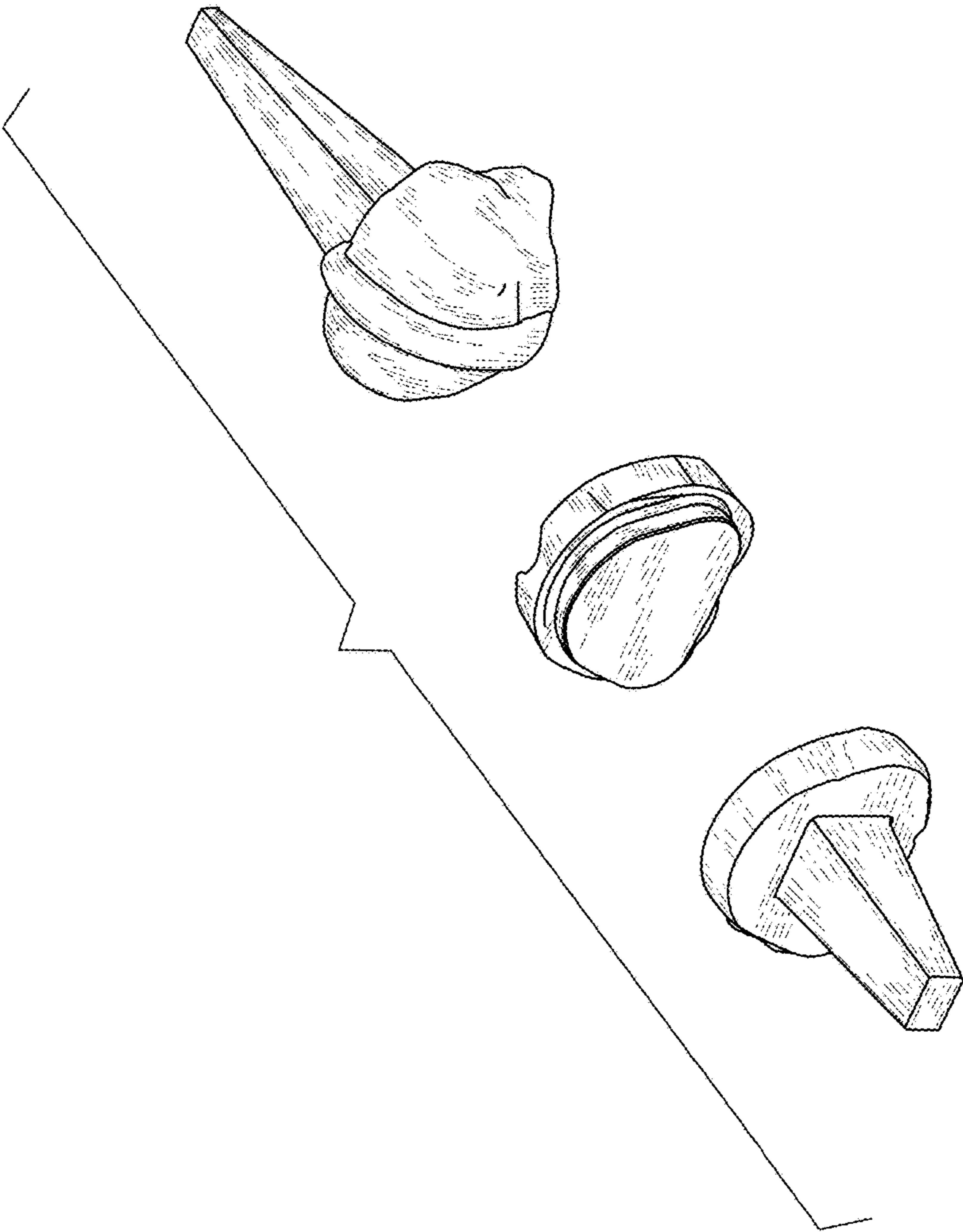


FIG. 11

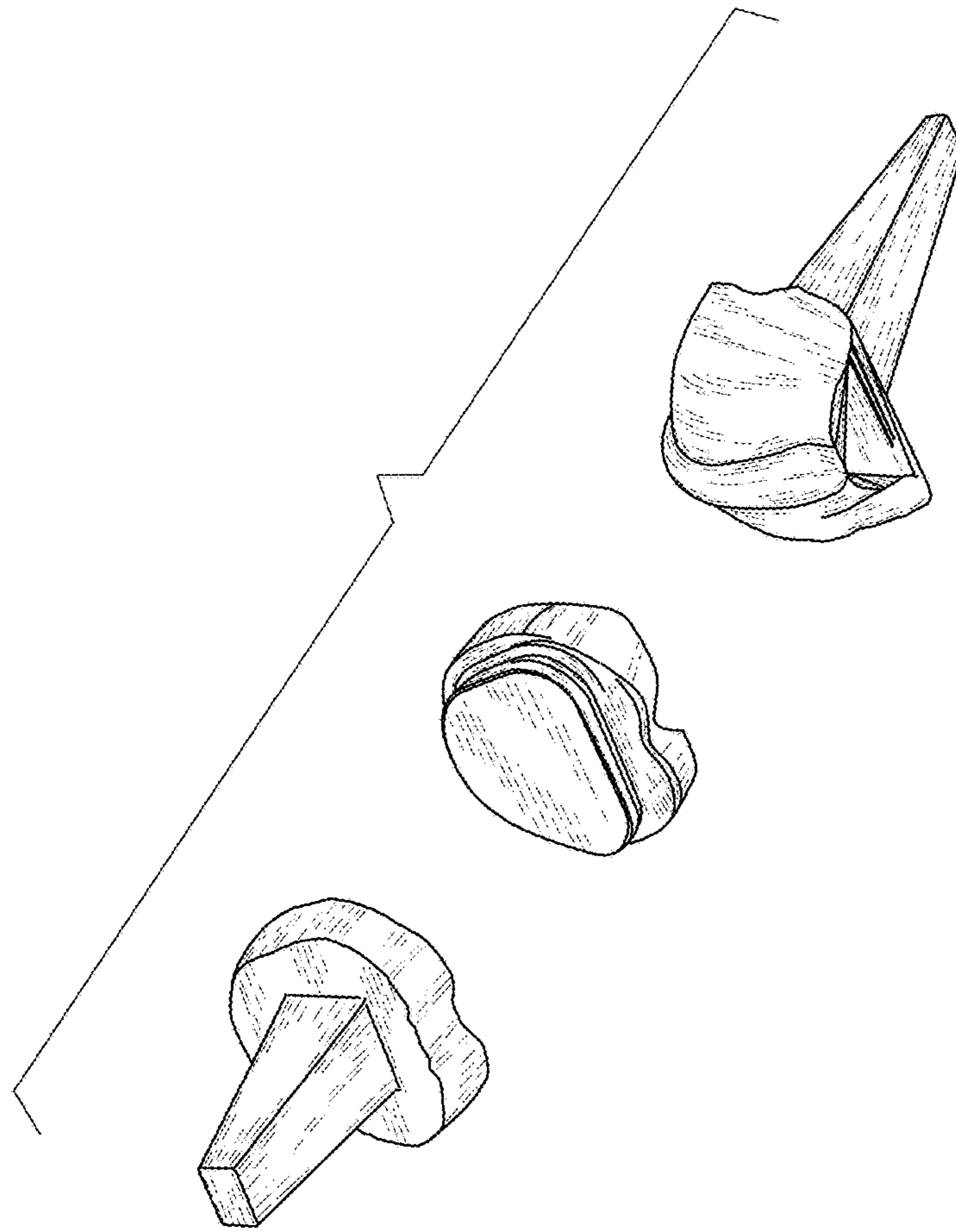


FIG. 12

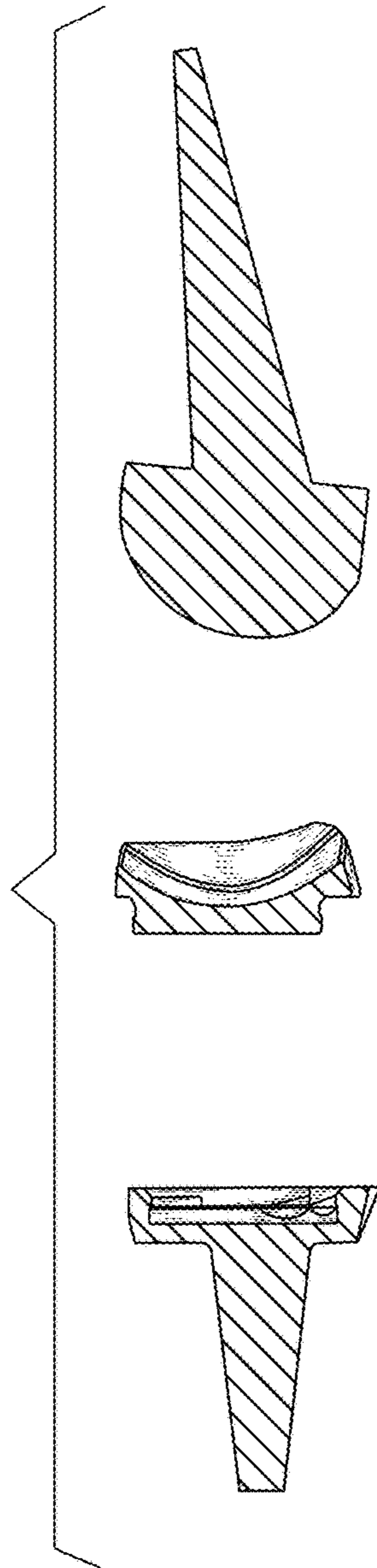


FIG. 13

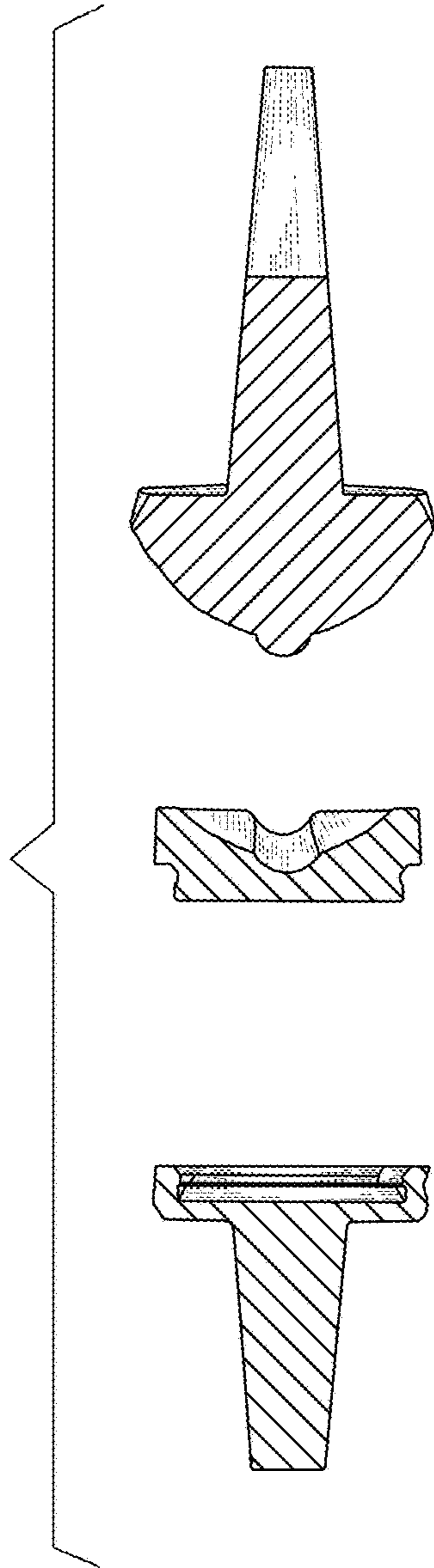


FIG. 14