



US00D842475S

(12) **United States Design Patent** (10) **Patent No.:** **US D842,475 S**
Ben Shabat et al. (45) **Date of Patent:** **** Mar. 5, 2019**

(54) **DENTAL IMPLANT**
 (71) Applicant: **TAV MEDICAL LTD., Shlomi (IL)**
 (72) Inventors: **Meir Ben Shabat, Shlomi (IL); Oded Ben Shabat, Shlomi (IL); Dan Ben Shabat, Shlomi (IL)**
 (73) Assignee: **TAV MEDICAL LTD., Shlomi (IL)**
 (**) Term: **15 Years**

D528,210 S * 9/2006 Boettcher D24/156
 D604,413 S * 11/2009 Ikeya D24/156
 D606,196 S * 12/2009 Fares D24/156
 D663,032 S * 7/2012 Mashio D24/156
 D663,419 S * 7/2012 Mashio D24/156
 D733,885 S * 7/2015 Andersin D24/156
 D752,756 S * 3/2016 Aravena D24/156
 D783,823 S * 4/2017 Emanuelli D24/156
 D783,825 S * 4/2017 Emanuelli D24/156
 D785,179 S * 4/2017 Emanuelli D24/156
 D808,016 S * 1/2018 Kim D24/156

* cited by examiner

(21) Appl. No.: **29/616,240**
 (22) Filed: **Sep. 5, 2017**

Primary Examiner — Charles D Hanson
 (74) *Attorney, Agent, or Firm* — Sughrue Mion, PLLC

(30) **Foreign Application Priority Data**

Mar. 5, 2017 (IL) 60080

(51) **LOC (11) Cl.** **24-03**

(52) **U.S. Cl.**
USPC **D24/155**

(58) **Field of Classification Search**
 USPC D24/155–157
 CPC A61C 8/00; A61C 8/0089; A61C 8/0069;
 A61C 8/0054; A61C 8/0096; A61C
 8/0039; A61C 8/0063; A61C 8/006; A61C
 8/0001; A61C 8/0012; A61C 8/0075;
 A61C 8/0083; A61C 13/225
 See application file for complete search history.

(56) **References Cited**

U.S. PATENT DOCUMENTS

D414,556 S * 9/1999 Broberg D24/156
 D507,650 S * 7/2005 Teich D24/156

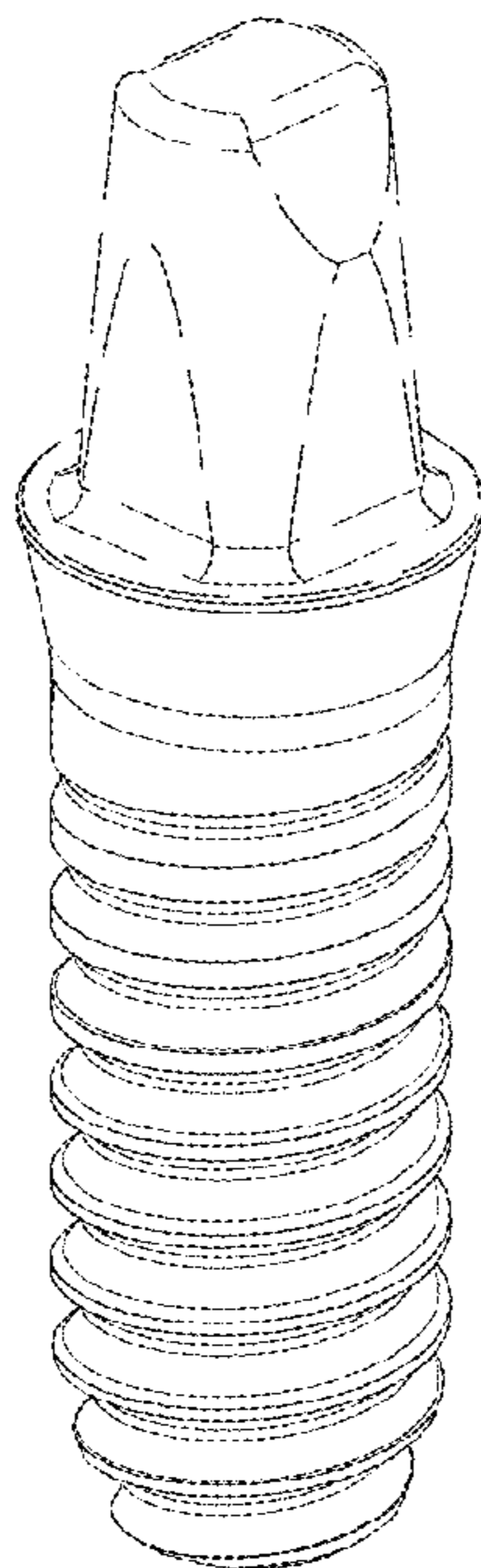
(57) **CLAIM**

The ornamental design for a dental implant, as shown and described.

DESCRIPTION

FIG. 1 is a left view showing our dental implant design including the bottom part thereof, which is screwed into the patient's jaw;
 FIG. 2 is a front view thereof;
 FIG. 3 is a right view thereof;
 FIG. 4 is a back view thereof;
 FIG. 5 is a top view thereof;
 FIG. 6 is a bottom view thereof;
 FIG. 7 is a first Isometric view; and,
 FIG. 8 is a second Isometric view.
 The broken line are used to show portions of the dental implant that are not being claimed, and thus form no part of the claimed design.

1 Claim, 1 Drawing Sheet



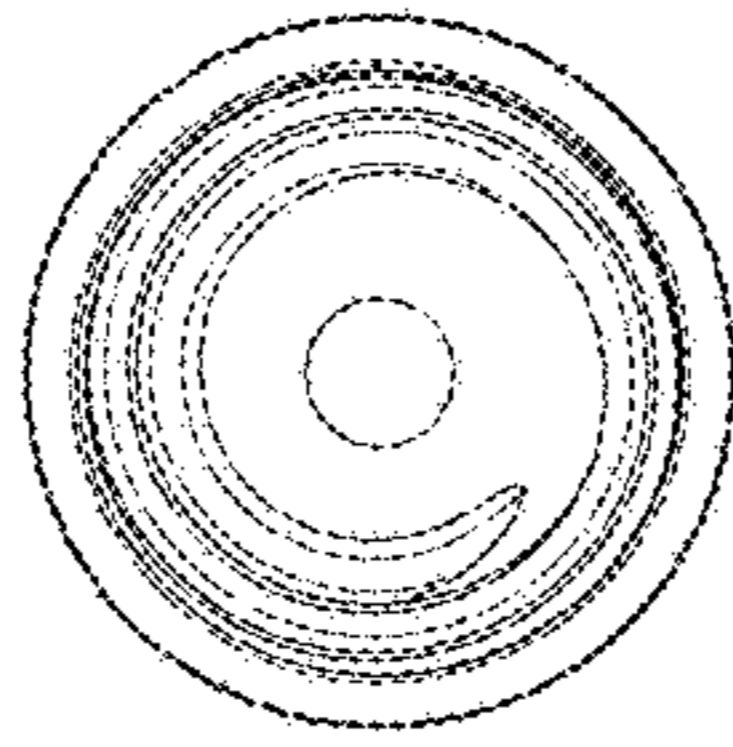


Fig. 6

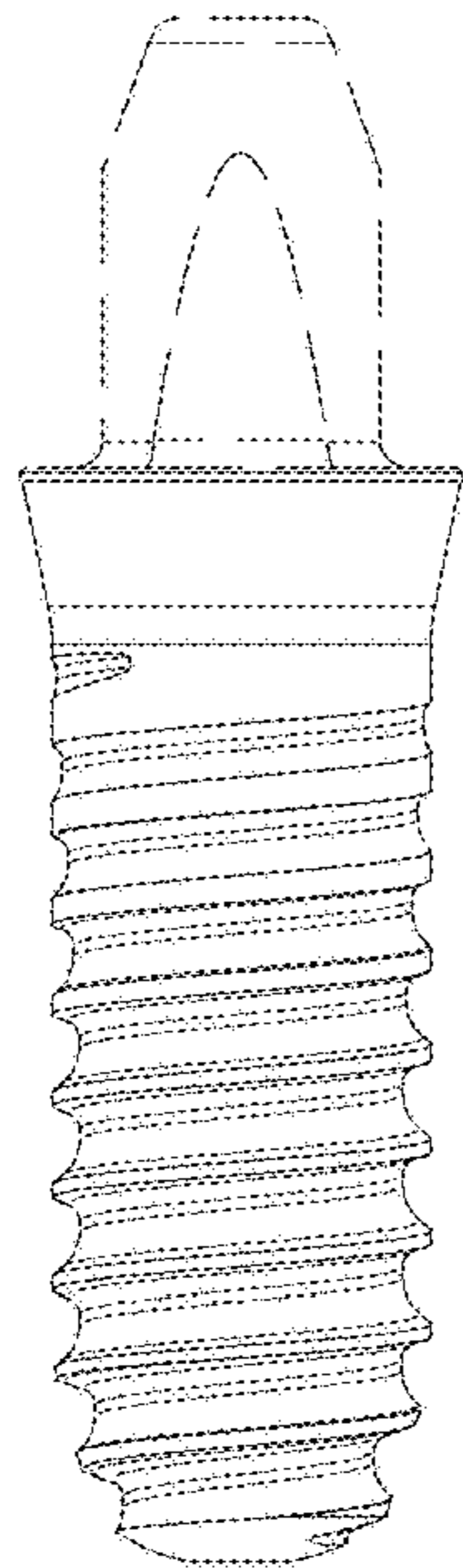


Fig. 1

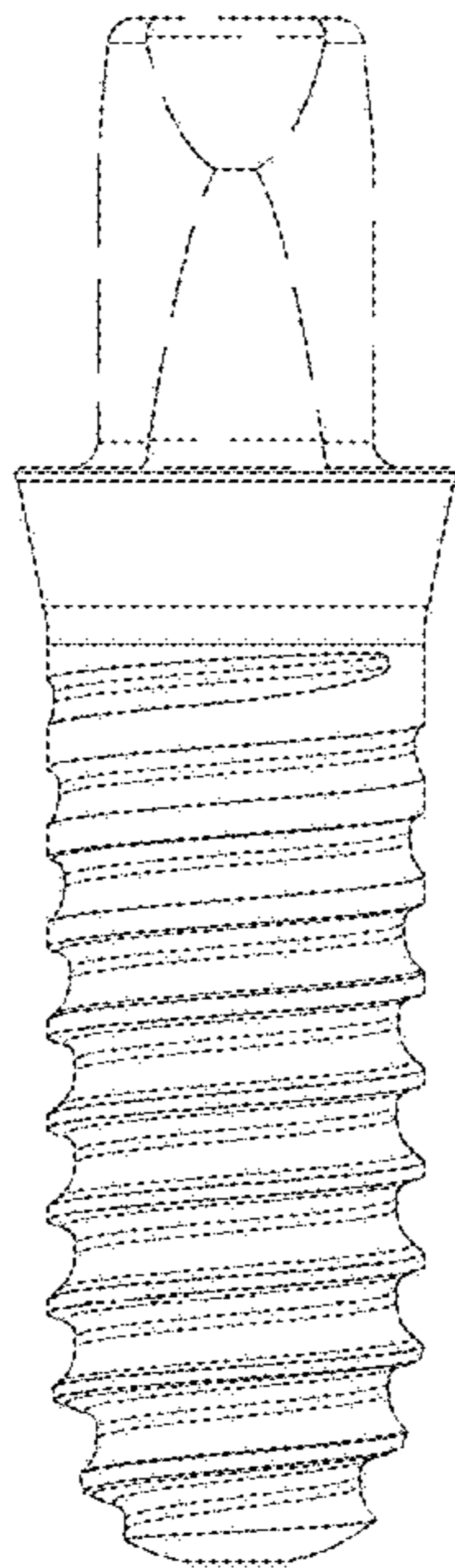


Fig. 2

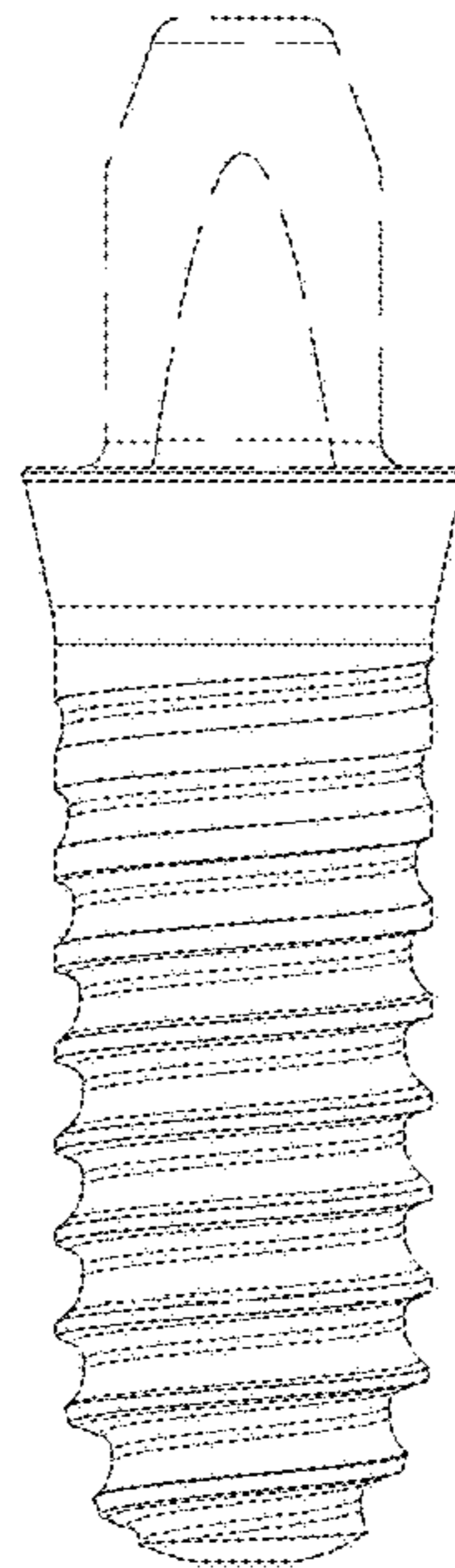


Fig. 3

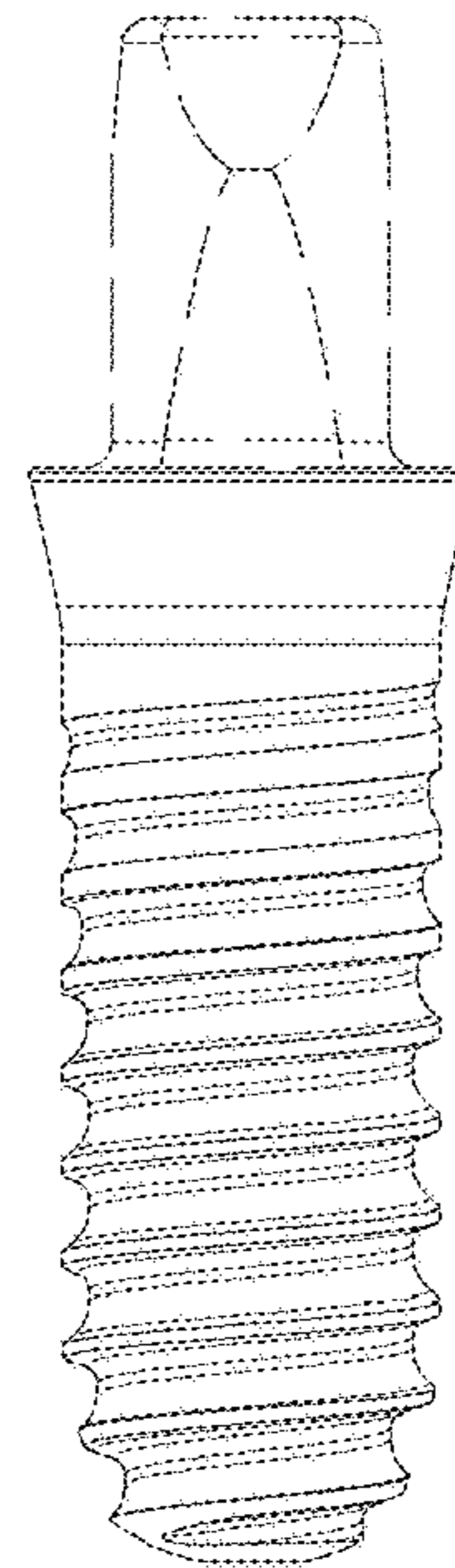


Fig. 4

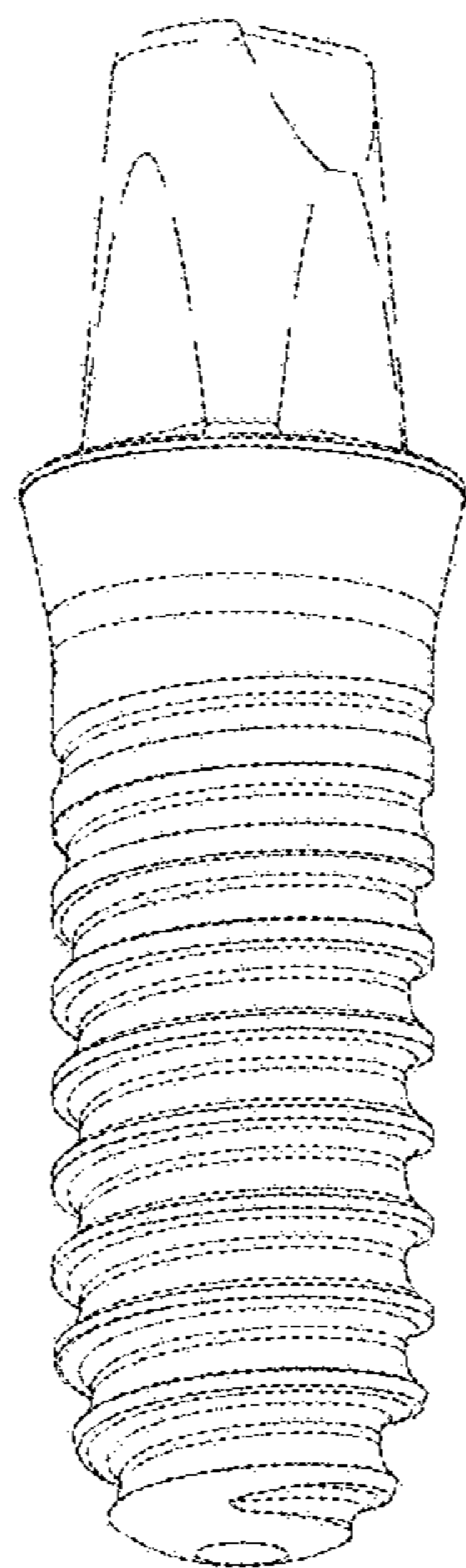


Fig. 7

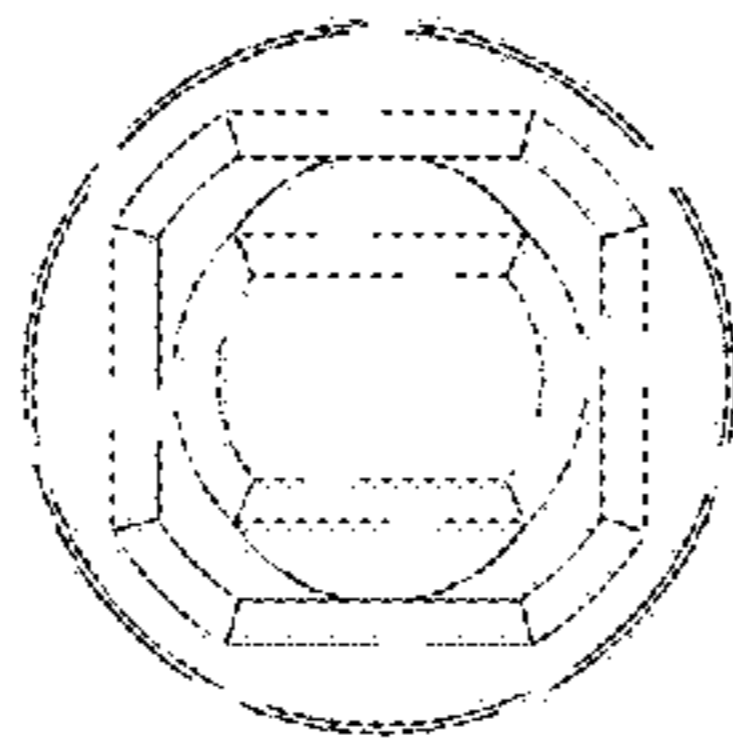


Fig. 5

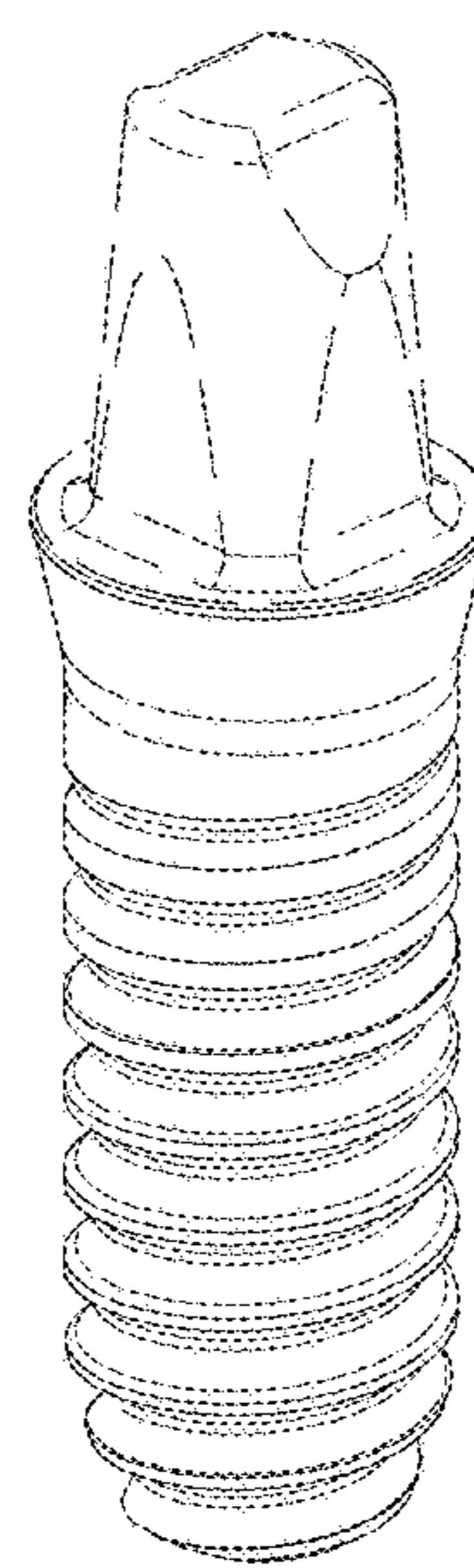


Fig. 8