



US00D842471S

(12) **United States Design Patent** (10) **Patent No.:** **US D842,471 S**  
**Alladu et al.** (45) **Date of Patent:** **\*\* \*Mar. 5, 2019**

(54) **SUTURE ANCHOR DISPENSER WITHOUT DEPRESSION**

(71) Applicant: **Healthium Medtech Private Limited**, Bangalore (IN)

(72) Inventors: **Hemanth Kumar Alladu**, Bangalore (IN); **Vasuki Bk**, Bangalore (IN); **Krishna Mohan Rao Apparasu**, Bangalore (IN); **Mohammed Azeez**, Bangalore (IN); **Anoop Penupolu**, Bangalore (IN)

(73) Assignee: **Healthium Medtech Private Limited**, Bangalore (IN)

(\*) Notice: This patent is subject to a terminal disclaimer.

(\*\*) Term: **15 Years**

(21) Appl. No.: **29/617,170**

(22) Filed: **Sep. 12, 2017**

(30) **Foreign Application Priority Data**

Mar. 13, 2017 (IN) ..... 291706

(51) **LOC (11) Cl.** ..... **24-02**

(52) **U.S. Cl.**  
USPC ..... **D24/145**

(58) **Field of Classification Search**  
USPC ..... D24/145-147  
CPC ..... A61B 17/0401; A61B 17/68; A61B 2017/0409; A61B 2017/0445; A61B 2017/0448; A61B 2017/0458  
See application file for complete search history.

(56) **References Cited**

**U.S. PATENT DOCUMENTS**

2,959,172 A \* 11/1960 Held ..... A61B 17/0469  
D24/145

D330,591 S \* 10/1992 Rosenberg ..... D24/147

5,207,679 A \* 5/1993 Li ..... A61B 17/0401  
606/139  
5,827,291 A \* 10/1998 Fucci ..... A61B 17/0401  
606/104  
D605,764 S \* 12/2009 Griffis, III ..... D24/145  
7,645,293 B2 \* 1/2010 Martinek ..... A61B 17/0401  
606/232  
8,758,367 B2 \* 6/2014 Philippon ..... A61B 17/0401  
606/139

(Continued)

*Primary Examiner* — Wan Laymon  
(74) *Attorney, Agent, or Firm* — Grandhi Law Chambers;  
Krishna C. V. Grandhi

(57) **CLAIM**

The ornamental design for a suture anchor dispenser without depression, as shown and described.

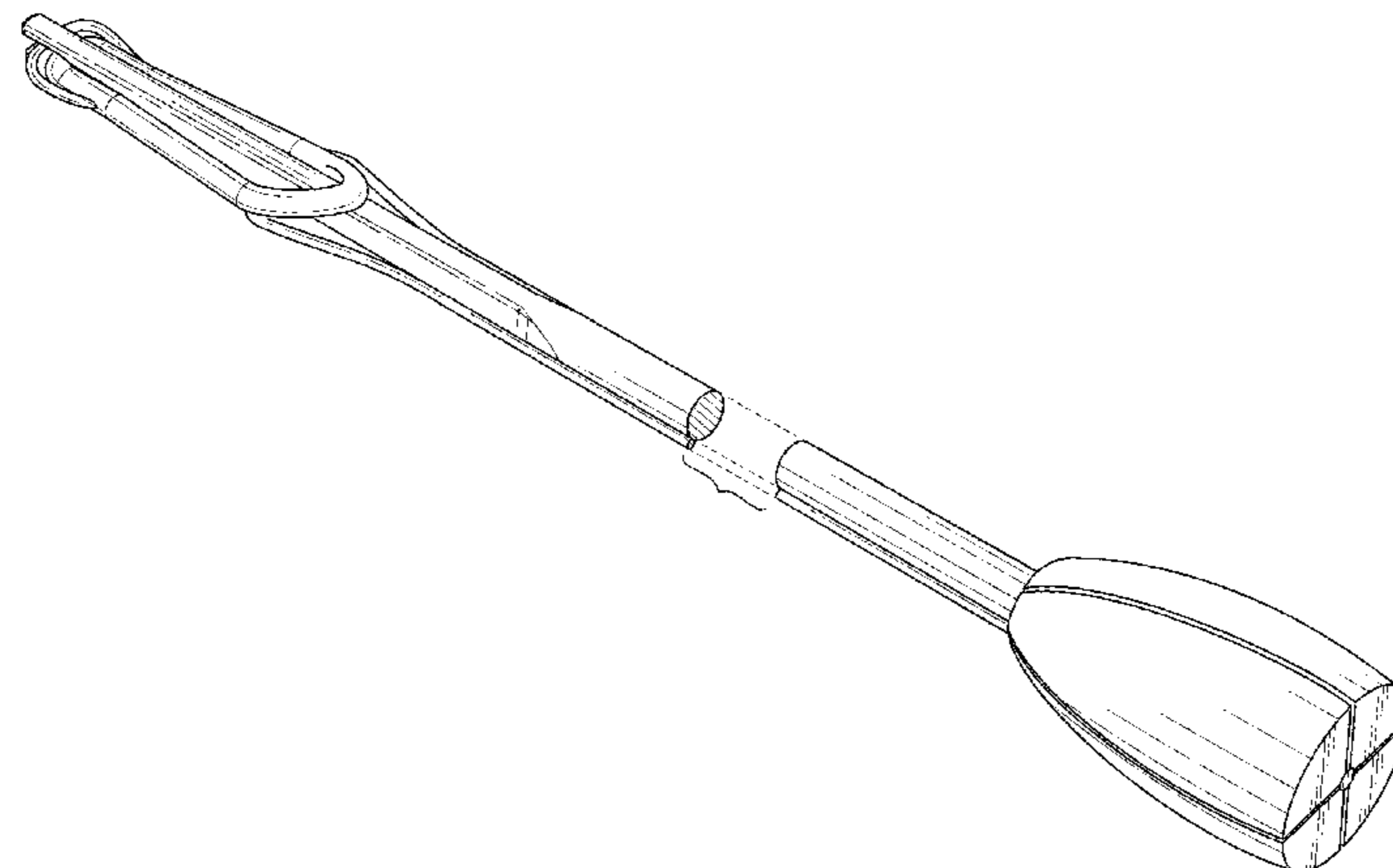
**DESCRIPTION**

FIG. 1 is a perspective view of a suture anchor dispenser without depression of the new design;  
FIG. 2 is a front elevational view of the suture anchor dispenser without depression of FIG. 1;  
FIG. 3 is a rear elevational view of the suture anchor dispenser without depression of FIG. 1;  
FIG. 4 is a left-side elevational view of the suture anchor dispenser without depression of FIG. 1;  
FIG. 5 is a right-side elevational view of the suture anchor dispenser without depression of FIG. 1;  
FIG. 6 is a top plan view of the suture anchor dispenser without depression of FIG. 1; and,  
FIG. 7 is a bottom plan view of the suture anchor dispenser without depression of FIG. 1.

The broken lines shown in the drawings are included for purposes of illustrating portions of the design or environment and form no part of the claimed design.

The broken away symbols in the drawings indicate the appearance of any portion of the article between the break lines forms no part of the claimed design.

**1 Claim, 4 Drawing Sheets**



(56)

**References Cited**

U.S. PATENT DOCUMENTS

9,421,037	B2 *	8/2016	Harper .....	A61B 17/8875
9,924,934	B2 *	3/2018	Housman .....	A61B 17/0401
2014/0172016	A1 *	6/2014	Housman .....	A61B 17/0401
				606/232
2014/0364905	A1 *	12/2014	Lunn .....	A61B 17/0401
				606/232
2017/0172562	A1 *	6/2017	Lombardo .....	A61B 17/0401

\* cited by examiner

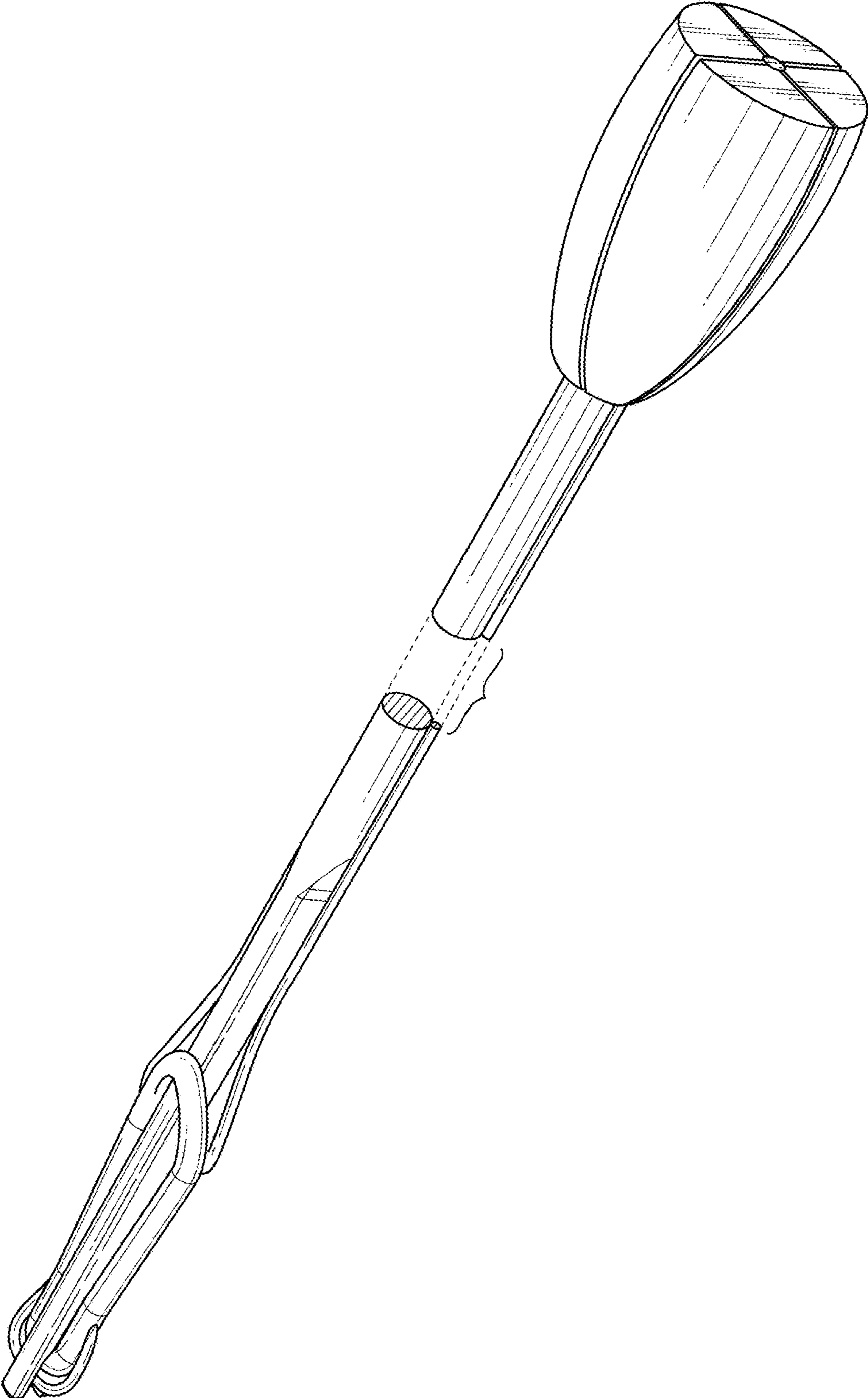


FIG. 1

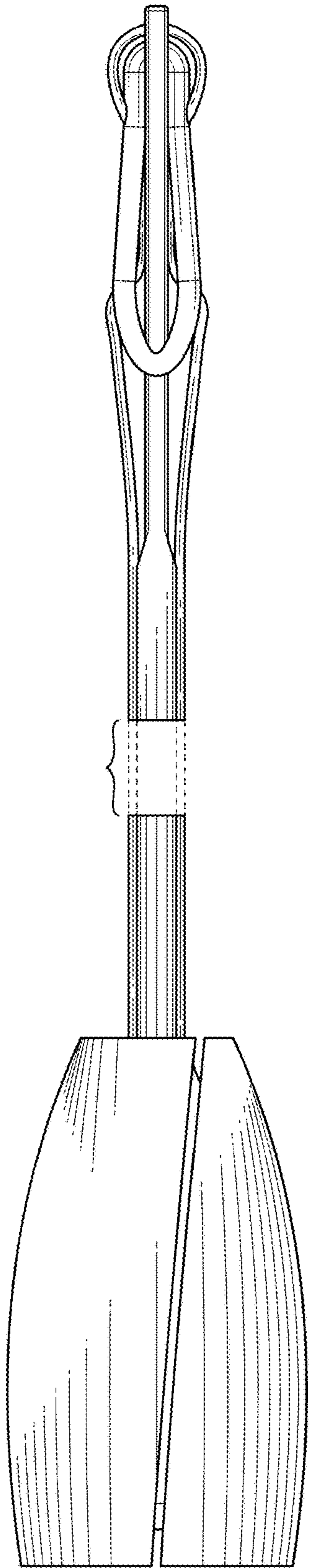


FIG. 2

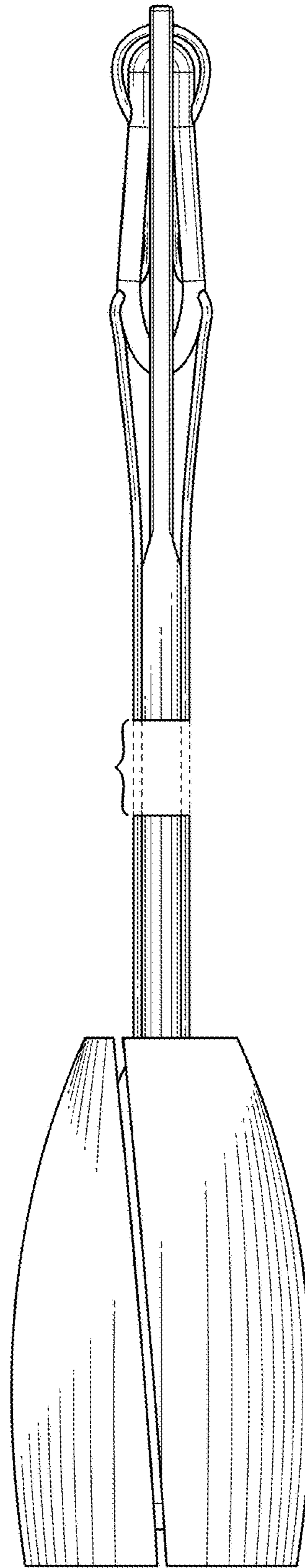


FIG. 3

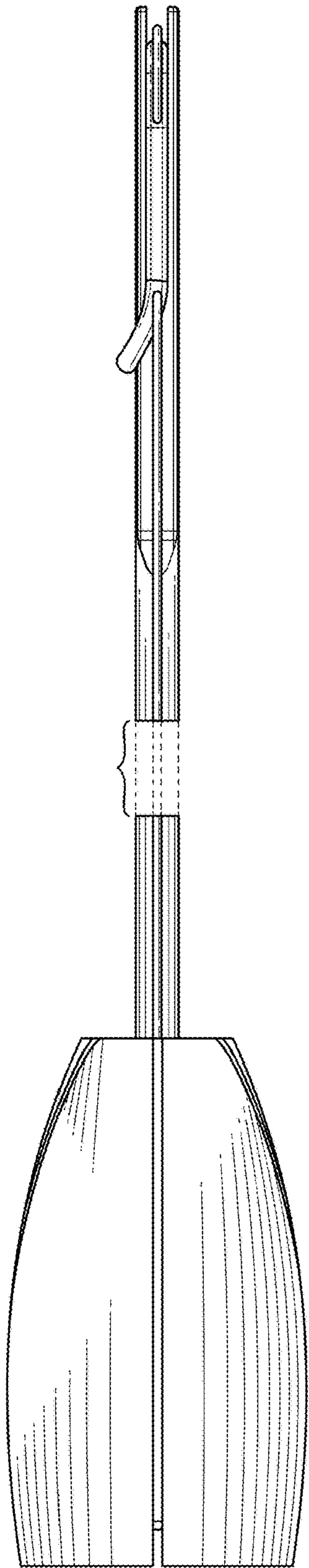


FIG. 4

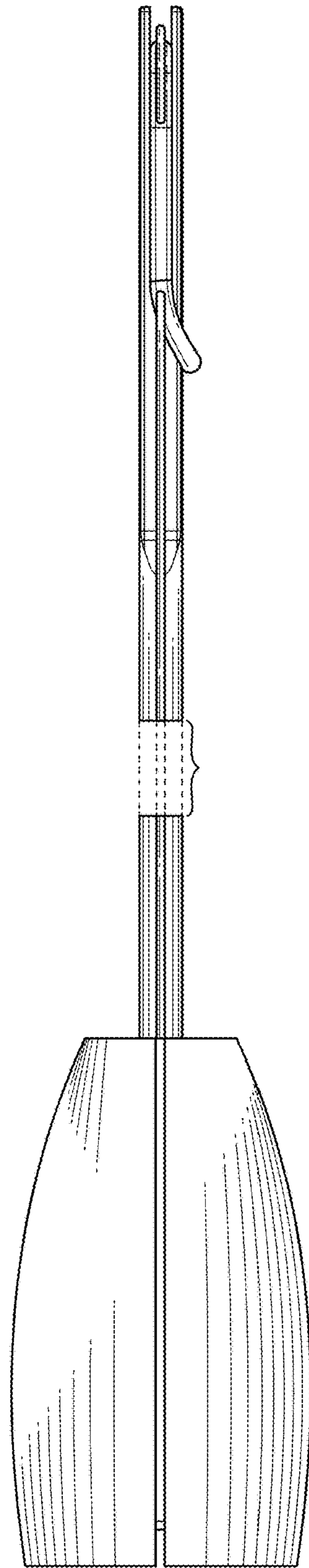


FIG. 5

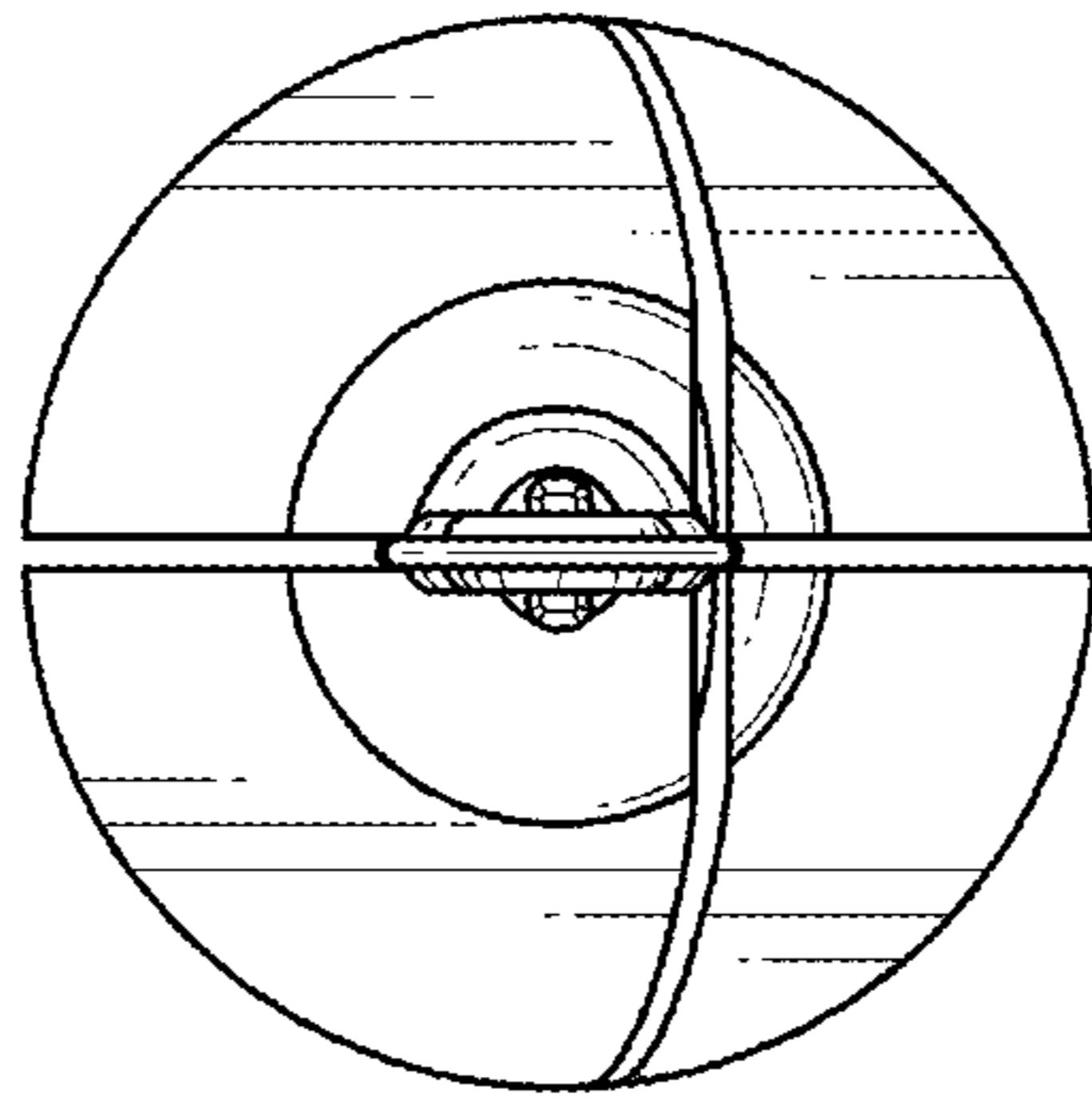


FIG. 6

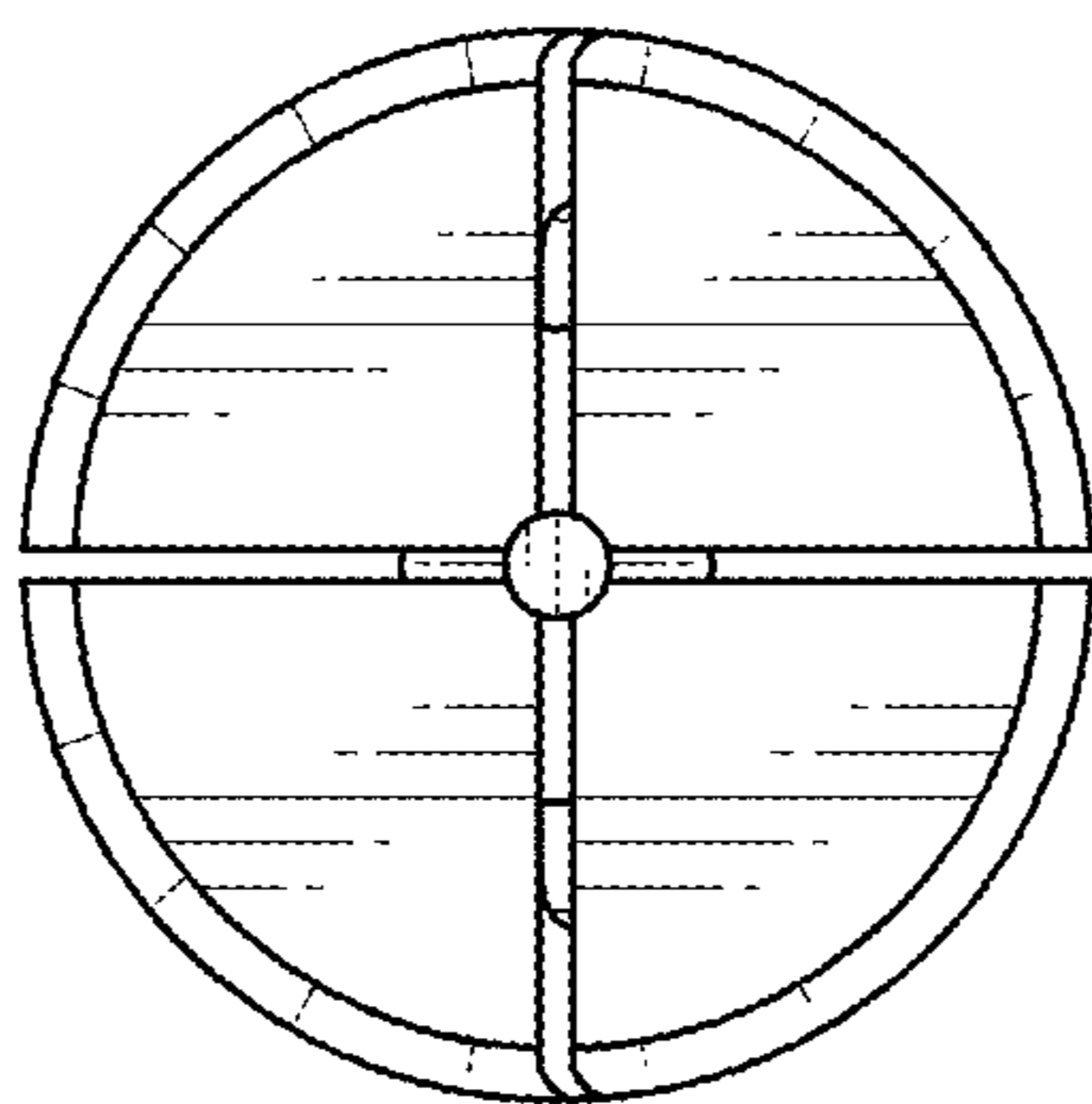


FIG. 7