



US00D842469S

(12) **United States Design Patent**
Di Sessa et al.

(10) **Patent No.:** **US D842,469 S**

(45) **Date of Patent:** **** Mar. 5, 2019**

(54) **LASER SYSTEM**

(71) Applicant: **Azena Medical, LLC**, Pleasant Hill,
CA (US)

(72) Inventors: **Alexandre B. Di Sessa**, Walnut Creek,
CA (US); **Kenneth Lester Blanchard**,
Vacaville, CA (US)

(**) Term: **15 Years**

(21) Appl. No.: **29/585,060**

(22) Filed: **Nov. 19, 2016**

(51) **LOC (11) Cl.** **24-02**

(52) **U.S. Cl.**
USPC **D24/144**

(58) **Field of Classification Search**
USPC D24/107, 112, 130, 133, 144, 146,
D24/185-186, 176-177, 108; D14/341,
D14/485; 600/103; 604/19, 93.01
CPC A61B 18/20; A61B 18/201; A61B 18/22;
A61B 2017/00199; A61B 2018/202;
A61C 1/0046; G09G 3/30

See application file for complete search history.

(56) **References Cited**

U.S. PATENT DOCUMENTS

D232,325 S	8/1974	Durden, III	
D246,189 S	10/1977	Smith	
D366,318 S *	1/1996	Lukac	D24/144
6,102,696 A	8/2000	Osterwalder et al.	
6,129,721 A	10/2000	Kataoka	
6,159,005 A	12/2000	Herold et al.	
D438,952 S *	3/2001	Cimino	D24/144
D453,966 S *	2/2002	Claren	D24/144
6,702,576 B2	3/2004	Fischer et al.	
6,709,128 B2	3/2004	Gordon et al.	
6,719,559 B2	4/2004	Cao	
6,829,427 B1	12/2004	Becker	
6,994,546 B2	2/2006	Fischer	
7,056,116 B2	6/2006	Scott	

D529,613 S	10/2006	Fischer	
D530,013 S	10/2006	Fischer et al.	
7,195,482 B2	3/2007	Scott	
7,210,814 B2	5/2007	Scott et al.	
7,273,369 B2	9/2007	Rosenblood et al.	
7,443,296 B2 *	10/2008	Mezhinsky	A61B 90/92 340/10.1

7,581,846 B2	9/2009	Hayman et al.	
7,695,469 B2	4/2010	Boutoussov	

(Continued)

OTHER PUBLICATIONS

Notice of Allowance dated May 14, 2018 for U.S. Appl. No. 29/574,307.

(Continued)

Primary Examiner — Wan Laymon

(74) *Attorney, Agent, or Firm* — Stoel Rives LLP

(57) **CLAIM**

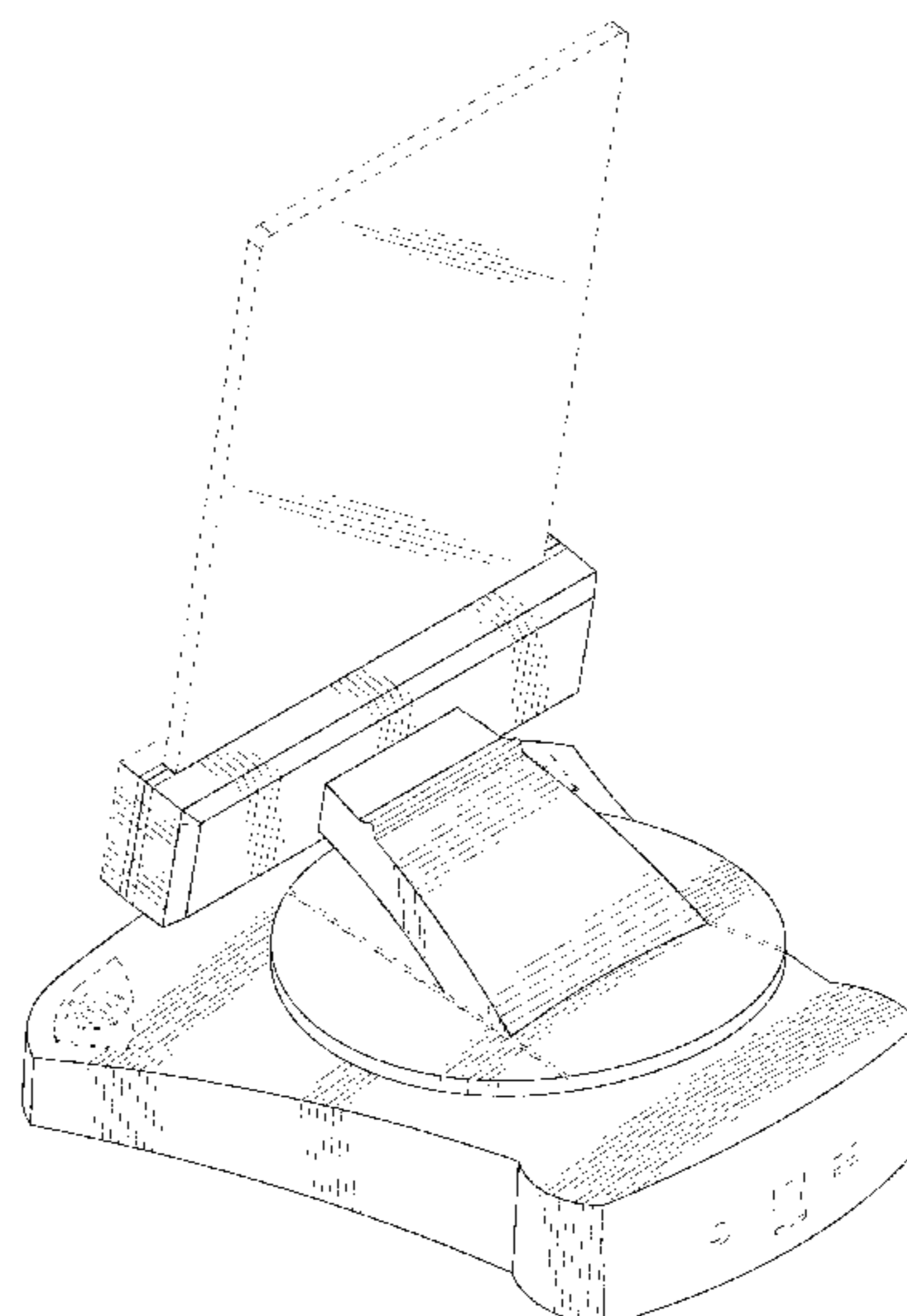
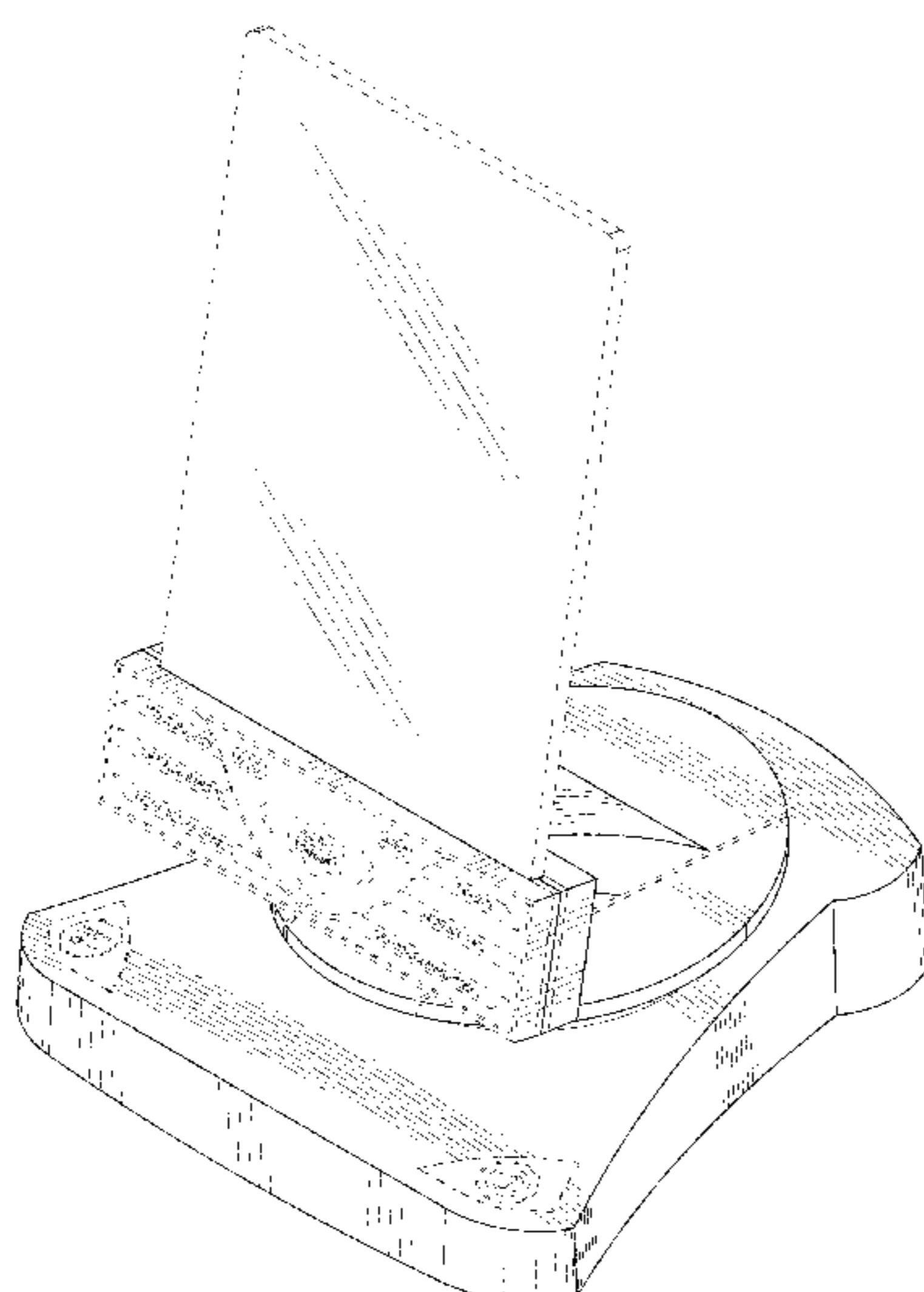
The ornamental design for a laser system, as shown and described.

DESCRIPTION

FIG. 1 is a front perspective view of a laser system showing our new design;
FIG. 2 is another front perspective view thereof;
FIG. 3 is a rear perspective view thereof;
FIG. 4 is a front elevation view thereof;
FIG. 5 is a rear elevation view thereof;
FIG. 6 is a right elevation view thereof;
FIG. 7 is a left elevation view thereof;
FIG. 8 is a top plan view thereof; and,
FIG. 9 is a bottom plan view thereof.

The broken lines immediately adjacent the shaded areas represent the bounds of the claimed design, while all other broken lines are directed to environment and are for illustrative purposes only; the broken lines form no part of the claimed design.

1 Claim, 9 Drawing Sheets



(56)

References Cited

U.S. PATENT DOCUMENTS

7,815,630 B2 * 10/2010 Rizoiu A61B 18/20
606/1
D629,908 S * 12/2010 Jerger D24/176
D638,944 S 5/2011 Smith
D660,965 S 5/2012 Waclawik
8,192,359 B2 * 6/2012 Kusakabe A61B 5/00
433/27
8,277,442 B2 10/2012 Di Sessa
D699,854 S * 2/2014 Kagawa D24/177
8,711,355 B2 4/2014 Jessop
9,539,073 B2 1/2017 Jessop
2003/0036031 A1 2/2003 Lieb et al.
2006/0018123 A1 1/2006 Rose
2006/0040231 A1 2/2006 Quan et al.
2009/0208894 A1 8/2009 Orloff
2010/0082020 A1 * 4/2010 Gong A61B 18/20
606/12

2010/0106146 A1 4/2010 Boitor
2012/0257390 A1 10/2012 Fowler
2013/0330684 A1 * 12/2013 Dillon A61C 1/0046
433/29
2013/0344456 A1 12/2013 Jessop
2015/0073399 A1 * 3/2015 Boitor A61B 18/22
606/15
2015/0250572 A1 9/2015 Gramann
2017/0148378 A1 * 5/2017 Di Sessa A61B 18/22

OTHER PUBLICATIONS

Office Action dated Aug. 7, 2017 for U.S. Appl. No. 29/574,307.
Office Action dated Aug. 27, 2018 for U.S. Appl. No. 29/585,061.
Product Brochure: SiriusMax Advance Curing System www.siriusmax.com/product/siriusmax, ,2016.
Notice of Allowance dated Sep. 26, 2018 for U.S. Appl. No. 29/585,062.

* cited by examiner

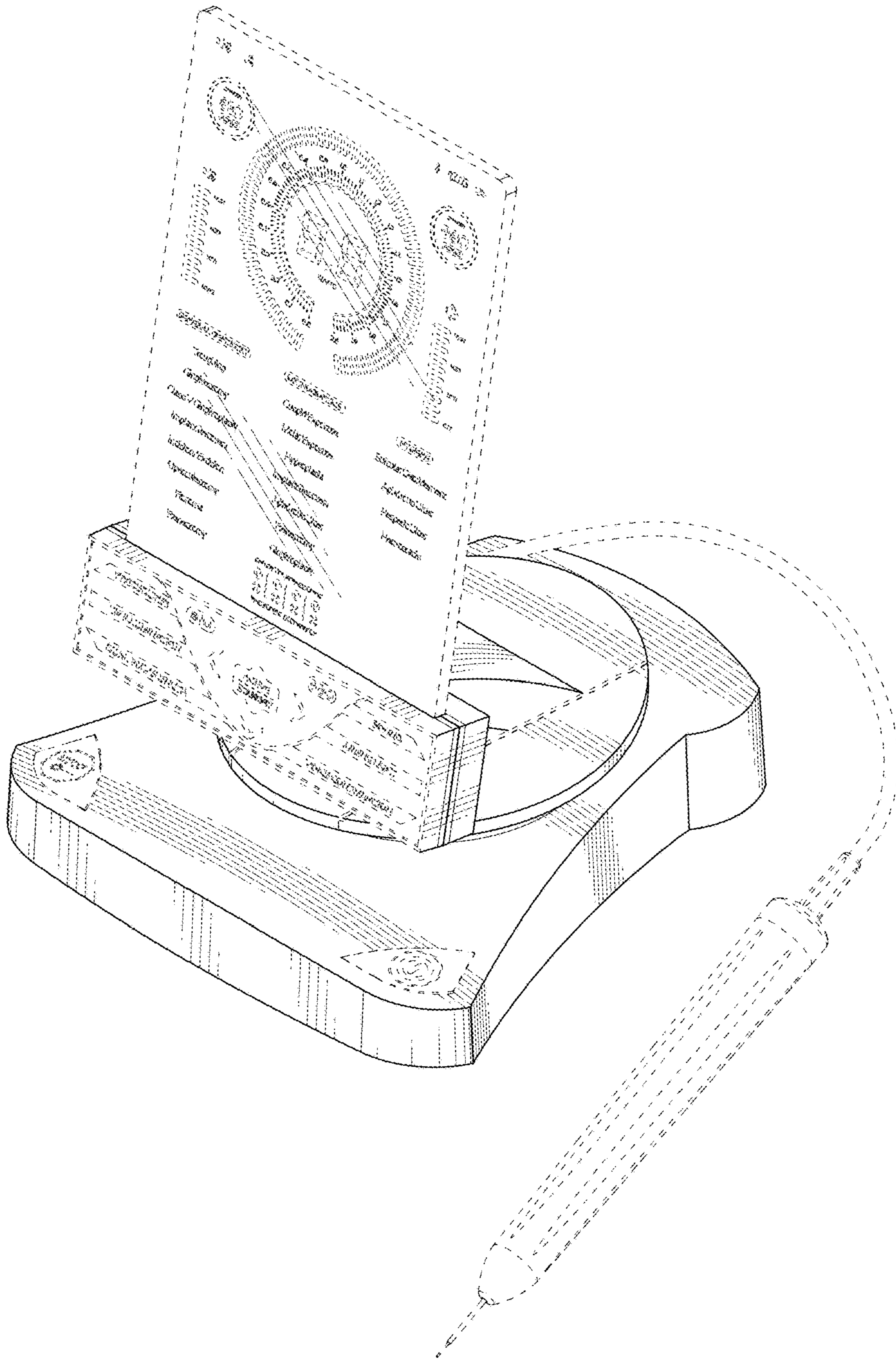


FIG. 1

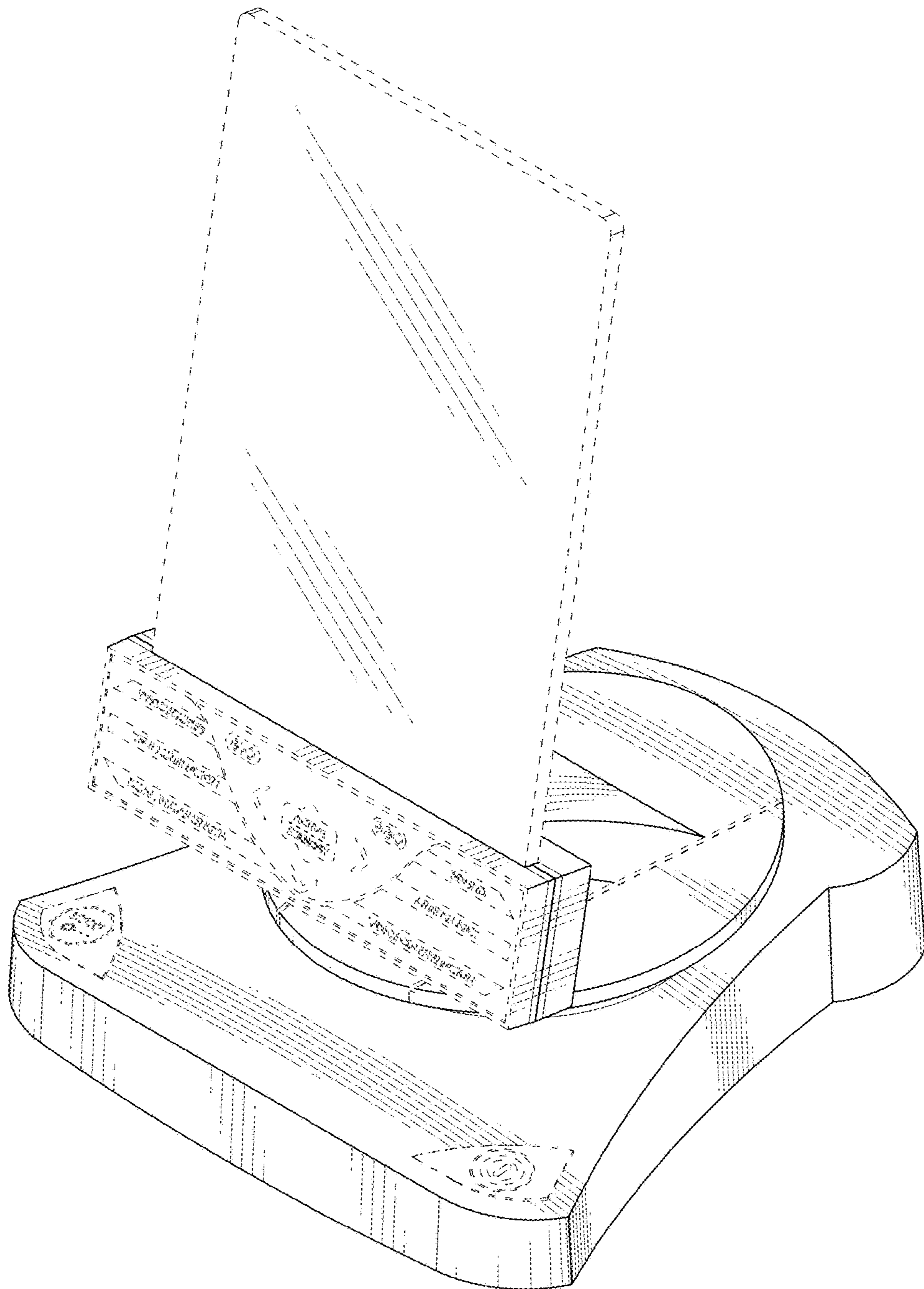


FIG. 2

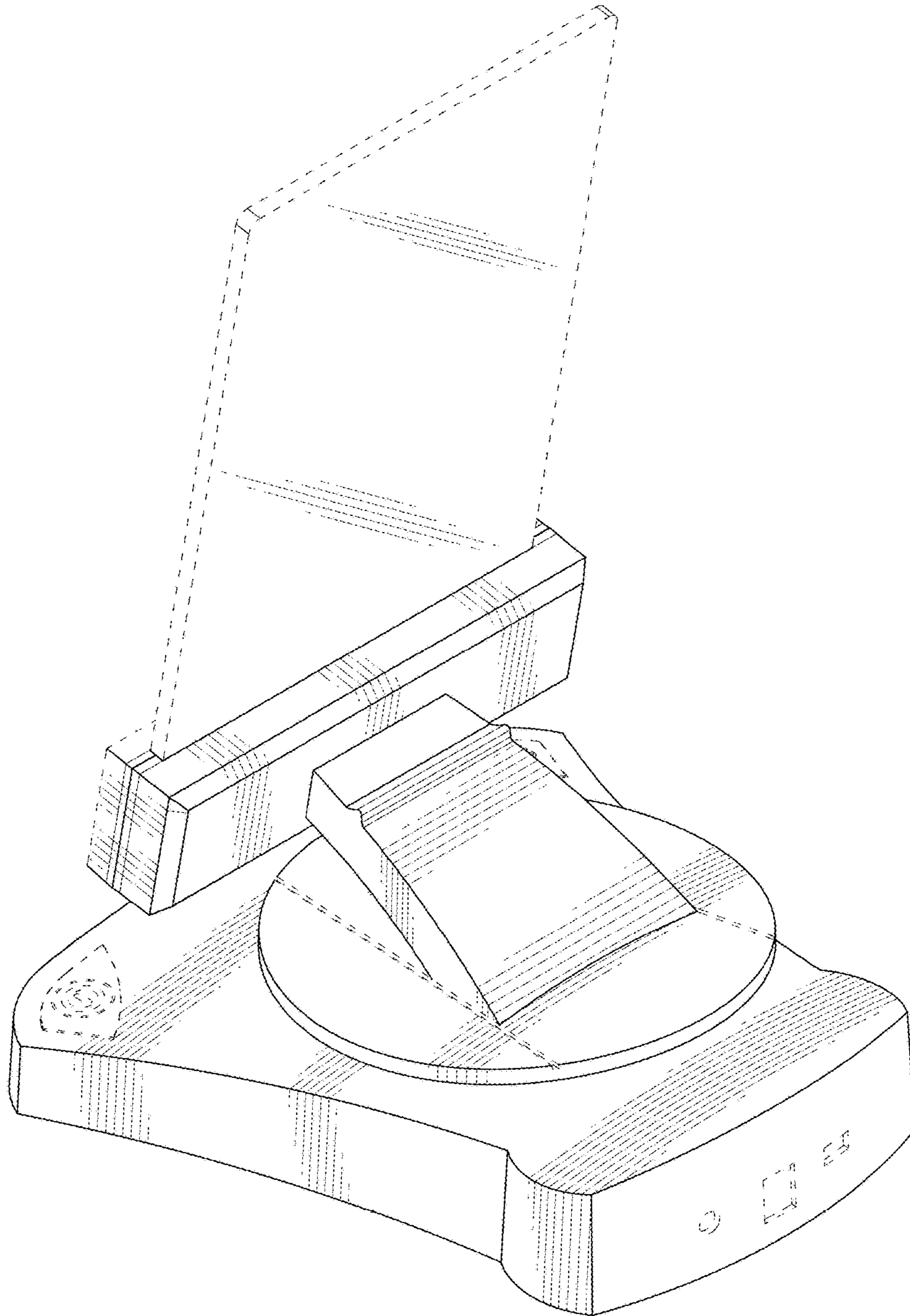


FIG. 3

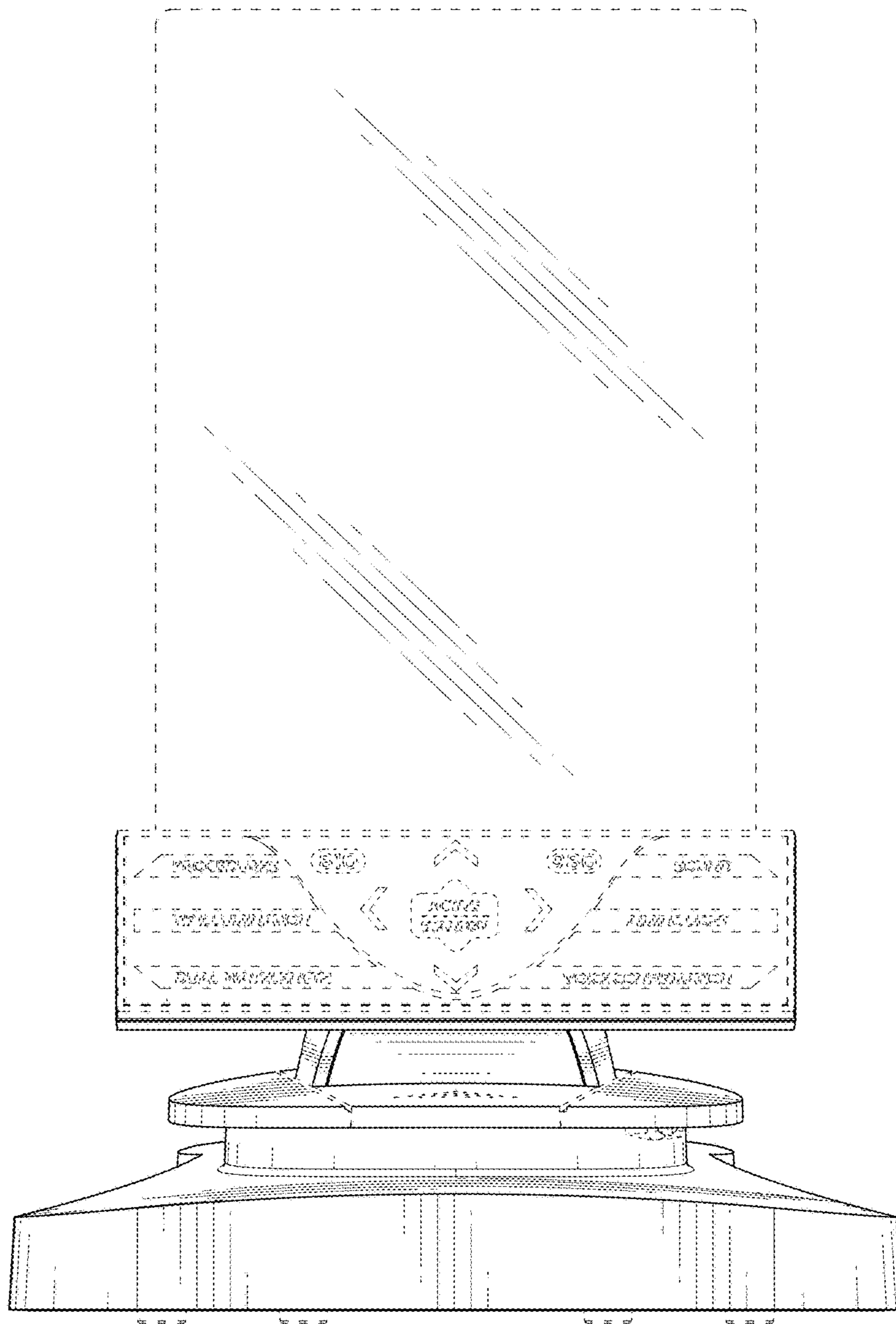


FIG. 4

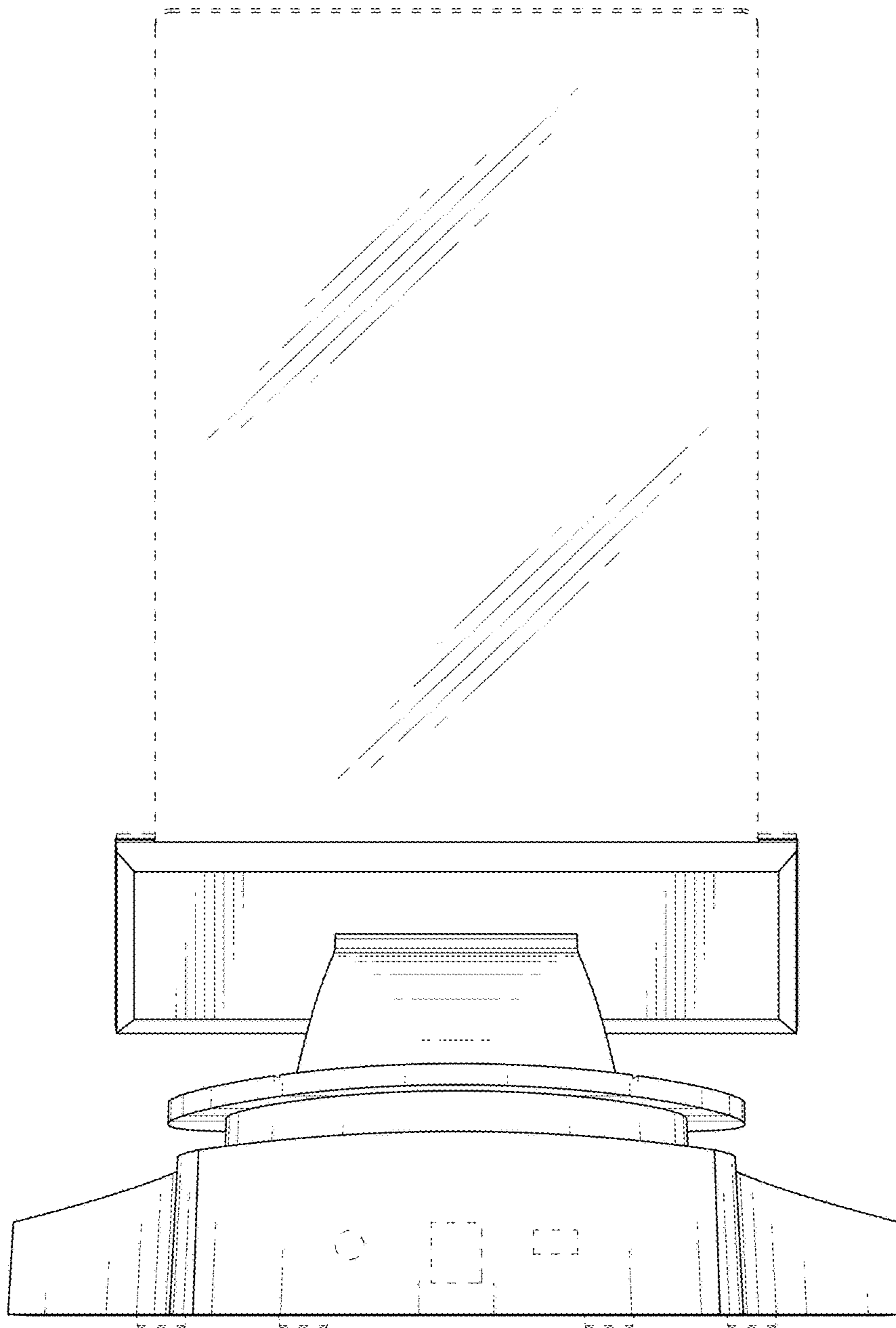


FIG. 5

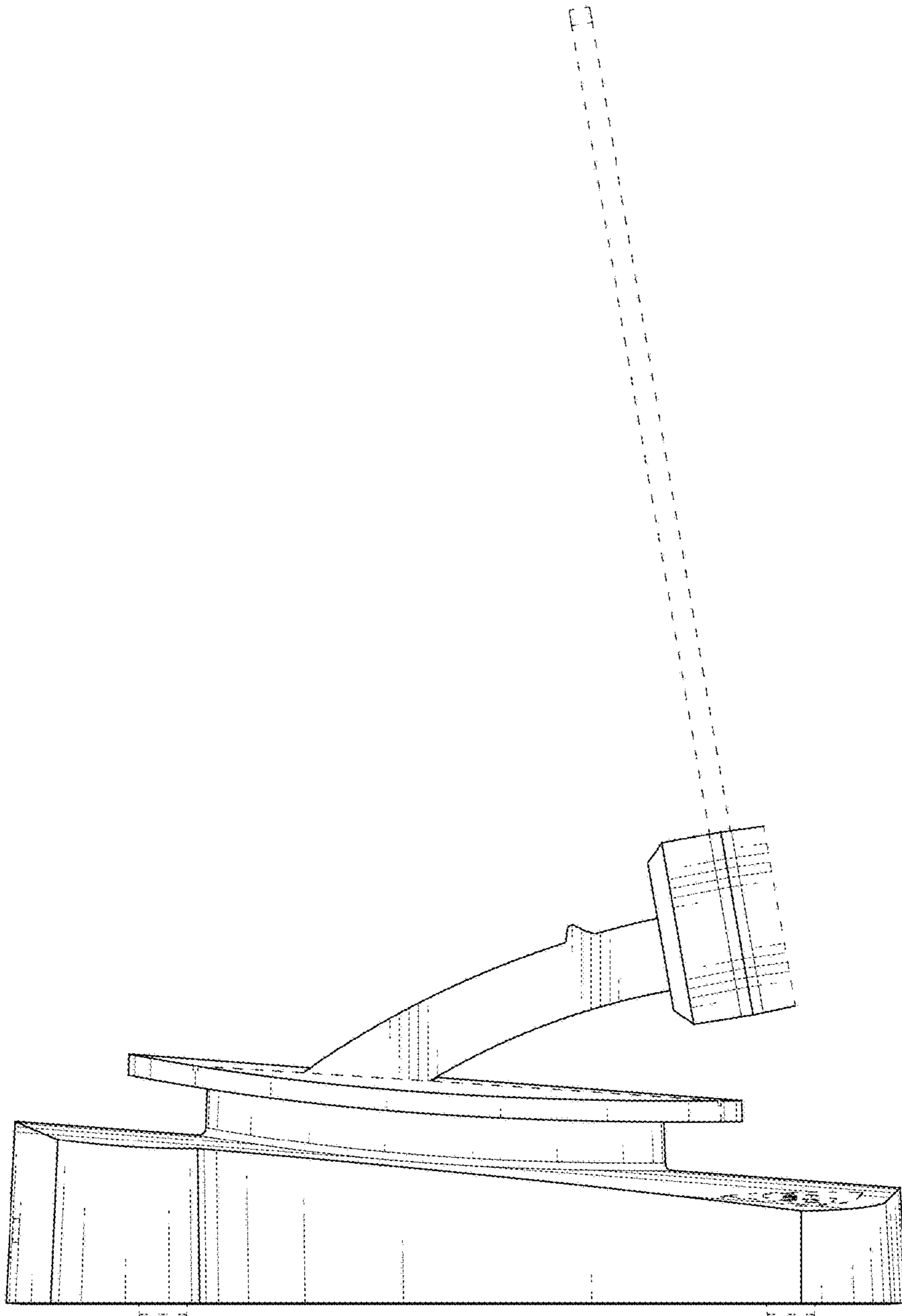


FIG. 6

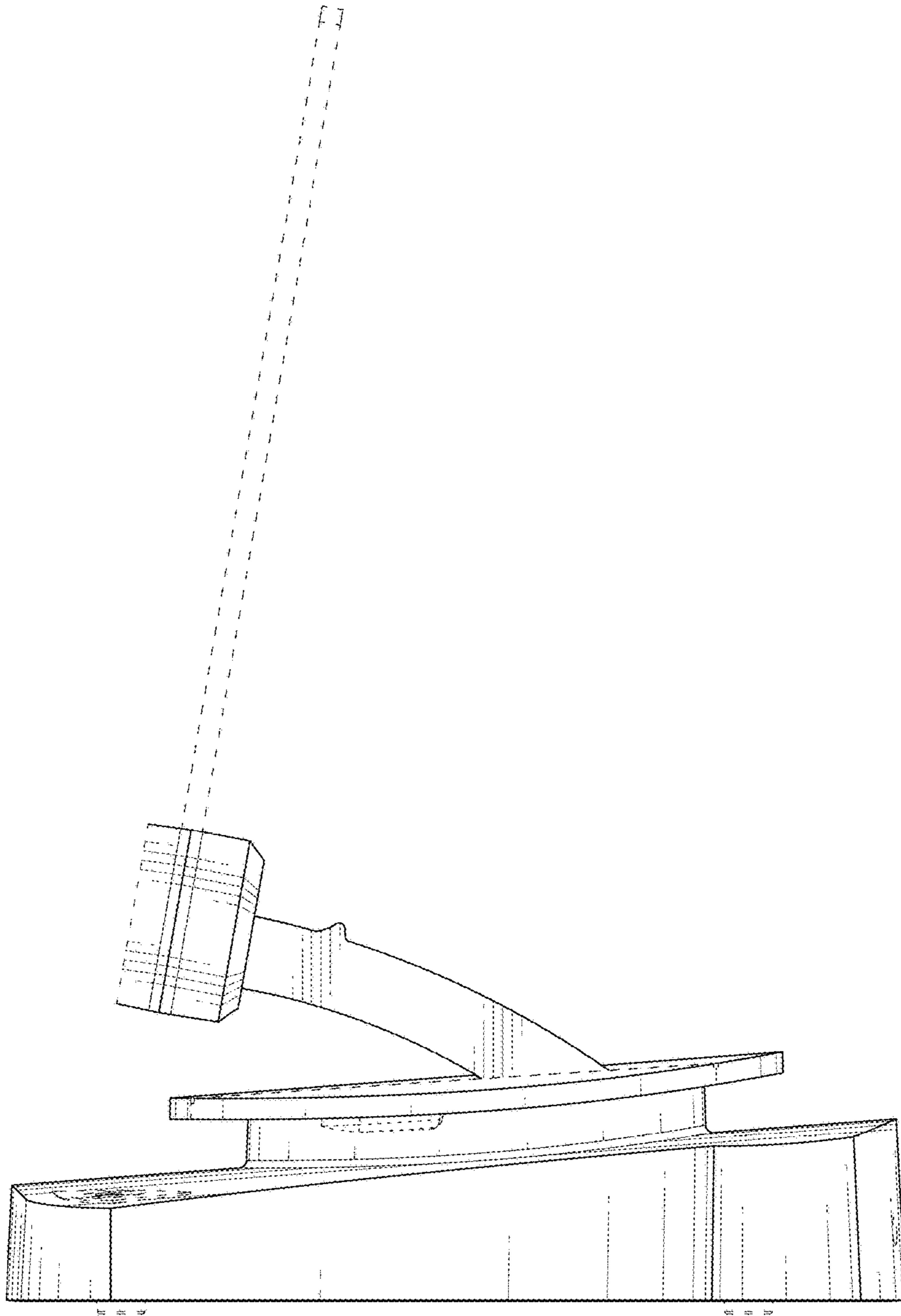


FIG. 7

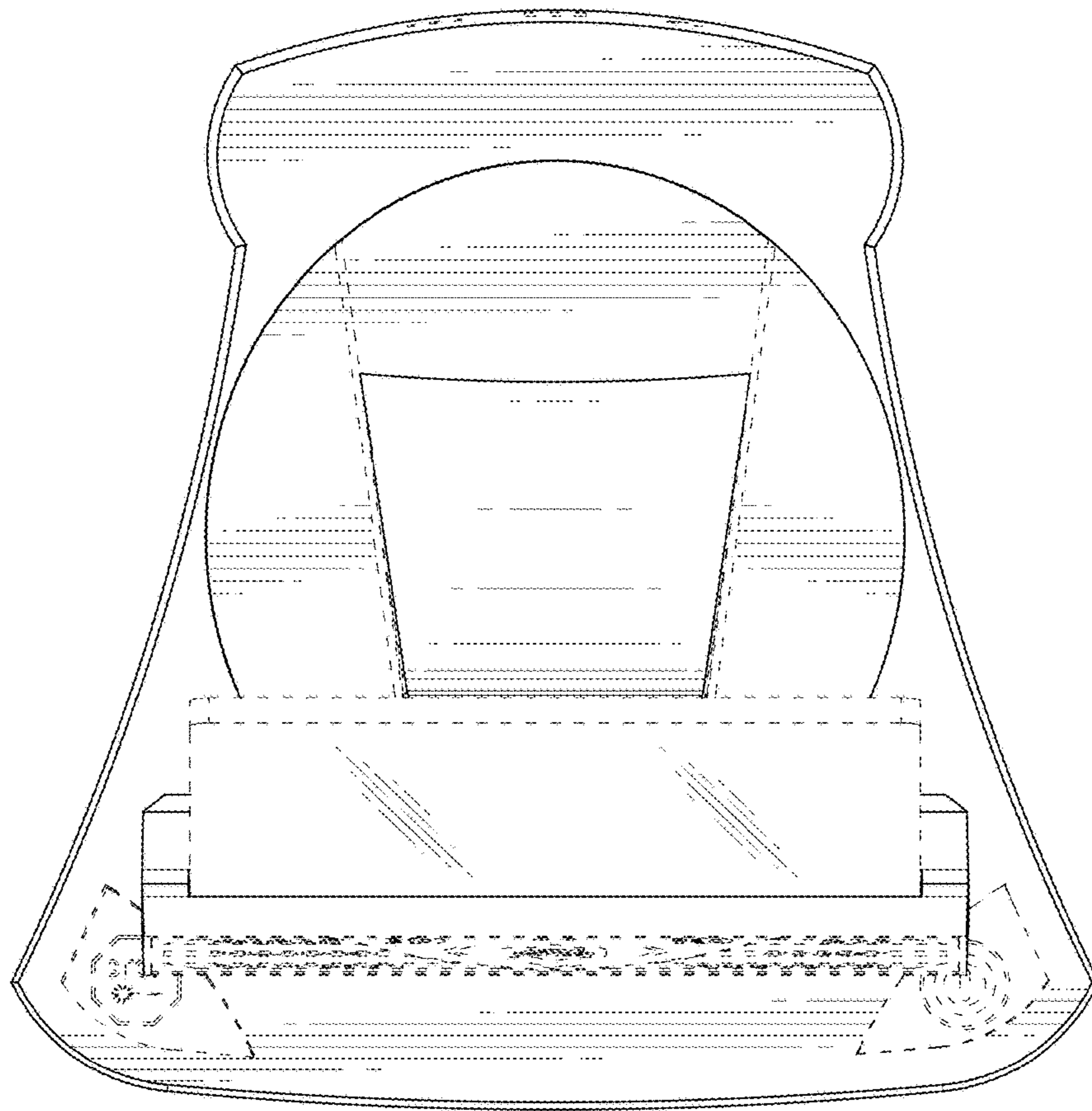


FIG. 8

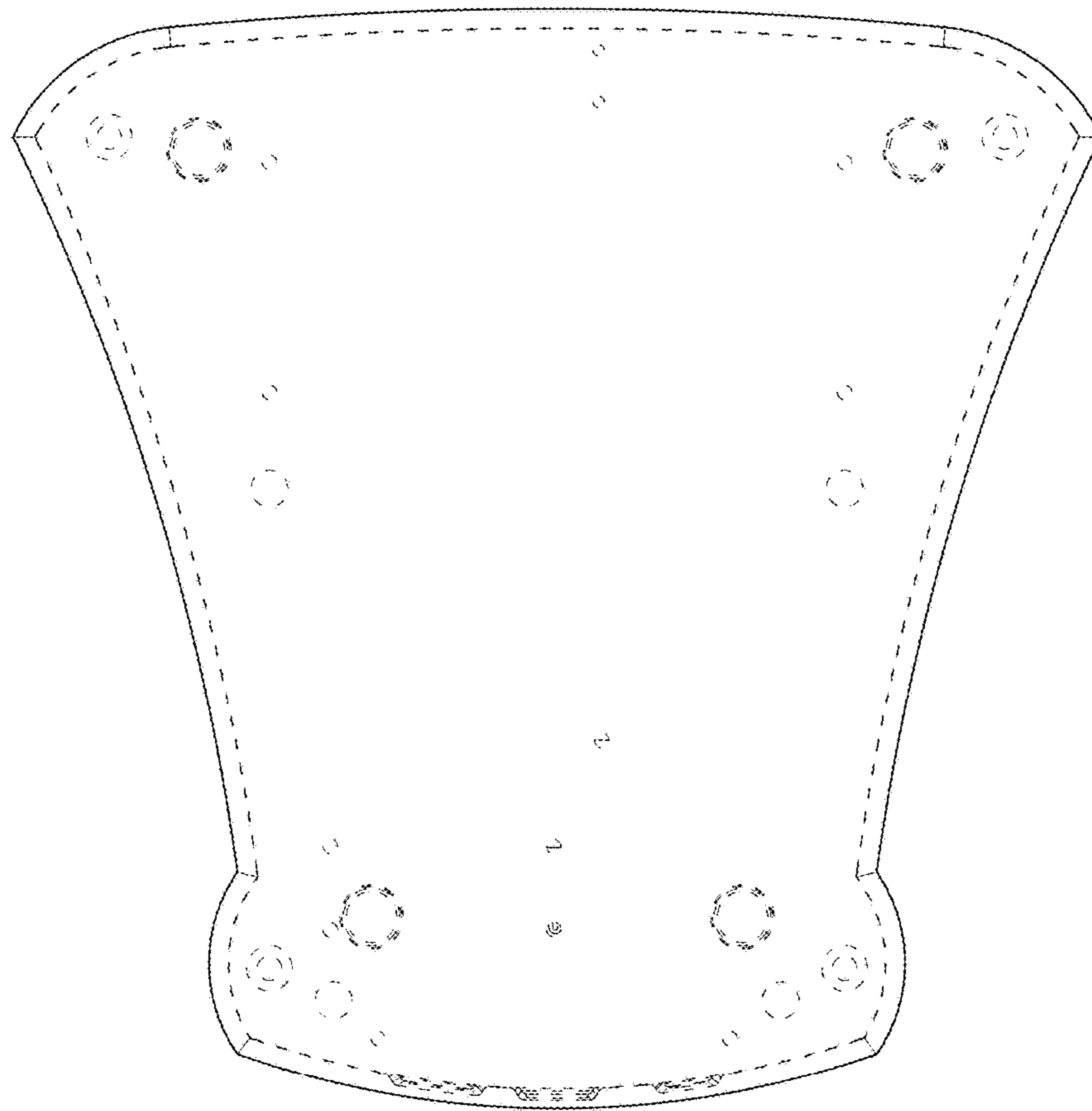


FIG. 9