



US00D842468S

(12) **United States Design Patent**
Juan

(10) **Patent No.:** **US D842,468 S**
(45) **Date of Patent:** **** Mar. 5, 2019**

(54) **TATTOO NEEDLE ASSEMBLY**

(71) Applicant: **Think Trading, Inc.**, Palm Beach Gardens, FL (US)

(72) Inventor: **Zhao Juan**, Xingning County, Hunan Province (CN)

(73) Assignee: **Painful Pleasures, Inc.**, Kansas City, MO (US)

(**) Term: **15 Years**

(21) Appl. No.: **29/575,799**

(22) Filed: **Aug. 29, 2016**

Related U.S. Application Data

(63) Continuation-in-part of application No. 14/922,760, filed on Oct. 26, 2015.

(51) **LOC (11) Cl.** **24-02**

(52) **U.S. Cl.**
USPC **D24/144**

(58) **Field of Classification Search**
USPC D24/144, 146-147, 133
(Continued)

(56) **References Cited**

U.S. PATENT DOCUMENTS

D380,046 S * 6/1997 Domanowski D24/144
6,033,421 A * 3/2000 Theiss A61M 37/0076
606/186

(Continued)

OTHER PUBLICATIONS

Mayday Tattoo Supply, "Needles: Tomahawk Cartridges—Round Shaders; Tomahawk Cartridges—Round Liners; Tomahawk Cartridges—Curved Magnums." Retrieved on Mar. 12, 2018. Retrieved from the Internet: <URL: www.google.com/images>.*

Primary Examiner — Wan Laymon

(74) *Attorney, Agent, or Firm* — Kutak Rock LLP; Sara Weilert Gillette

(57) **CLAIM**

The ornamental design for a tattoo needle assembly, as shown and described.

DESCRIPTION

FIG. 1 is a front perspective view of a tattoo needle assembly of the instant invention.

FIG. 2 is a front view of a tattoo needle assembly of the instant invention.

FIG. 3 is a rear view of the tattoo needle assembly of FIGS. 1 and 2.

FIG. 4 is a side view of the tattoo needle assembly of FIGS. 1 and 2.

FIG. 5 is the opposite side view of the tattoo needle assembly of FIG. 4.

FIG. 6 is a top plan view of the tattoo needle assembly of FIGS. 1 and 2.

FIG. 7 is a bottom plan view of the tattoo needle assembly of FIGS. 1 and 2.

FIG. 8 is a front perspective view of a tattoo needle assembly of the instant invention.

FIG. 9 is a front view of a tattoo needle assembly of the tattoo needle assembly of FIG. 8.

FIG. 10 is a rear view of the tattoo needle assembly of FIG. 8.

FIG. 11 is a side view of the tattoo needle assembly of FIG. 8.

FIG. 12 is the opposite side view of the tattoo needle assembly of FIG. 11.

FIG. 13 is a top plan view of the tattoo needle assembly of FIG. 8.

FIG. 14 is a bottom plan view of the tattoo needle assembly of FIG. 8.

FIG. 15 is a front perspective view of a tattoo needle assembly of the instant invention.

FIG. 16 is a front view of a tattoo needle assembly of the tattoo needle assembly of FIG. 15.

FIG. 17 is a rear view of the tattoo needle assembly of FIG. 15.

(Continued)

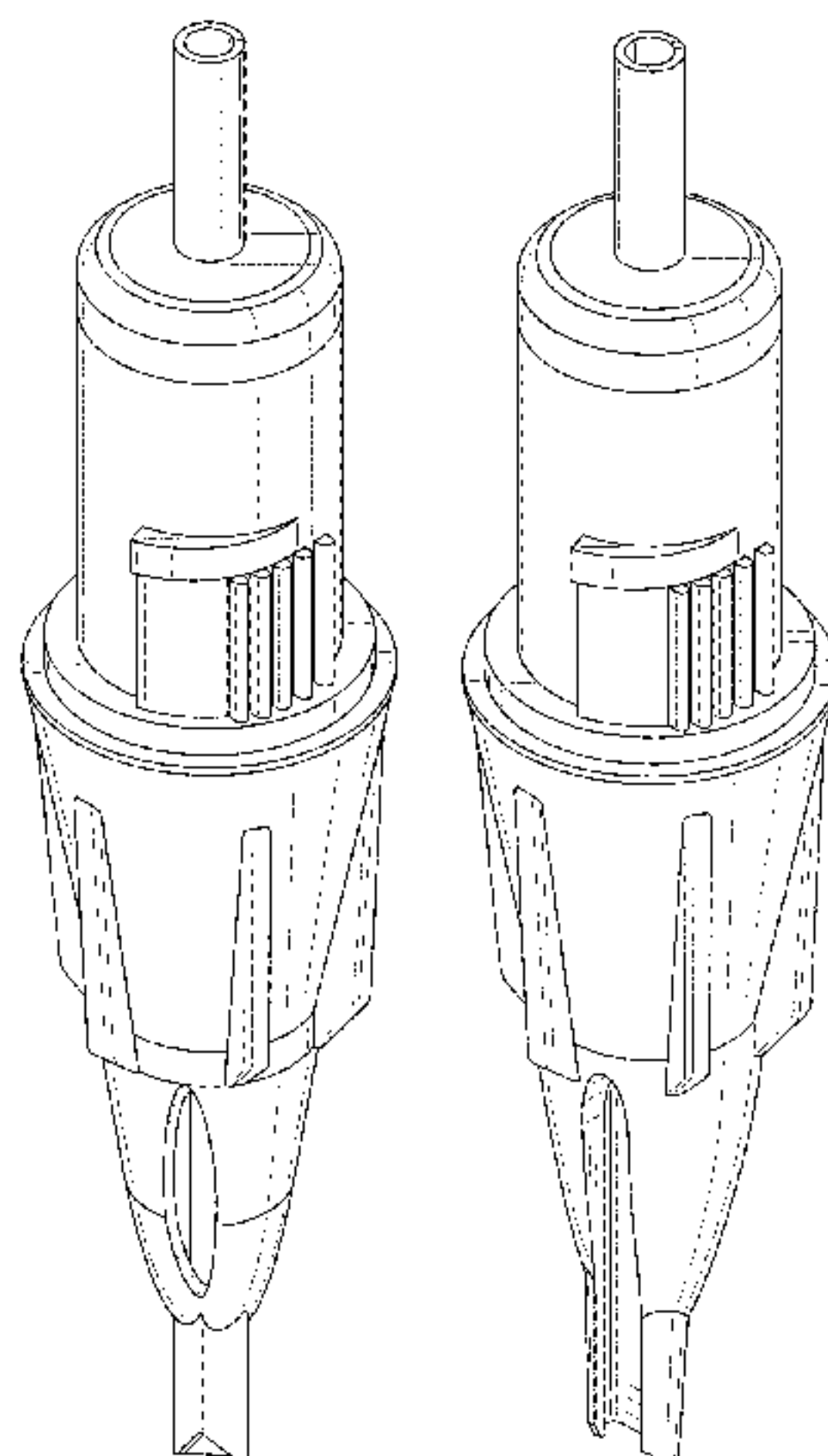


FIG. 18 is a side view of the tattoo needle assembly of FIG. 15.

FIG. 19 is the opposite side view of the tattoo needle assembly of FIG. 18.

FIG. 20 is a top plan view of the tattoo needle assembly of FIG. 15; and,

FIG. 21 is a bottom plan view of the tattoo needle assembly of FIG. 15.

1 Claim, 12 Drawing Sheets

(58) **Field of Classification Search**

CPC A61M 37/0076; A61M 37/0084; A61M 37/0092; A61M 37/00; A61M 5/46; A61M 5/48; A61M 2207/00; A61M 2207/10

See application file for complete search history.

(56)

References Cited

U.S. PATENT DOCUMENTS

8,522,647	B1 *	9/2013	Dixon	A61M 37/0076 30/362
D723,685	S *	3/2015	Myers	A61M 37/0076 D24/144
2010/0206138	A1 *	8/2010	Clark	A61M 37/0076 81/9.22
2013/0226211	A1 *	8/2013	Xiao	A61M 37/0084 606/186
2015/0367118	A1 *	12/2015	Scherkowski	A61M 37/0076 606/186
2016/0184573	A1 *	6/2016	Brookshire	A61M 37/0084 606/186
2017/0072177	A1 *	3/2017	Oscar	A61M 37/0084
2017/0072178	A1 *	3/2017	Xiao	A61M 37/0084

* cited by examiner

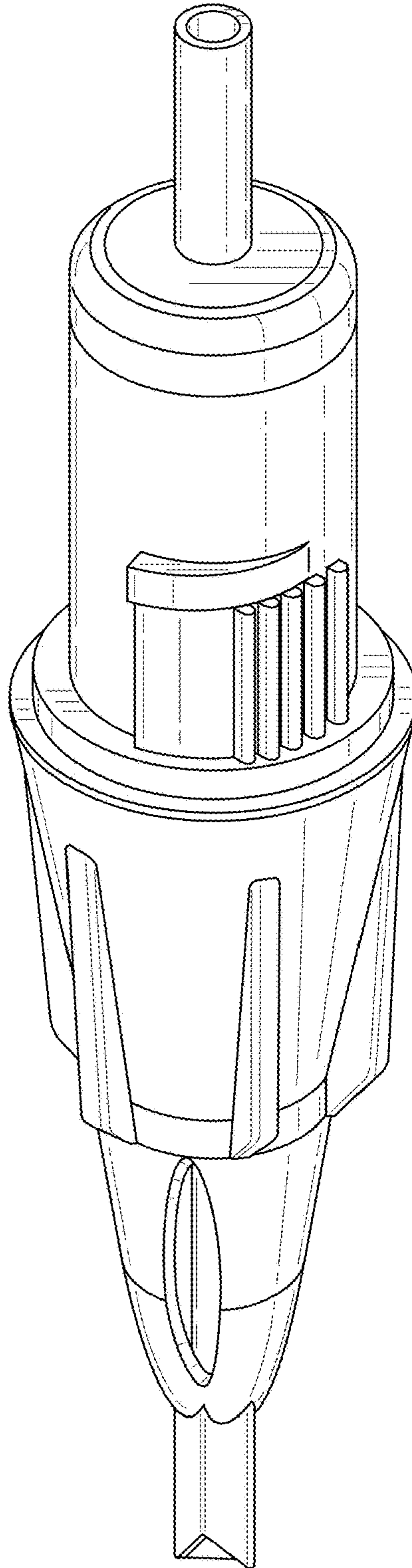


FIG. 1

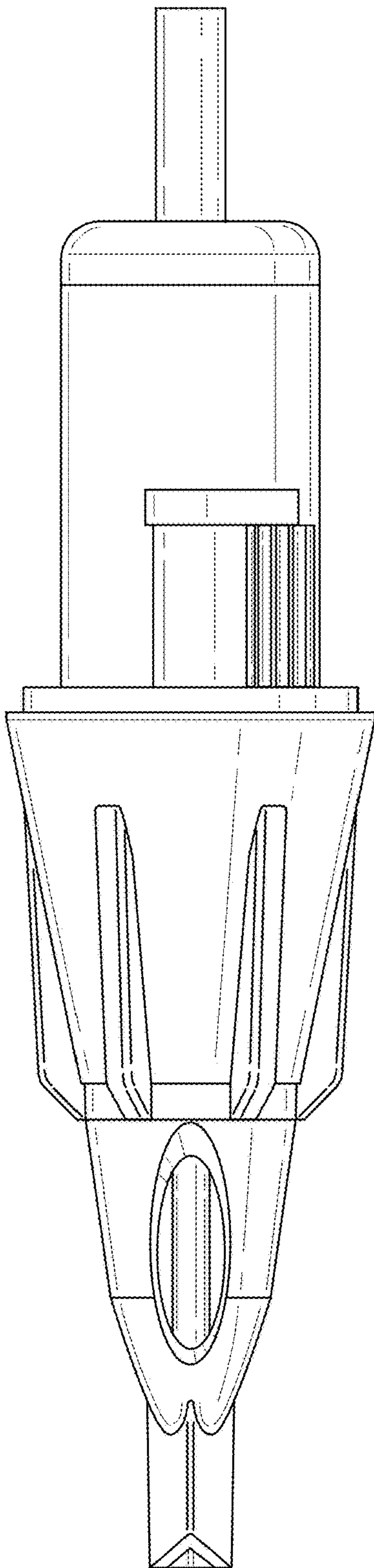


FIG. 2

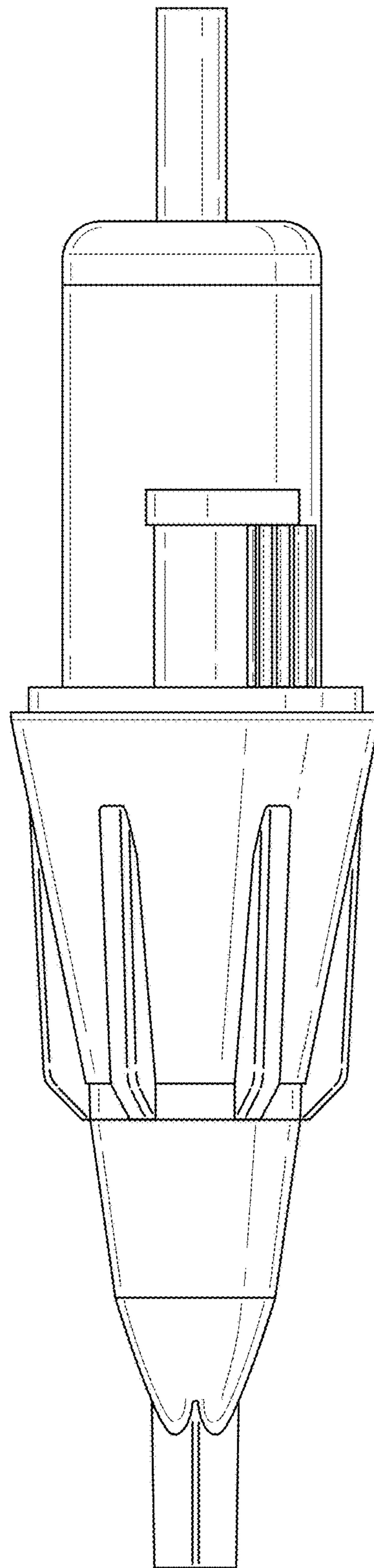


FIG. 3

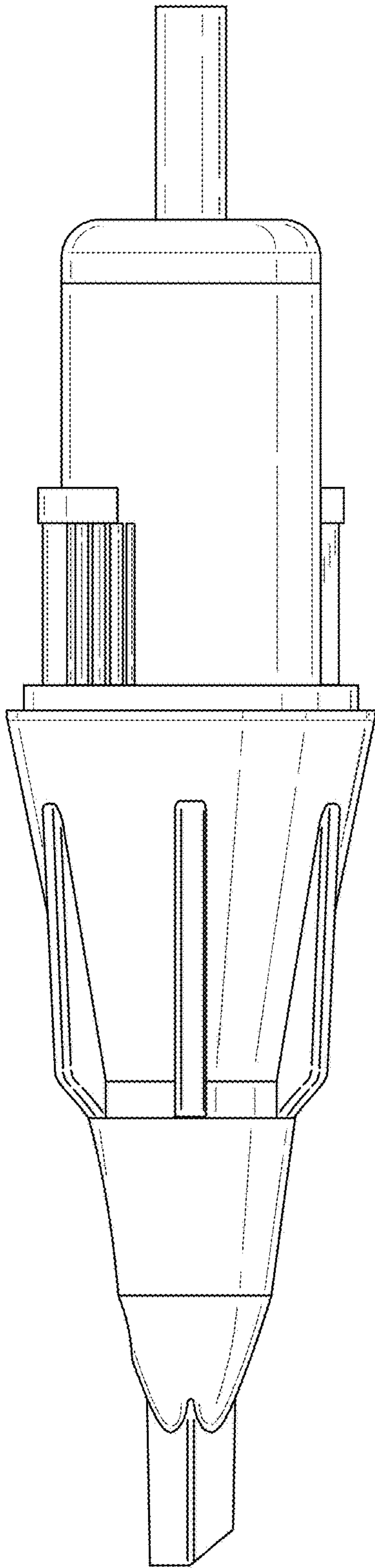


FIG. 4

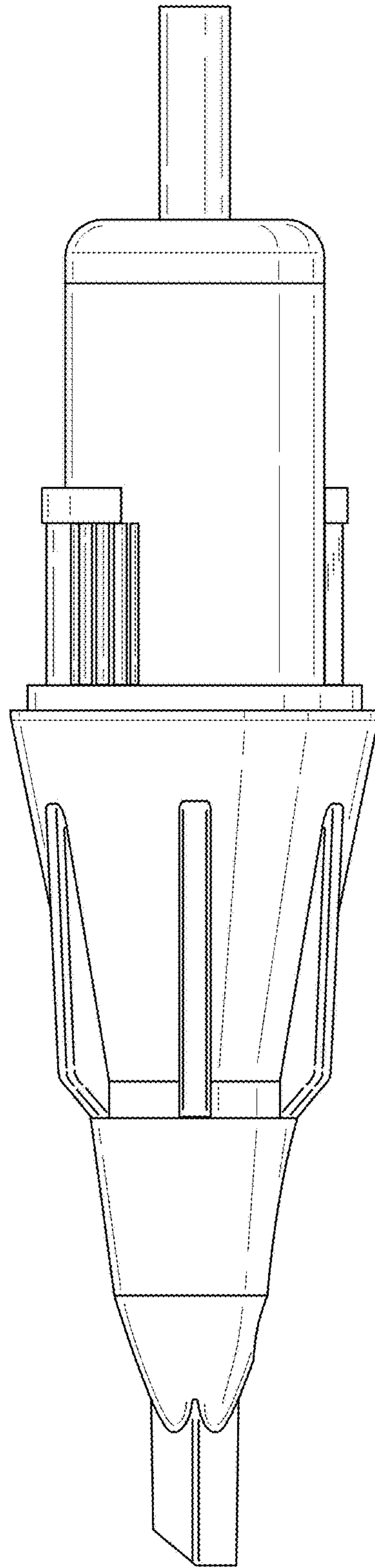


FIG. 5

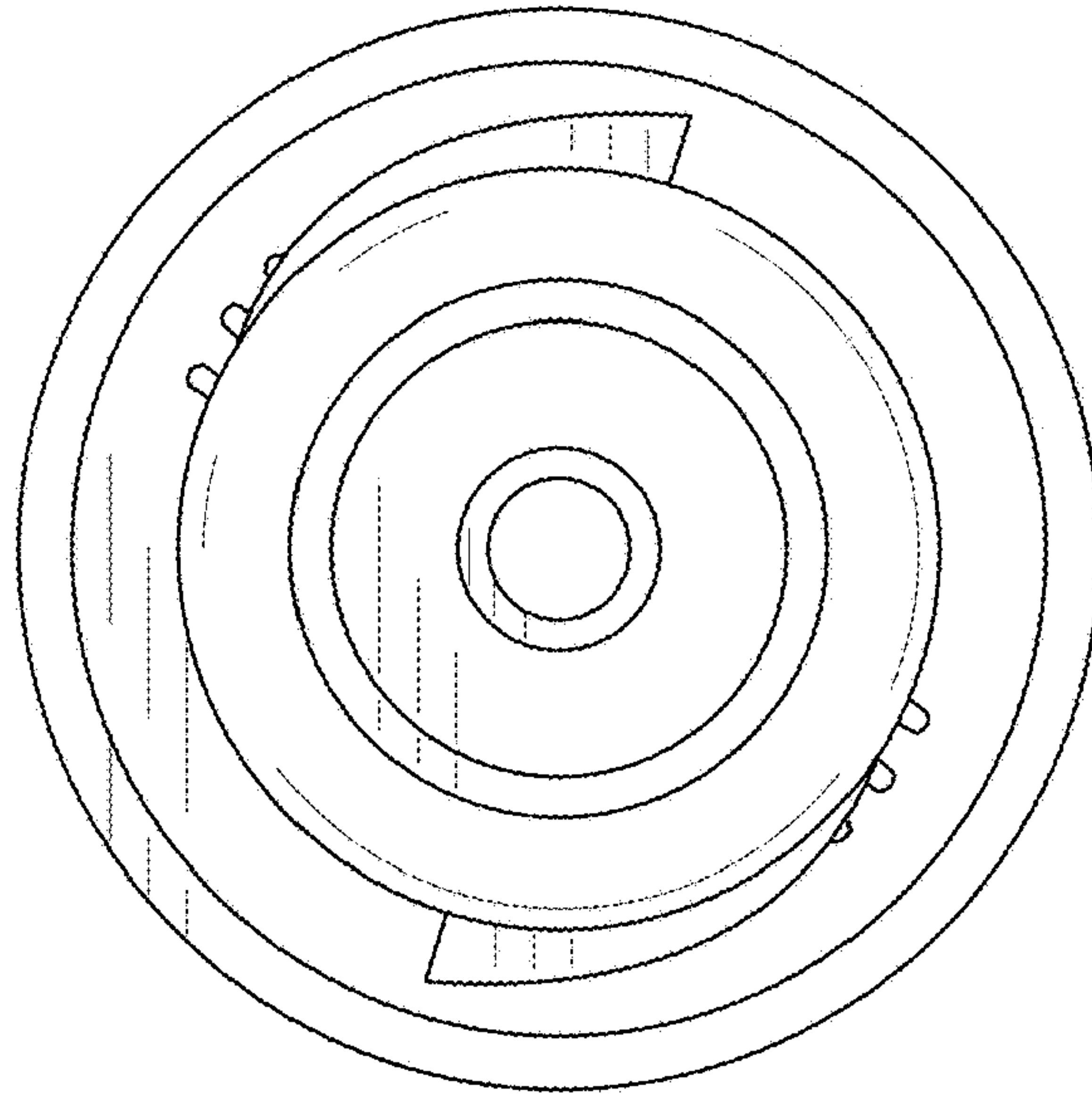


FIG. 6

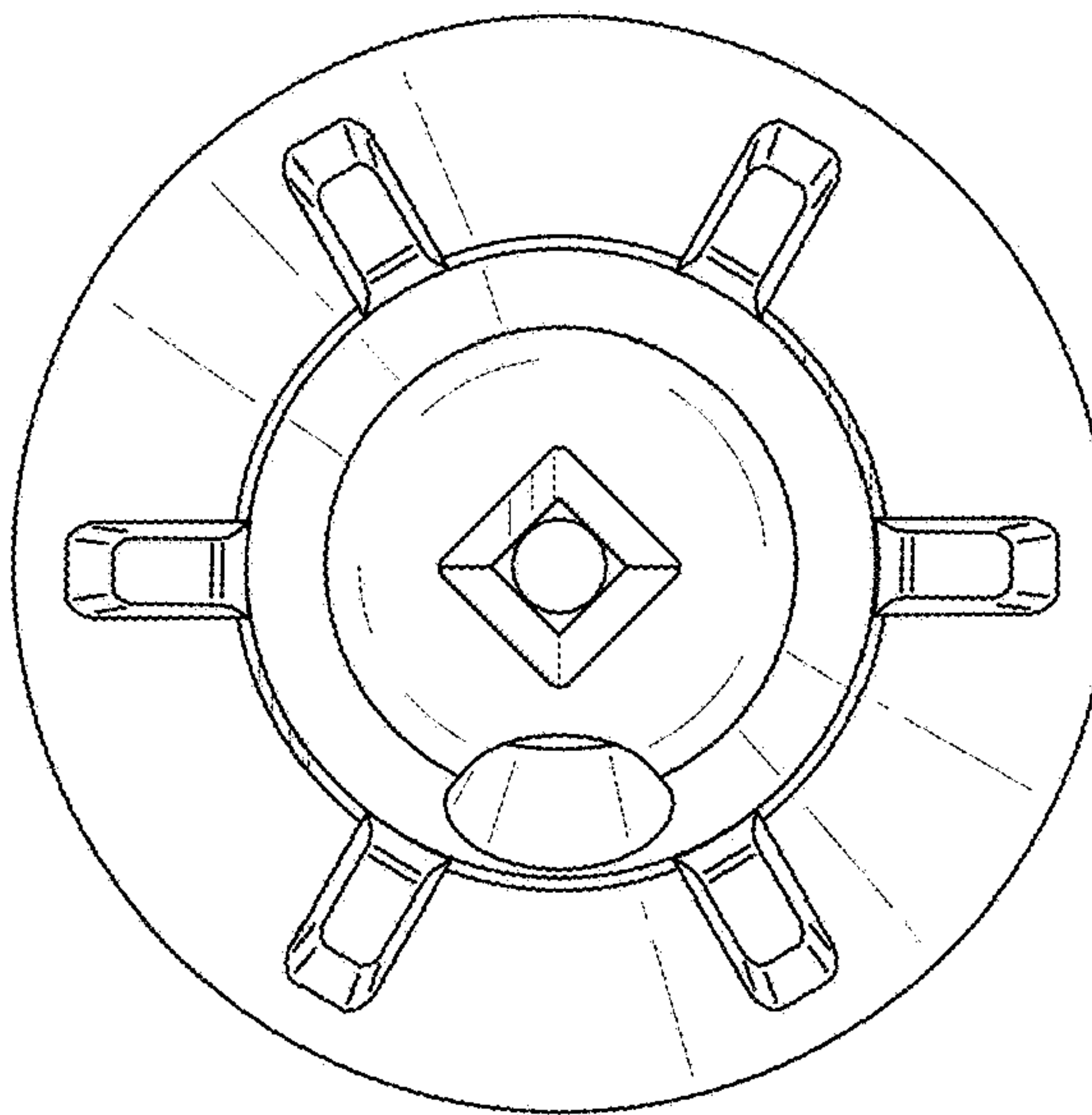


FIG. 7

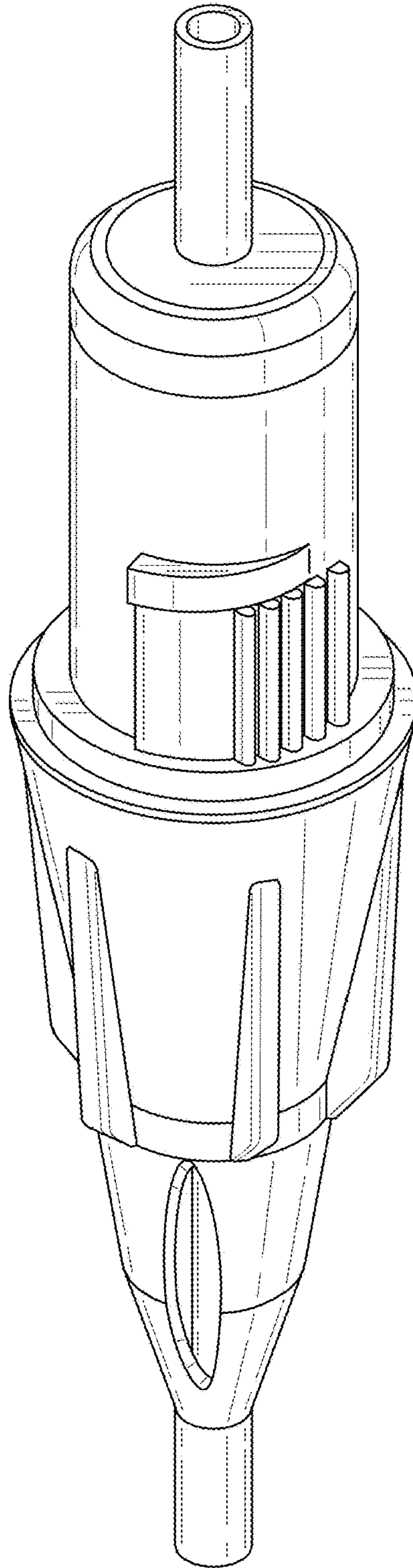


FIG. 8

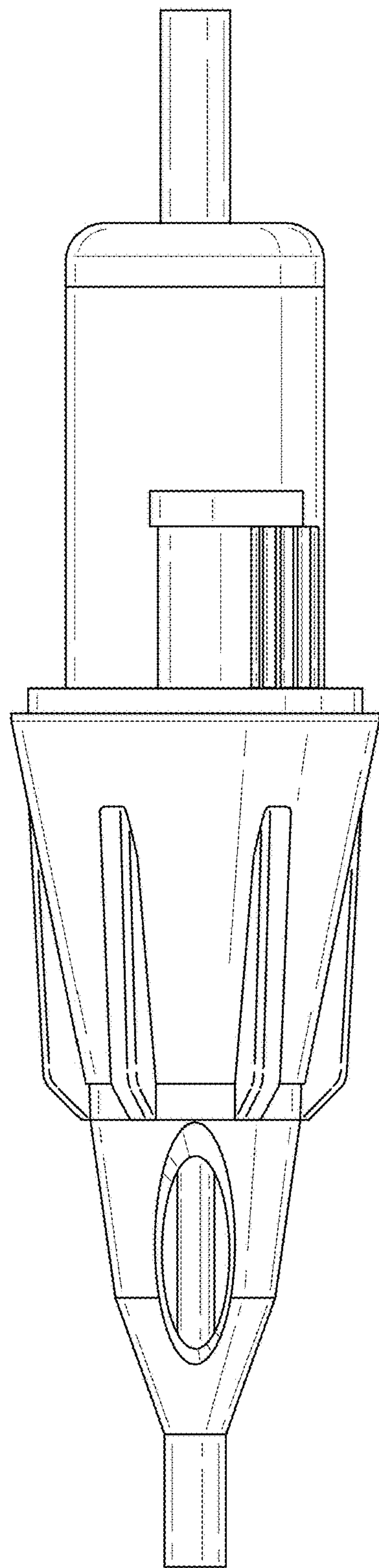


FIG. 9

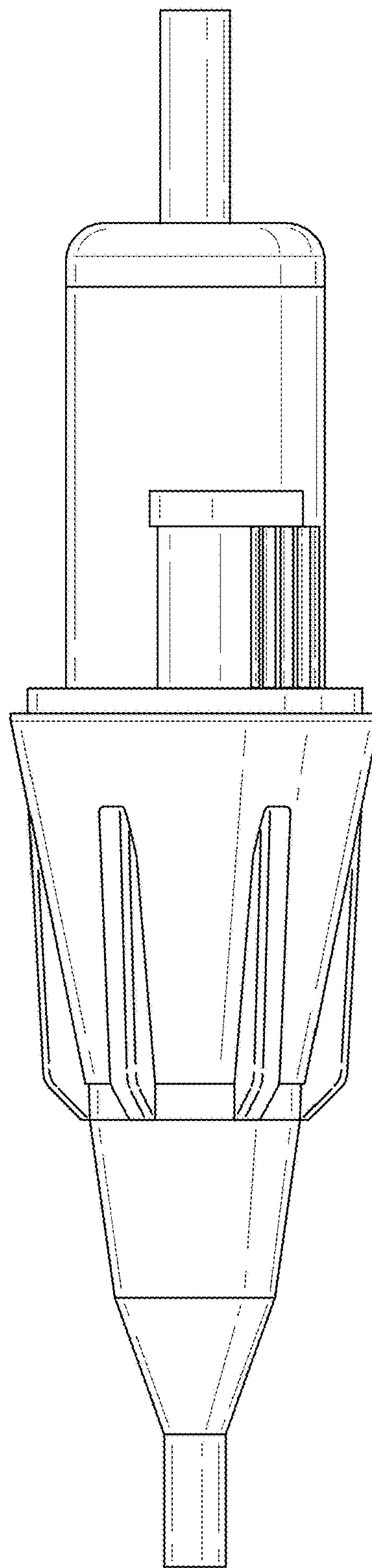


FIG. 10

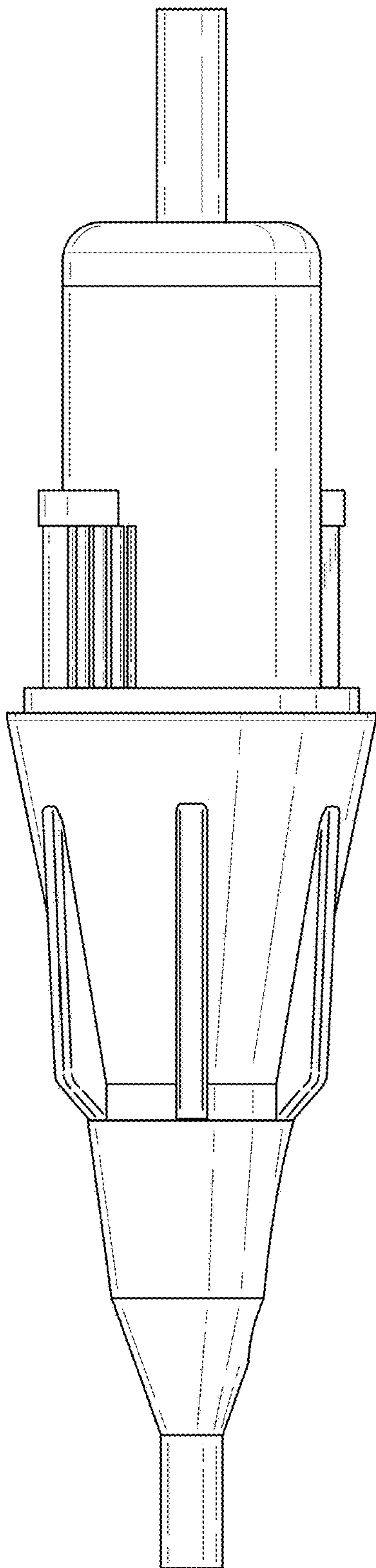


FIG. 11

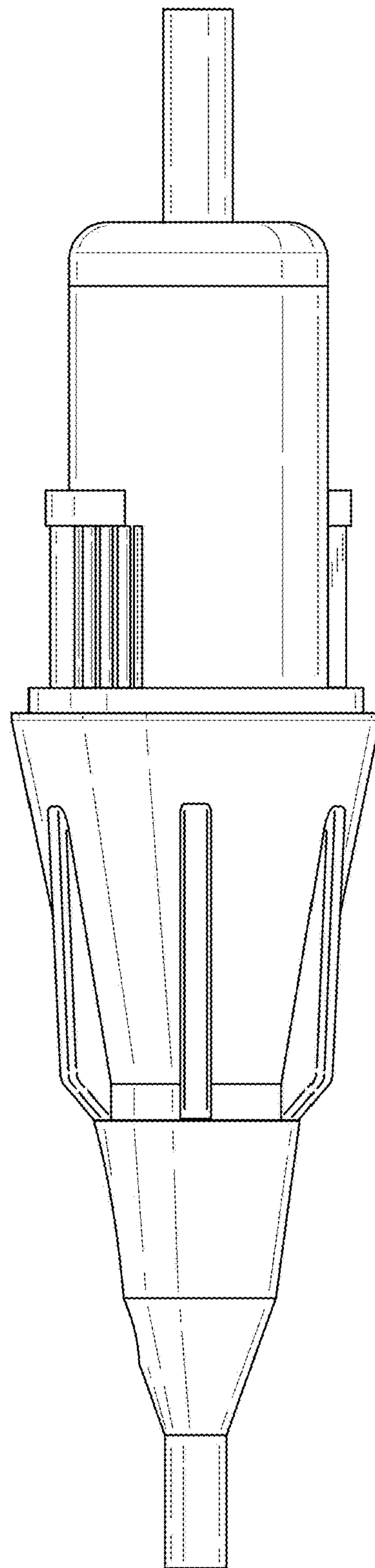


FIG. 12

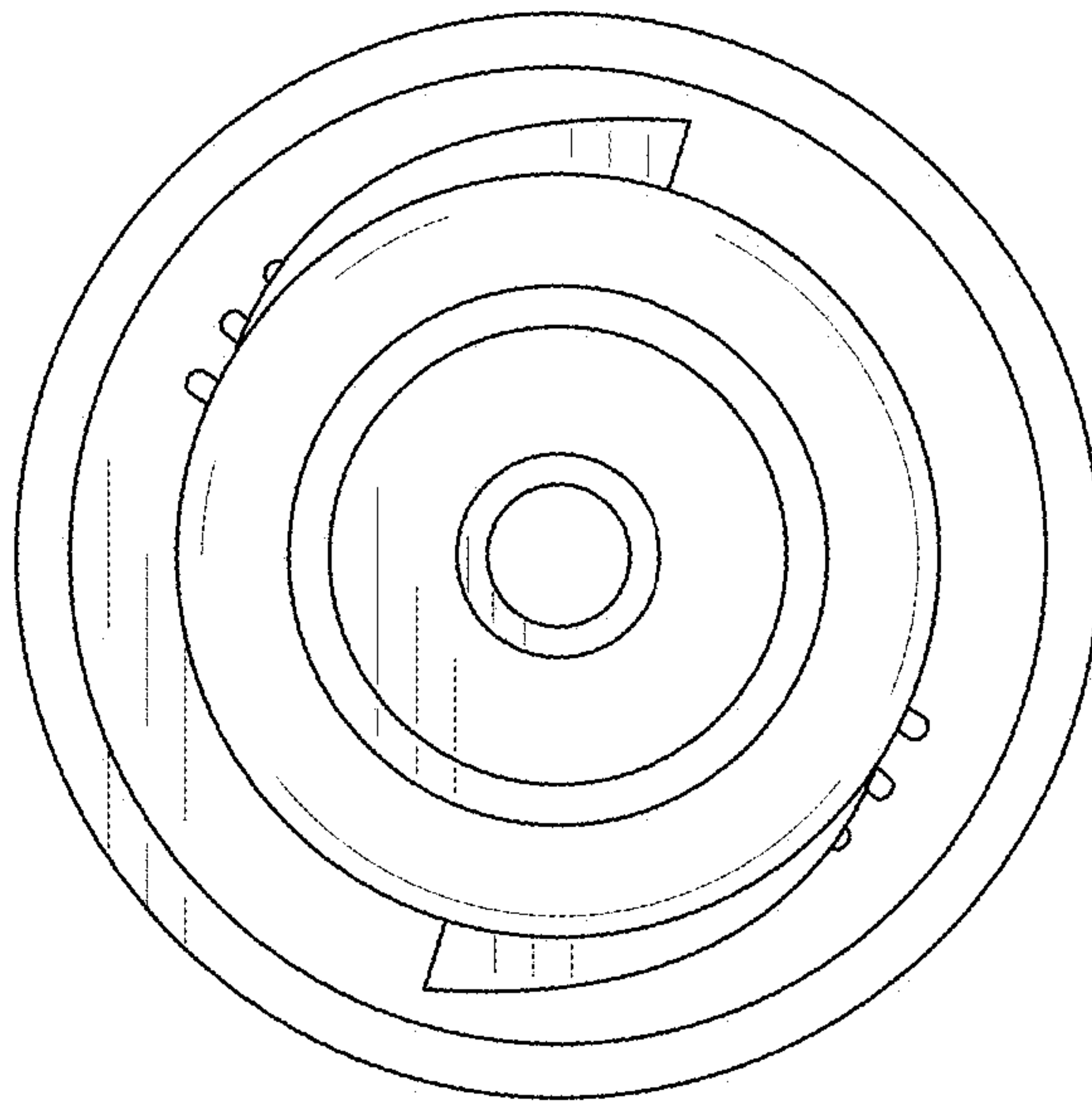


FIG. 13

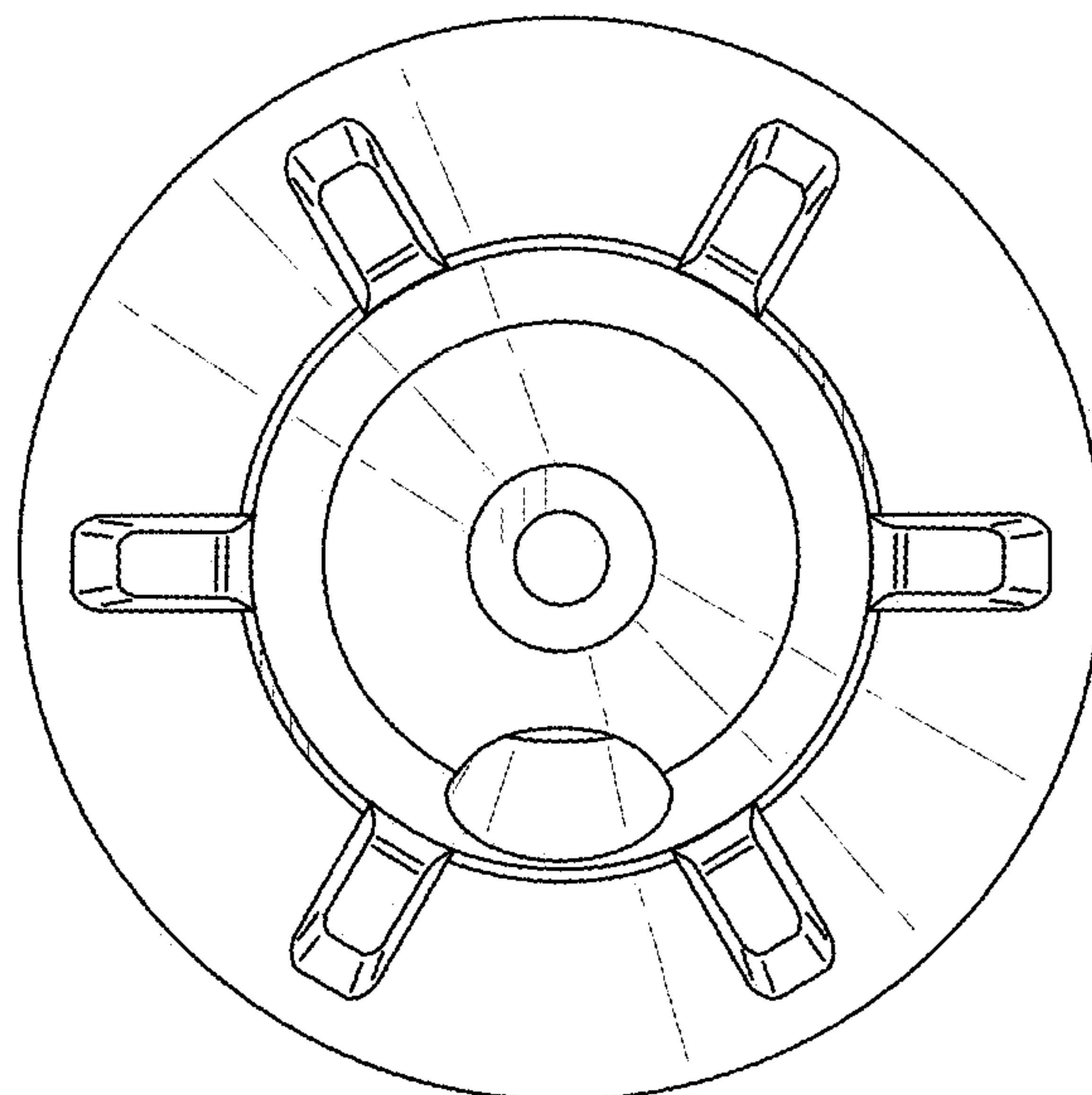


FIG. 14

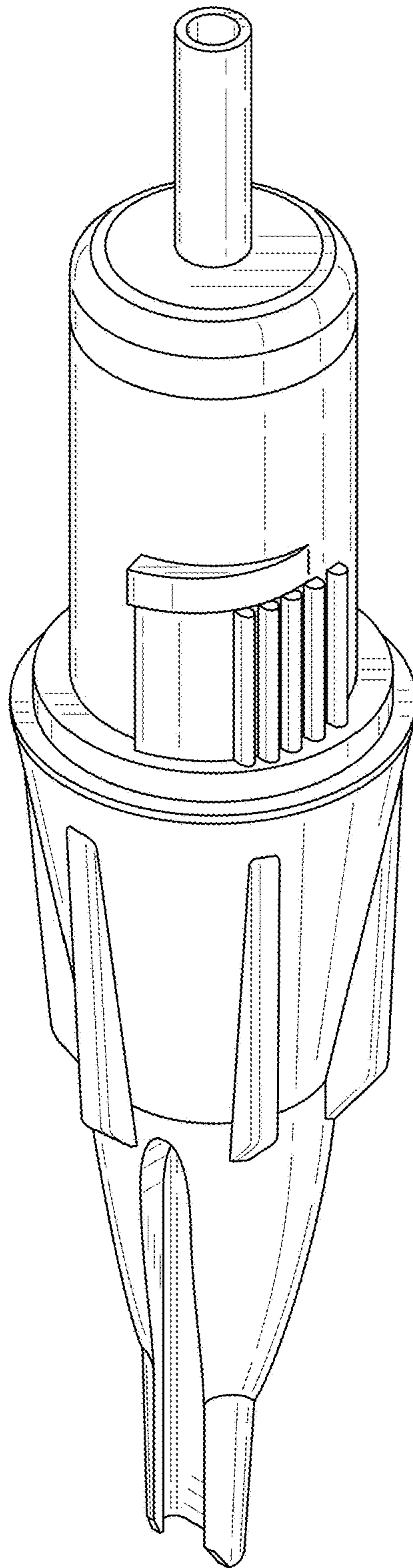


FIG. 15

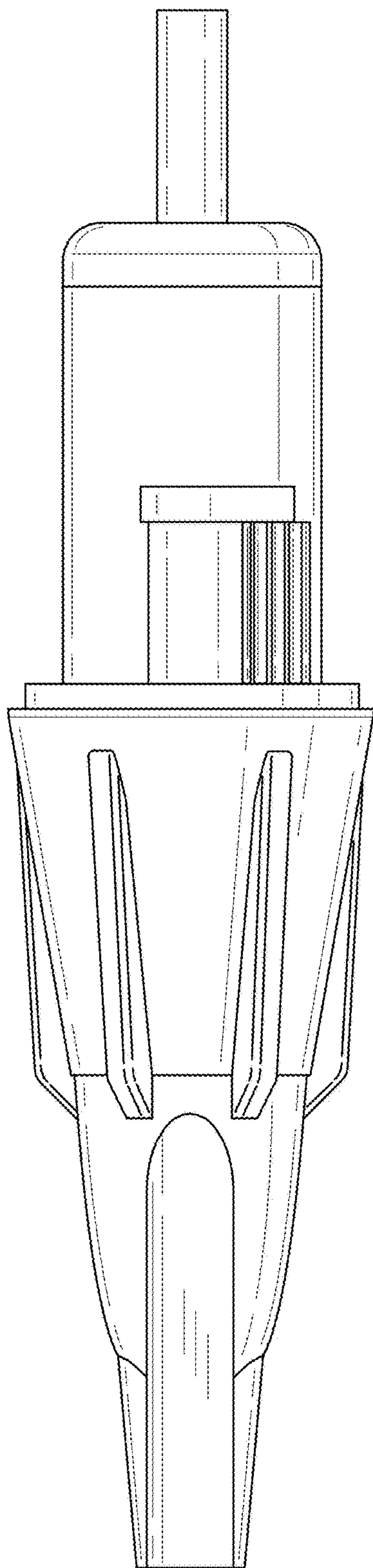


FIG. 16

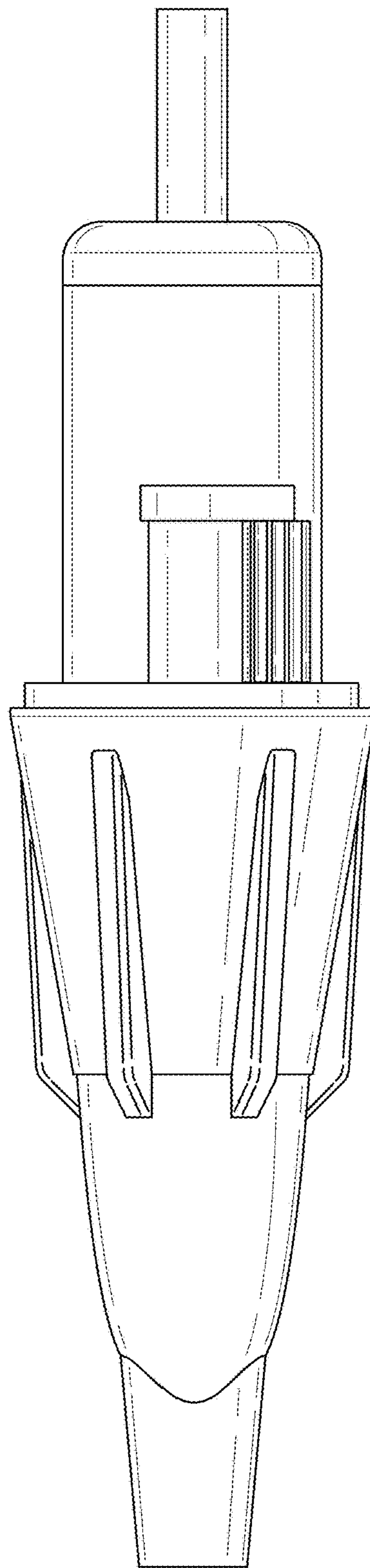


FIG. 17

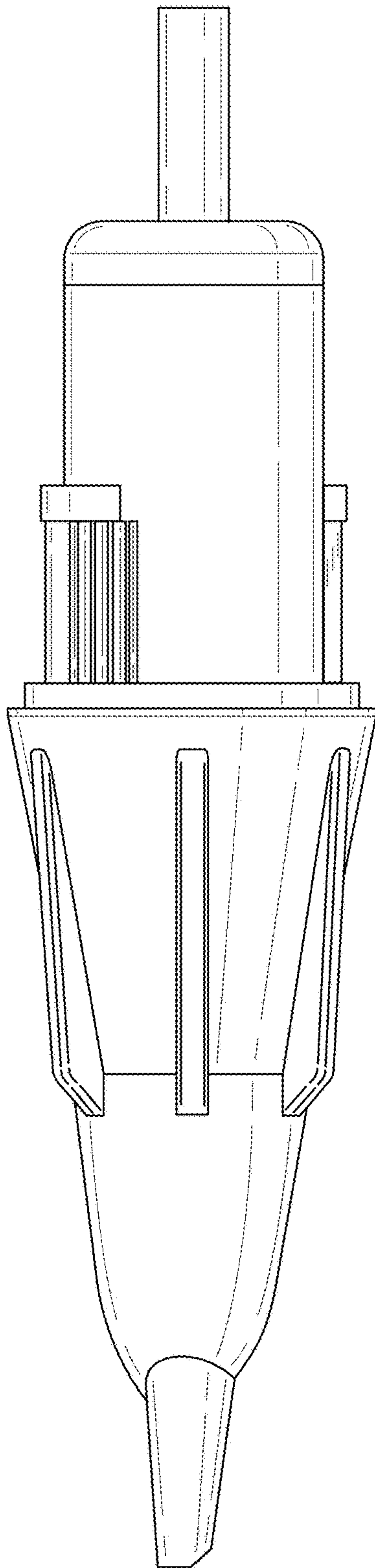


FIG. 18

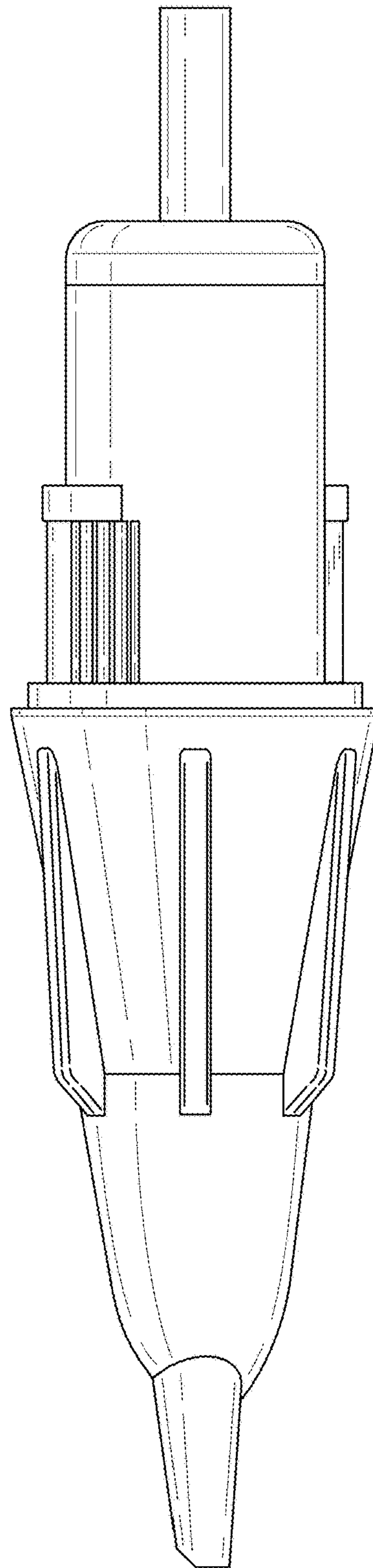


FIG. 19

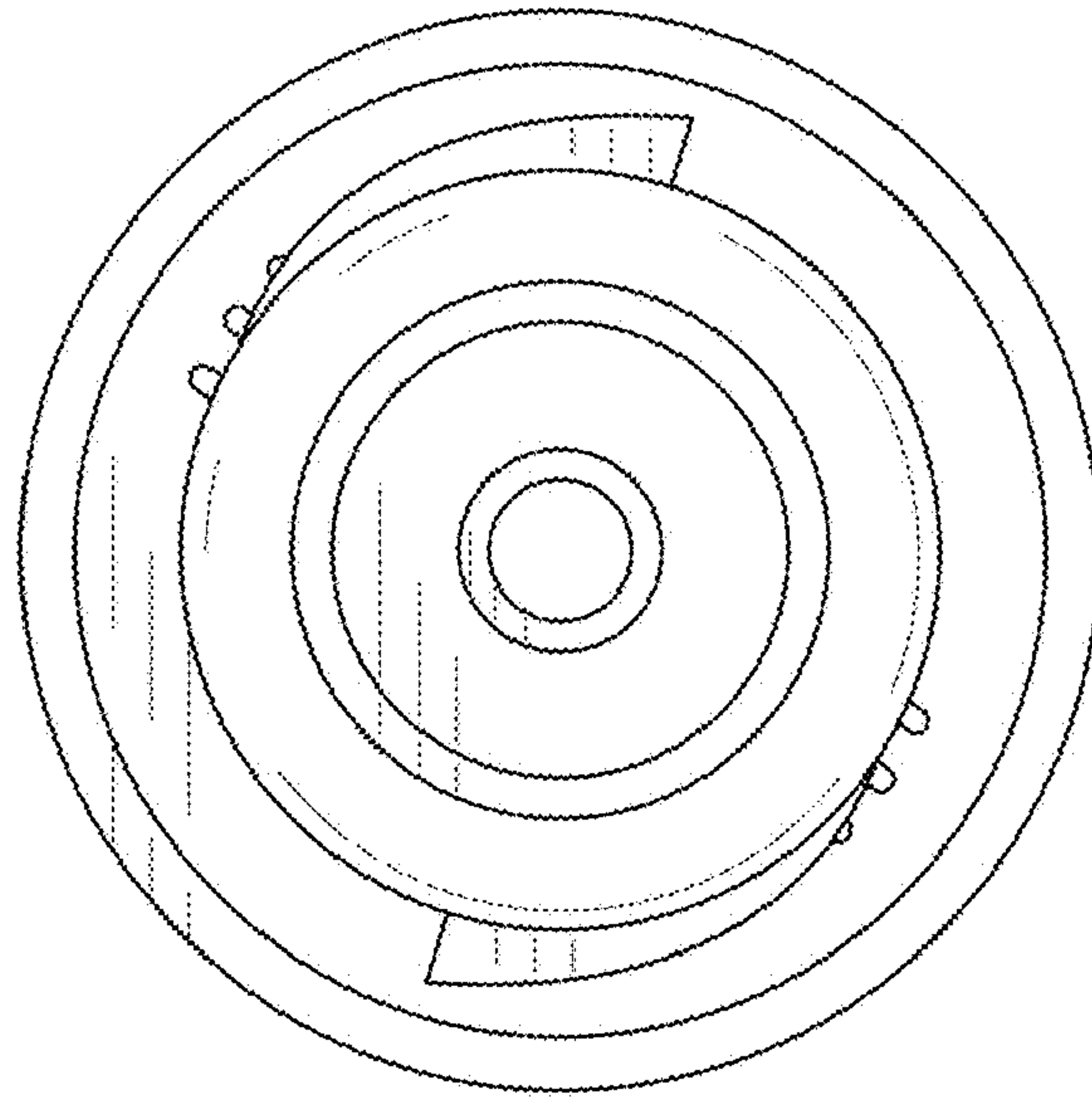


FIG. 20

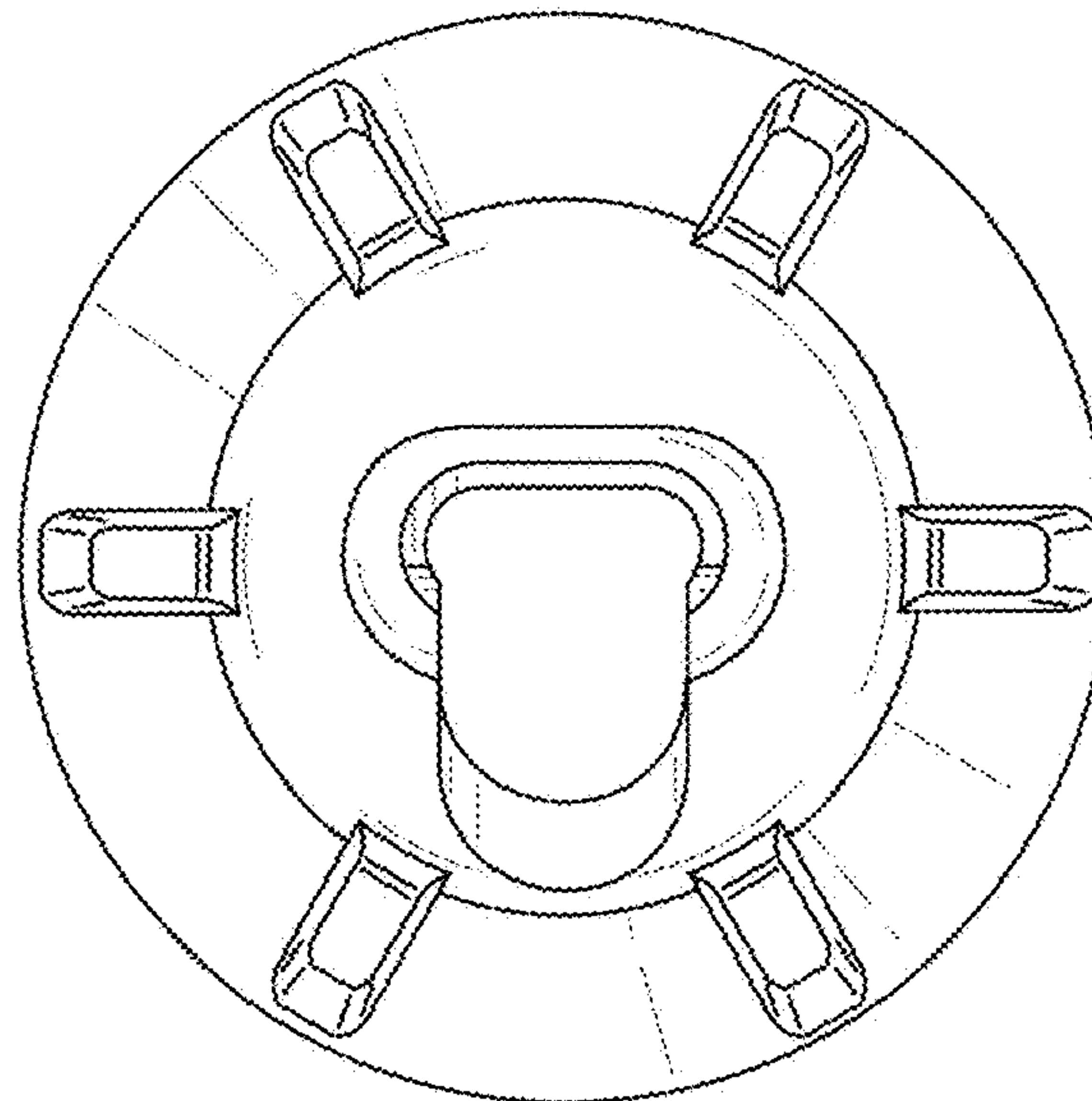


FIG. 21