



US00D842465S

(12) **United States Design Patent** (10) **Patent No.:** **US D842,465 S**  
**Osada** (45) **Date of Patent:** **\*\* Mar. 5, 2019**

(54) **ENDOSCOPE OPERATING UNIT**  
(71) Applicant: **OLYMPUS CORPORATION**, Tokyo (JP)  
(72) Inventor: **Reisuke Osada**, Tokyo (JP)  
(73) Assignee: **OLYMPUS CORPORATION**, Tokyo (JP)  
(\*\*) Term: **15 Years**  
(21) Appl. No.: **29/640,518**  
(22) Filed: **Mar. 15, 2018**

D718,446 S \* 11/2014 Yoshida ..... D24/138  
D753,298 S \* 4/2016 Hayamizu ..... D24/138  
D753,823 S \* 4/2016 Hayamizu ..... D24/138  
D768,854 S \* 10/2016 Halleck ..... D24/138  
D771,253 S \* 11/2016 Osada ..... D24/138  
D773,661 S \* 12/2016 Funakoshi ..... D24/138  
D785,174 S \* 4/2017 Osada ..... D16/219  
D787,055 S \* 5/2017 Ingman ..... D24/133  
D797,743 S \* 9/2017 Awad ..... D14/412  
D814,370 S \* 4/2018 Kim ..... D12/174  
2007/0230075 A1\* 10/2007 Murata ..... G02B 23/2492  
361/58  
2016/0242629 A1\* 8/2016 Hijihara ..... A61B 1/0052

\* cited by examiner

*Primary Examiner* — Ian Simmons  
*Assistant Examiner* — Yolanda Robinson  
(74) *Attorney, Agent, or Firm* — Scully, Scott, Murphy & Presser, P.C.

**Related U.S. Application Data**

(62) Division of application No. 29/558,485, filed on Mar. 18, 2016.  
(51) **LOC (11) Cl.** ..... **24-02**  
(52) **U.S. Cl.**  
USPC ..... **D24/138**  
(58) **Field of Classification Search**  
USPC ..... D24/108, 117, 118, 200, 201, 222, 324,  
D24/325, 331; D23/223–226; D21/325,  
D21/329, 331; D14/114, 401; D13/162;  
600/145, 146, 147, 131  
CPC ..... A61B 1/00; A61B 1/267; A61B 1/0684;  
A61B 1/00039  
See application file for complete search history.

(57) **CLAIM**

The ornamental design for an endoscope operating unit, as shown and described.

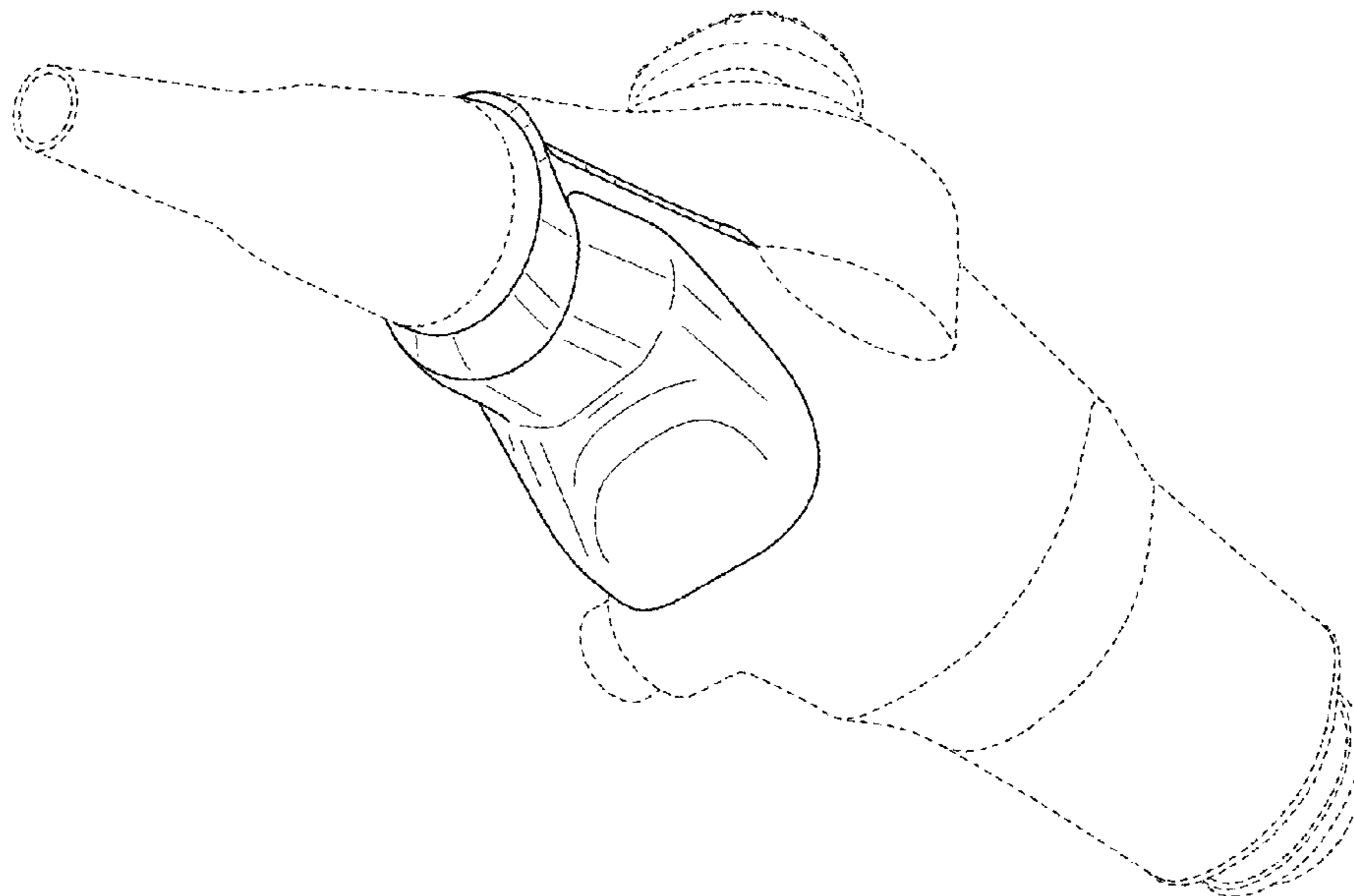
**DESCRIPTION**

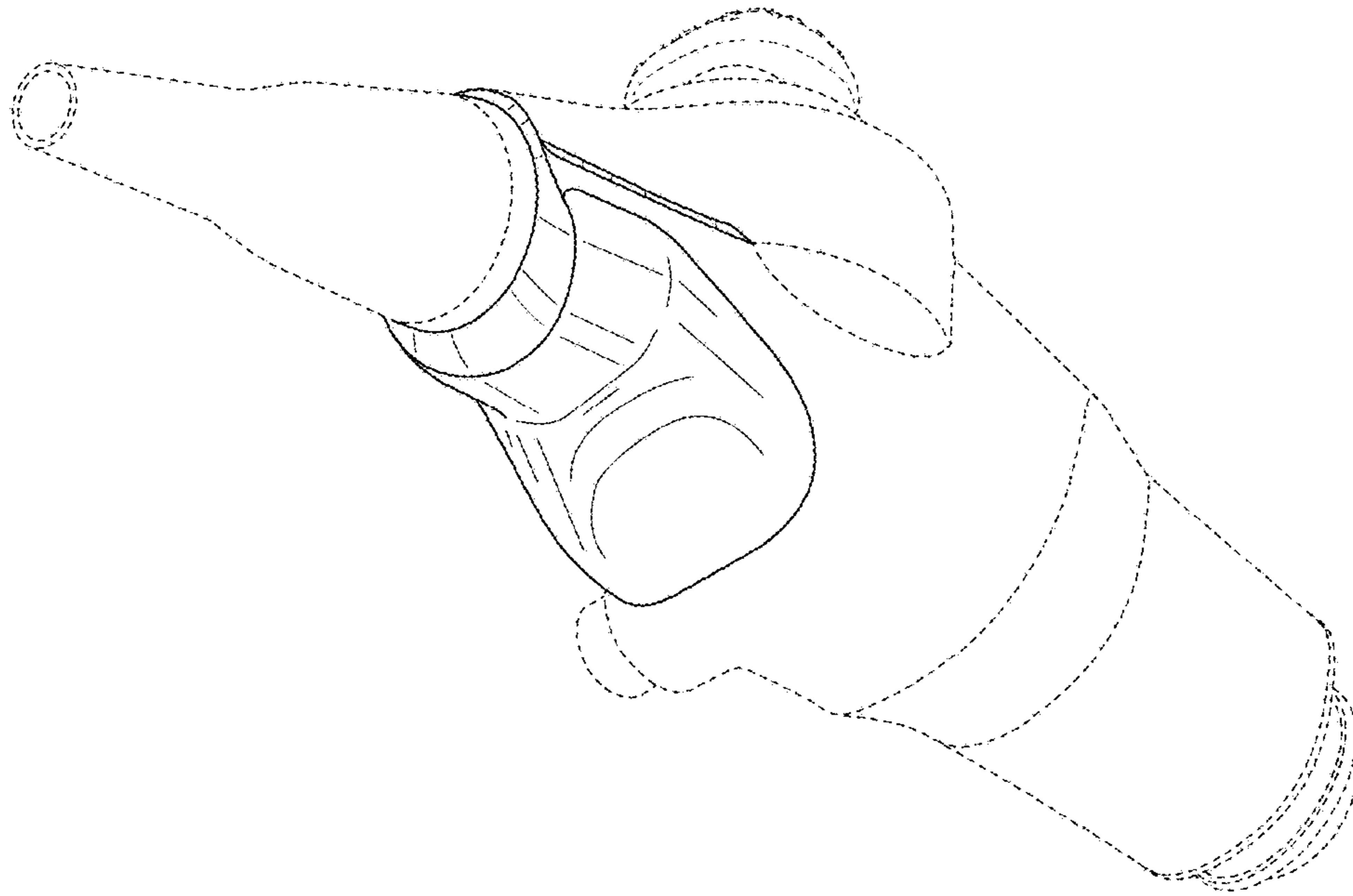
FIG. 1 is a perspective view of the endoscope operating unit, showing my new design;  
FIG. 2 is a front view thereof;  
FIG. 3 is a rear view thereof;  
FIG. 4 is a top view thereof;  
FIG. 5 is a bottom view thereof;  
FIG. 6 is a left side view thereof; and,  
FIG. 7 is a right side view thereof.  
The broken lines show portions of the endoscope operating unit that form no part of the claimed design.

(56) **References Cited**  
U.S. PATENT DOCUMENTS

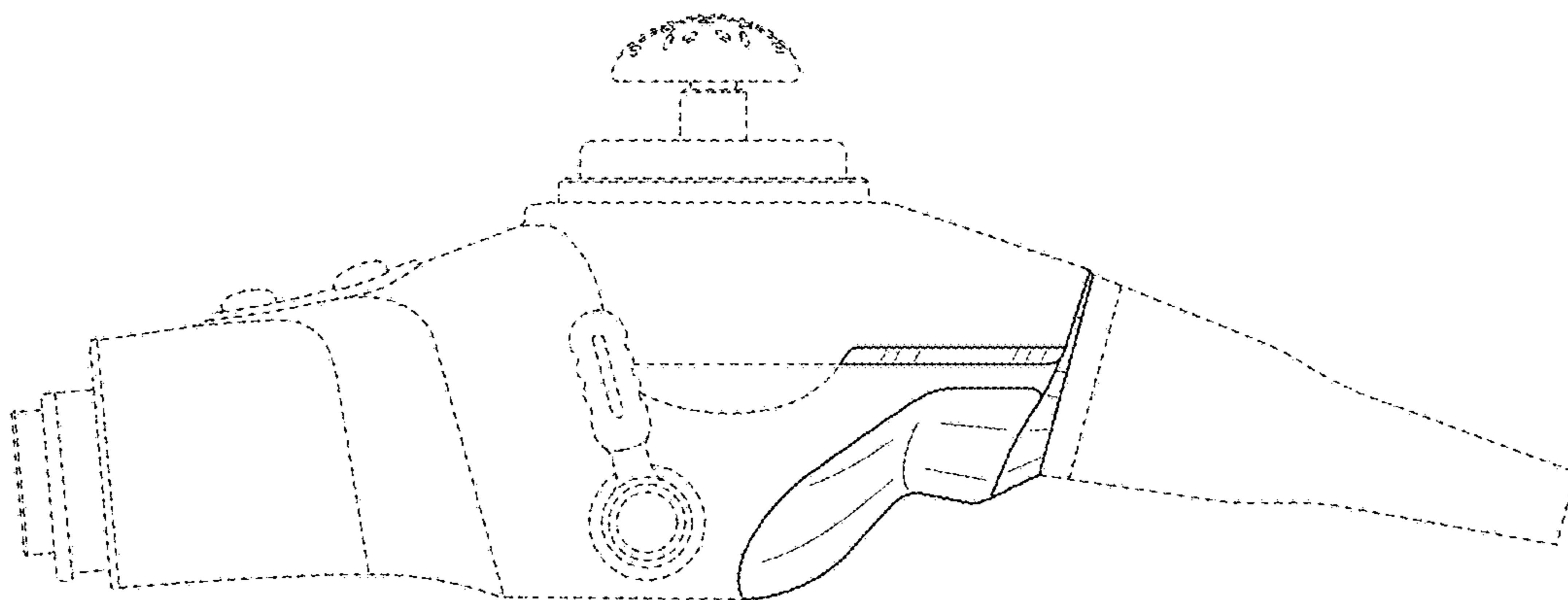
D671,214 S \* 11/2012 Funakoshi ..... D24/138  
D698,921 S \* 2/2014 Koennecke ..... D24/138

**1 Claim, 3 Drawing Sheets**

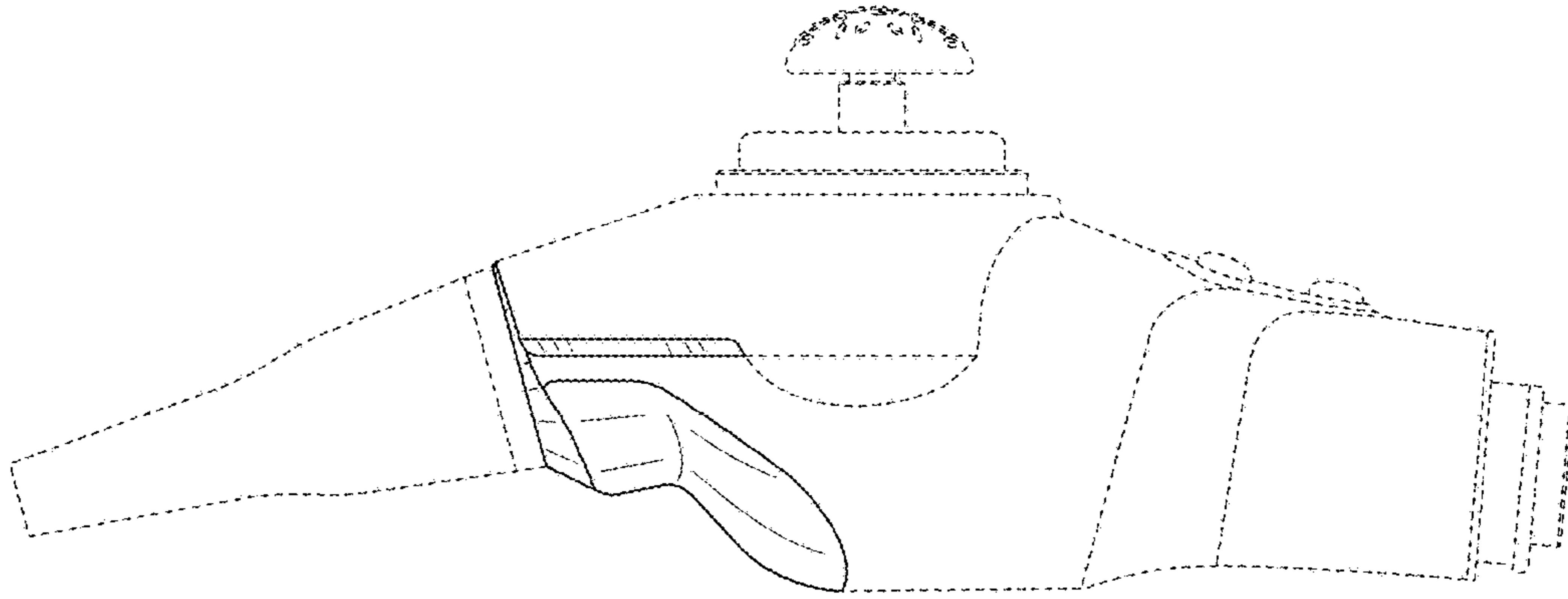




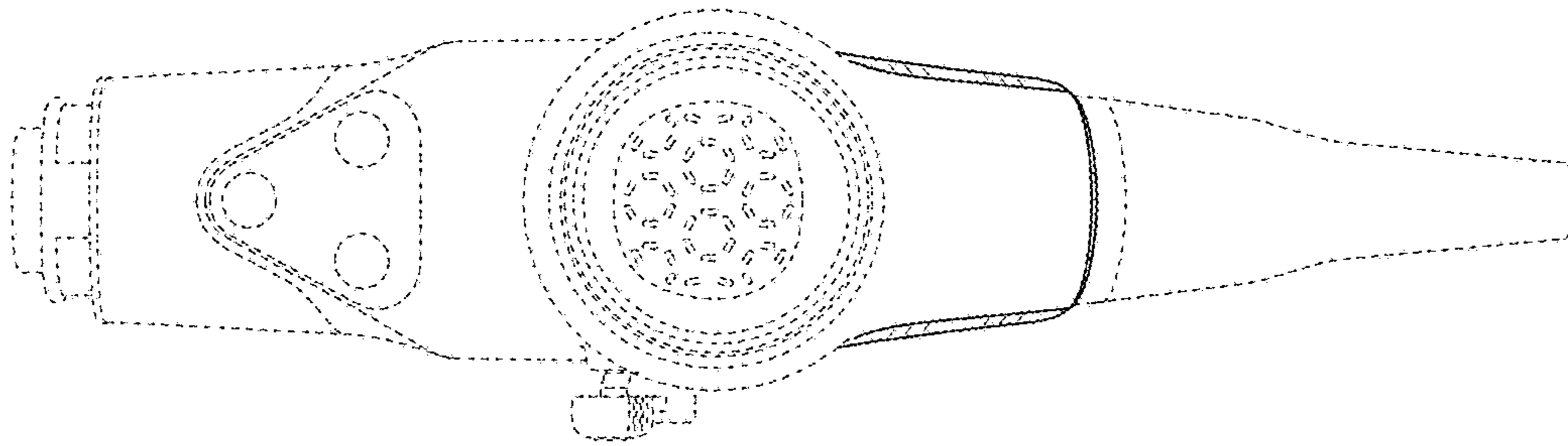
*Fig. 1*



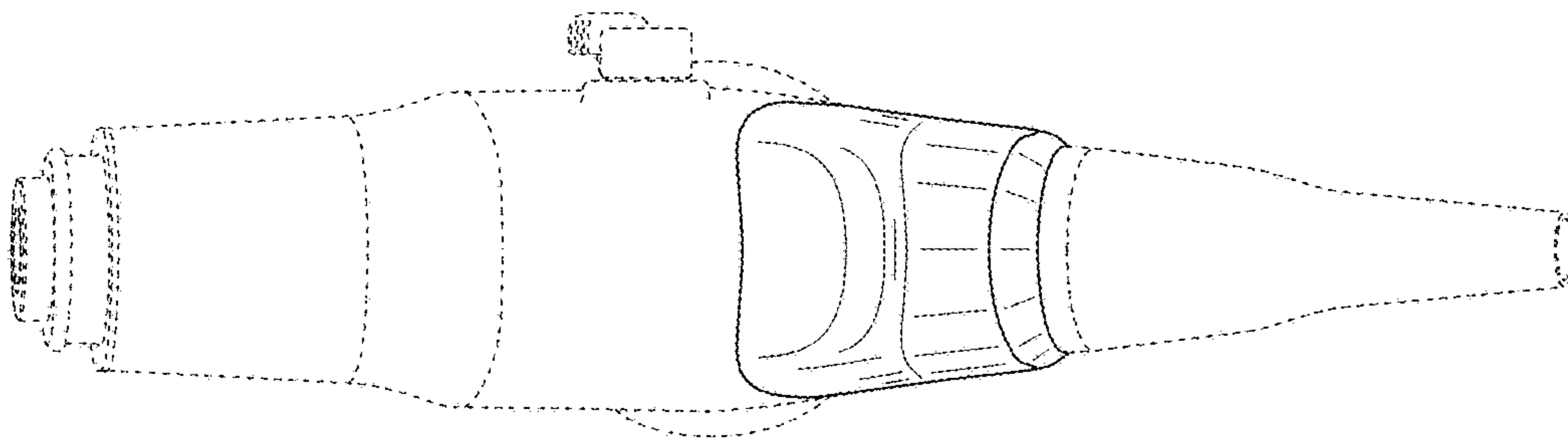
*Fig. 2*



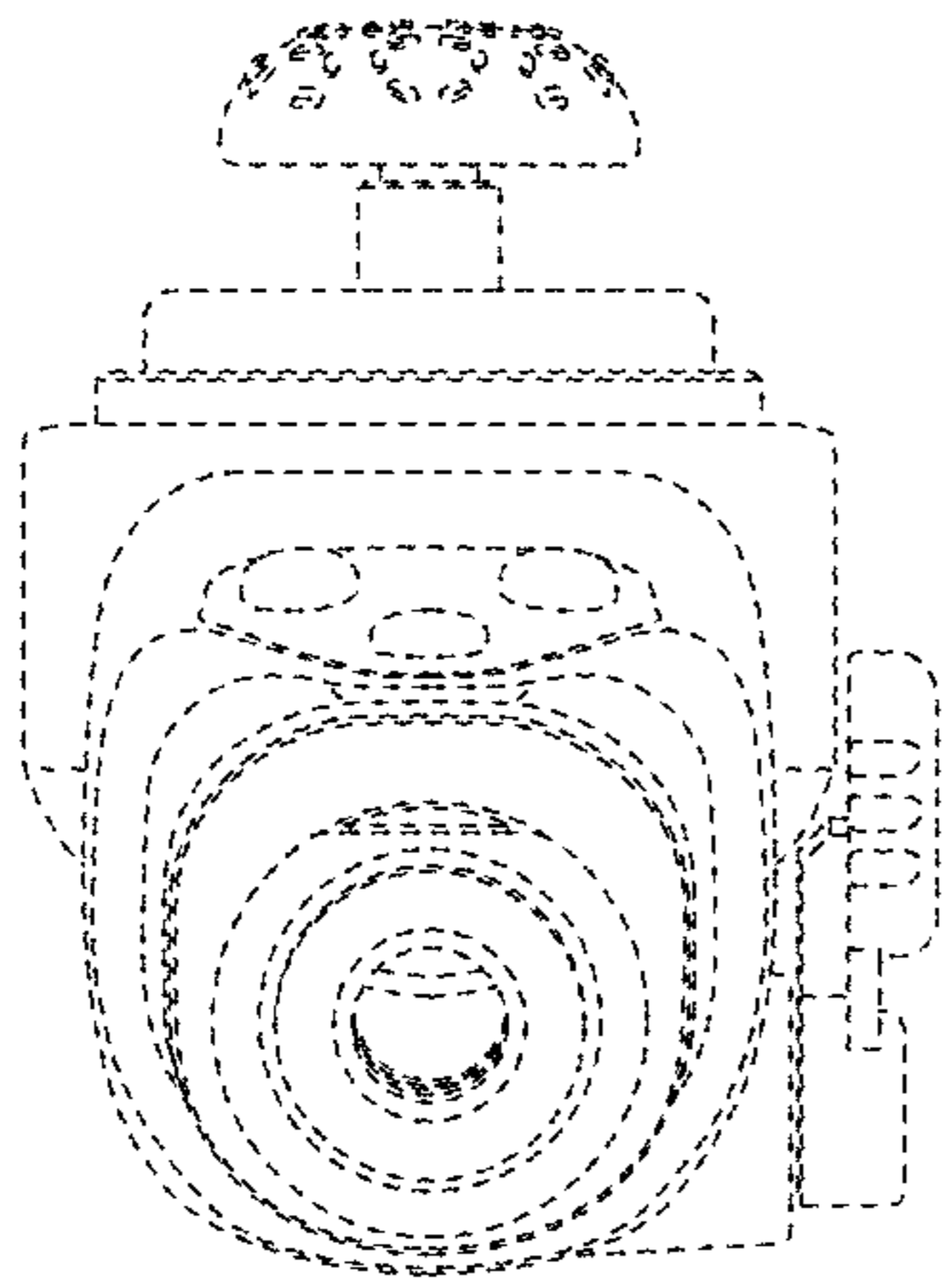
*Fig. 3*



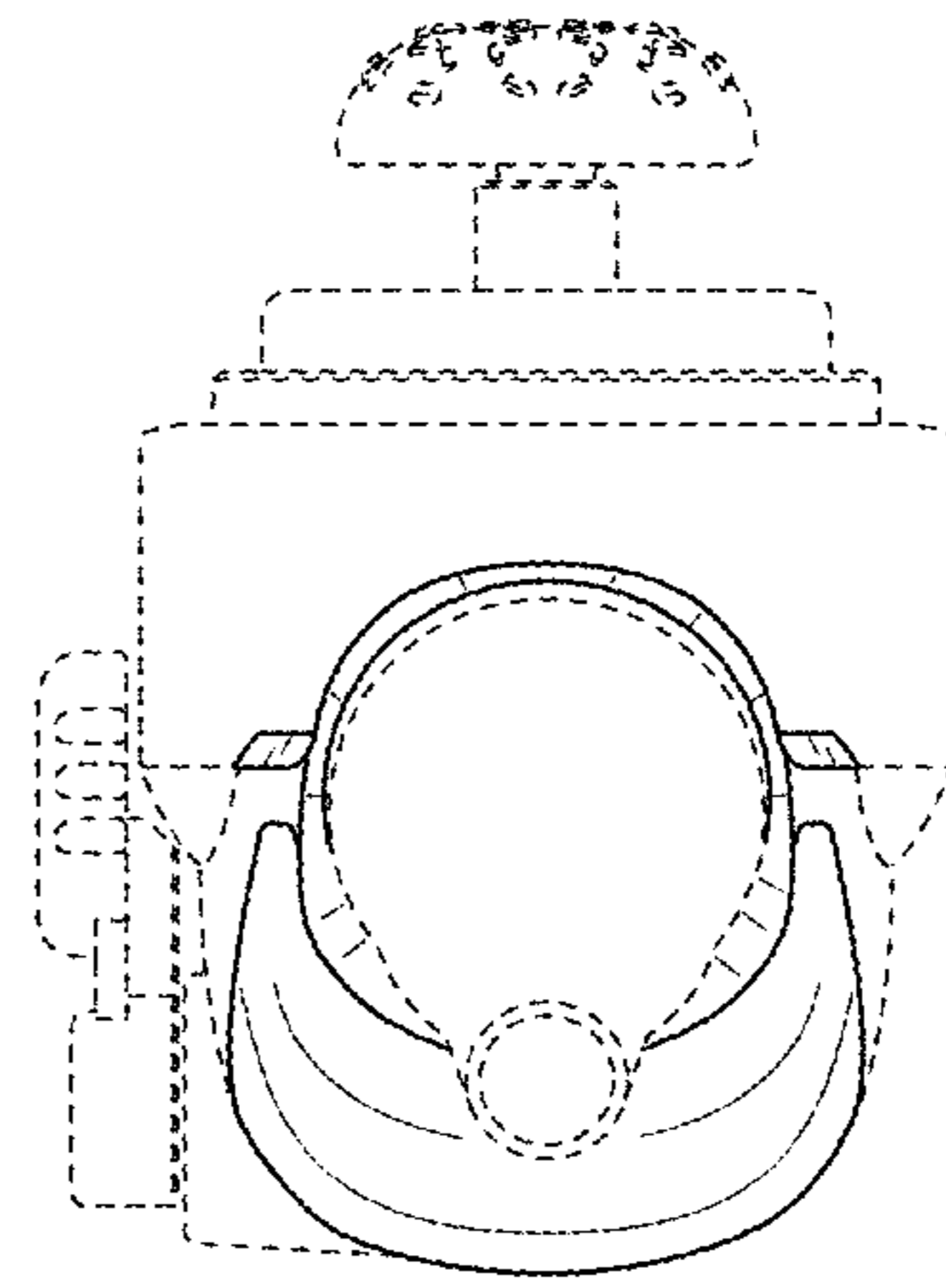
*Fig. 4*



*Fig. 5*



*Fig. 6*



*Fig. 7*

UNITED STATES PATENT AND TRADEMARK OFFICE  
**CERTIFICATE OF CORRECTION**

PATENT NO. : D842,465 S  
APPLICATION NO. : 29/640518  
DATED : March 5, 2019  
INVENTOR(S) : Reisuke Osada

Page 1 of 1

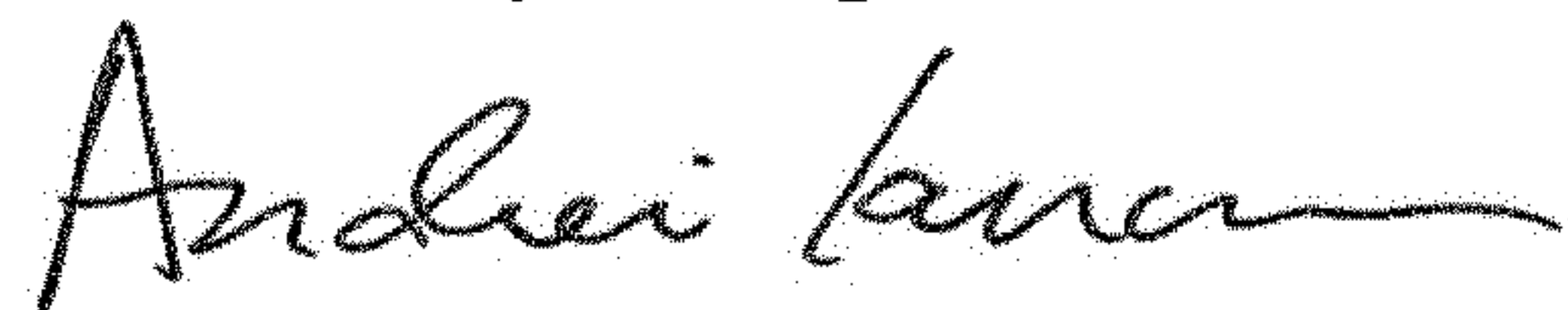
It is certified that error appears in the above-identified patent and that said Letters Patent is hereby corrected as shown below:

On the Title Page

(30) Foreign Application Priority Data should read:

Sep. 18, 2015 (JP) ..... 2015-020761  
Sep. 18, 2015 (JP) ..... 2015-020762  
Sep. 18, 2015 (JP) ..... 2015-020765

Signed and Sealed this  
Third Day of September, 2019



Andrei Iancu  
*Director of the United States Patent and Trademark Office*