



US00D842464S

(12) **United States Design Patent**  
**Davis et al.**

(10) **Patent No.:** **US D842,464 S**  
(45) **Date of Patent:** **\*\* Mar. 5, 2019**

(54) **TIP CAP FOR FLUID DELIVERY DEVICE**

FOREIGN PATENT DOCUMENTS

(71) Applicant: **NEOMED, INC.**, Woodstock, GA (US)

JP H10297655 A 11/1998  
WO 2008128074 A2 10/2008

(72) Inventors: **Benjamin Martin Davis**, Woodstock, GA (US); **Aaron N. Ingram**, Canton, GA (US); **Mark M. Costello**, Co. Mayo (IE)

(Continued)

(73) Assignee: **NEOMED, INC.**, Woodstock, GA (US)

OTHER PUBLICATIONS

(\*\*) Term: **15 Years**

Baxa Self-Righting Luer Tip Caps; www.iso-med.com; 1 pg; date unknown.

(21) Appl. No.: **29/617,943**

(Continued)

(22) Filed: **Sep. 18, 2017**

*Primary Examiner* — Richelle G Shelton

(74) *Attorney, Agent, or Firm* — Gardner Groff Greenwald & Villanueva, P.C.

**Related U.S. Application Data**

(60) Division of application No. 29/533,173, filed on Jul. 15, 2015, now Pat. No. Des. 797,929, which is a continuation-in-part of application No. 29/521,665, filed on Mar. 25, 2015, now Pat. No. Des. 797,928.

(51) **LOC (11) Cl.** ..... **24-02**

(52) **U.S. Cl.**  
USPC ..... **D24/130**

(58) **Field of Classification Search**  
USPC ..... D24/129, 130; D9/453  
CPC ... A61M 5/3202; A61M 5/3134; B65D 41/16; F16K 21/08; A61J 1/1425  
See application file for complete search history.

(57) **CLAIM**

The ornamental design for a tip cap for a fluid delivery device, substantially as shown and described.

**DESCRIPTION**

FIG. 1 is a perspective view of a tip cap for fluid delivery device according to an embodiment of the design.

FIG. 2 is a front elevation view thereof, the rear, left and right side elevation views being identical.

FIG. 3 is a top plan view thereof.

FIG. 4 is bottom plan view thereof.

FIG. 5 is a bottom perspective view of the tip cap for fluid delivery device according to another embodiment of the design.

FIG. 6 is a front elevation view thereof, the rear, left and right side elevation views being identical.

FIG. 7 is a top plan view thereof; and,

FIG. 8 is bottom plan view thereof.

The broken lines immediately adjacent the shaded areas represent the bounds of the claimed design while all other broken lines are directed to portions of the article excluded from the claim. The broken lines form no part of the claimed design.

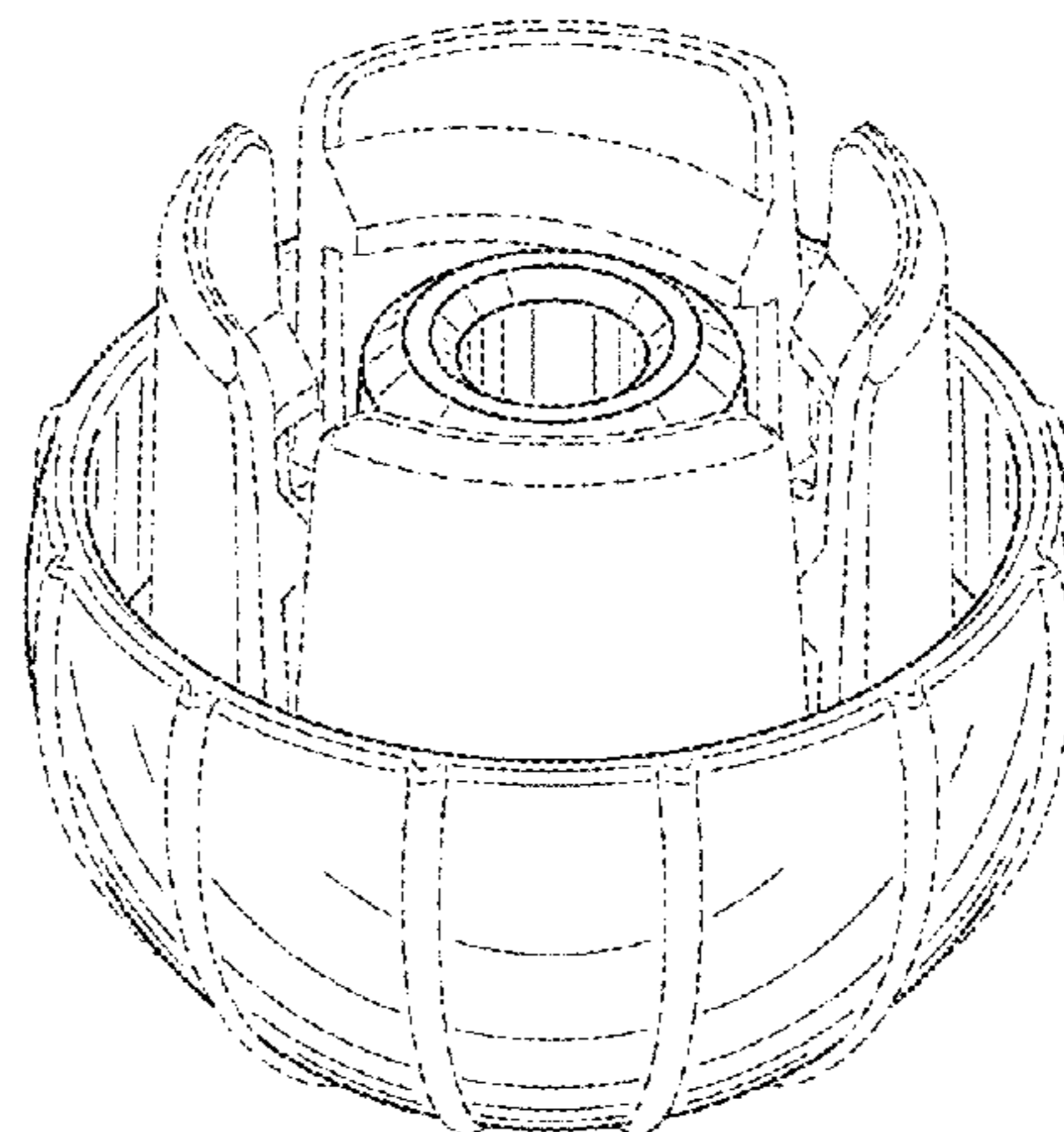
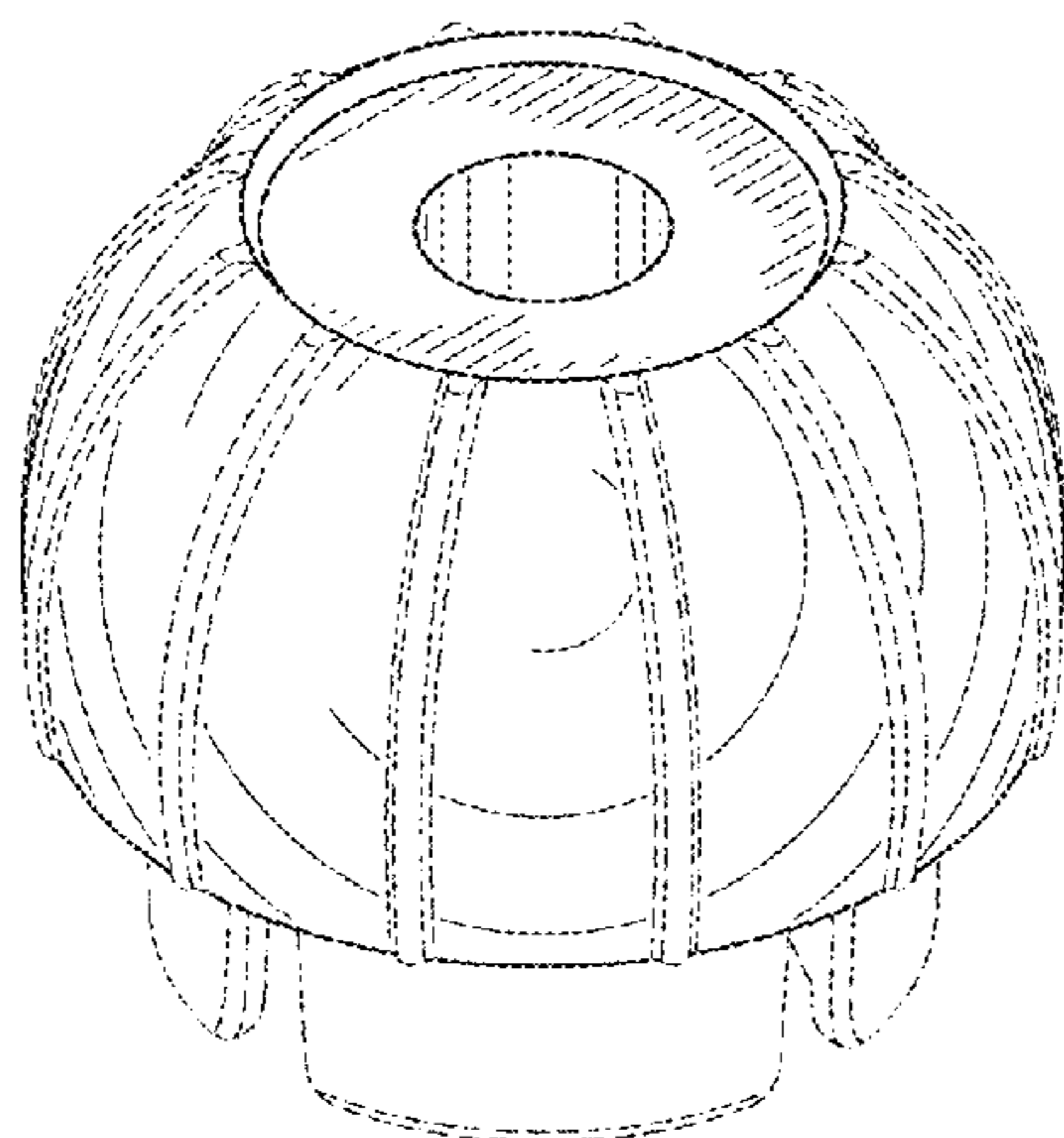
(56) **References Cited**

U.S. PATENT DOCUMENTS

3,344,786 A	10/1967	Berg et al.
3,712,749 A	1/1973	Roberts
3,937,211 A	2/1976	Merten
4,043,334 A	8/1977	Brown et al.
4,286,591 A	9/1981	Raines
D309,710 S	8/1990	Groves

(Continued)

**1 Claim, 2 Drawing Sheets**



(56)

References Cited

U.S. PATENT DOCUMENTS

D310,028 S 8/1990 Brandt et al.  
 D378,233 S 2/1997 Warner  
 5,797,885 A 8/1998 Rubin  
 D432,916 S 10/2000 Drinkwater et al.  
 6,749,092 B2 6/2004 Olechowski et al.  
 D547,657 S 7/2007 Tacchella  
 7,316,669 B2 1/2008 Ranalletta  
 D596,487 S 7/2009 Batton et al.  
 D602,355 S 10/2009 Waaland  
 D617,187 S 6/2010 Murray  
 8,099,932 B2 1/2012 Peacop et al.  
 8,343,041 B2 1/2013 Byers et al.  
 D682,688 S 5/2013 Murray  
 D684,055 S 6/2013 Kwon  
 D684,057 S 6/2013 Kwon  
 D686,495 S 7/2013 Murray  
 8,528,757 B2 9/2013 Bisio  
 D692,143 S 10/2013 Shahidi Bonjar  
 D705,061 S 5/2014 Jo et al.  
 D710,695 S 8/2014 Pritikin  
 D712,744 S 9/2014 Neputy et al.  
 D713,247 S 9/2014 Webster et al.  
 D715,143 S 10/2014 Hewitt et al.  
 D715,146 S 10/2014 Holmes  
 D726,308 S 4/2015 Shubin, Sr. et al.  
 9,016,473 B2 4/2015 Tamarindo  
 D731,647 S 6/2015 Nishioka et al.  
 D735,038 S 7/2015 Tamarindo  
 D741,996 S 10/2015 Strong et al.

D759,486 S 6/2016 Ingram et al.  
 D796,326 S \* 9/2017 Ichikawa ..... D9/434  
 D797,929 S 9/2017 Davis et al.  
 2009/0223963 A1\* 9/2009 Bisio ..... B65D 41/3404  
 220/304  
 2010/0252564 A1 10/2010 Martinez et al.  
 2016/0067147 A1 3/2016 Davis et al.  
 2016/0067422 A1 3/2016 Davis et al.  
 2016/0317393 A1 11/2016 Davis et al.

FOREIGN PATENT DOCUMENTS

WO 2012024370 A1 2/2012  
 WO 2014049097 A1 4/2014  
 WO 2014160911 A1 10/2014  
 WO 2016040126 A1 3/2016  
 WO 2018022631 A1 2/2018

OTHER PUBLICATIONS

Comar Tip Caps; 1 pg; date unknown.  
 International Search Report & Written Opinion for PCT/US2015/048380; 10 pgs; dated Oct. 29, 2015.  
 NeoMed Self-Righting Tip Cap; 1 pg; 2008.  
 New ISO Tubing Connector Standards: A Follow-Up to the Sentinel Event Alert Webinar PowerPoint Presentation; www.jointcommission.org; 50 pgs; Dec. 3, 2014.  
 New Tube Feeding Connectors Webinar PowerPoint Presentation; www.oley.org; 24 pgs; Jun. 24, 2014.

\* cited by examiner

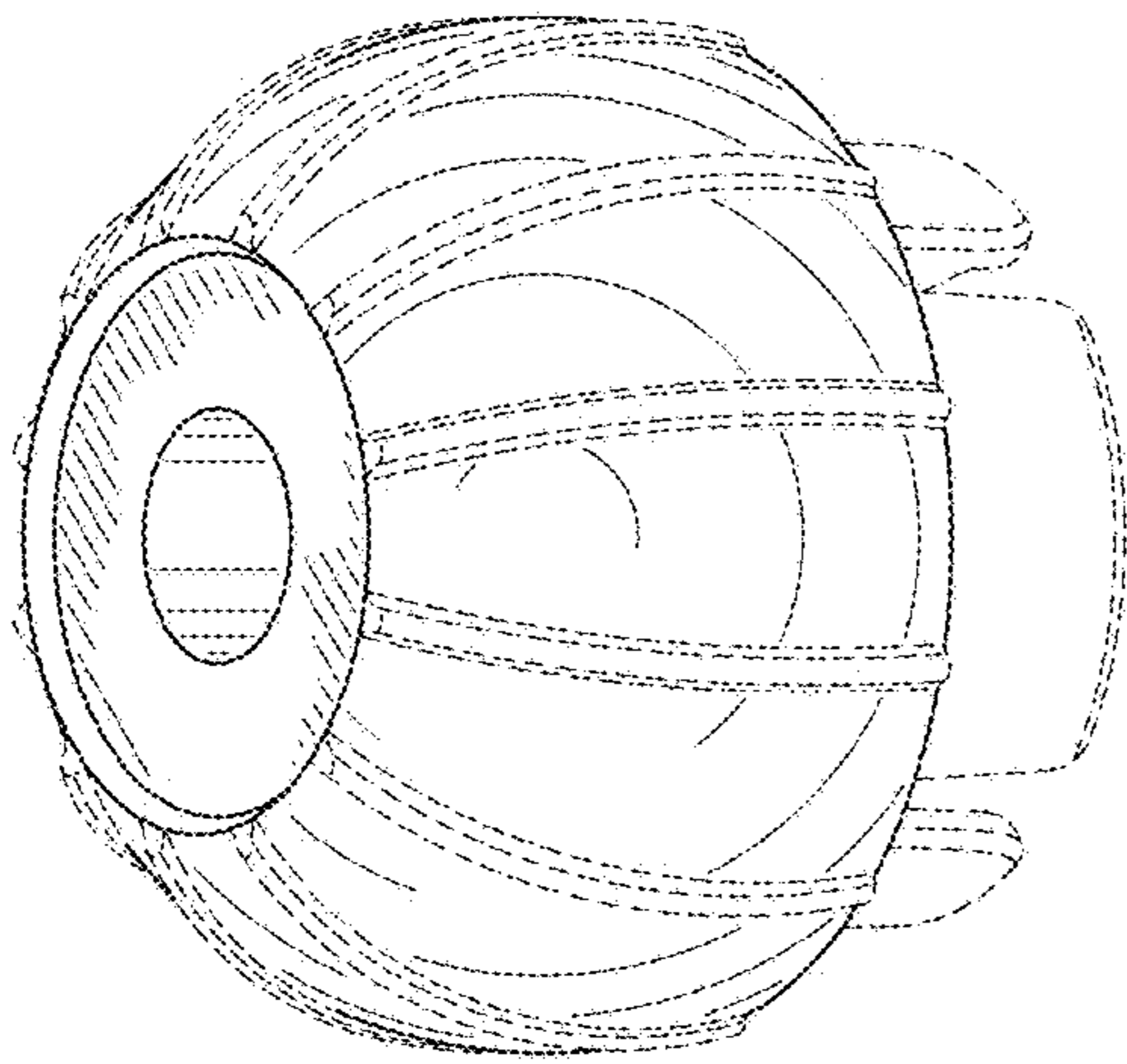


FIG. 1

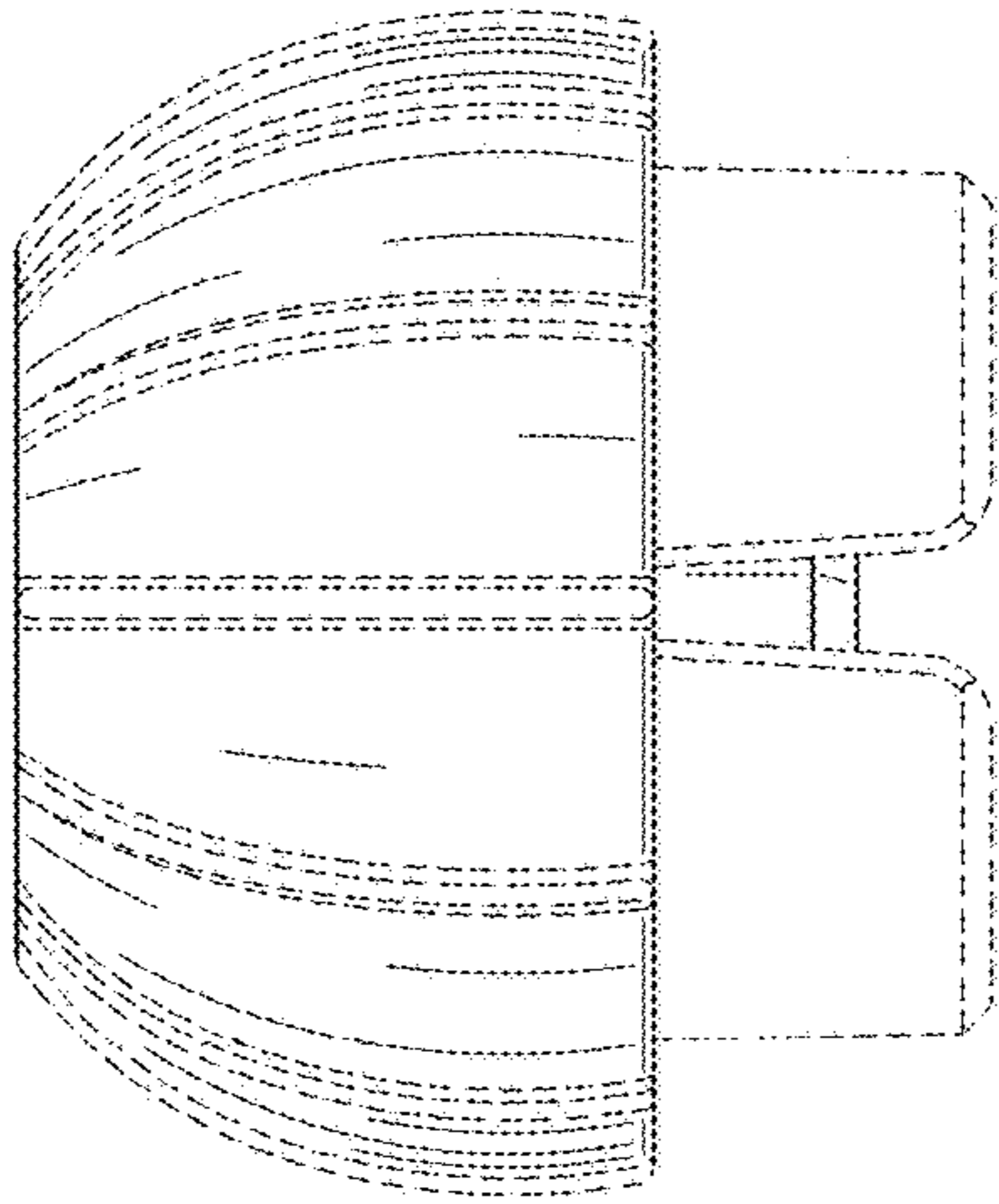


FIG. 2

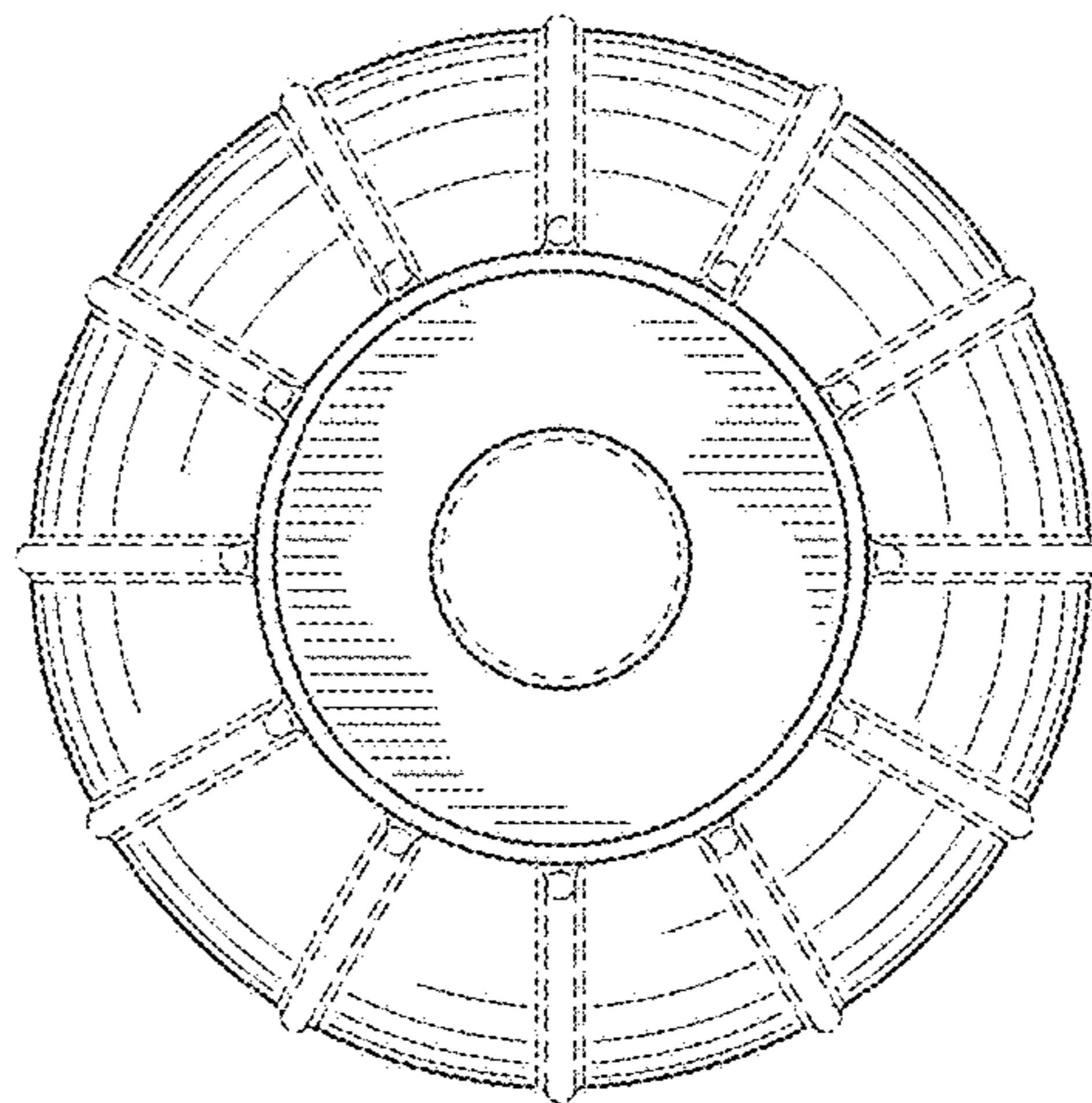


FIG. 3

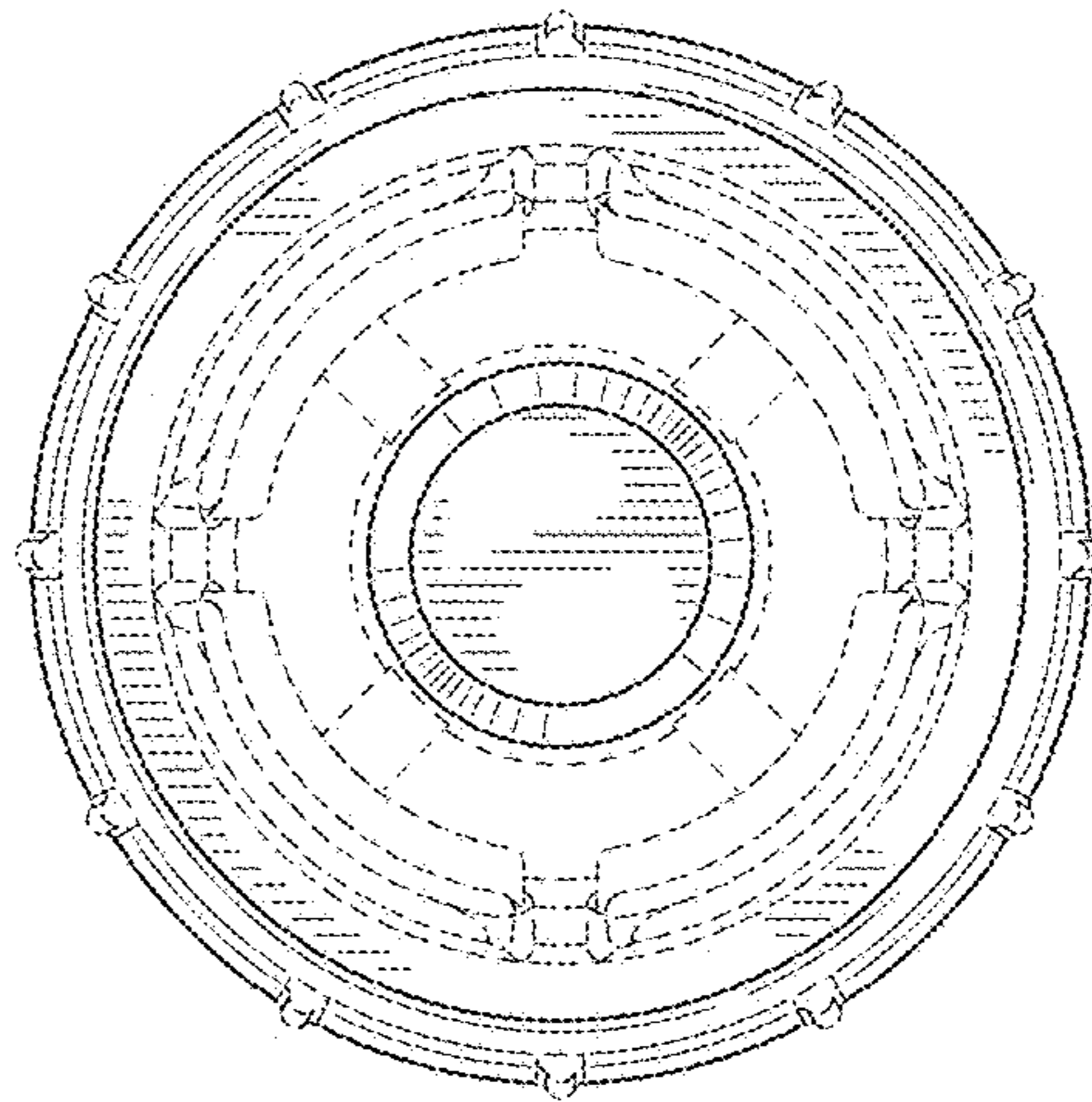


FIG. 4

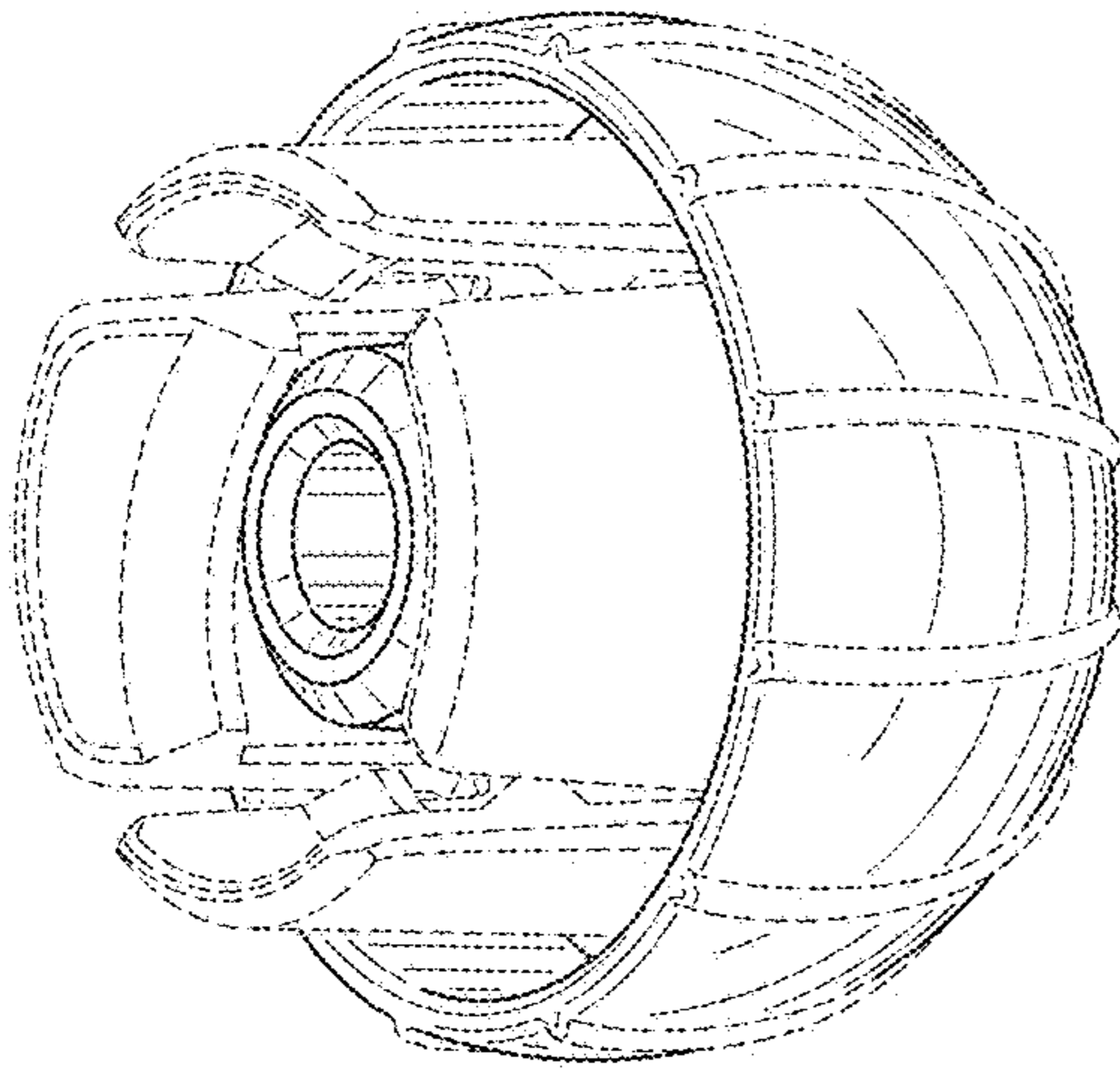


FIG. 5

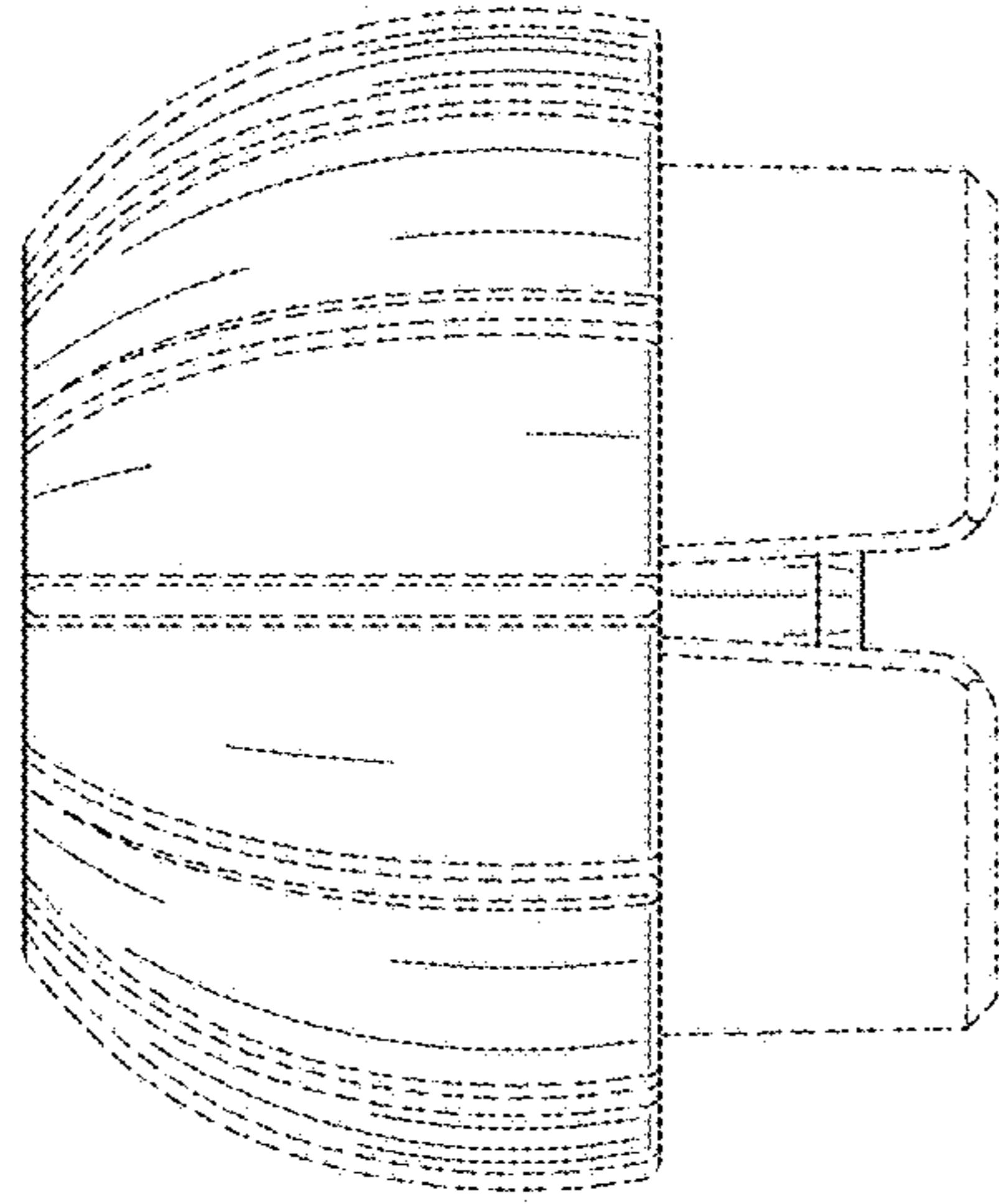


FIG. 6

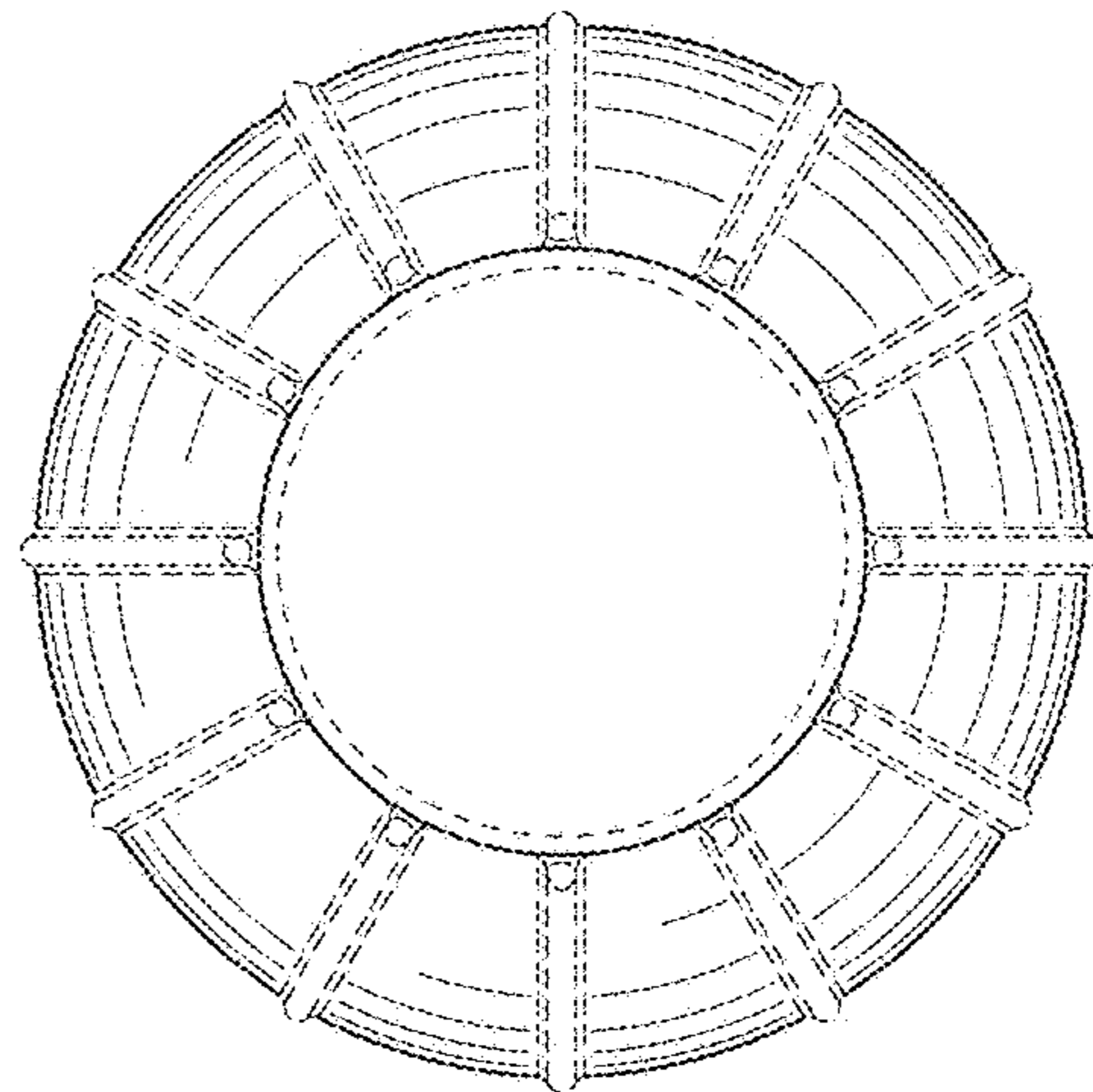


FIG. 7

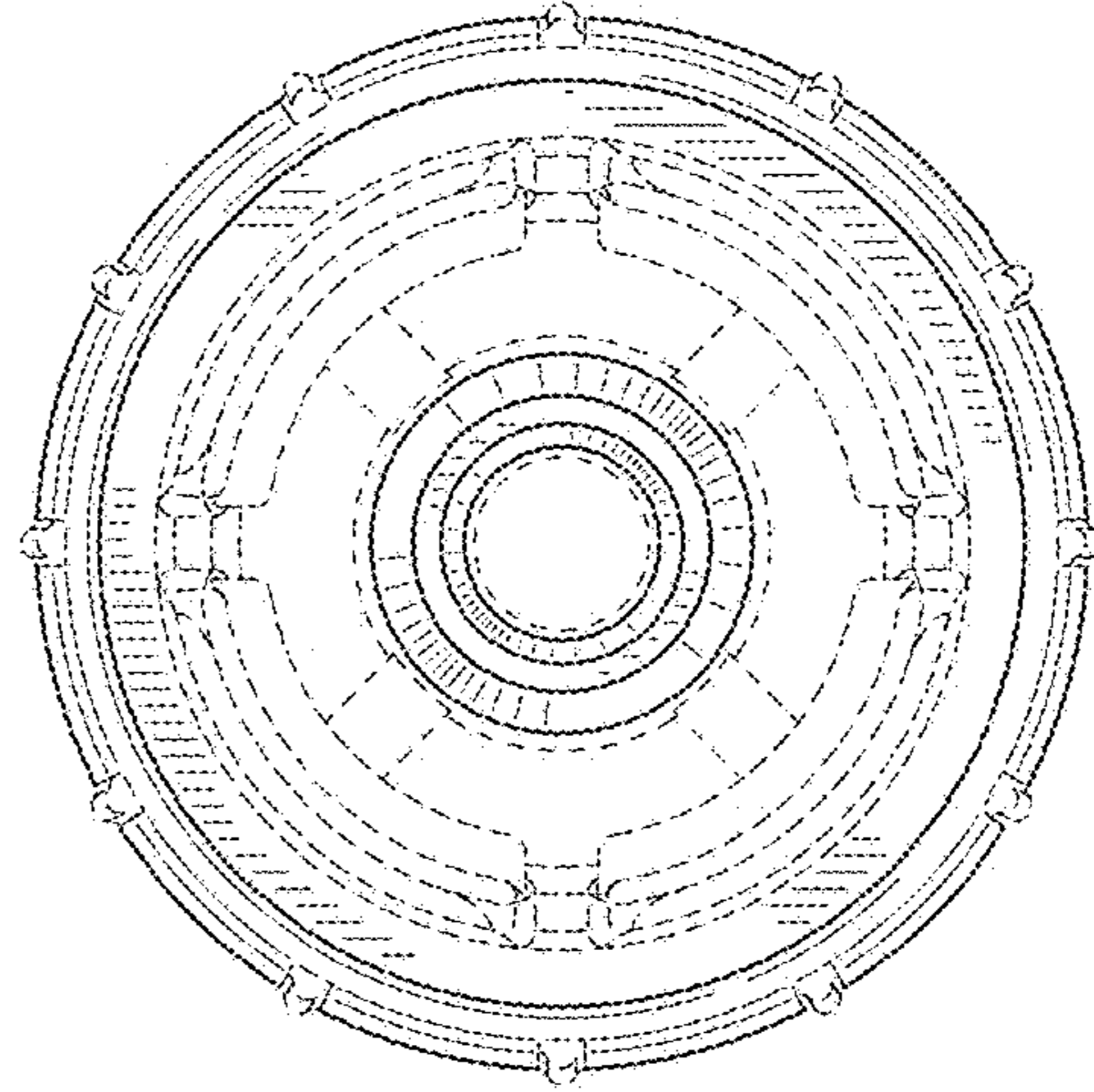


FIG. 8