



US00D842463S

(12) **United States Design Patent** (10) **Patent No.:** **US D842,463 S**
Grunhut et al. (45) **Date of Patent:** **** Mar. 5, 2019**

(54) **SYRINGE FLANGE**
(71) Applicant: **Becton Dickinson France**, Le Pont de Claix (FR)
(72) Inventors: **Guillaume Grunhut**, Grenoble (FR); **Lionel Maritan**, Pierre-Chatel (FR)
(73) Assignee: **Becton Dickinson France**, Le Pont de Claix (FR)

D793,552 S * 8/2017 Schiller A61M 5/3137 D24/130
D794,185 S * 8/2017 Dolk D24/130
D794,187 S * 8/2017 Dolk D24/130
D796,670 S * 9/2017 Dolk D24/130
D797,282 S * 9/2017 Dolk D24/130
D798,444 S * 9/2017 Darras D24/130
D799,034 S * 10/2017 Nguyen D24/130
D800,900 S * 10/2017 Darras D24/130
D804,663 S * 12/2017 Jenkins D24/130
2013/0018325 A1 1/2013 Schiller et al.

(**) Term: **15 Years**

(21) Appl. No.: **29/583,090**

(22) Filed: **Nov. 2, 2016**

(30) **Foreign Application Priority Data**

May 4, 2016 (EM) 003109735-0001

(51) **LOC (11) Cl.** **24-02**

(52) **U.S. Cl.**
USPC **D24/130**

(58) **Field of Classification Search**
USPC D24/112-114, 108, 133, 130, 127, 186;
606/181, 185; 604/264, 272, 187, 181,
604/184, 227
CPC A61M 5/178; A61M 3/00; A61M 5/20;
A61M 5/31; A61M 5/3146; A61M
5/3129; A61M 5/3148; A61M 5/315
See application file for complete search history.

(56) **References Cited**

U.S. PATENT DOCUMENTS

D581,045 S * 11/2008 Sudo D24/130
D751,705 S * 3/2016 Hitscherich, Jr. D24/130
D777,325 S * 1/2017 Aneas D24/130
D790,691 S * 6/2017 Davis D24/130

FOREIGN PATENT DOCUMENTS

WO 2013/009387 A1 1/2013

* cited by examiner

Primary Examiner — David G Muller

(74) *Attorney, Agent, or Firm* — The Webb Law Firm

(57) **CLAIM**

The ornamental design for a syringe flange, as shown and described.

DESCRIPTION

FIG. 1 is a topwardly-directed perspective view of a syringe flange in accordance with an embodiment of the present invention.

FIG. 2 is a front view of the syringe flange of FIG. 1.

FIG. 3 is a rear view of the syringe flange of FIG. 1.

FIG. 4 is a top view of the syringe flange of FIG. 1.

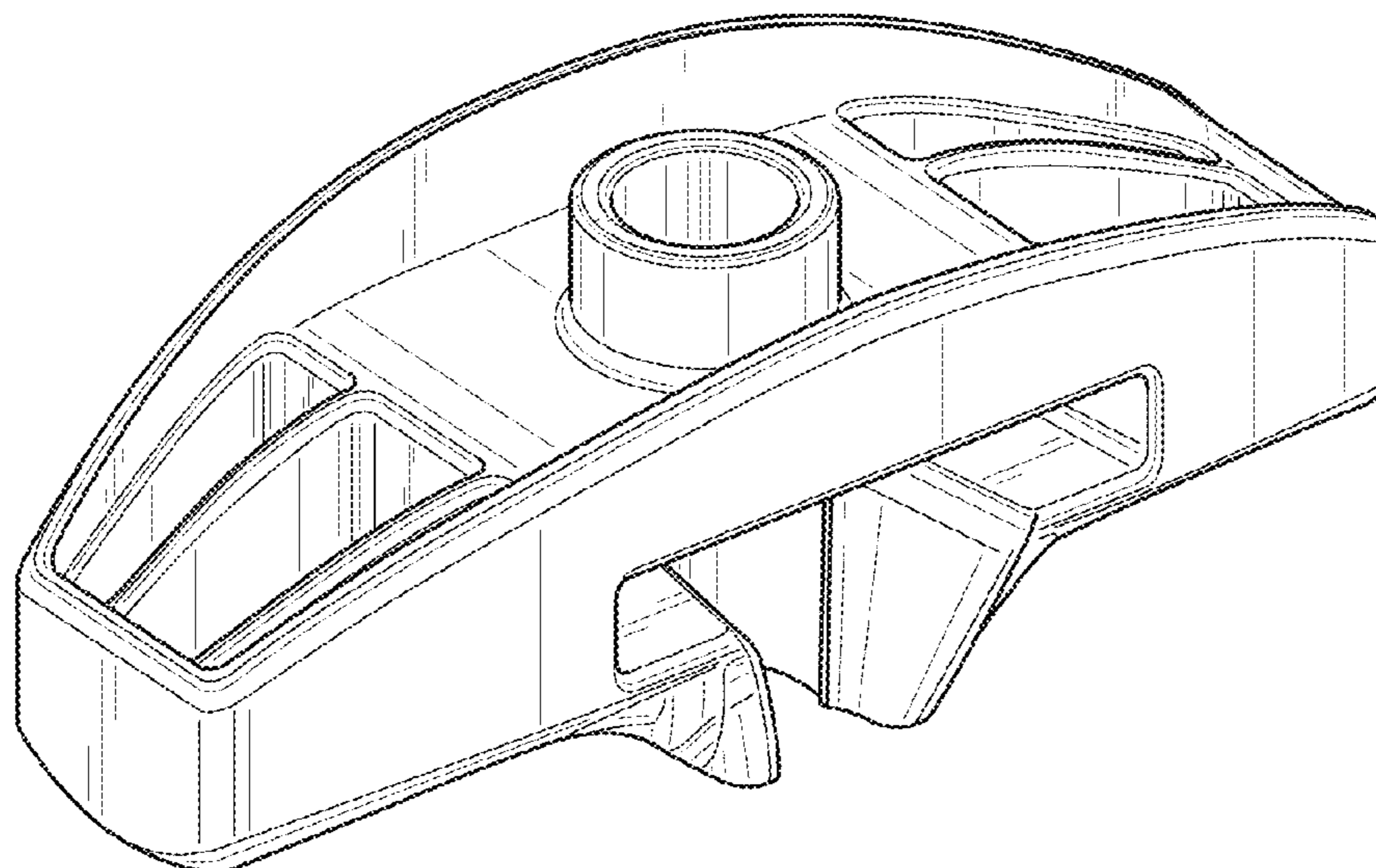
FIG. 5 is a bottom view of the syringe flange of FIG. 1.

FIG. 6 is a right-side view of the syringe flange of FIG. 1; and,

FIG. 7 is a left-side view of the syringe flange of FIG. 1.

The broken line showing of parts of the drawings is included for the purpose of illustrating use and environment and forms no part of the claimed design.

1 Claim, 4 Drawing Sheets



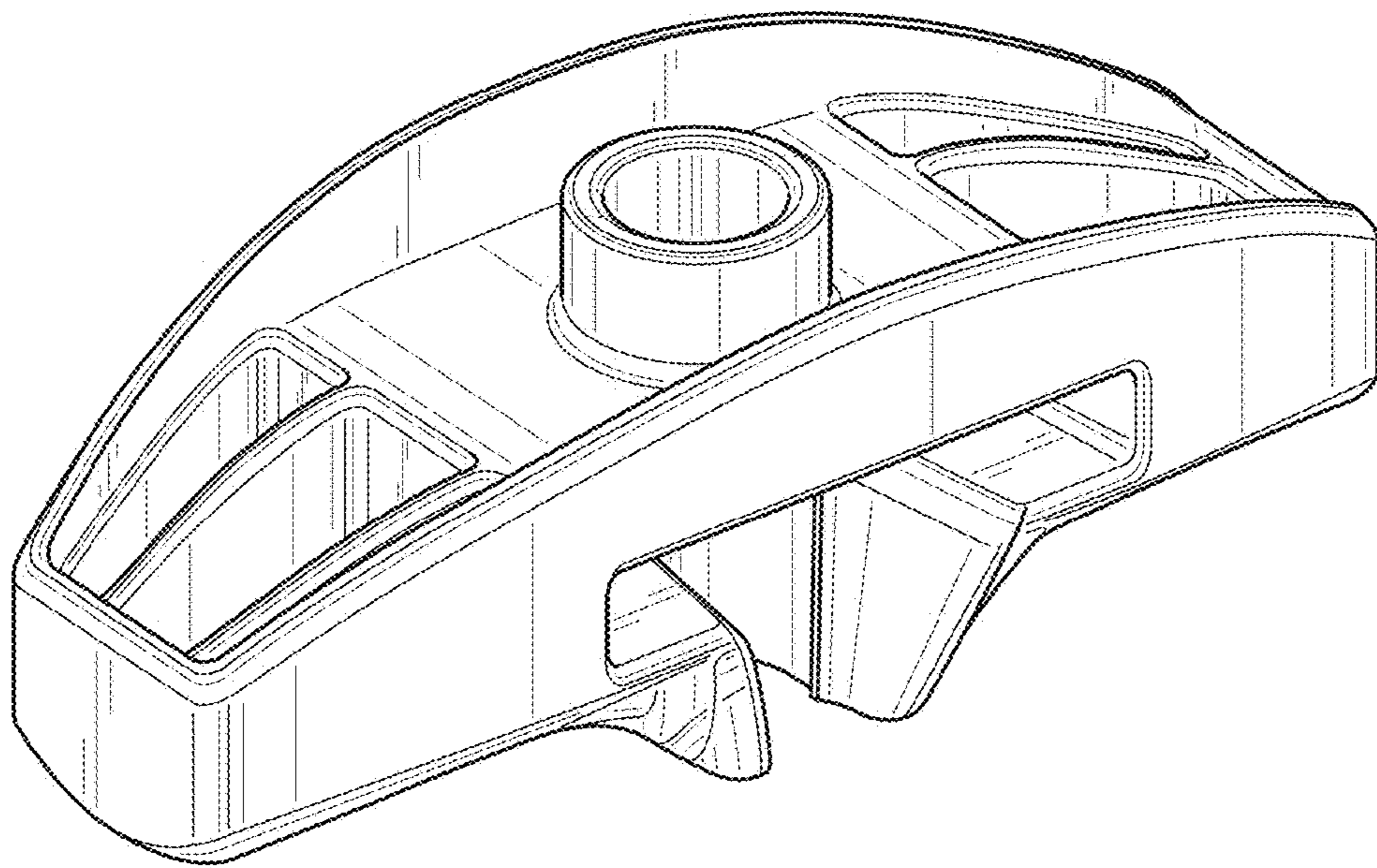


FIG. 1

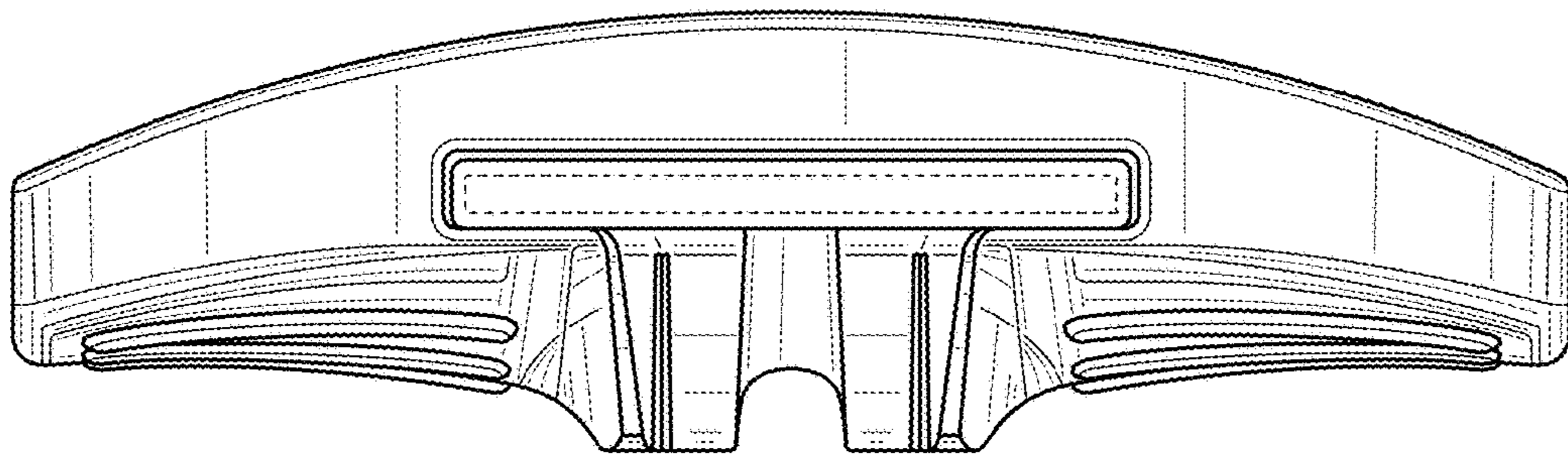


FIG. 2

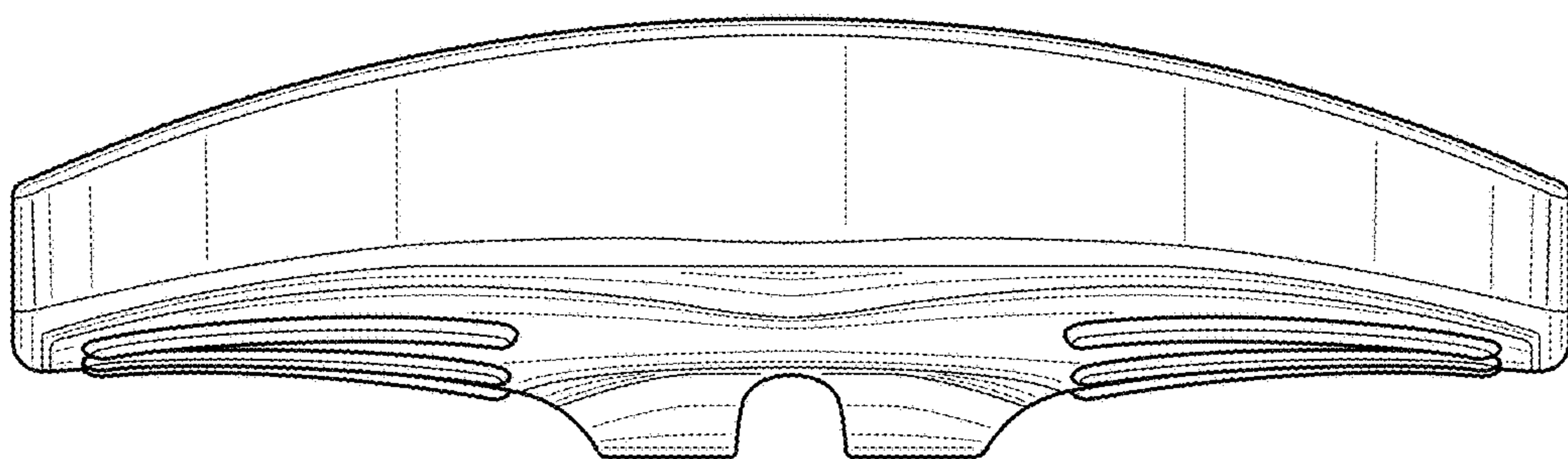


FIG. 3

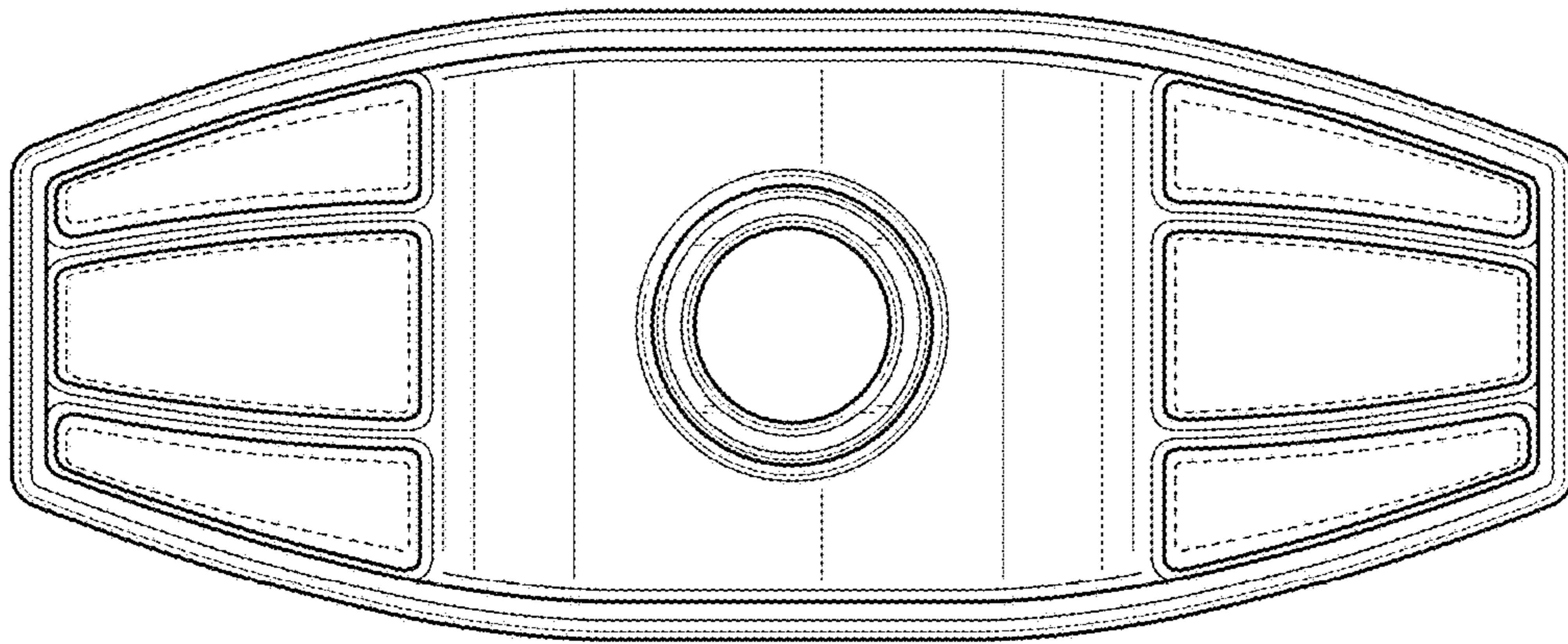


FIG. 4

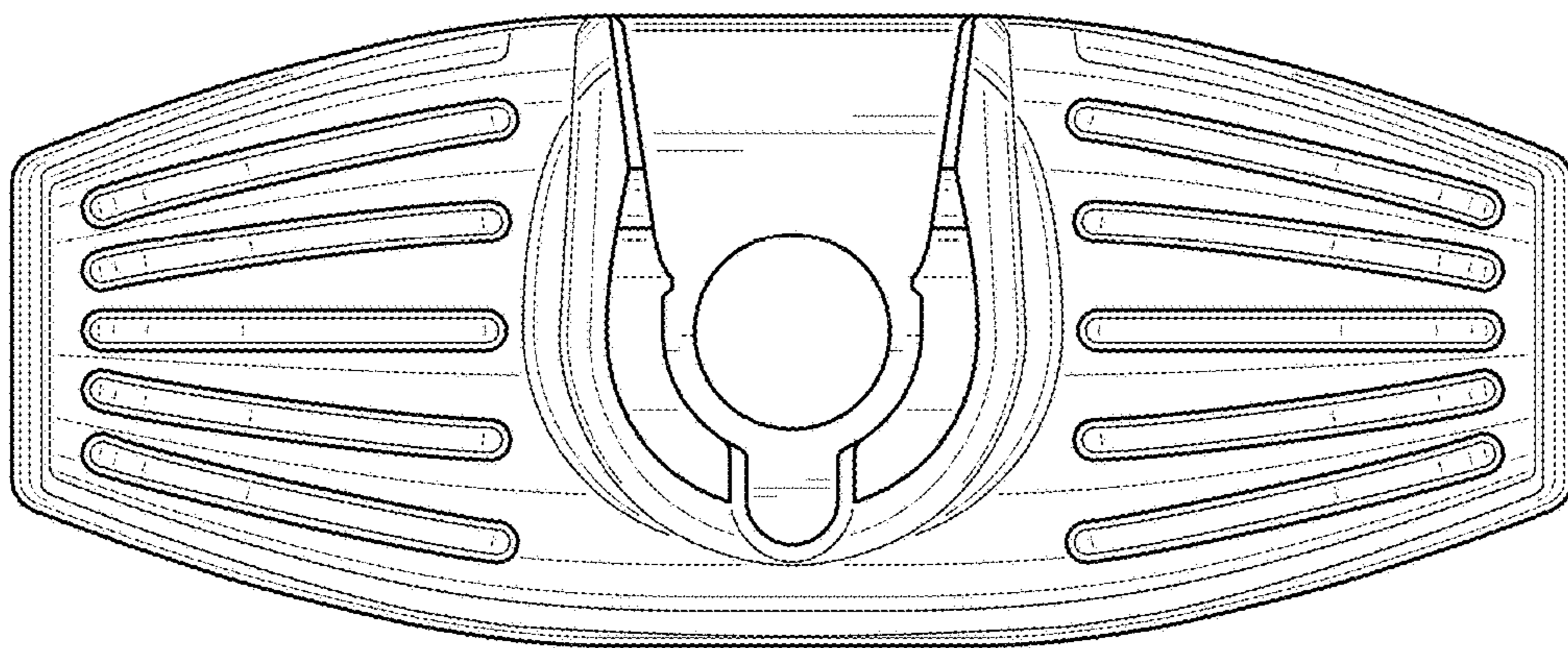


FIG. 5

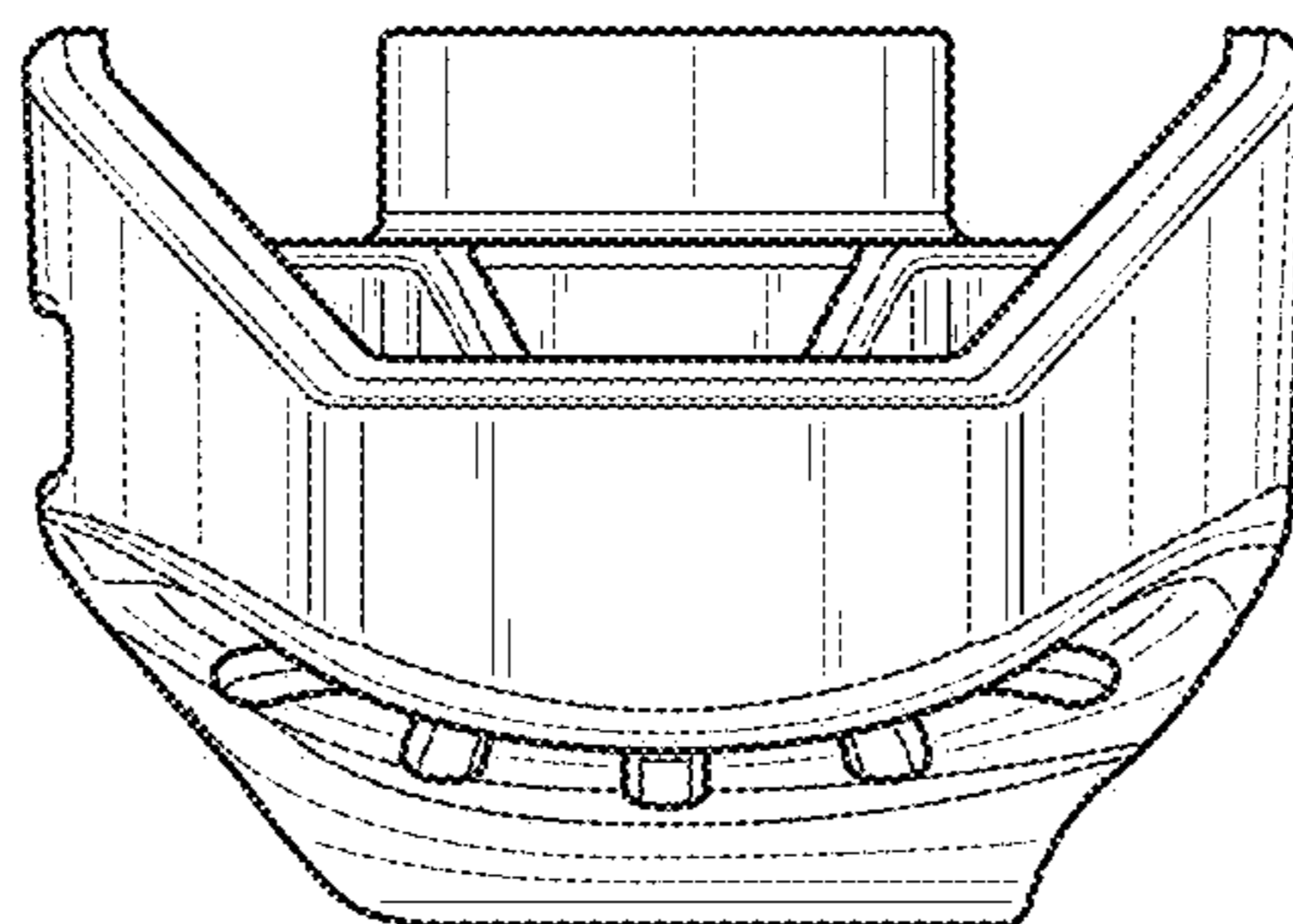


FIG. 6

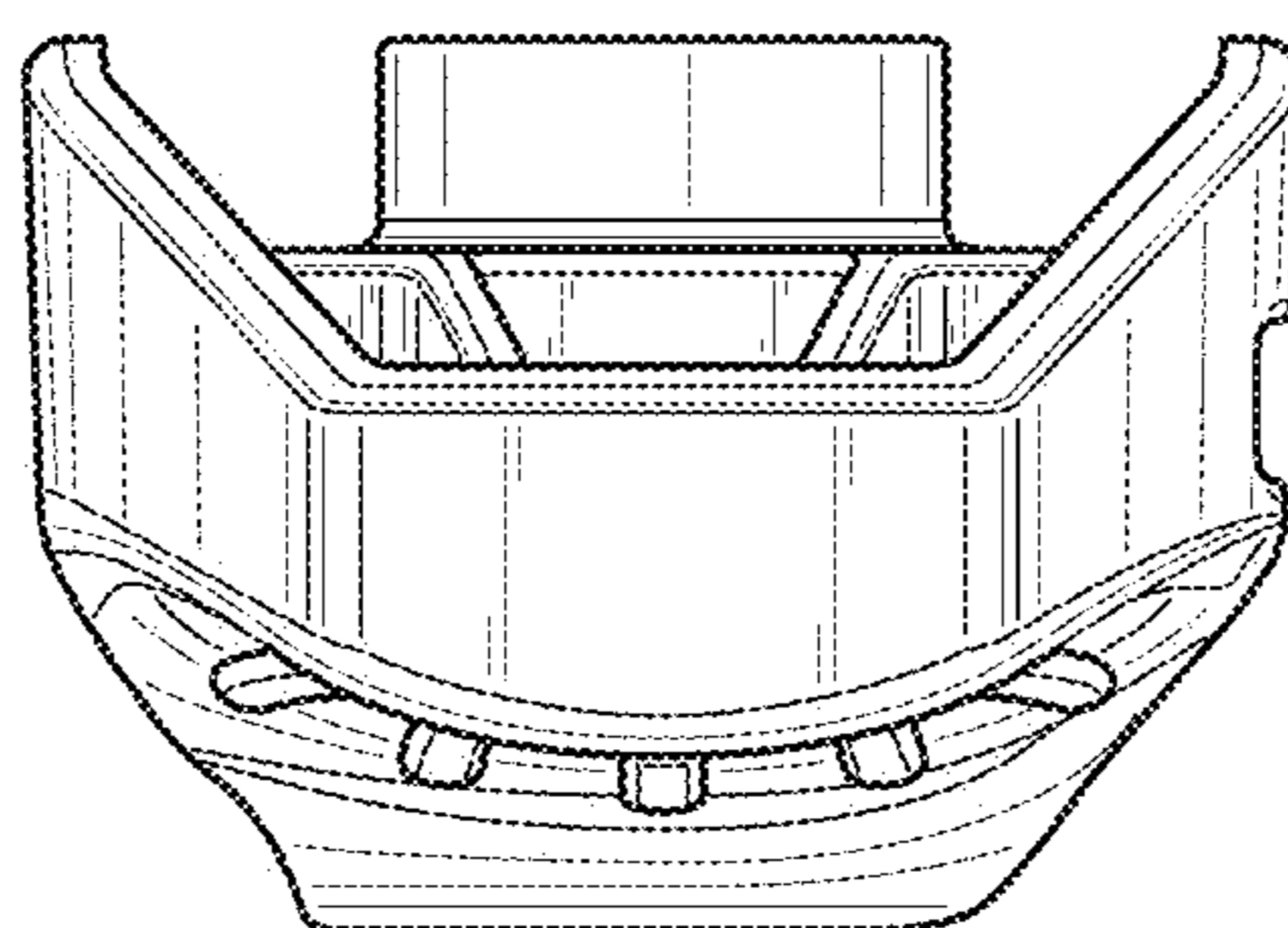


FIG. 7