



US00D842460S

(12) **United States Design Patent** (10) **Patent No.:** **US D842,460 S**  
**Gierse et al.** (45) **Date of Patent:** **\*\* Mar. 5, 2019**

(54) **MOUTHPIECE**

(56) **References Cited**

(71) Applicant: **GEORG MENSHEN GmbH & Co. KG**, Finnentrop (DE)

U.S. PATENT DOCUMENTS

(72) Inventors: **Tim Gierse**, Attendorn (DE); **Frank Roemer**, Finnentrop (DE)

D737,436 S *	8/2015	Lev .....	D24/129
D751,192 S *	3/2016	She .....	D24/127
D787,664 S *	5/2017	Grunhut .....	D24/127
D791,939 S *	7/2017	Turturro .....	D24/129
D794,781 S *	8/2017	Gilbert .....	D24/129
D805,164 S *	12/2017	Norman .....	D23/259
D805,636 S *	12/2017	Pike .....	D24/130
D805,638 S *	12/2017	Pappalardo .....	D24/130
D809,656 S *	2/2018	Lau .....	D24/129
D815,256 S *	4/2018	Norman .....	D23/259
D816,211 S *	4/2018	Guala .....	D24/110.6
D816,835 S *	5/2018	Knight .....	D24/130
D820,441 S *	6/2018	Ketelhohn .....	A61B 17/22012 D24/127

(73) Assignee: **GEORG MENSHEN GMBH & CO. KG**, Finnentrop (DE)

(\*\*) Term: **15 Years**

(21) Appl. No.: **29/611,946**

(22) Filed: **Jul. 27, 2017**

(30) **Foreign Application Priority Data**

Feb. 8, 2017 (EM) ..... 001456800-0001

(51) **LOC (11) Cl.** ..... **24-02**

(52) **U.S. Cl.**  
USPC ..... **D24/127**

(58) **Field of Classification Search**  
USPC ..... D24/127-131, 112-114, 133, 186;  
606/181, 185; 604/264, 523-528, 272,  
604/187, 158, 164.01-164.11, 181, 184,  
604/227; 600/101, 139, 143;  
128/200.24, 207.14, 207.15  
CPC .. A61M 25/065; A61M 5/42; A61M 25/0612;  
A61M 25/00; A61M 39/00; A61M 27/00;  
A61M 25/0043; A61M 25/0067; A61M  
25/0097; A61F 2/958

See application file for complete search history.

\* cited by examiner

*Primary Examiner* — David G Muller

(74) *Attorney, Agent, or Firm* — Andrew Wilford

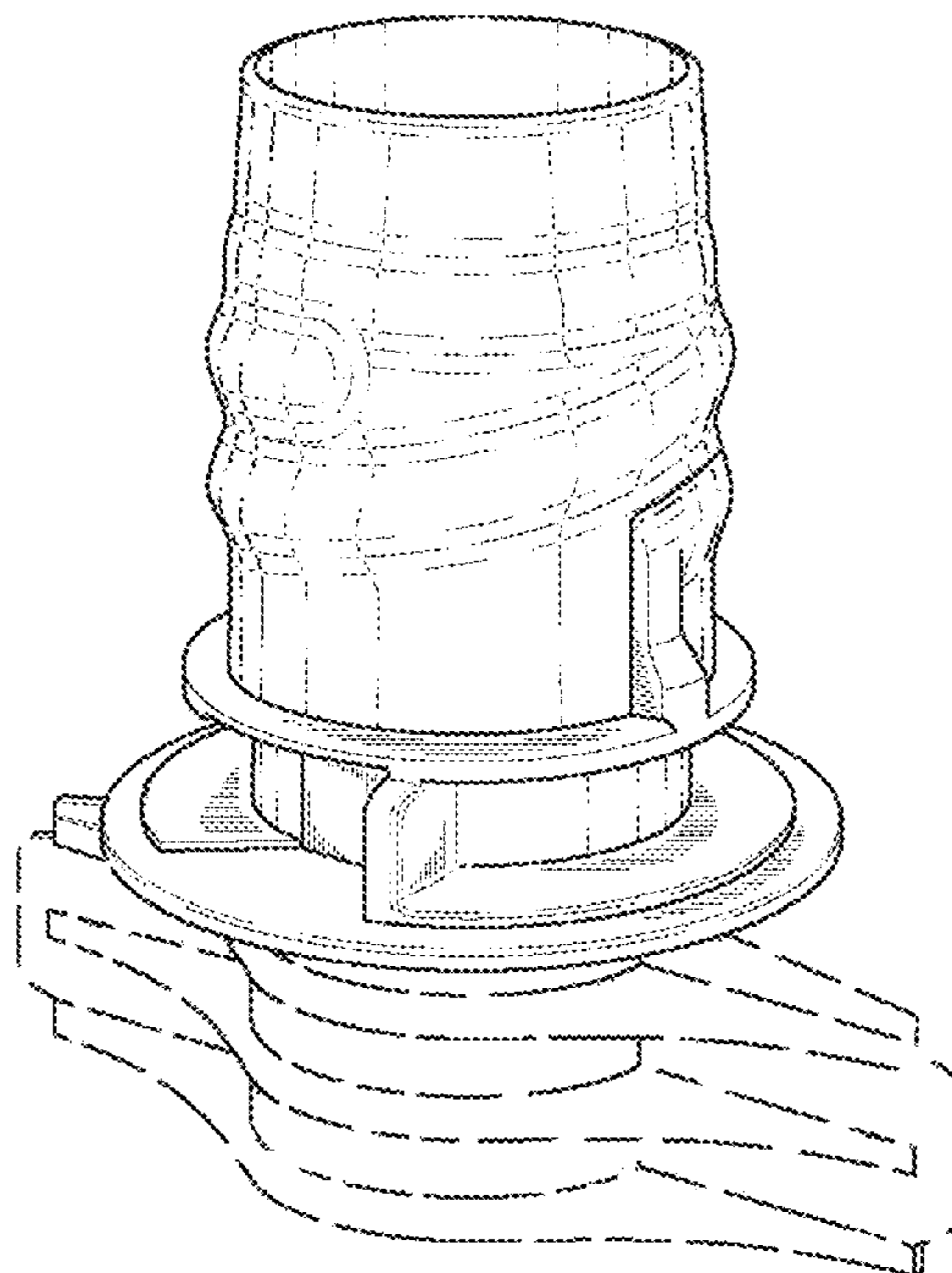
(57) **CLAIM**

The ornamental design for a mouthpiece, as shown and described.

**DESCRIPTION**

FIG. 1 is a perspective view from above of the invention;  
FIG. 2 is a side elevational view of the invention;  
FIG. 3 is another side elevational view of the invention taken at 90° to the view of FIG. 2; and,  
FIG. 4 is a top view of the invention.  
The broken line showing of parts of the drawings is included for the purpose of illustrating use and environment and forms no part of the claimed design.

**1 Claim, 2 Drawing Sheets**



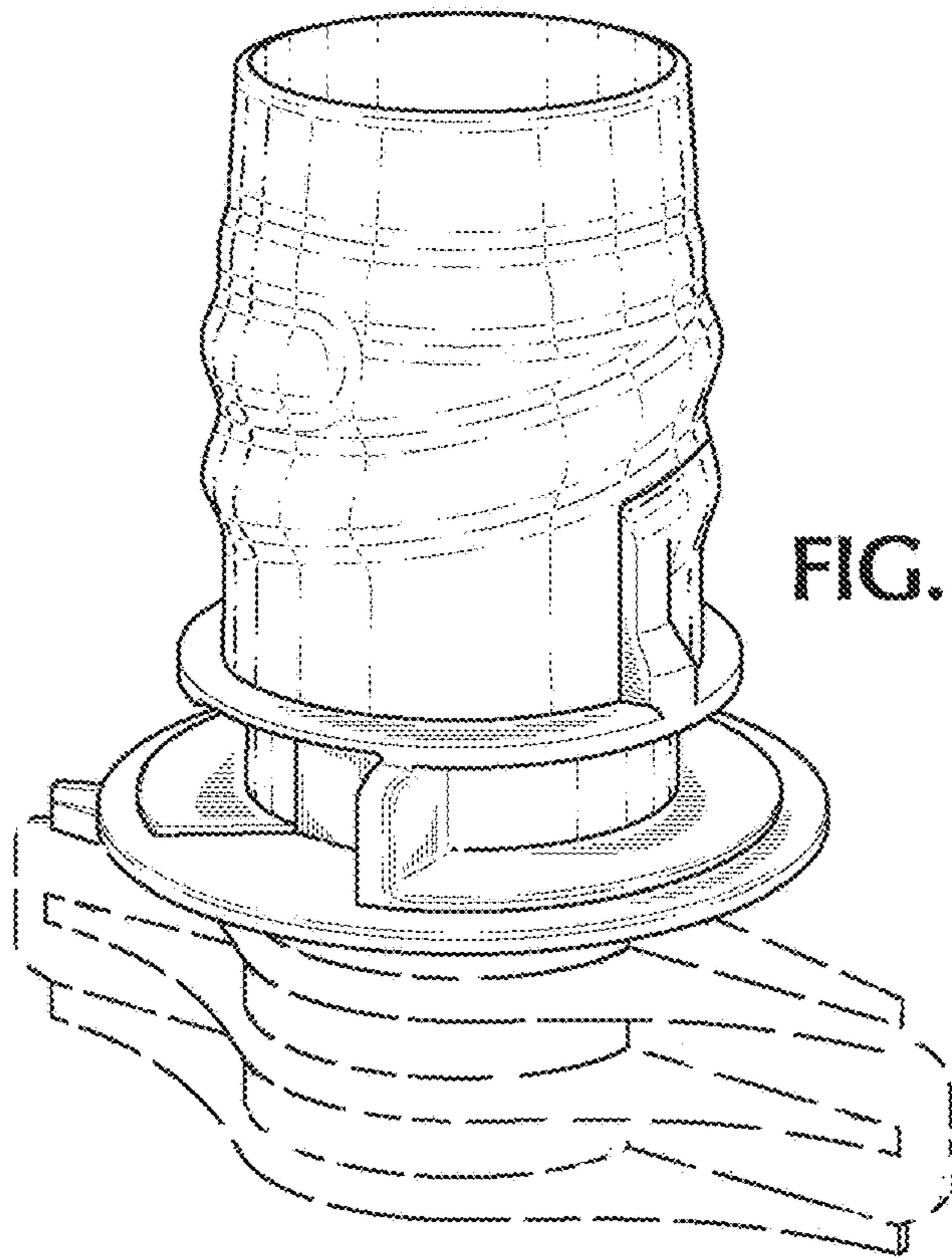


FIG. 1

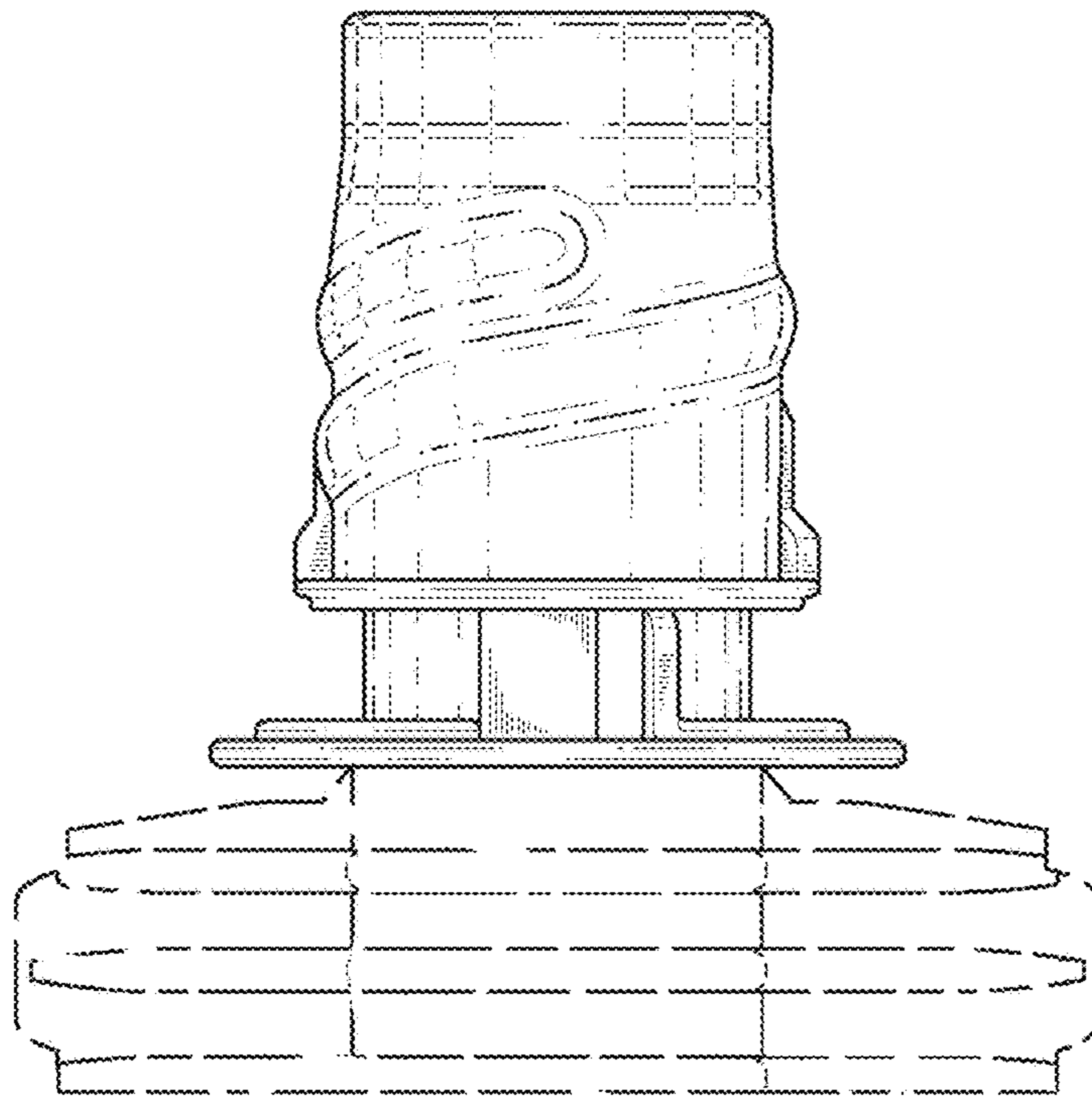


FIG. 2

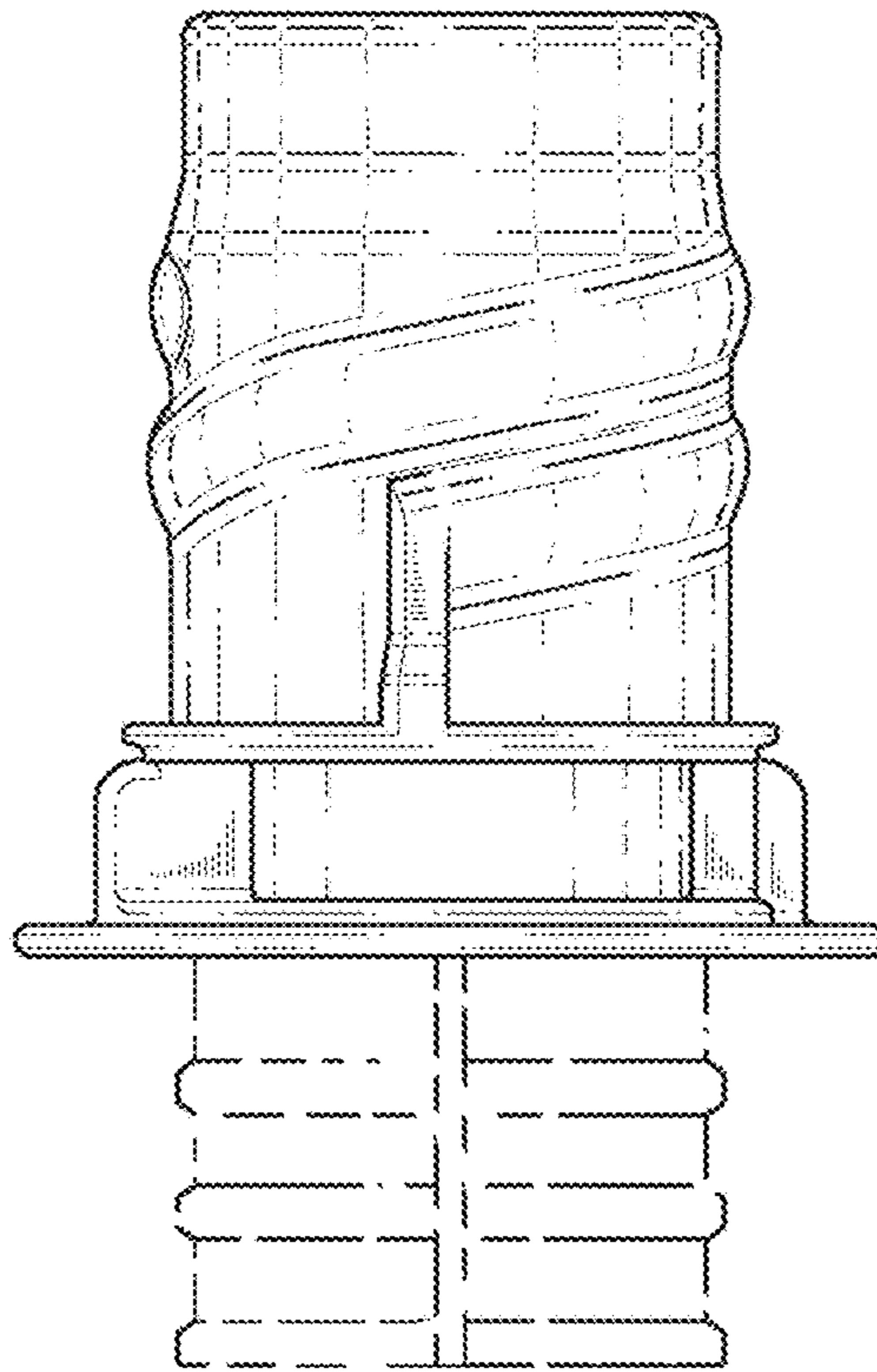


FIG. 3

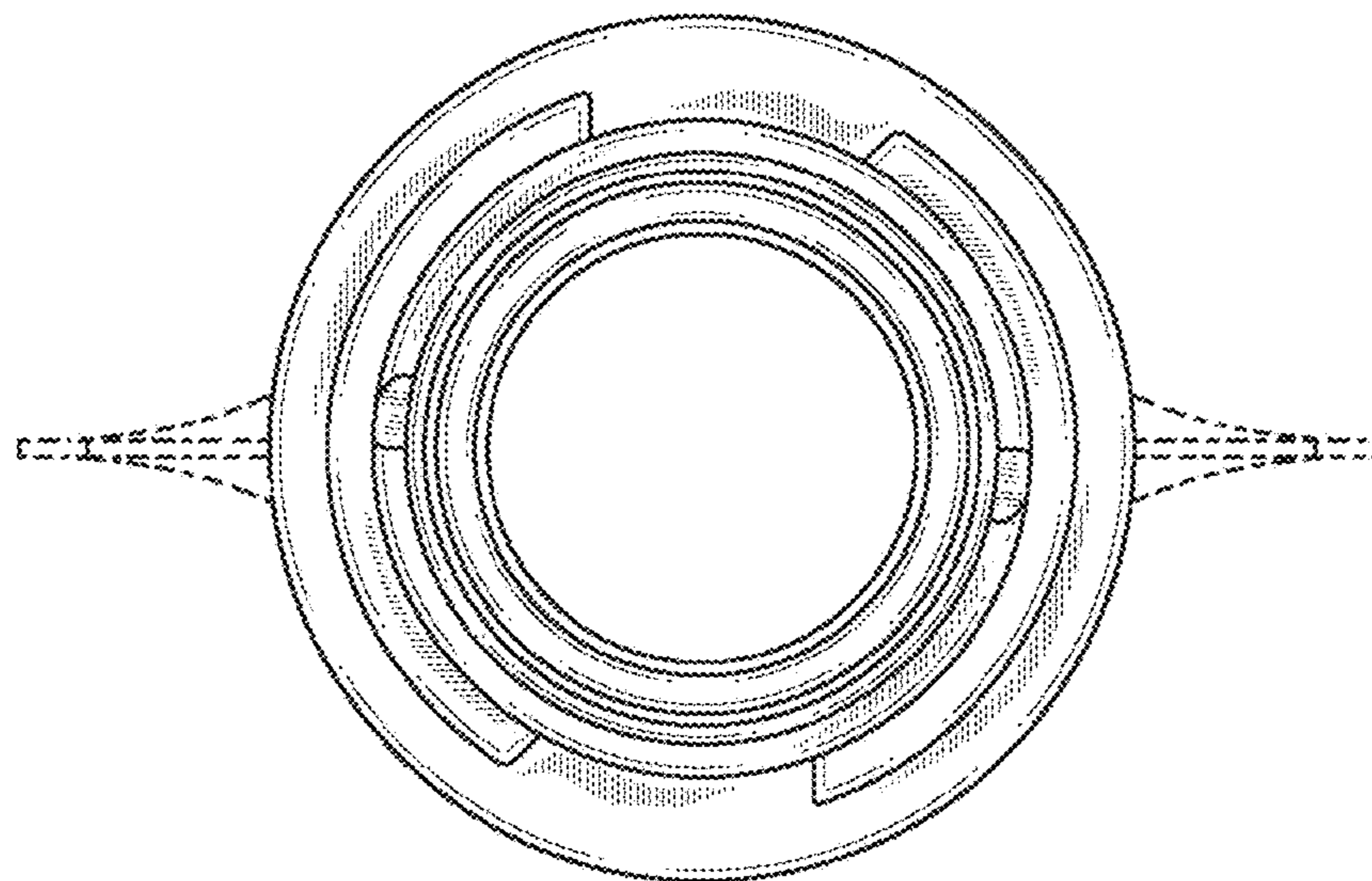


FIG. 4