



US00D842456S

(12) **United States Design Patent** (10) **Patent No.:** **US D842,456 S**
Miller et al. (45) **Date of Patent:** **** Mar. 5, 2019**

(54) **AIRWAY DEVICE**
(71) Applicants: **INTERSURGICAL AG**, Vaduz (LI);
Muhammed Aslam Nasir, Caddington,
Bedfordshire (GB)
(72) Inventors: **Andrew Neil Miller**, Crowthorne (GB);
Jane Elizabeth Kemp, Bristol (GB);
Muhammed Aslam Nasir, Caddington
(GB)

(73) Assignees: **INTERSURGICAL AG** (LI);
Muhammed Aslam Nasir (GB)

(**) Term: **15 Years**

(21) Appl. No.: **29/548,655**

(22) Filed: **Dec. 15, 2015**

(51) **LOC (11) Cl.** **29-02**

(52) **U.S. Cl.**
USPC **D24/110.5**

(58) **Field of Classification Search**
USPC D24/110.1, 110.4, 110.6, 127, 129, 110,
D24/110.5
CPC A61M 16/0409; A61M 16/04; A61M
16/0447; A61M 16/0415; A61M 16/0488;
A61M 16/0463; A61M 16/0434; A61M
16/0411

See application file for complete search history.

(56) **References Cited**

U.S. PATENT DOCUMENTS

| | | | |
|-------------|---------|---------------|--------------|
| 478,582 A | 7/1892 | Ermold | 128/207.14 |
| 2,099,127 A | 11/1937 | Leech | 128/207.15 |
| 3,443,564 A | 5/1969 | Oehmig | 128/351 |
| 3,616,799 A | 11/1971 | Sparks | 128/351 |
| 3,734,100 A | 5/1973 | Walker et al. | 128/351 |
| 3,968,800 A | 7/1976 | Vilasi | 128/343 |
| 3,995,643 A | 12/1976 | Merav | 128/351 |
| 4,509,514 A | 4/1985 | Brain | 128/207.15 |
| 4,913,139 A | 4/1990 | Ballew | A61M 16/0488 |

| | | | |
|-------------|---------|---------------|------------|
| 4,919,126 A | 4/1990 | Baildon | 128/207.14 |
| 4,995,388 A | 2/1991 | Brain | 128/207.15 |
| 5,054,483 A | 10/1991 | Marten et al. | 128/207.14 |
| 5,174,283 A | 12/1992 | Parker | 128/200.26 |
| 5,181,505 A | 1/1993 | Lew | 128/200.26 |
| 5,241,956 A | 9/1993 | Brain | 128/207.15 |
| 5,249,571 A | 10/1993 | Brain | 128/207.14 |
| 5,259,371 A | 11/1993 | Tonrey | 128/200.26 |

(Continued)

FOREIGN PATENT DOCUMENTS

| | | | |
|----|------------|--------|------------|
| AU | B-52036/90 | 9/1990 | A61M 16/04 |
| AU | B-45803/93 | 2/1994 | A61M 16/04 |

(Continued)

OTHER PUBLICATIONS

Great Britain Combined Search and Examination Report issued in application No. GB1322330.0, dated May 20, 2015 (8 pgs).

(Continued)

Primary Examiner — Karen E Kearney

Assistant Examiner — Lilyana Bekic

(74) *Attorney, Agent, or Firm* — Hayes Soloway P.C.

(57) **CLAIM**

The ornamental design for an airway device, as shown and described.

DESCRIPTION

FIG. 1 is a top perspective view of an airway device showing our new design;

FIG. 2 is a bottom perspective view thereof;

FIG. 3 is a top plan view thereof;

FIG. 4 is a bottom plan view thereof;

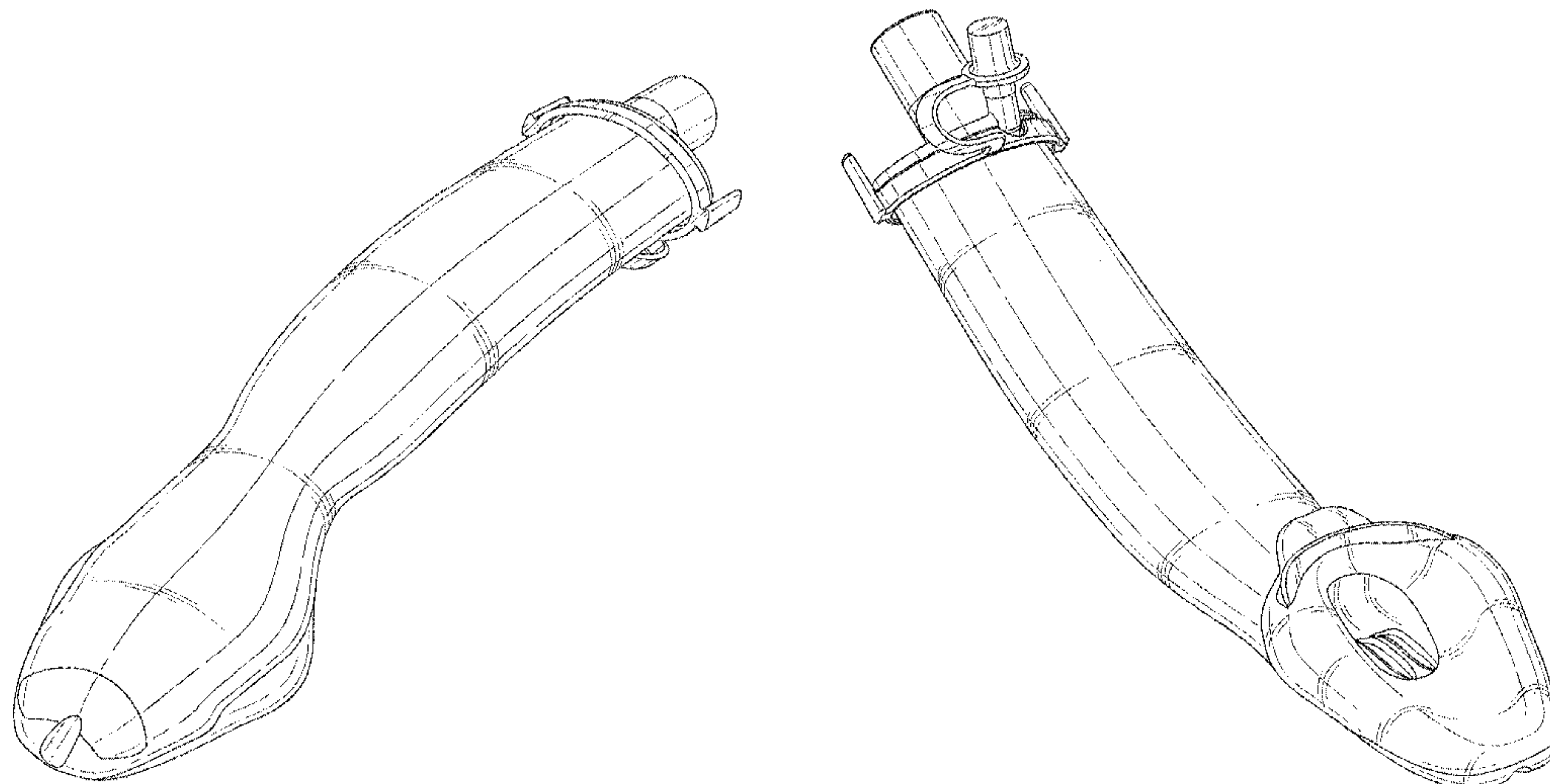
FIG. 5 is a right side elevational view thereof;

FIG. 6 is a left side elevational view thereof;

FIG. 7 is a front perspective view thereof; and,

FIG. 8 is a rear perspective view thereof.

1 Claim, 8 Drawing Sheets



(56)

References Cited

U.S. PATENT DOCUMENTS

| | | | | | | | |
|--------------|---------|------------------|------------|-------------------|---------|--------------------|------------|
| 5,282,464 A | 2/1994 | Brain | 128/207.15 | 7,263,998 B2 | 9/2007 | Miller | 128/207.15 |
| 5,285,778 A | 2/1994 | Mackin | 128/207.15 | RE39,938 E | 12/2007 | Brain | 128/207.15 |
| 5,297,547 A | 3/1994 | Brain | 128/207.15 | 7,305,985 B2 | 12/2007 | Brain | 128/200.26 |
| 5,303,697 A | 4/1994 | Brain | 128/200.26 | 7,357,845 B2 | 4/2008 | Cook | 156/242 |
| 5,305,743 A | 4/1994 | Brain | 128/207.15 | 7,506,648 B2 | 3/2009 | Brain | 128/207.15 |
| 5,309,906 A | 5/1994 | LaBombard | 128/207.14 | D611,138 S | 3/2010 | Nasir | D24/110.5 |
| 5,322,062 A | 6/1994 | Servas | 128/207.14 | D615,188 S | 5/2010 | Nasir | D24/110.5 |
| 5,339,805 A | 8/1994 | Parker | 128/200.26 | D618,788 S | 6/2010 | Dubach | D24/110.5 |
| 5,355,879 A | 10/1994 | Brain | 128/207.15 | 7,762,261 B1 | 7/2010 | Fortuna | 128/207.14 |
| 5,391,248 A | 2/1995 | Brain | 156/242 | 7,806,119 B2 | 10/2010 | Nasir | 128/205.25 |
| 5,477,851 A | 12/1995 | Callaghan et al. | 128/207.15 | 7,896,007 B2 | 3/2011 | Brain | 128/207.15 |
| 5,584,290 A | 12/1996 | Brain | 128/207.15 | 7,900,632 B2 | 3/2011 | Cook | 128/207.14 |
| 5,605,149 A | 2/1997 | Warters | 128/207.14 | 8,001,964 B2 | 8/2011 | McDonald et al. | 128/200.26 |
| 5,618,267 A | 4/1997 | Palestrant | 605/53 | D650,520 S | 12/2011 | Timmermans | D27/163 |
| 5,623,921 A | 4/1997 | Kinsinger et al. | 128/200.26 | 8,091,242 B2 | 1/2012 | Teys et al. | 30/324 |
| 5,632,271 A | 5/1997 | Brain | 128/207.15 | 8,215,307 B2 | 7/2012 | Nasir | 128/207.15 |
| 5,653,229 A | 8/1997 | Greenberg | 128/207.15 | D665,495 S | 8/2012 | Nasir | D24/110.5 |
| 5,655,519 A | 8/1997 | Alfery | 128/200.26 | D668,759 S * | 10/2012 | Nasir | D24/110 |
| 5,682,880 A | 11/1997 | Brain | 128/207.15 | D693,920 S | 11/2013 | Miller | D24/110.5 |
| 5,711,293 A | 1/1998 | Brain | 128/200.24 | D710,990 S * | 8/2014 | Brain | A61M 16/00 |
| 5,791,341 A | 8/1998 | Bullard | 128/207.15 | | | | |
| 5,853,004 A | 12/1998 | Goodman | 128/207.15 | D716,937 S * | 11/2014 | Brain | D24/110.5 |
| 5,865,176 A | 2/1999 | O'Neil | 128/207.15 | 9,265,905 B2 | 2/2016 | Aslam | 128/207.15 |
| 5,878,745 A | 3/1999 | Brain | 128/207.15 | D791,305 S * | 7/2017 | Poulsen | D24/110.5 |
| 5,881,726 A | 3/1999 | Neame | 128/207.15 | D809,125 S * | 1/2018 | Kheong | D24/110 |
| 5,896,858 A | 4/1999 | Brain | 128/207.15 | 2001/0015207 A1 | 8/2001 | Pagan | 128/207.15 |
| 5,915,383 A | 6/1999 | Pagan | 128/207.15 | 2001/0025641 A1 | 10/2001 | Doane et al. | 128/207.15 |
| 5,921,988 A | 7/1999 | Legrand | 606/87 | 2001/0027793 A1 | 10/2001 | Tielemans | 128/848 |
| 5,937,859 A | 8/1999 | Augustine et al. | 128/207.15 | 2002/0010417 A1 | 1/2002 | Bertram | 604/96.01 |
| 5,937,860 A | 8/1999 | Cook | 128/207.15 | 2002/0010617 A1 | 1/2002 | Hamaguchi et al. | 705/10 |
| 5,964,217 A | 10/1999 | Christopher | 128/200.26 | 2002/0078961 A1 | 6/2002 | Collins | 128/207.15 |
| 5,976,072 A | 11/1999 | Greenberg | 600/120 | 2002/0103472 A1 | 8/2002 | Kramer | 604/507 |
| 5,979,445 A | 11/1999 | Neame et al. | 128/207.15 | 2002/0108610 A1 | 8/2002 | Christopher | 128/200.26 |
| 5,988,167 A | 11/1999 | Kamen | 128/207.15 | 2002/0112728 A1 | 8/2002 | Landuyt | 128/207.15 |
| 6,003,514 A | 12/1999 | Pagan | 128/207.15 | 2002/0170556 A1 | 11/2002 | Gaitini | 128/200.14 |
| 6,055,984 A | 5/2000 | Brain | 128/207.14 | 2003/0037790 A1 | 2/2003 | Brain | 128/207.14 |
| 6,070,581 A | 6/2000 | Augustine et al. | 128/207.15 | 2003/0066532 A1 | 4/2003 | Gobel | 128/207.15 |
| 6,079,409 A | 6/2000 | Brain | 128/200.26 | 2003/0101998 A1 | 6/2003 | Zocca et al. | 128/207.15 |
| D429,811 S | 8/2000 | Bermudez | D24/110.5 | 2003/0136413 A1 | 7/2003 | Brain et al. | 128/207.15 |
| 6,095,144 A | 8/2000 | Pagan | 128/207.15 | 2003/0172925 A1 | 9/2003 | Zocca et al. | 128/202.22 |
| 6,152,136 A | 11/2000 | Pagan | 128/207.15 | 2003/0172933 A1 | 9/2003 | Nimmo | 128/207.14 |
| 6,216,696 B1 | 4/2001 | van den Berg | 128/207.14 | 2004/0020488 A1 | 2/2004 | Kniewasser | 128/204.18 |
| 6,280,675 B1 | 8/2001 | Legrand | 264/262 | 2004/0020491 A1 | 2/2004 | Fortuna | 128/207.15 |
| 6,311,688 B1 | 11/2001 | Augustine et al. | 128/200.26 | 2004/0060564 A1 | 4/2004 | Brain | A61M 16/00 |
| 6,318,367 B1 | 11/2001 | Mongeon | 128/207.15 | 2004/0200479 A1 | 10/2004 | Chang | 128/207.14 |
| 6,422,239 B1 | 7/2002 | Cook | 128/207.15 | 2005/0016529 A1 | 1/2005 | Cook | 128/200.24 |
| 6,439,232 B1 | 8/2002 | Brain | 128/207.15 | 2005/0051173 A1 | 3/2005 | Brain | 128/207.14 |
| 6,474,332 B2 | 11/2002 | Arndt | 128/200.26 | 2005/0051175 A1 | 3/2005 | Brain | 128/207.14 |
| 6,536,437 B1 | 3/2003 | Dragisic | 128/207.18 | 2005/0066975 A1 | 3/2005 | Brain | 128/207.15 |
| 6,604,525 B2 | 8/2003 | Pagan | 128/207.15 | 2005/0081861 A1 | 4/2005 | Nashir | 128/207.14 |
| 6,631,720 B1 | 10/2003 | Brain | 128/207.14 | 2005/0103345 A1 | 5/2005 | Brain | 128/207.15 |
| D482,118 S | 11/2003 | Dave et al. | D24/110 | 2005/0104255 A1 | 5/2005 | Mejlhede et al. | 264/328.1 |
| 6,672,305 B2 | 1/2004 | Parker | 128/200.26 | 2005/0199244 A1 * | 9/2005 | Tateo | A61M 16/04 |
| 6,679,263 B2 | 1/2004 | Luchetti et al. | 128/207.15 | | | | |
| 6,698,430 B2 | 3/2004 | Van Landuyt | 128/207.15 | 2005/0274383 A1 | 12/2005 | Brain | 128/207.15 |
| 6,705,318 B1 | 3/2004 | Brain | 128/207.14 | 2006/0081245 A1 | 4/2006 | Gould | 128/200.26 |
| 6,705,321 B2 | 3/2004 | Cook | 128/207.15 | 2006/0207601 A1 | 9/2006 | Nasir | 128/207.14 |
| 6,705,322 B2 | 3/2004 | Chang | 128/207.15 | 2007/0137651 A1 | 6/2007 | Glassenberg et al. | 128/207.15 |
| 6,792,948 B2 | 9/2004 | Brain | 128/207.14 | 2008/0142017 A1 | 6/2008 | Brain | 128/207.15 |
| 6,799,574 B1 | 10/2004 | Collins | 128/207.15 | 2008/0236590 A1 | 10/2008 | Reissmann | 128/207.14 |
| 6,877,512 B2 | 4/2005 | Imai et al. | 128/207.15 | 2008/0257356 A1 * | 10/2008 | Swick | A61M 16/04 |
| 6,918,388 B2 | 7/2005 | Brain | 128/200.26 | | | | |
| 6,918,391 B1 | 7/2005 | Moore | 128/842 | 2008/0308109 A1 | 12/2008 | Brain | 128/207.14 |
| 6,971,382 B1 | 12/2005 | Corso | 128/200.26 | 2009/0090356 A1 | 4/2009 | Cook | 128/200.26 |
| 7,004,169 B2 | 2/2006 | Brain | 128/207.14 | 2010/0059061 A1 | 3/2010 | Brain | 128/207.14 |
| D518,572 S | 4/2006 | Nasir | D24/110.5 | 2010/0089393 A1 | 4/2010 | Brain | 128/203.12 |
| D518,890 S | 4/2006 | Nasir | D24/110.5 | 2010/0126512 A1 | 5/2010 | Nasir | 128/207.14 |
| 7,040,312 B2 | 5/2006 | Alfery et al. | 128/200.26 | 2010/0147309 A1 | 6/2010 | Cuevas et al. | 128/207.14 |
| 7,040,322 B2 | 5/2006 | Fortuna | 128/207.15 | 2010/0242957 A1 | 9/2010 | Fortuna | 128/202.22 |
| 7,047,973 B2 | 5/2006 | Chang | 128/207.15 | 2011/0226256 A1 | 9/2011 | Dubach | |
| 7,096,868 B2 | 8/2006 | Tateo et al. | 128/207.15 | 2011/0265799 A1 | 11/2011 | Lisogurski | 128/207.15 |
| 7,097,802 B2 | 8/2006 | Brain | 264/255 | 2011/0277772 A1 | 11/2011 | Nasir | 128/207.15 |
| 7,134,431 B2 | 11/2006 | Brain | 128/200.26 | 2012/0024292 A1 | 2/2012 | Sandmore et al. | 128/207.14 |
| 7,140,368 B1 | 11/2006 | Collins | 128/207.14 | 2013/0092172 A1 | 4/2013 | Nasir | 128/207.15 |
| D542,675 S | 5/2007 | Luxton et al. | D9/749 | 2013/0247917 A1 | 9/2013 | Brain | 128/207.15 |
| | | | | 2013/0269689 A1 * | 10/2013 | Brain | A61M 16/04 |
| | | | | | | | 128/200.26 |
| | | | | 2013/0324798 A1 | 12/2013 | Molnar et al. | 600/120 |
| | | | | 2015/0000672 A1 | 1/2015 | Jassell | 128/207.15 |

(56)

References Cited

U.S. PATENT DOCUMENTS

2016/0235934 A1* 8/2016 Poulsen A61M 16/0409
 2016/0331918 A1* 11/2016 Nasir A61M 16/0488
 2018/0221051 A1* 8/2018 Durkin A61B 17/3423

FOREIGN PATENT DOCUMENTS

| | | | | |
|----|----------------|---------|-------|------------|
| AU | 200076743 | 5/2001 | | A61M 16/04 |
| CA | 1 324 551 | 11/1993 | | A61M 16/04 |
| CA | 2 191 749 | 12/1995 | | A61M 16/01 |
| CA | 2 346 248 | 4/2000 | | A61M 16/04 |
| CN | 1 166 138 | 11/1997 | | A61M 16/00 |
| CN | 1 236 326 | 11/1999 | | A61M 16/04 |
| CN | 1 351 509 | 5/2002 | | A61M 16/04 |
| DE | 42 33 933 | 4/1993 | | H02N 2/00 |
| DE | 43 30 032 | 4/1994 | | H02N 2/00 |
| DE | 195 00 550 | 7/1996 | | A61M 16/04 |
| DE | 299 02 267 | 7/1999 | | A61M 16/06 |
| DE | 201 00 176 | 5/2001 | | A61M 16/01 |
| DE | 202 06 692 | 8/2002 | | A61M 16/00 |
| EM | 000067210-0001 | 8/2003 | | A61M 16/04 |
| EM | 000067210-0002 | 8/2003 | | A61M 16/04 |
| EM | 000197124-0001 | 6/2004 | | A61M 16/04 |
| EM | 000197124-0002 | 6/2004 | | A61M 16/04 |
| EM | 000197124-0003 | 6/2004 | | A61M 16/04 |
| EM | 000197124-0004 | 6/2004 | | A61M 16/04 |
| EM | 000197124-0005 | 6/2004 | | A61M 16/04 |
| EM | 000197124-0006 | 6/2004 | | A61M 16/04 |
| EM | 000180757-0001 | 7/2004 | | A61M 16/04 |
| EM | 000482195-0001 | 2/2006 | | A61M 16/04 |
| EM | 000482195-0002 | 2/2006 | | A61M 16/04 |
| EP | 0 277 797 | 8/1988 | | A61M 16/04 |
| EP | 0 389 272 | 9/1990 | | A61M 16/04 |
| EP | 0 448 878 | 10/1991 | | A61M 16/04 |
| EP | 0 586 717 | 3/1994 | | A61M 16/04 |
| EP | 0 794 807 | 9/1997 | | A61M 16/00 |
| EP | 0 834 331 | 8/1998 | | A61M 16/04 |
| EP | 0 857 492 | 8/1998 | | A61M 16/04 |
| EP | 0 875 260 | 11/1998 | | A61M 16/04 |
| EP | 0 884 061 | 12/1998 | | A61M 16/04 |
| EP | 0 911 049 | 4/1999 | | A61M 16/04 |
| EP | 0 935 971 | 8/1999 | | A61M 16/04 |
| EP | 1 125 595 | 8/2001 | | A61M 16/04 |
| EP | 1504870 | 2/2005 | | A61M 16/04 |
| EP | 1 579 885 | 9/2005 | | A61M 16/04 |
| EP | 1220701 | 3/2007 | | A61M 16/04 |
| EP | 1169077 | 12/2007 | | A61M 16/04 |
| EP | 1 875 937 | 1/2008 | | A61M 16/04 |
| ES | 1 046 206 | 1/2000 | | A61M 25/00 |
| FR | 2 094 264 | 1/1972 | | C07C 31/00 |
| FR | 2 690 018 | 10/1993 | | H02N 2/00 |
| FR | 2 760 186 | 9/1998 | | A61F 2/30 |
| FR | 2 807 307 | 10/2001 | | A47J 37/06 |
| FR | 2 827 482 | 1/2003 | | A24B 1/10 |
| FR | 2 851 107 | 8/2004 | | H04M 11/06 |
| GB | 1 402 255 | 8/1975 | | A61M 25/00 |
| GB | 2 113 348 | 8/1983 | | B06B 1/16 |
| GB | 2 128 561 | 5/1984 | | B60R 19/54 |
| GB | 2 168 256 | 6/1986 | | A61M 16/04 |
| GB | 2 337 020 | 11/1990 | | B29D 31/00 |
| GB | 2 249 959 | 5/1992 | | A61M 16/04 |
| GB | 2 267 034 | 11/1993 | | A61M 25/02 |
| GB | 2 285 765 | 7/1995 | | A61M 16/04 |
| GB | 2 317 342 | 3/1998 | | A61M 16/04 |
| GB | 2 319 182 | 5/1998 | | A61M 16/04 |
| GB | 2 323 292 | 9/1998 | | A61M 16/04 |
| GB | 2 326 009 | 12/1998 | | A61M 16/04 |
| GB | 2 330 312 | 4/1999 | | A61M 16/04 |
| GB | 2 359 996 | 9/2001 | | A61M 16/04 |
| GB | 2 364 644 | 2/2002 | | A61M 16/04 |
| GB | 2 373 188 | 9/2002 | | A61M 16/04 |
| GB | 2 393 399 | 3/2004 | | A61M 16/04 |
| GB | 2 404 863 | 2/2005 | | A61M 16/04 |
| GB | 2 413 963 | 11/2005 | | A61M 16/04 |
| GB | 2438799 | 12/2007 | | A61M 16/04 |
| GB | 2 465 453 | 5/2010 | | A61M 16/04 |

| | | | | |
|----|----------------|---------|-------|--------------|
| GB | 2479823 | 10/2011 | | A61M 16/12 |
| GB | 2481538 | 12/2011 | | A61M 16/04 |
| GB | 2521375 | 6/2015 | | A61M 16/04 |
| GB | 2546167 | 7/2017 | | A61M 16/04 |
| IE | 922073 | 12/1993 | | A61M 16/00 |
| IT | 1224077 | 9/1990 | | A61M 16/04 |
| JP | 3-236858 | 10/1991 | | A61M 16/04 |
| JP | 6/277286 | 10/1994 | | A61M 16/04 |
| JP | 2706567 | 1/1998 | | A61B 1/00 |
| JP | 2007-509154 | 4/2007 | | A61K 31/4409 |
| TW | 224047 | 11/2004 | | B29C 45/76 |
| WO | WO91/12844 | 9/1991 | | A61M 16/04 |
| WO | WO 94/17848 | 8/1994 | | A61M 16/04 |
| WO | WO 95/09665 | 4/1995 | | A61M 16/04 |
| WO | WO 97/12640 | 4/1997 | | A61M 16/00 |
| WO | WO 98/06276 | 2/1998 | | A23L 1/30 |
| WO | WO 98/24498 | 6/1998 | | A61M 16/04 |
| WO | WO 98/50096 | 11/1998 | | A61M 16/00 |
| WO | WO 99/24101 | 5/1999 | | A61M 16/00 |
| WO | WO 99/44665 | 9/1999 | | A61M 16/04 |
| WO | WO 00/09189 | 2/2000 | | A61M 16/04 |
| WO | WO 00/30706 | 6/2000 | | A61M 16/04 |
| WO | WO 00/61213 | 10/2000 | | A61M 16/04 |
| WO | WO0112844 | 2/2001 | | C12Q 1/34 |
| WO | WO 01/13980 | 3/2001 | | A61M 16/04 |
| WO | WO2011131974 | 10/2001 | | A61M 16/04 |
| WO | WO 0197890 | 12/2001 | | A61M 16/00 |
| WO | WO 02/32490 | 4/2002 | | A61M 16/04 |
| WO | WO 03/020340 | 3/2003 | | A61M 16/04 |
| WO | WO 03018094 | 3/2003 | | A61M 16/04 |
| WO | WO 2004/016308 | 2/2004 | | A61M 16/04 |
| WO | WO2004/089453 | 10/2004 | | A61M 16/04 |
| WO | WO 2005/016427 | 2/2005 | | A61M 16/04 |
| WO | WO 2005/041864 | 5/2005 | | A61K 31/415 |
| WO | WO2005099800 | 10/2005 | | A61M 16/04 |
| WO | WO 2006/125986 | 11/2006 | | A61M 16/04 |
| WO | WO 2009/129081 | 10/2009 | | A61M 16/04 |
| WO | WO2009142821 | 11/2009 | | A61B 1/31 |
| WO | WO 2011161473 | 12/2011 | | A61M 16/04 |
| WO | WO2014058840 | 4/2014 | | A61M 16/00 |
| WO | WO2014159522 | 10/2014 | | A61M 16/04 |
| WO | WO2015092404 | 6/2015 | | A61M 16/04 |

OTHER PUBLICATIONS

Great Britain Combined Search and Examination Report issued in application No. GB1322328.4, dated Feb. 26, 2015 (8 pgs).
 International Preliminary Report on Patentability issued in application No. PCT/GB2014/053744, dated Jun. 21, 2016 (9 pgs).
 International Preliminary Report on Patentability issued in application No. PCT/GB2014/053745, dated Jun. 21, 2016 (9 pgs).
 International Search Report and Written Opinion issued in application No. PCT/GB2014/053745, dated Mar. 11, 2015 (14 pgs).
 International Search Report and Written Opinion issued in application No. PCT/GB2014/053744, dated Jul. 14, 2015 (15 pgs).
 Office Action issued in U.S. Appl. No. 14/375,109, dated Aug. 10, 2016 (49 pgs).
 Great Britain Combined Search and Examination Report Issued in Corresponding Application No. GB1621321.7, Dated May 4, 2017 (5 Pages).
 Great Britain Examination Report Issued in Corresponding Application No. GB1322330.0, Dated Mar. 8, 2016 (3 pages).
 European Patent Office Examination Report Issued in Corresponding Application No. 14824070.8, Dated Apr. 24, 2017 (9 pages).
 Official Action issued in U.S. Appl. No. 14/375,109, dated Jun. 23, 2017 (10 pgs).
 Office Action issued in U.S. Appl. No. 12/627,844, dated May 5, 2016 (33 pgs).
 Notice of Allowance issued in U.S. Appl. No. 14/315,149, dated Aug. 30, 2016 (16 pgs).
 Office Action issued in U.S. Appl. No. 14/375,109, dated Nov. 7, 2016 (17 pgs).
 Office Action issued in U.S. Appl. No. 12/627,844, dated Jan. 27, 2017 (28 pgs).
 U.S. Appl. No. 10/983,199, filed Nov. 5, 2004.
 U.S. Appl. No. 10/568,362, filed Feb. 14, 2006.

(56)

References Cited

OTHER PUBLICATIONS

- U.S. Appl. No. 12/627,844, filed Nov. 30, 2009.
- U.S. Appl. No. 29/353,658, filed Jan. 12, 2010.
- U.S. Appl. No. 12/680,731, filed Mar. 29, 2010.
- U.S. Appl. No. 12/859,169, filed Aug. 18, 2010.
- U.S. Appl. No. 13/130,555, filed May 20, 2011.
- U.S. Appl. No. 29/402,009, filed Sep. 19, 2011.
- U.S. Appl. No. 29/407,461, filed Nov. 29, 2011.
- U.S. Appl. No. 13/403,806, filed Feb. 23, 2012.
- U.S. Appl. No. 29/416,561, filed Mar. 23, 2012.
- U.S. Appl. No. 29/428,284, filed Jul. 27, 2012.
- U.S. Appl. No. 13/805,956, filed Dec. 20, 2012.
- U.S. Appl. No. 29/449,900, filed Mar. 15, 2013.
- U.S. Appl. No. 29/475,489, filed Dec. 3, 2013.
- U.S. Appl. No. 14/315,141, filed Jun. 25, 2014.
- U.S. Appl. No. 14/315,149, filed Jun. 25, 2014.
- U.S. Appl. No. 14/375,109, filed Jul. 28, 2014.
- U.S. Appl. No. 29/512,931, filed Dec. 23, 2014.
- U.S. Appl. No. 29/512,932, filed Dec. 23, 2014.
- U.S. Appl. No. 12/627,844, filed Nov. 30, 2009, Nasir.
- U.S. Appl. No. 29/428,284, filed Jul. 27, 2012, Nasir et al.
- U.S. Appl. No. 13/805,956, filed Dec. 20, 2012, Nasir et al.
- U.S. Appl. No. 14/315,149, filed Jun. 25, 2014, Nasir.
- U.S. Appl. No. 14/375,109, filed Jul. 28, 2014, Jassell et al.
- U.S. Appl. No. 29/512,931, filed Dec. 23, 2014, Nasir et al.
- U.S. Appl. No. 29/512,932, filed Dec. 23, 2014, Nasir et al.
- “The Development of the Laryngeal Mask—a Brief History of the Invention, Early Clinical Studies and Experimental Work from Which the Laryngeal Mask Evolved” A.I.J. Brain, *European Journal of Anesthesiology*, 1991, Supplement 4, pp. 5-17.
- Combined Search and Examination Report issued in corresponding application No. GB1110775.2, dated Oct. 18, 2011 (8 pgs).
- Combined Search and Examination Report issued in corresponding application No. GB0718849.3, dated Oct. 29, 2007 (4 pgs).
- Combined Search and Examination Report issued in corresponding application No. GB0502519.2, dated Sep. 13, 2005 (6 pgs).
- Combined Search and Examination Report issued in corresponding application No. GB1019839.8, dated Dec. 1, 2010 (2 pgs).
- Combined Search and Examination Report issued in corresponding application No. GB 0418050.1, dated Nov. 29, 2004 (7 pgs).
- Combined Search and Examination Report issued in related application No. GB1301478.2, dated May 23, 2013 (5 pgs).
- Examination Report issued in corresponding application No. 09 756 353.0-1257, dated Aug. 17, 2012 (5 pgs).
- Extended European Search Report and Written Opinion issued in corresponding EPO application No. 07019251.3, dated Feb. 1, 2008 (8 pgs).
- First Office Action issued in corresponding Chinese application No. 200480023382.4, dated Aug. 22, 2008 (15 pgs).
- International Search Authority issued in corresponding PCT application PCT/GB03/03577 dated, Dec. 9, 2003 (5 pgs).
- International Search Report and Written Opinion issued in Applicant’s corresponding UK Patent Application Serial No. GB0817776.8, dated Jan. 8, 2009 (6 pgs).
- International Search Report and Written Opinion issued in corresponding application No. PCT/GB2011/051203, dated Jul. 12, 2011 (14 pgs).
- International Search Report and Written Opinion issued in corresponding application No. PCT/GB2011/051203, dated Dec. 7, 2011 (15 pgs).
- International Search Report and Written Opinion issued in corresponding PCT application No. PCT /GB2009/051574, dated Jun. 7, 2010 (28 pgs).
- International Search Report and Written Opinion issued in related application No. PCT/GB2013/050180, dated May 7, 2013 (13 pgs).
- International Search Report issued in corresponding PCT application PCT/GB03/03577 dated Aug. 14, 2003 (9 pgs).
- Invitation to Pay Additional Fees with International Search Report issued in corresponding application No. PCT/GB2004/003481, dated Nov. 12, 2004 (8 pgs).
- Japanese Office Action (no translation) issued in related application No. 2012-38633, dated Apr. 23, 2013 (2 pgs).
- Letter from IP Australia regarding third party application for re-examination dated Sep. 21, 2011 involving corresponding application No. 2008207412 (2 pgs).
- Notice for Reasons for Rejection issued in corresponding Japanese application No. 2006/523053, dated Nov. 8, 2010, with English translation (4 pgs).
- Notice of Allowance issued in U.S. Appl. No. 13/805,956, dated Dec. 21, 2015 (26 pgs).
- Notice of Allowance issued in U.S. Appl. No. 14/315,141, dated Nov. 13, 2015 (36 pgs).
- Notice of Allowance issued in U.S. Appl. No. 14/315,149, dated Mar. 11, 2016 (42 pgs).
- Notice of Allowance issued in U.S. Appl. No. 29/428,284, dated Mar. 8, 2016 (17 pgs).
- Notice of Allowance issued in related U.S. Appl. No. 13/403,806, dated Mar. 12, 2014 (16 pgs).
- Notice of Allowance issued in related U.S. Appl. No. 29/416,561, dated May 9, 2014 (7 pgs).
- Notice of Allowance issued in related U.S. Appl. No. 29/449,900, dated Jul. 24, 2013 (11 pgs).
- Notice of Allowance issued in related U.S. Appl. No. 29/407,461, dated Jun. 12, 2013 (26 pgs).
- Office Action issued in U.S. Appl. No. 12/627,844, dated Sep. 17, 2015 (26 pgs).
- Office Action issued in U.S. Appl. No. 29/353,658 dated Aug. 19, 2011 (10 pgs).
- Office Action issued in U.S. Appl. No. 29/428,284, dated Mar. 19, 2015 (6 pgs).
- Office Action issued in U.S. Appl. No. 29/428,284, dated Nov. 10, 2015 (5 pgs).
- Office Action issued in U.S. Appl. No. 29/512,931, dated Mar. 8, 2016 (8 pgs).
- Office Action issued in U.S. Appl. No. 29/512,931, dated Nov. 23, 2015 (20 pgs).
- Office Action issued in U.S. Appl. No. 29/512,932, dated Mar. 8, 2016 (8 pgs).
- Office Action issued in U.S. Appl. No. 29/512,932, dated Nov. 19, 2015 (19 pgs).
- Office Action issued in related U.S. Appl. No. 12/627,844, dated Feb. 28, 2014 (22 pgs).
- Office Action issued in related U.S. Appl. No. 12/627,844, dated Oct. 23, 2014 (38 pgs).
- Office Action issued in related U.S. Appl. No. 13/130,555, dated Jun. 20, 2014 (36 pgs).
- Office Action issued in related U.S. Appl. No. 13/403,806, dated Apr. 25, 2013 (6 pgs).
- Office Action issued in related U.S. Appl. No. 13/403,806, dated Aug. 15, 2013 (45 pgs).
- Office Action issued in related U.S. Appl. No. 29/428,284, dated Oct. 6, 2014 (66 pgs).
- Office Action issued in related U.S. Appl. No. 29/475,489, dated Jun. 20, 2014 (25 pgs).
- Office Action issued in related U.S. Appl. No. 29/475,489, dated Dec. 4, 2014 (13 pgs).
- PCT International Search Report, PCT Application Serial No. PCT/GB2008/050880, dated Jan. 14, 2009 (20 pgs).
- UK Search Report issued in corresponding application No. GB1110775.2, dated Oct. 18, 2011 (8 pgs).
- U.S. Official Action dated Feb. 14, 2013, issued in U.S. Appl. No. 29/407,461 (21 pgs).
- U.S. Appl. No. 15/106,239, filed Jun. 17, 2016.
- U.S. Appl. No. 15/106,243, filed Jun. 17, 2016.
- U.S. Appl. No. 15/106,239, filed Jun. 17, 2016, Nasir et al.
- U.S. Appl. No. 15/106,243, filed Jun. 17, 2016, Nasir et al.
- Great Britain Combined Search and Examination Report issued in application No. GB1800914.2, dated Feb. 2, 2018 (6 pgs).
- Notice of Allowance issued in U.S. Appl. No. 14/375,109, dated Feb. 9, 2018 (8 pgs).

(56)

References Cited

OTHER PUBLICATIONS

Office Action issued in U.S. Appl. No. 14/375,109, dated Dec. 15, 2017 (17 pgs).

* cited by examiner

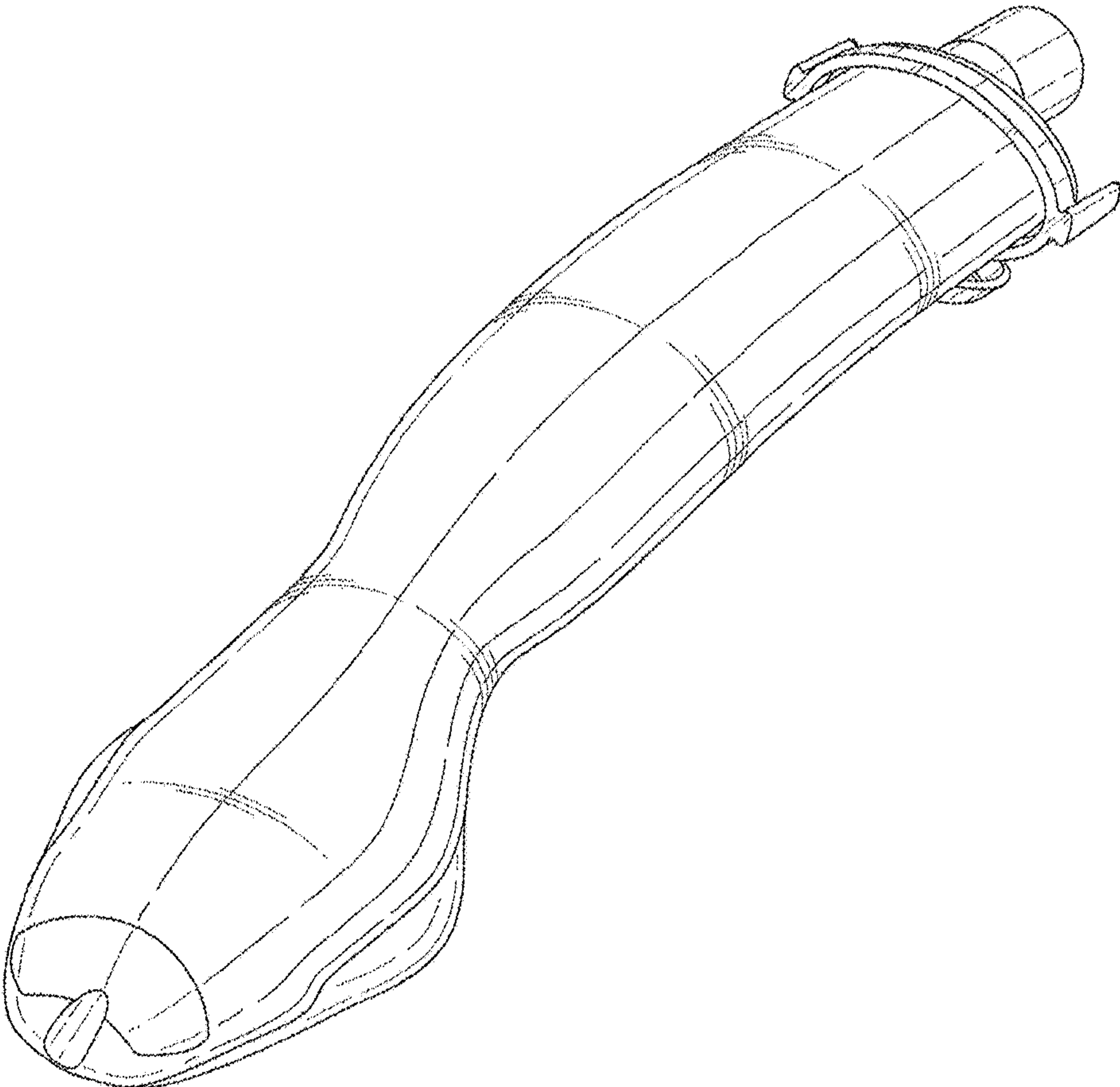


FIG. 1

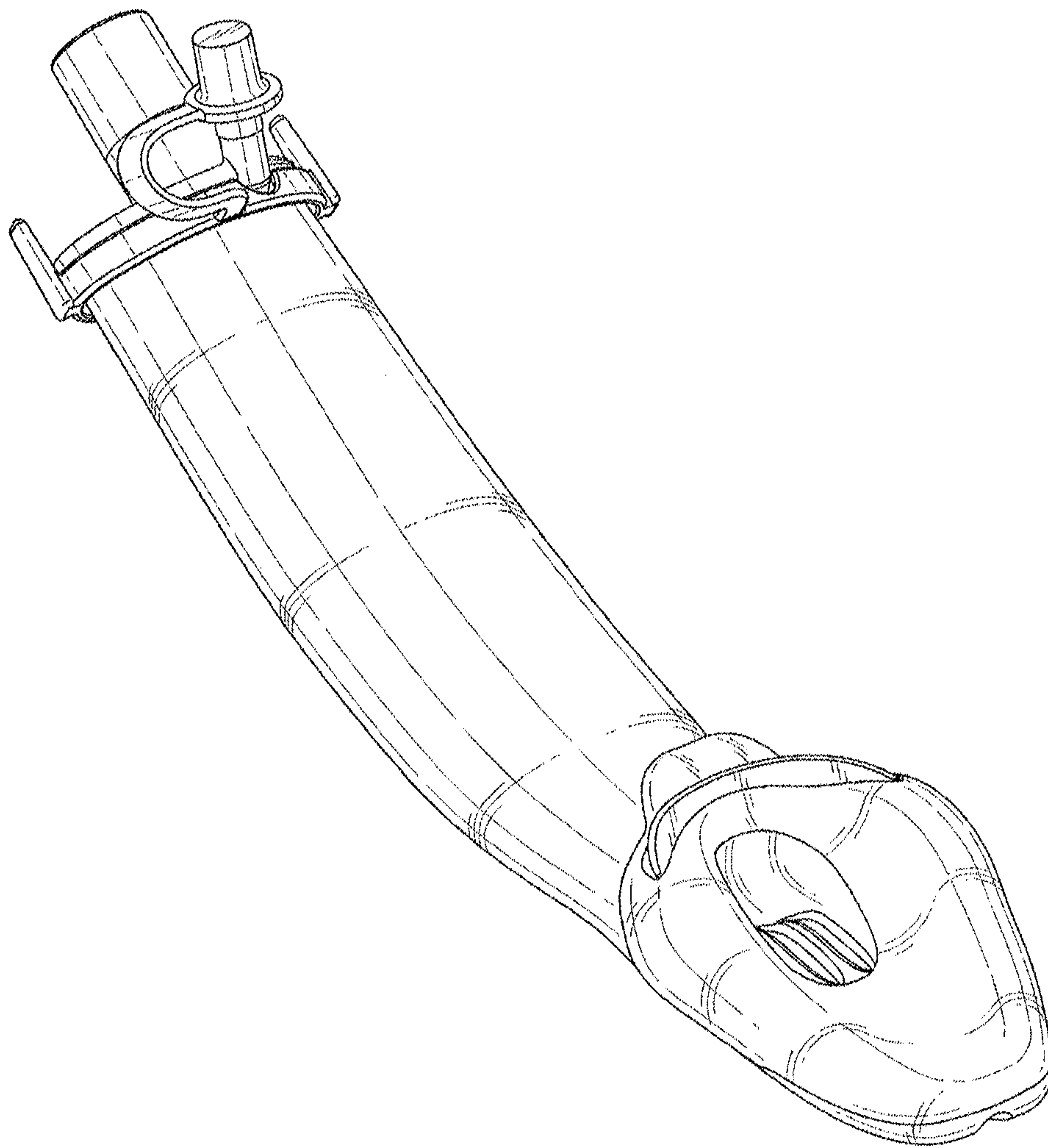


FIG. 2

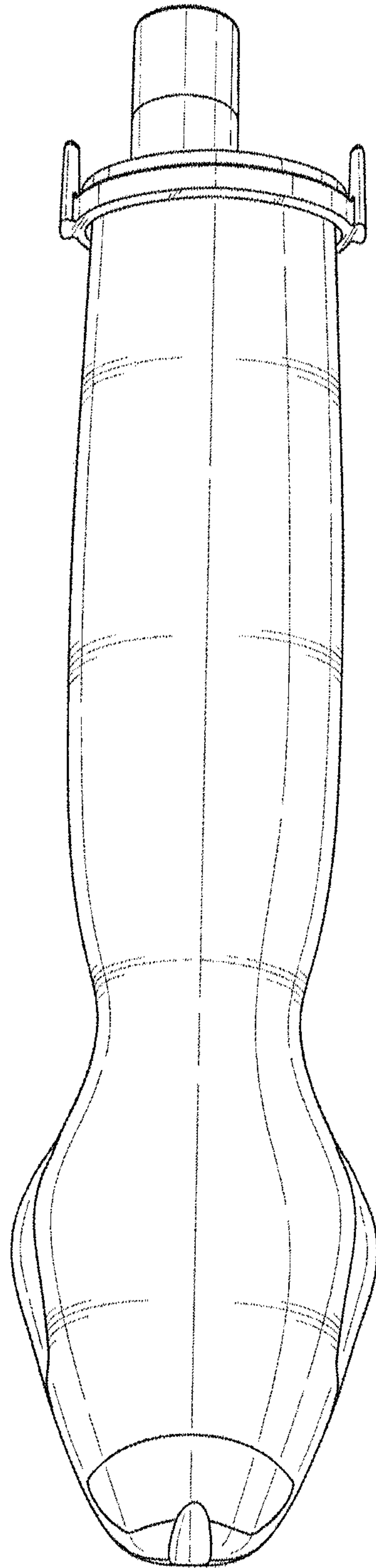


FIG. 3

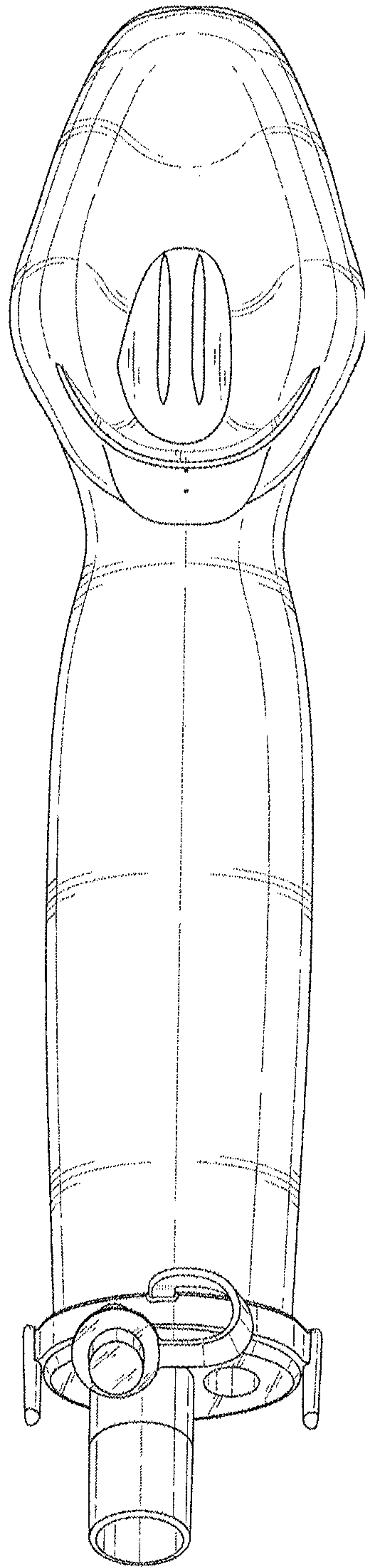


FIG. 4

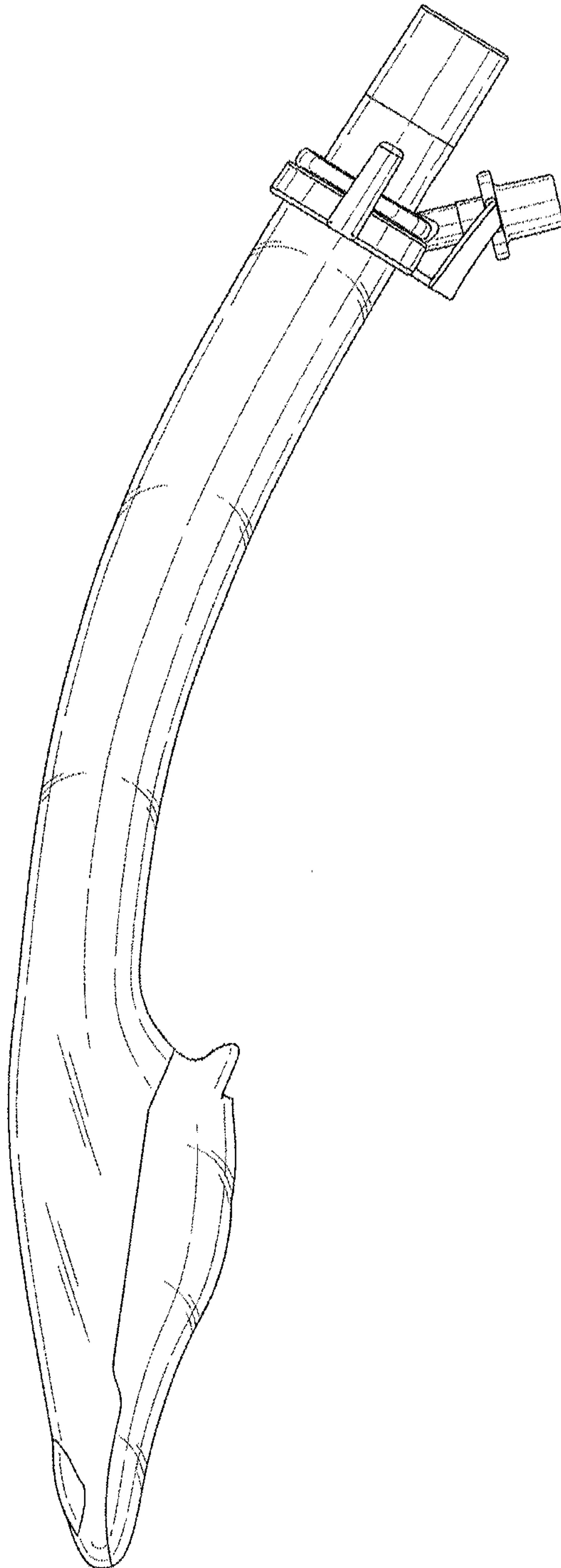


FIG. 5

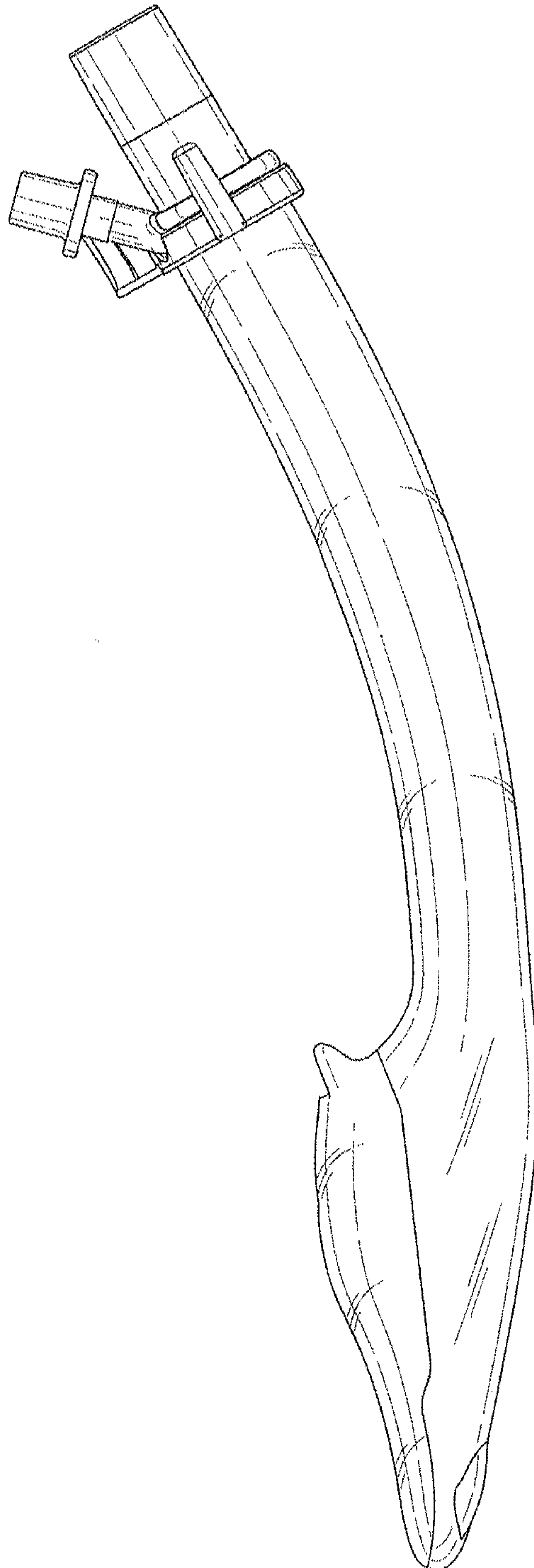


FIG. 6

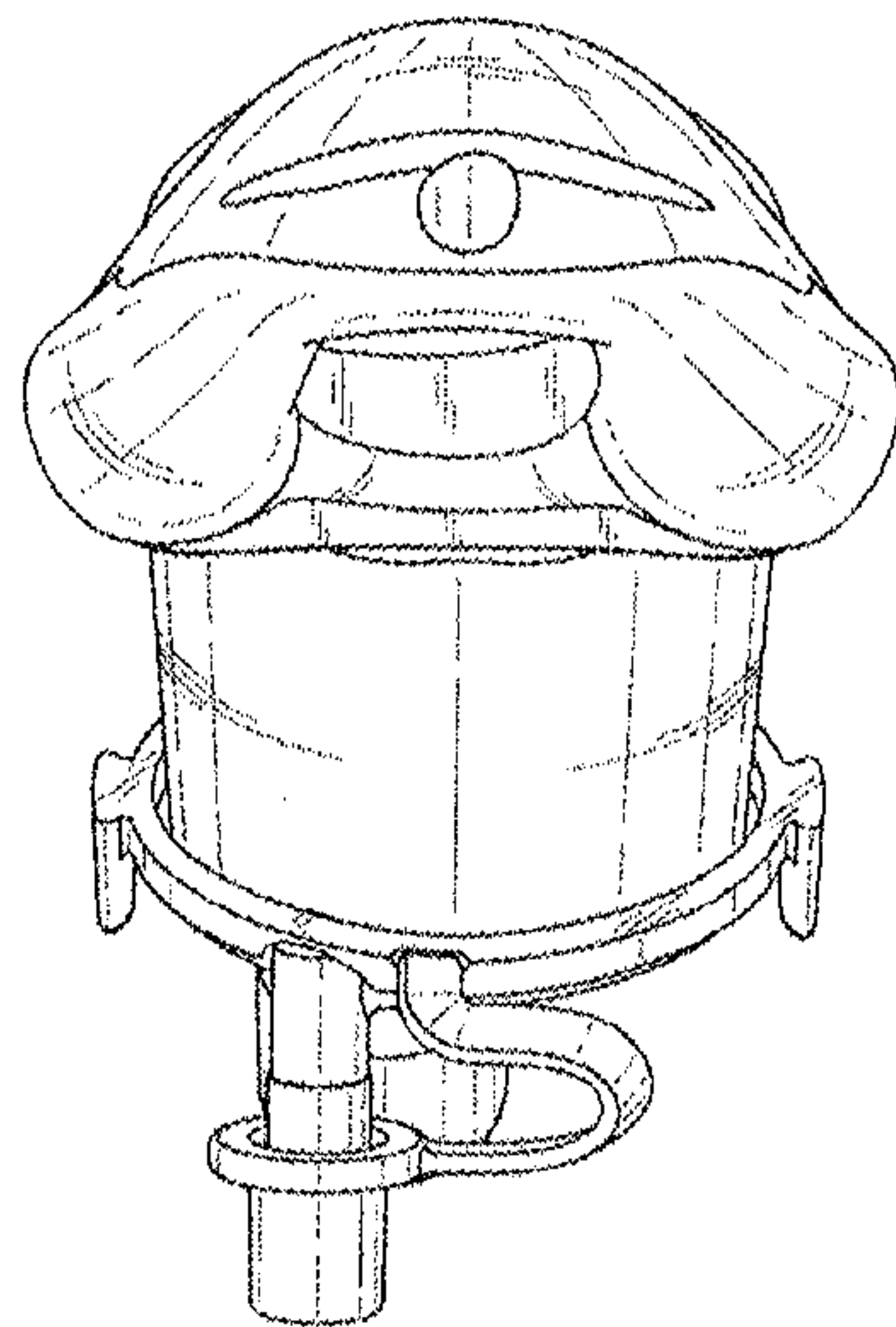


FIG. 7

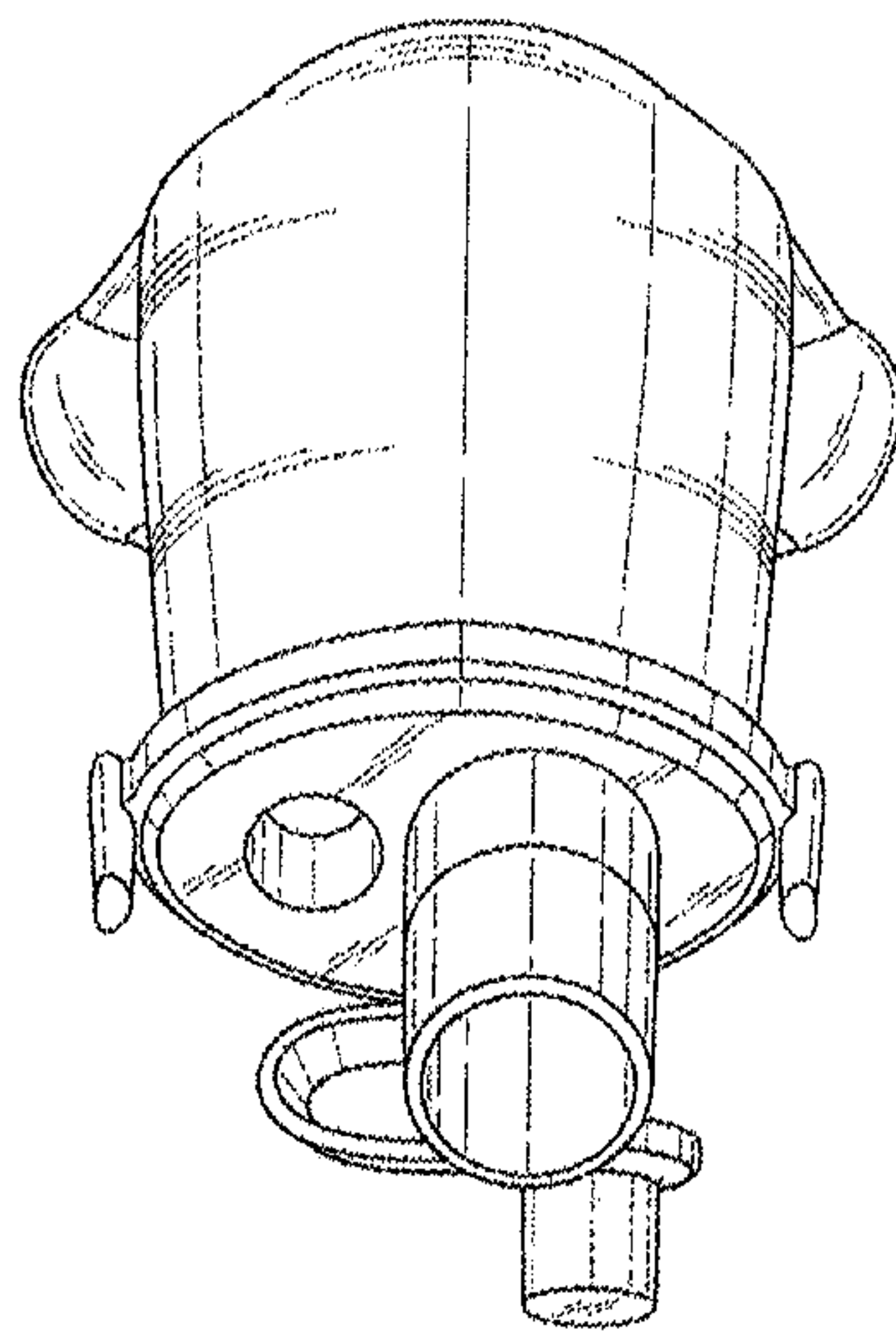


FIG. 8

UNITED STATES PATENT AND TRADEMARK OFFICE
CERTIFICATE OF CORRECTION

PATENT NO. : D842,456 S
APPLICATION NO. : 29/548655
DATED : March 5, 2019
INVENTOR(S) : Andrew Neil Miller, Jane Elizabeth Kemp and Muhammed Aslam Nasir

Page 1 of 1

It is certified that error appears in the above-identified patent and that said Letters Patent is hereby corrected as shown below:

On the Title Page

Insert:

--(30) Foreign Application Priority Data

July 8, 2019 (EM).....002604286--

Signed and Sealed this
Fifteenth Day of September, 2020



Andrei Iancu
Director of the United States Patent and Trademark Office

UNITED STATES PATENT AND TRADEMARK OFFICE
CERTIFICATE OF CORRECTION

PATENT NO. : D842,456 S
APPLICATION NO. : 29/548655
DATED : March 5, 2019
INVENTOR(S) : Andrew Neil Miller, Jane Elizabeth Kemp and Muhammed Aslam Nasir

Page 1 of 1

It is certified that error appears in the above-identified patent and that said Letters Patent is hereby corrected as shown below:

On the Title Page

Insert after Item (63):

--(30) Foreign Application Priority Data

June 15, 2015 (EM).....002719278--

This certificate supersedes the Certificate of Correction issued September 15, 2020.

Signed and Sealed this
Thirteenth Day of July, 2021



Drew Hirshfeld
*Performing the Functions and Duties of the
Under Secretary of Commerce for Intellectual Property and
Director of the United States Patent and Trademark Office*