



US00D842448S

(12) **United States Design Patent**
Ma

(10) **Patent No.:** **US D842,448 S**

(45) **Date of Patent:** **** Mar. 5, 2019**

(54) **FAN**
(71) Applicant: **Shaowei Ma**, Shenzhen (CN)
(72) Inventor: **Shaowei Ma**, Shenzhen (CN)
(**) Term: **15 Years**

(21) Appl. No.: **29/653,109**

(22) Filed: **Jun. 12, 2018**

(51) **LOC (11) Cl.** **23-04**

(52) **U.S. Cl.**
USPC **D23/382**

(58) **Field of Classification Search**
USPC D23/370, 377, 378, 381, 382, 412, 411
CPC A44C 15/007; A61C 13/08; A61C 13/081;
A61C 13/082; A61C 13/0835; A61C
13/225; A61C 5/00; A61C 5/20; A61C
5/70; A61C 7/002
See application file for complete search history.

(56) **References Cited**

U.S. PATENT DOCUMENTS

D306,903 S * 3/1990 Shin-Chin D23/382
D344,583 S * 2/1994 Hsu D23/382

D372,527 S * 8/1996 Radtke D23/381
D426,296 S * 6/2000 Blateri D23/370
D452,734 S * 1/2002 Blateri D23/370
D480,466 S * 10/2003 Bucher D23/382
D481,790 S * 11/2003 Moreno D23/412
D483,468 S * 12/2003 Wong D23/382
6,682,308 B1 * 1/2004 Fei F04D 29/403
415/213.1
D589,604 S * 3/2009 Hsu D23/382
D686,309 S * 7/2013 Kokawa D23/382

* cited by examiner

Primary Examiner — Janice Hallmark

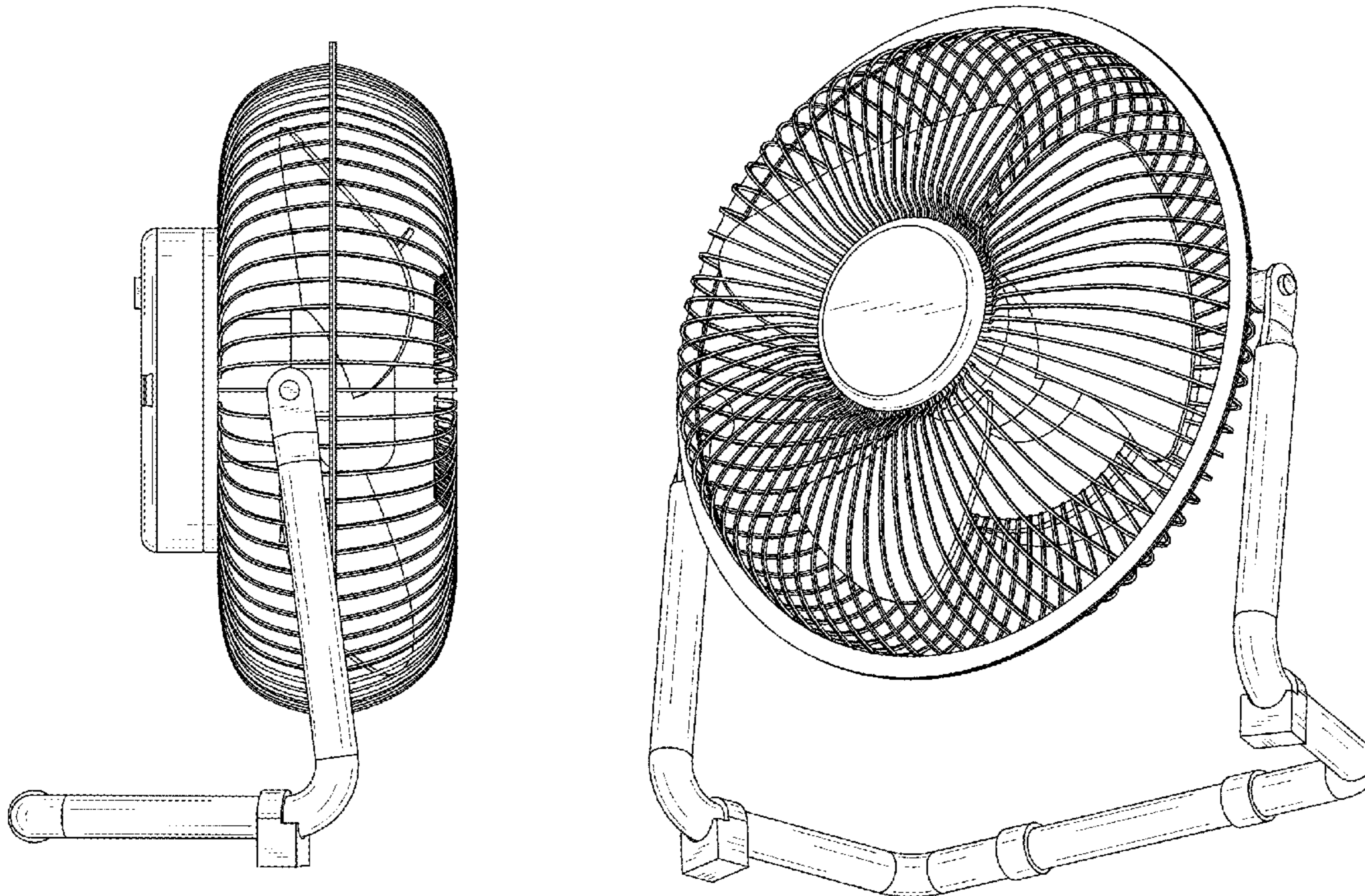
(57) **CLAIM**

The ornamental design for fan, as shown and described.

DESCRIPTION

FIG. 1 is a front view of the fan showing my new design;
FIG. 2 is a back view thereof;
FIG. 3 is a left side view thereof;
FIG. 4 is a right side view thereof;
FIG. 5 is a top view thereof;
FIG. 6 is a bottom view thereof;
FIG. 7 is a perspective view thereof; and,
FIG. 8 is another perspective view thereof.

1 Claim, 7 Drawing Sheets



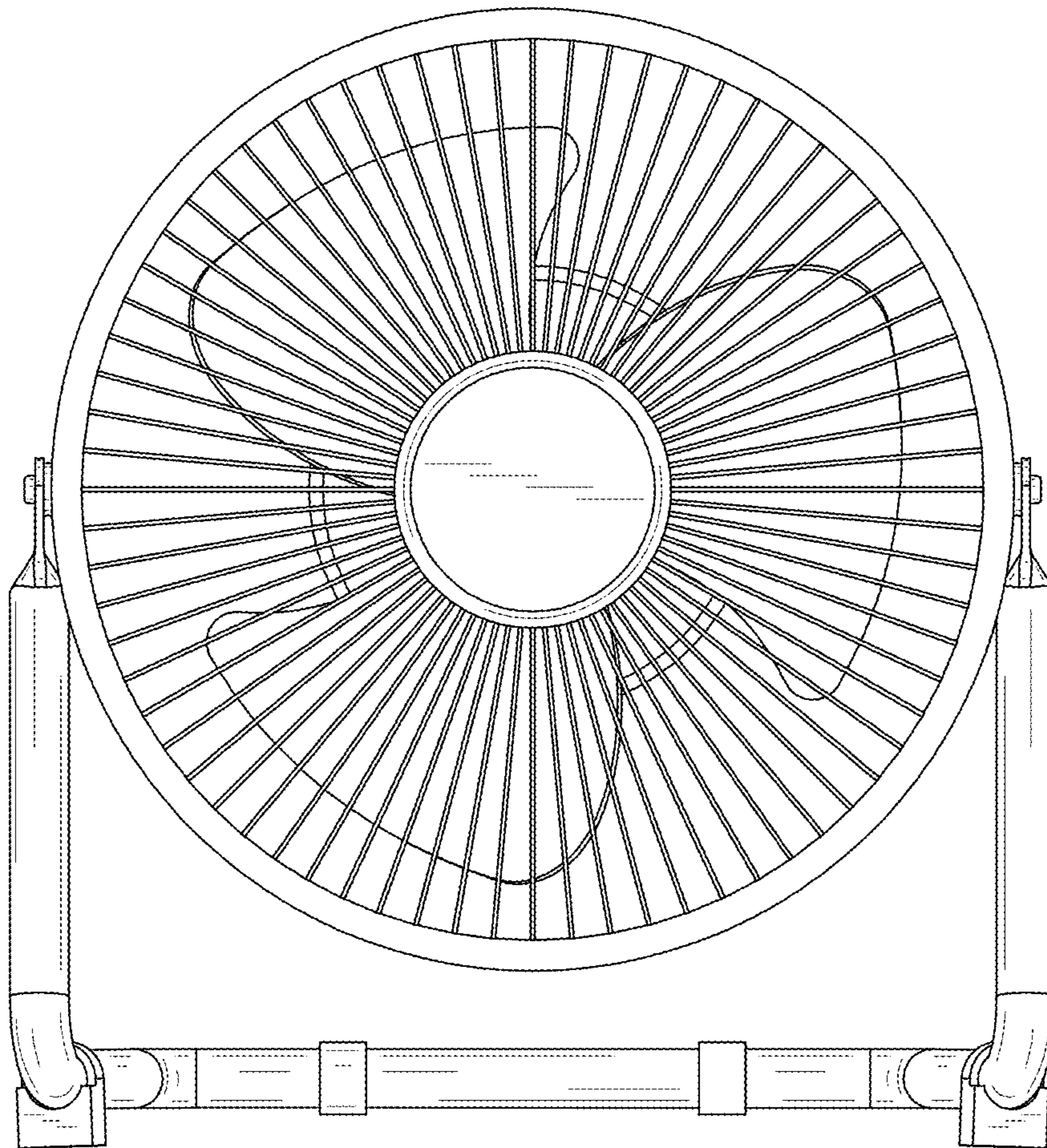


Fig.1

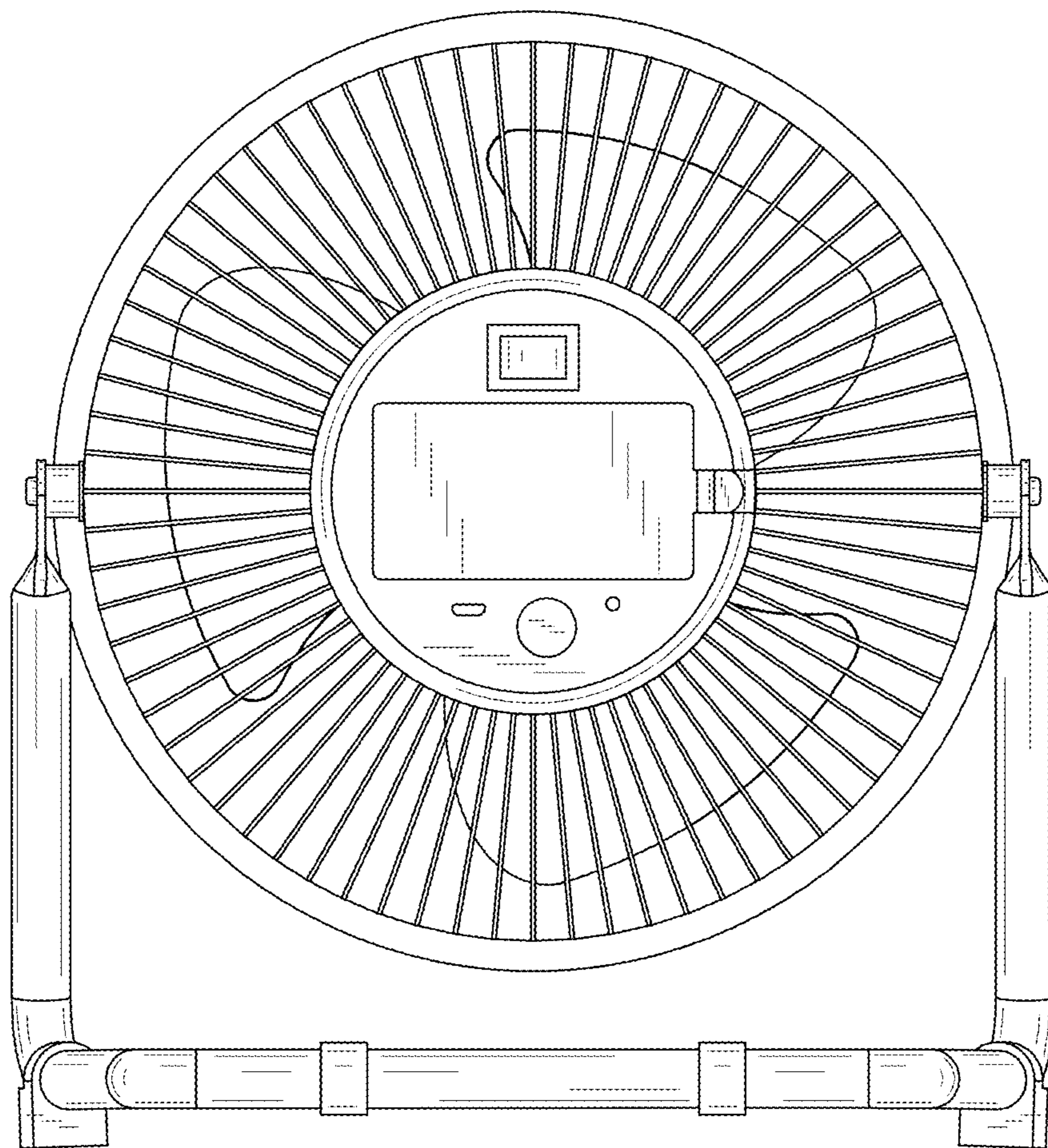


Fig.2

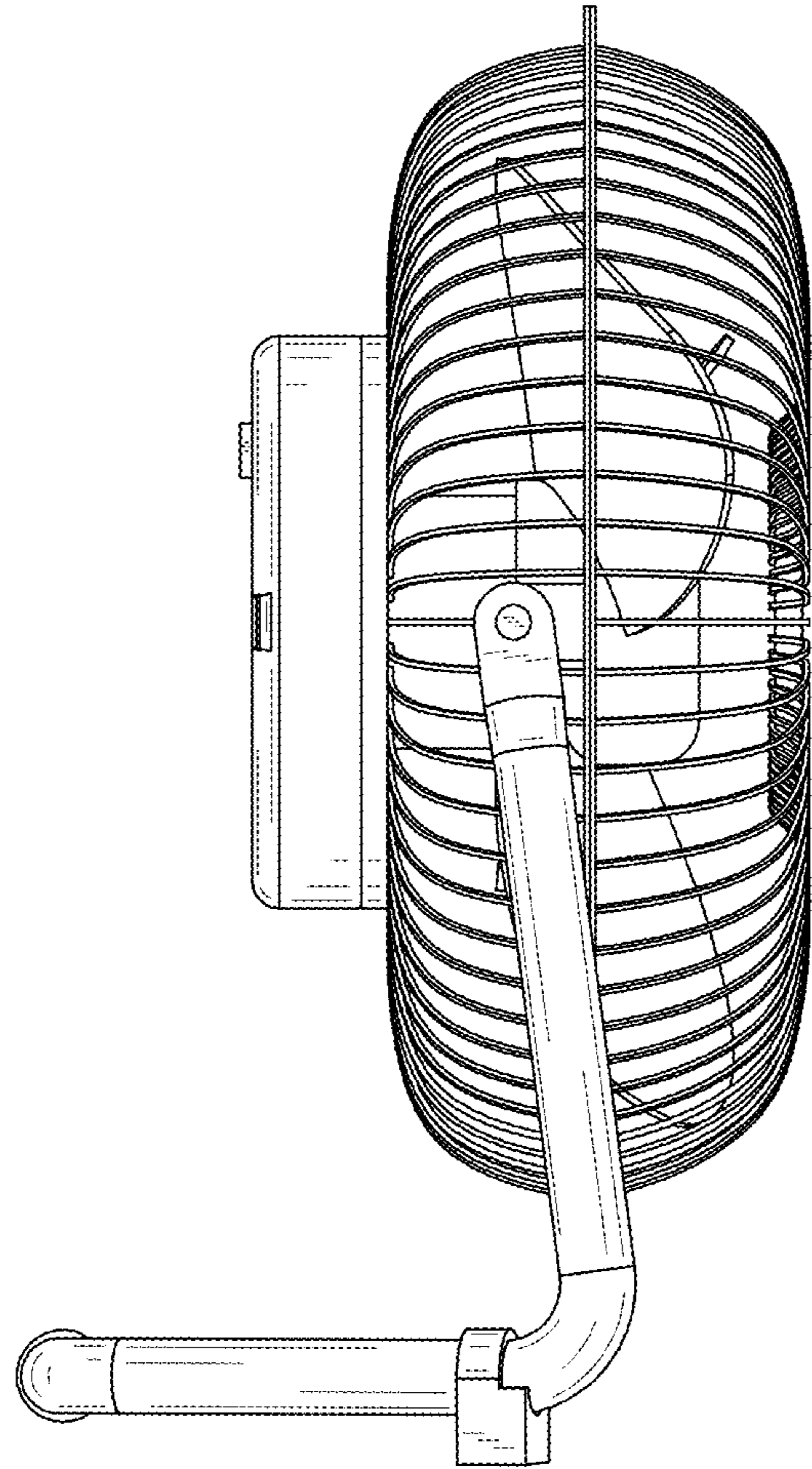


Fig3

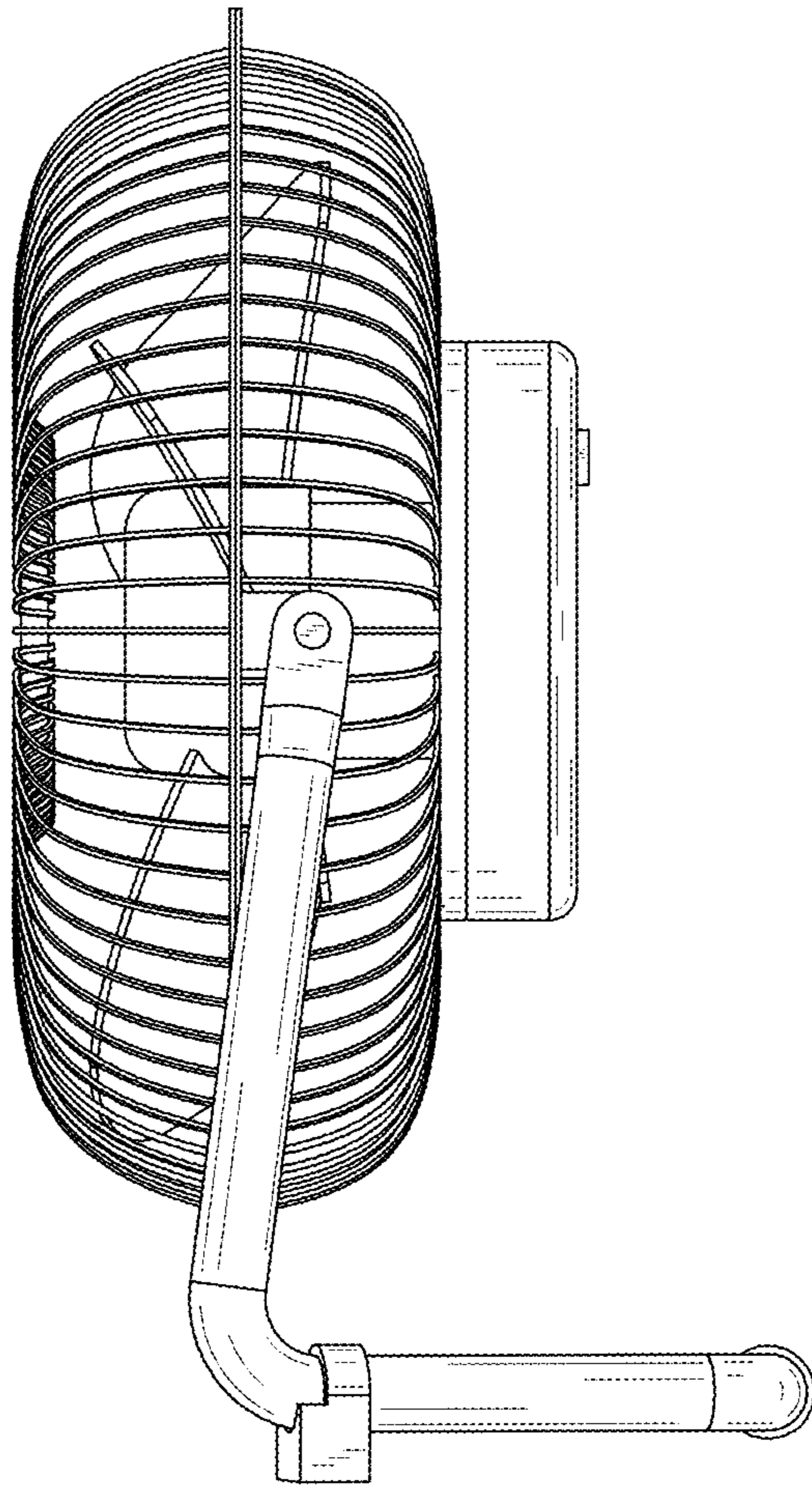


Fig.4

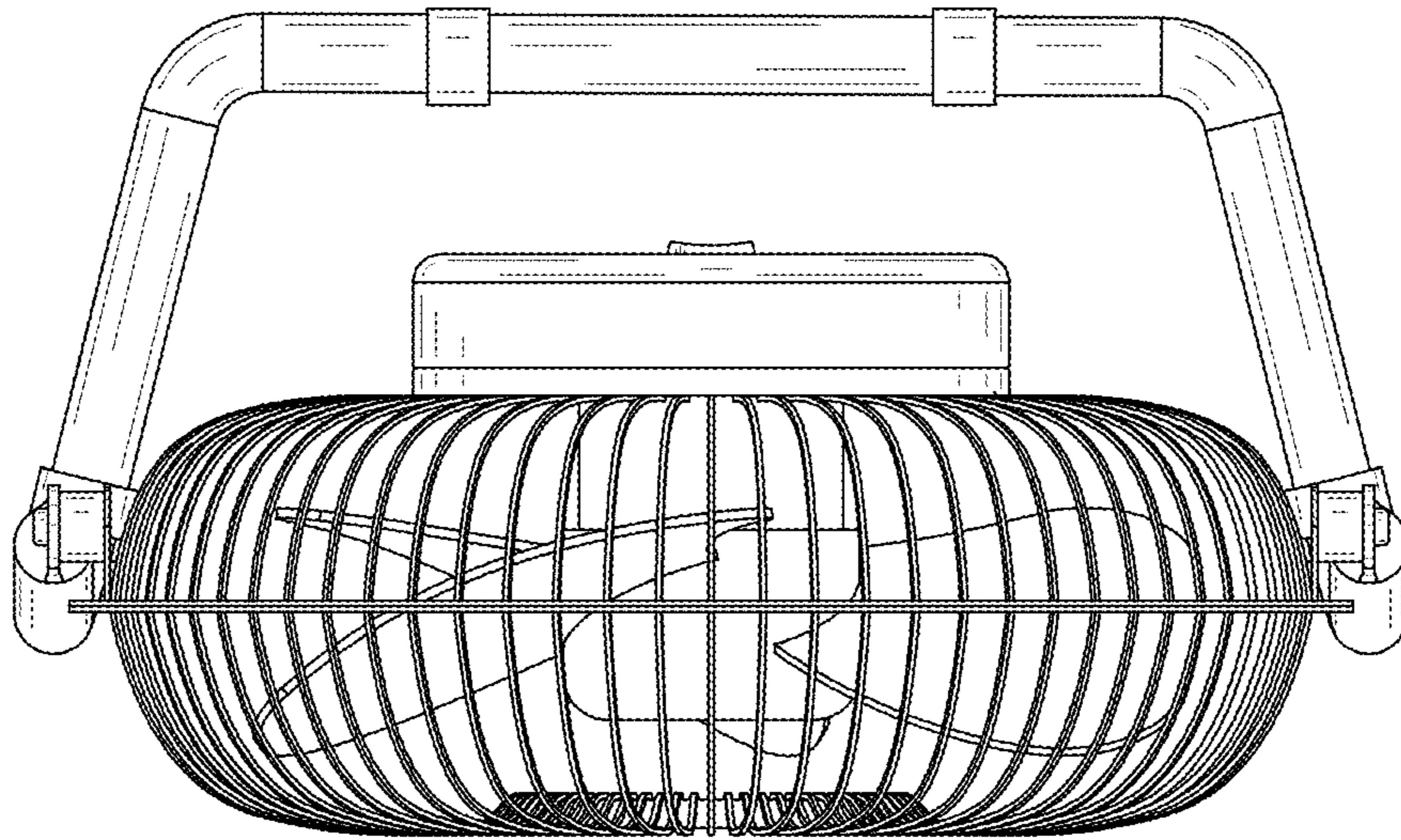


Fig.5

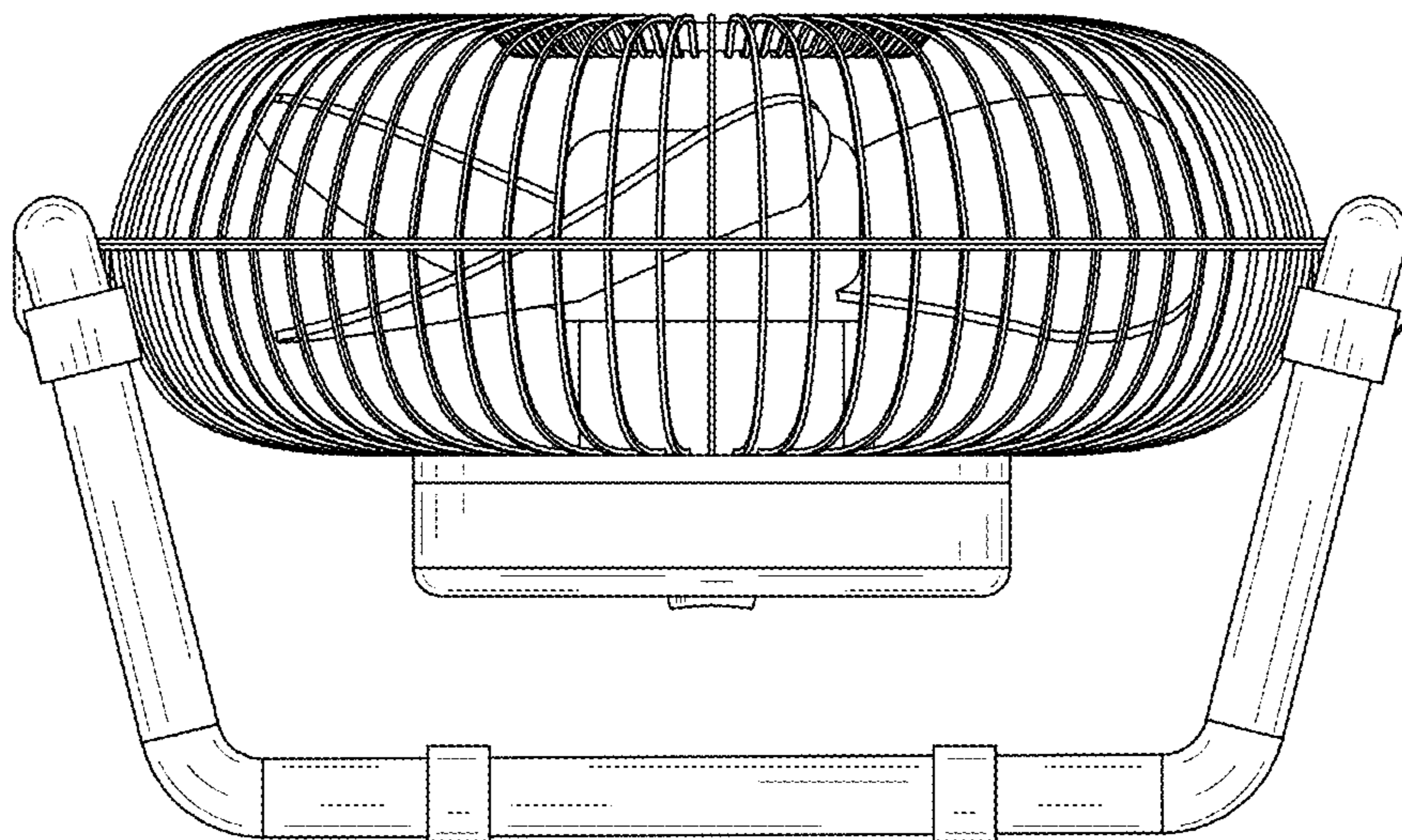


Fig.6

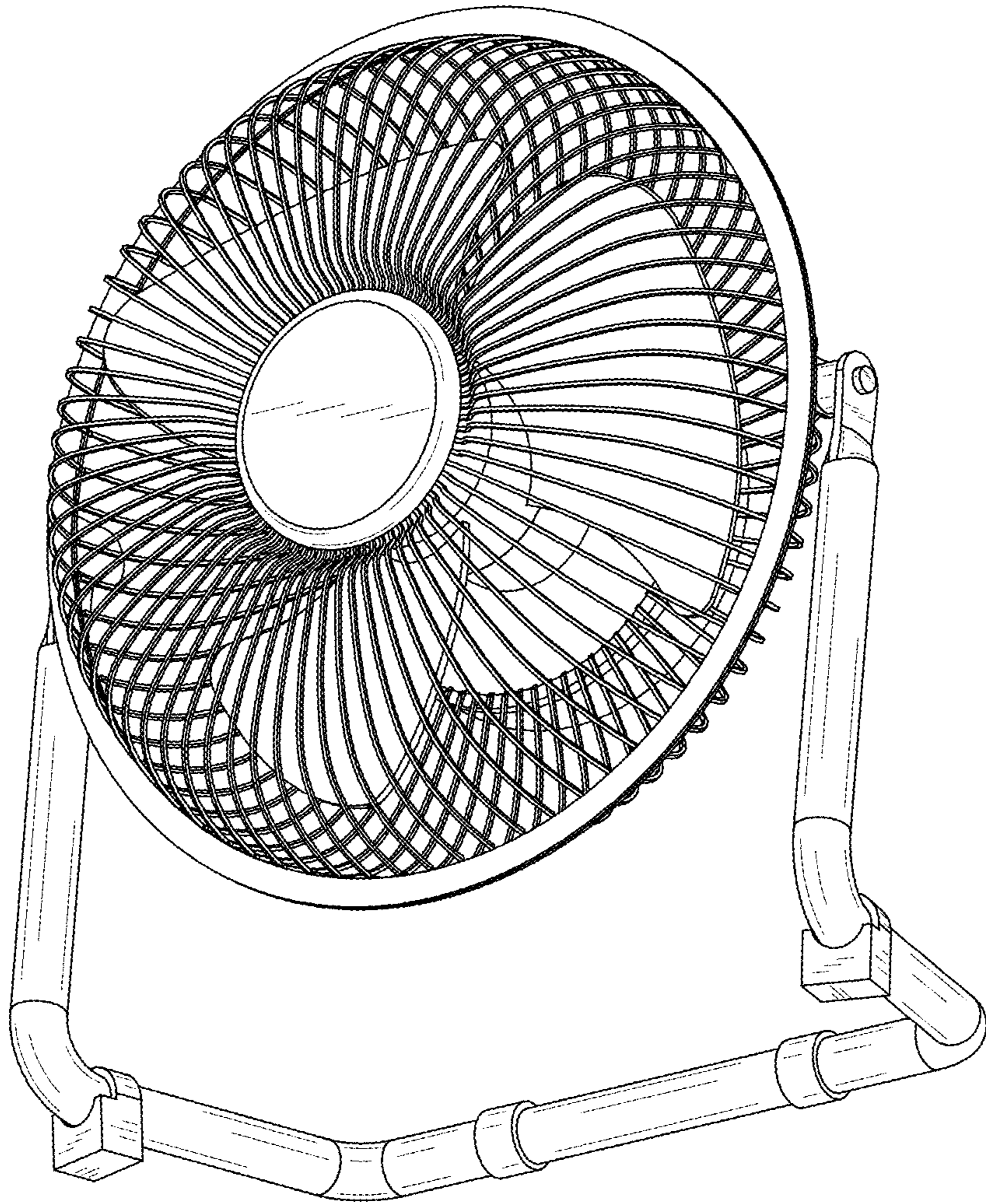


Fig.7

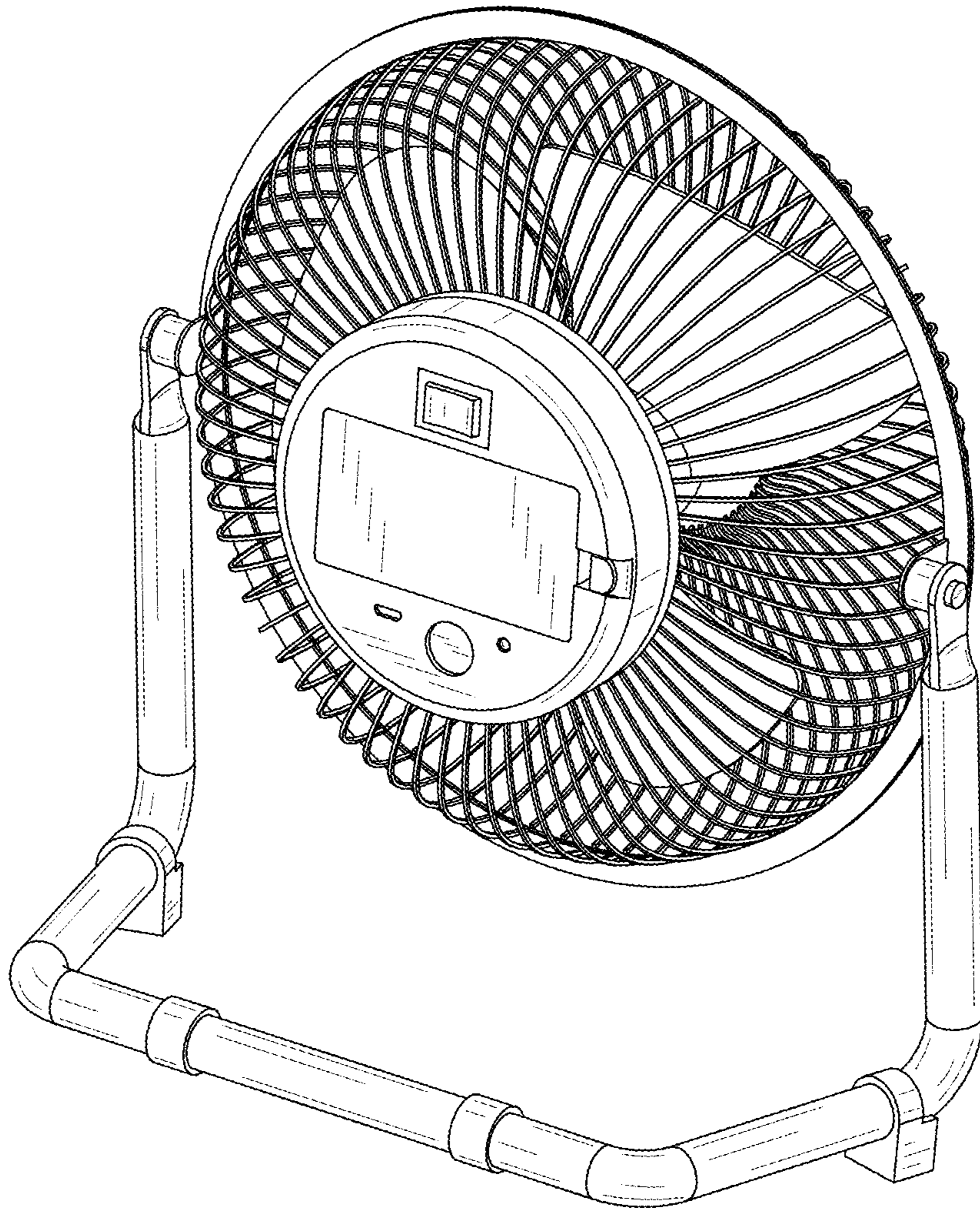


Fig.8