



US00D842445S

(12) **United States Design Patent** (10) **Patent No.:** **US D842,445 S**  
**Shimizu et al.** (45) **Date of Patent:** **\*\* Mar. 5, 2019**

(54) **FILTER FOR AN INDUSTRIAL DUST COLLECTOR**

46/20; F02M 35/04; F24F 13/20; A62B 21/00

See application file for complete search history.

(71) Applicant: **AMANO CORPORATION,**  
Kanagawa-Ken (JP)

(56) **References Cited**

U.S. PATENT DOCUMENTS

(72) Inventors: **Norikazu Shimizu,** Hamamatsu (JP);  
**Tsuyoshi Matsui,** Hamamatsu (JP)

- D380,536 S \* 7/1997 Ellwood ..... D23/364
- 5,733,422 A \* 3/1998 Lin ..... C25B 9/08  
204/228.2
- D565,818 S \* 4/2008 Fester ..... D32/31
- D568,014 S \* 4/2008 Fester ..... D32/31
- D605,274 S \* 12/2009 Kawano ..... D23/365
- D605,275 S \* 12/2009 Kawano ..... D23/365
- D612,036 S \* 3/2010 Ching ..... D23/365
- D652,498 S \* 1/2012 Rafi ..... D23/365
- 8,603,210 B2 \* 12/2013 Champion ..... B01D 46/002  
55/483
- D725,254 S \* 3/2015 Roblin ..... D23/365
- D725,760 S \* 3/2015 Nakagawa ..... D23/365
- D778,419 S \* 2/2017 Poindexter ..... D23/365
- D824,505 S \* 7/2018 Mork ..... D23/365
- D829,875 S \* 10/2018 Stanhope ..... D23/365

(73) Assignee: **Amano Corporation,** Kanagawa-ken  
(JP)

(\*\*) Term: **15 Years**

(21) Appl. No.: **35/504,053**

(22) Filed: **May 30, 2017**

(80) **Hague Agreement Data**

Int. Filing Date: **May 30, 2017**

Int. Reg. No.: **DM/096382**

Int. Reg. Date: **May 30, 2017**

Int. Reg. Pub. Date: **Dec. 1, 2017**

FOREIGN PATENT DOCUMENTS

JP 2017029957 A \* 2/2017

\* cited by examiner

*Primary Examiner* — Keli L Hill

(74) *Attorney, Agent, or Firm* — Saliwanchik, Lloyd & Eisenschenk

(30) **Foreign Application Priority Data**

Dec. 9, 2016 (JP) ..... 2016-026683

(51) **LOC (11) Cl.** ..... **23-04**

(52) **U.S. Cl.**

USPC ..... **D23/365**

(58) **Field of Classification Search**

USPC ..... D23/209, 210, 355, 356, 358, 363–365

CPC ..... A61L 9/00; A61L 9/02; A61L 9/03; A61L

9/034; A61L 9/04; A61L 9/12; A61L

9/032; A61L 9/122; A61L 9/127; A61L

9/22; B01D 46/00; B01D 46/0002; B01D

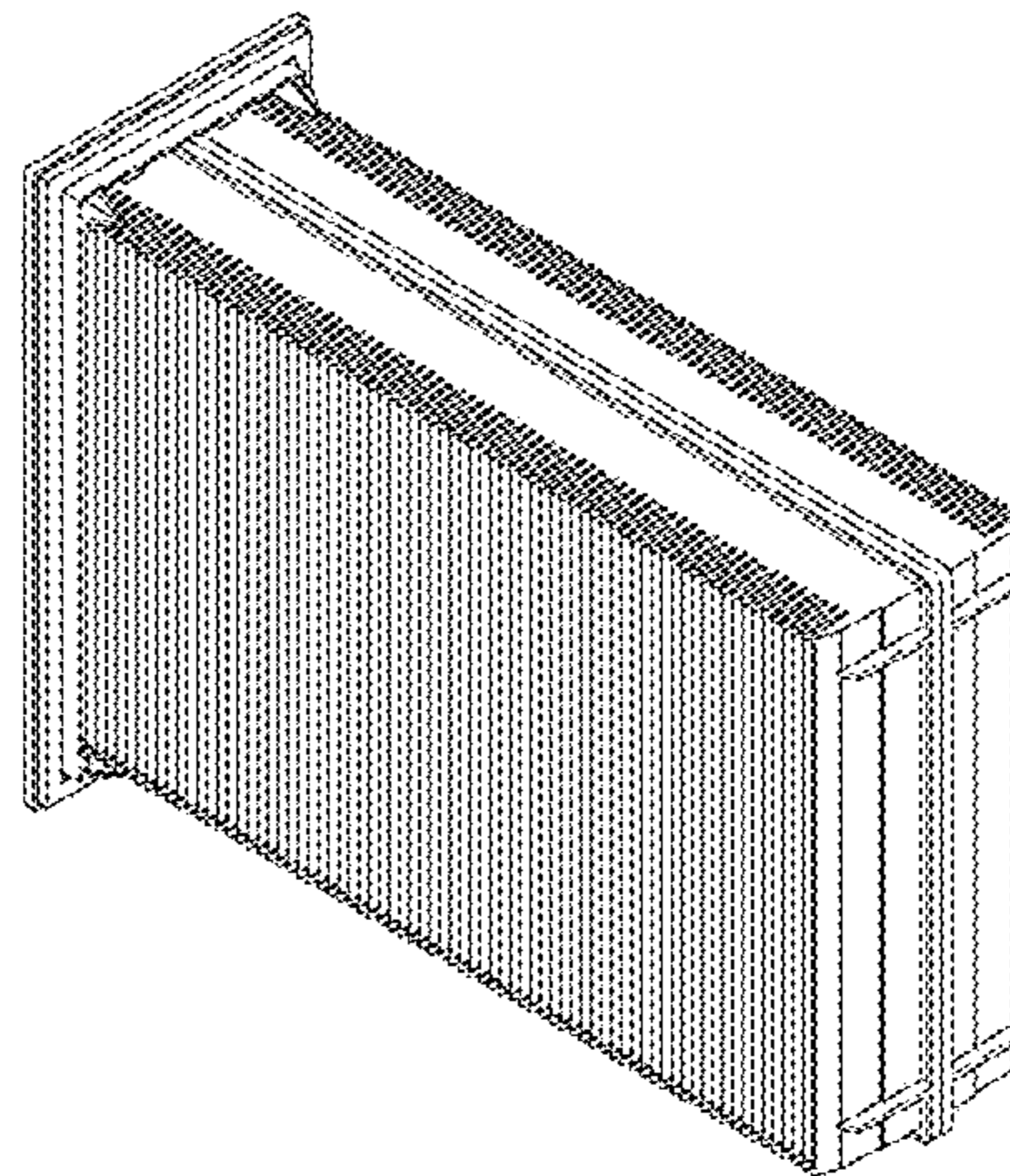
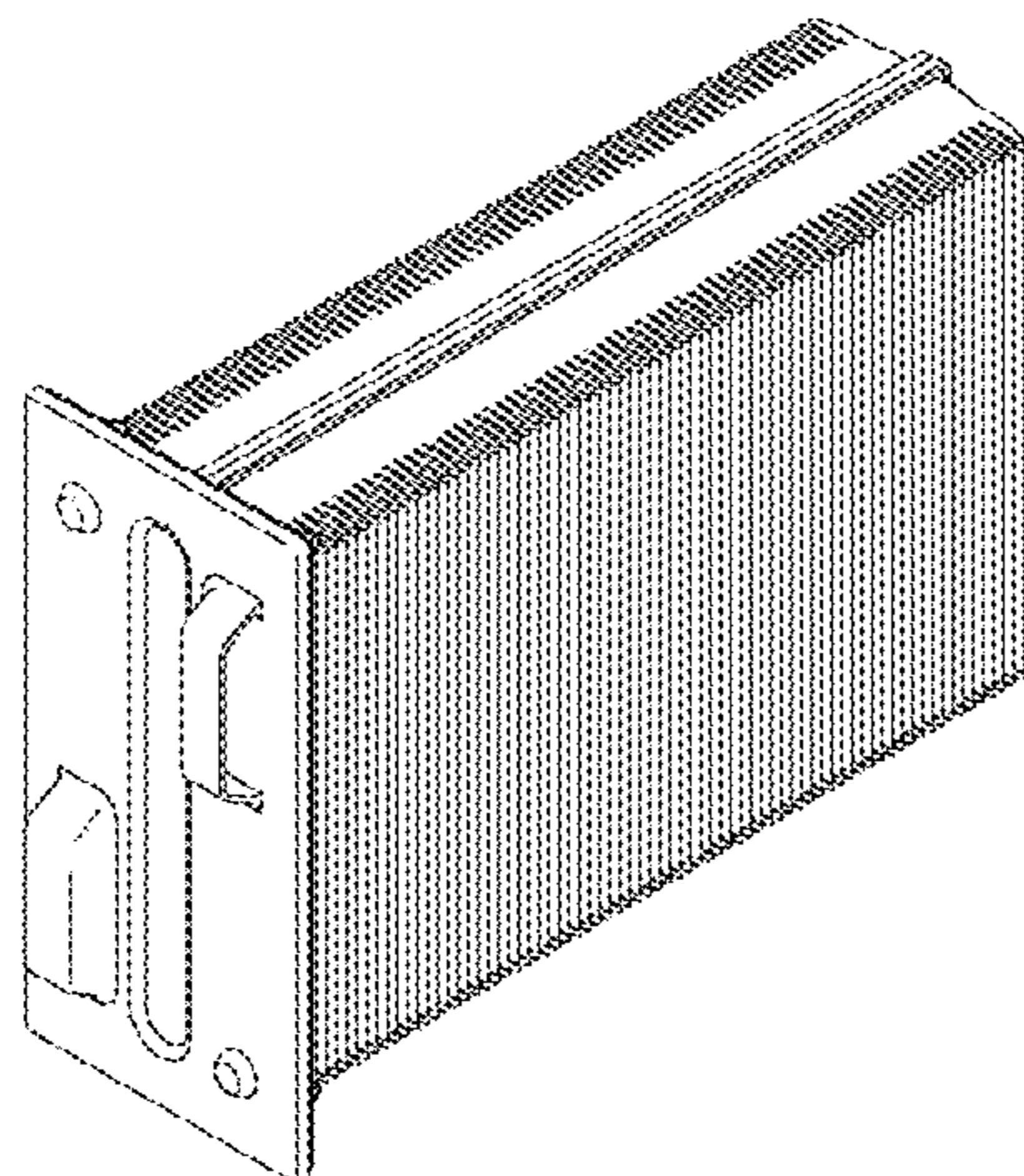
(57) **CLAIM**

The ornamental design for a filter for an industrial dust collector, as shown and described.

**DESCRIPTION**

- 1. Filter for an industrial dust collector
- 1.1 : Front perspective view
- 1.2 : Back perspective view
- 1.3 : Front
- 1.4 : Back
- 1.5 : Right
- 1.6 : Left

(Continued)



**1.7** : Top

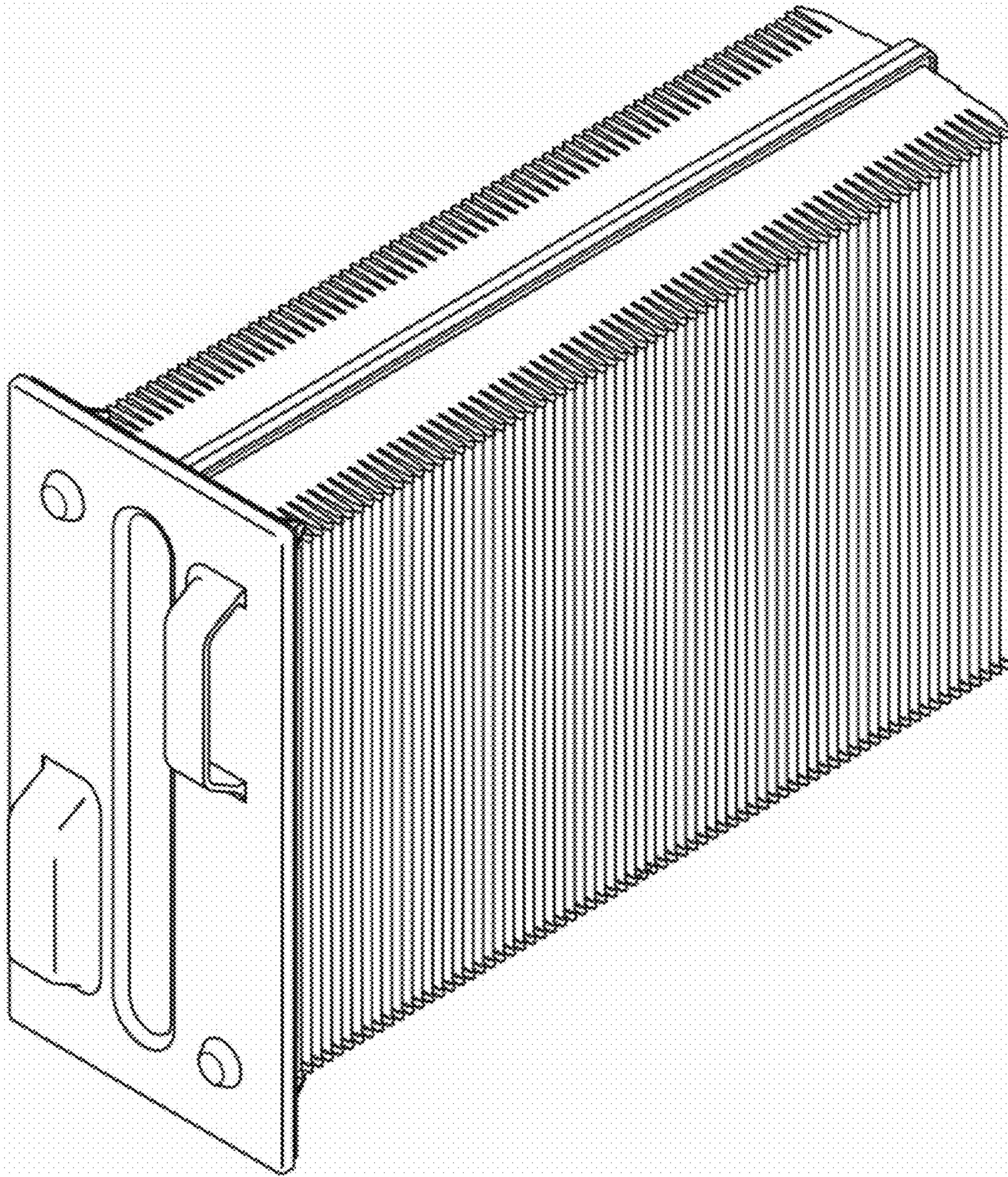
**1.8** : Bottom

The filter for an industrial dust collector is embedded within the industrial dust collector and used for collecting and filtering dust produced during machine processing in factories, and discharging the filtered clean air.

**1 Claim, 8 Drawing Sheets**

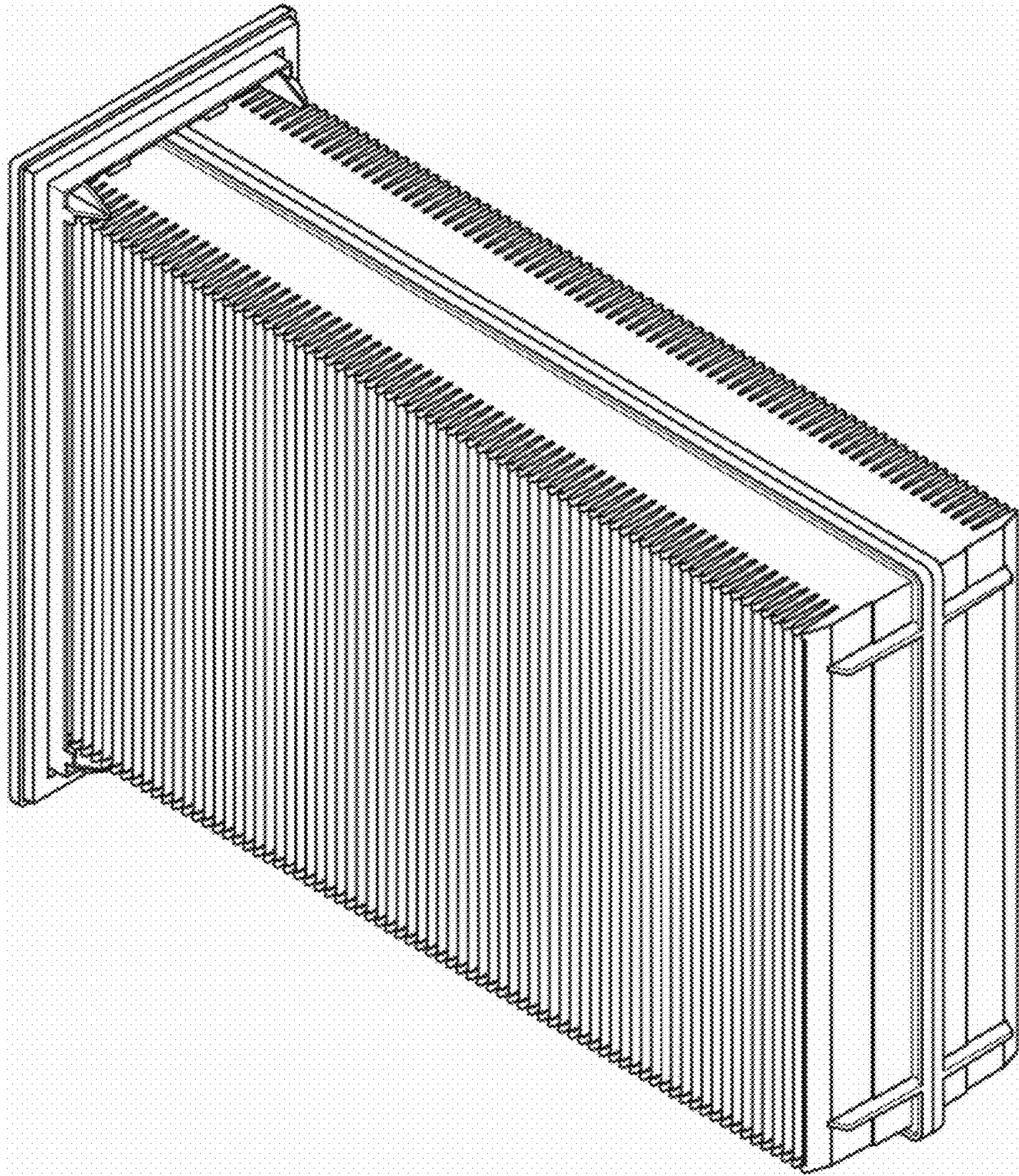


1.1



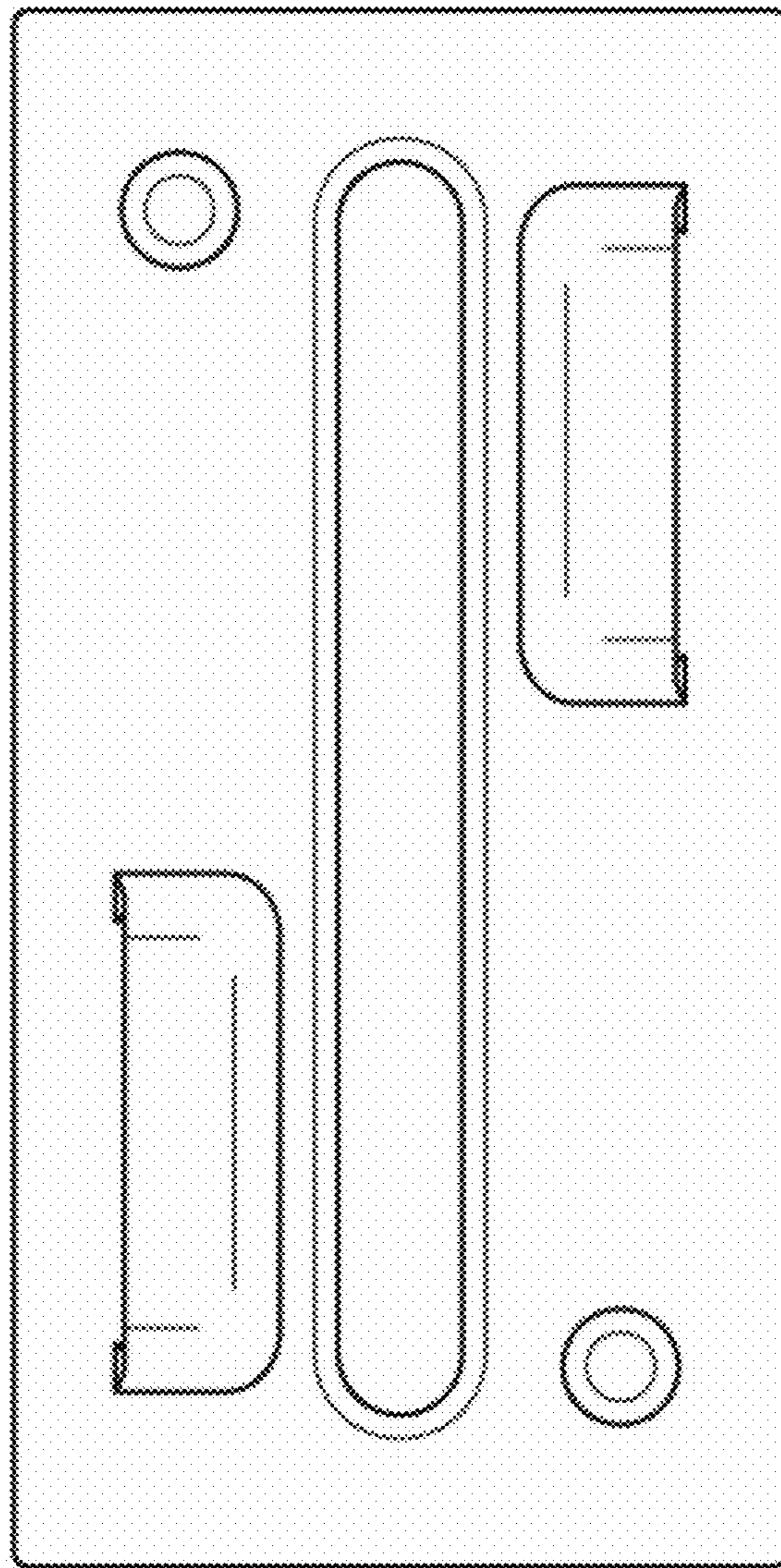


1.2

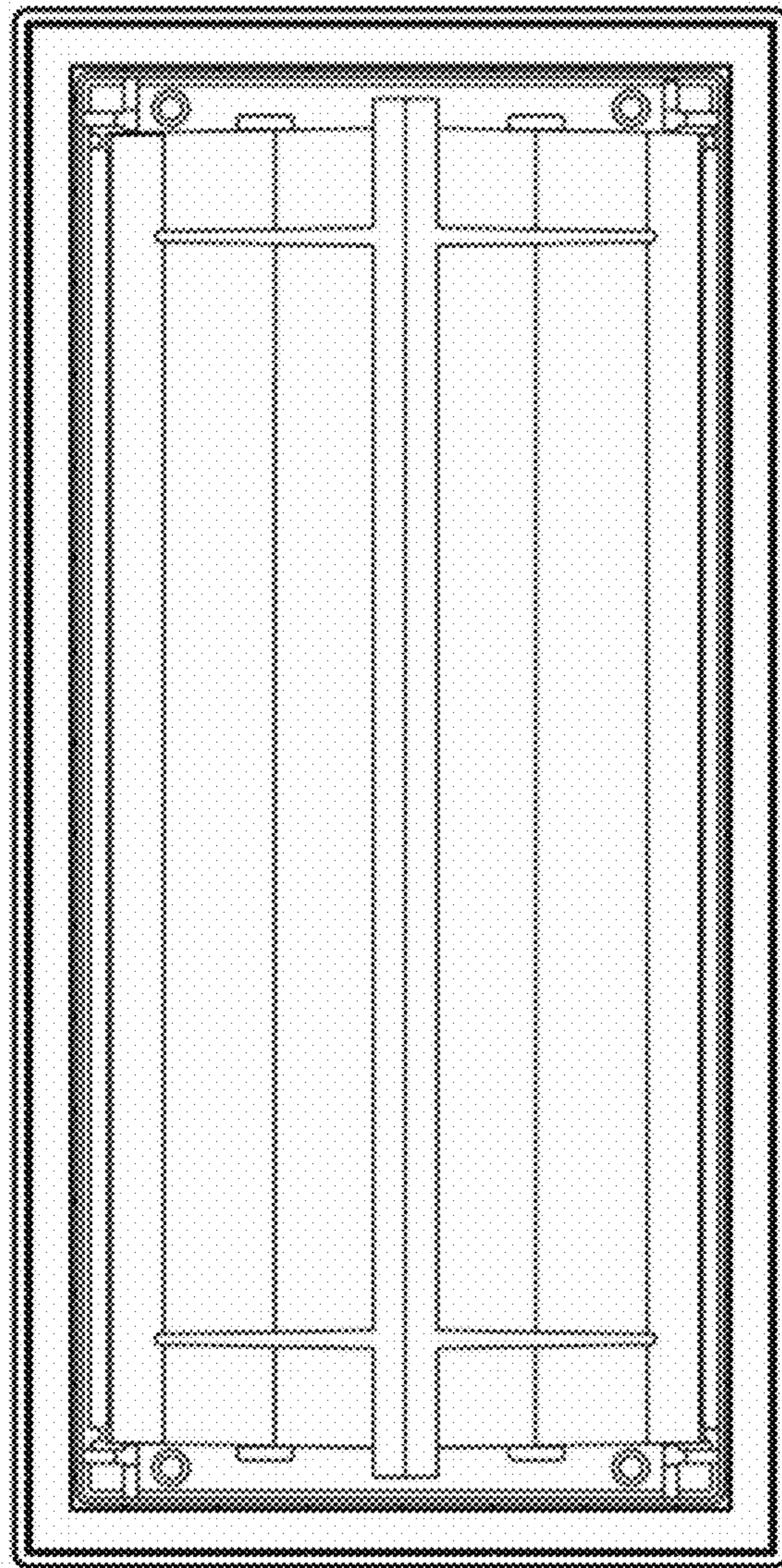




1.3

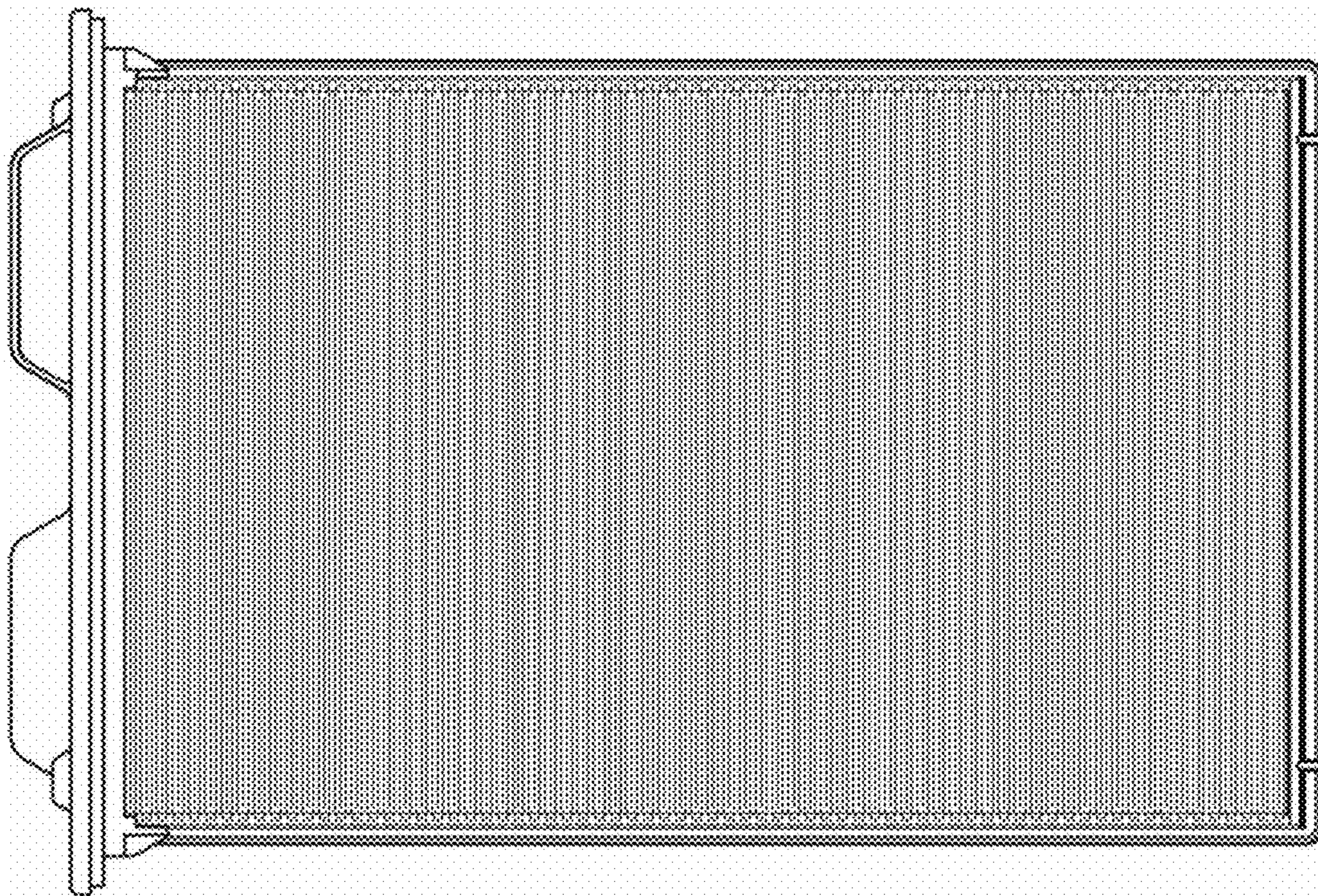


1.4



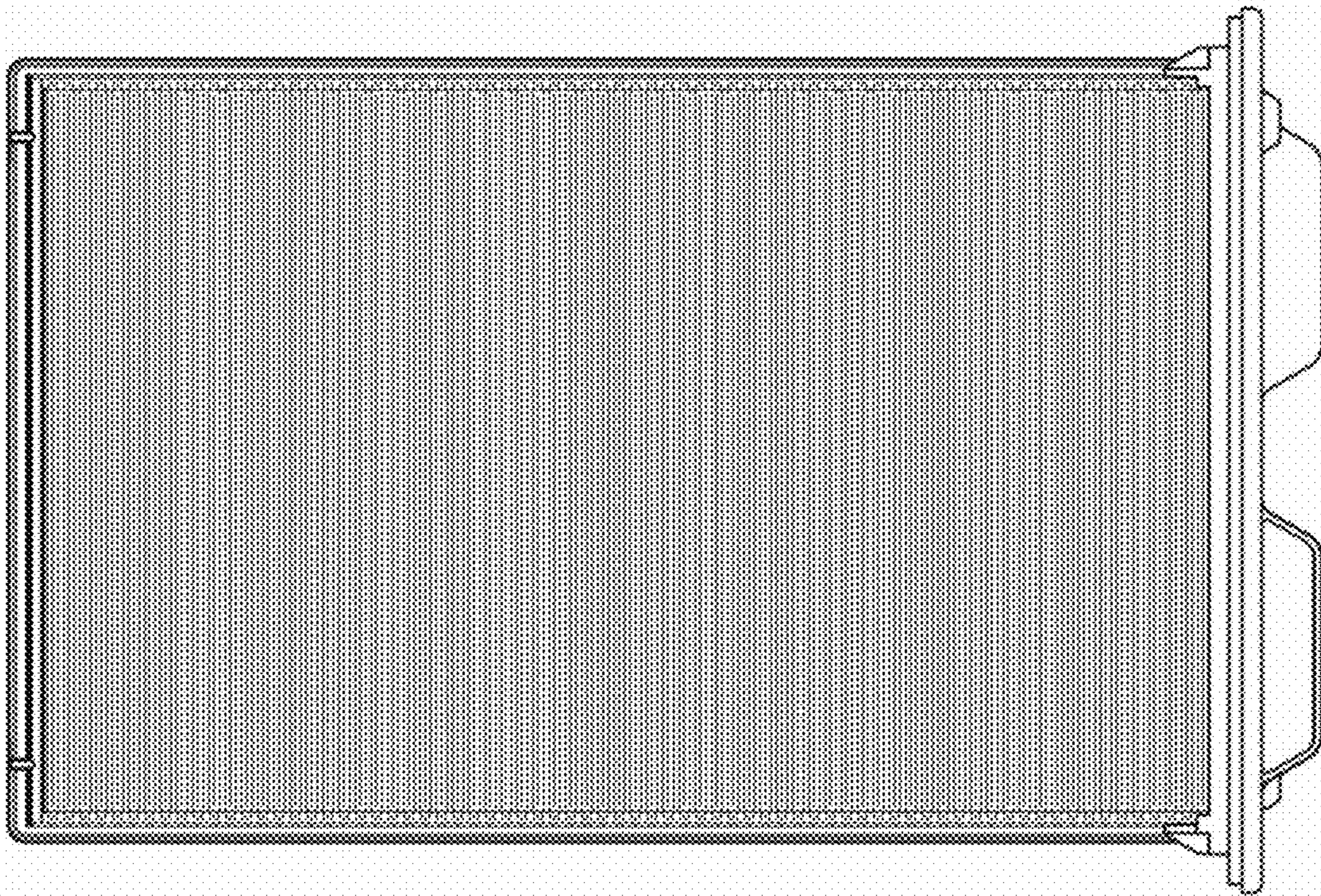


1.5



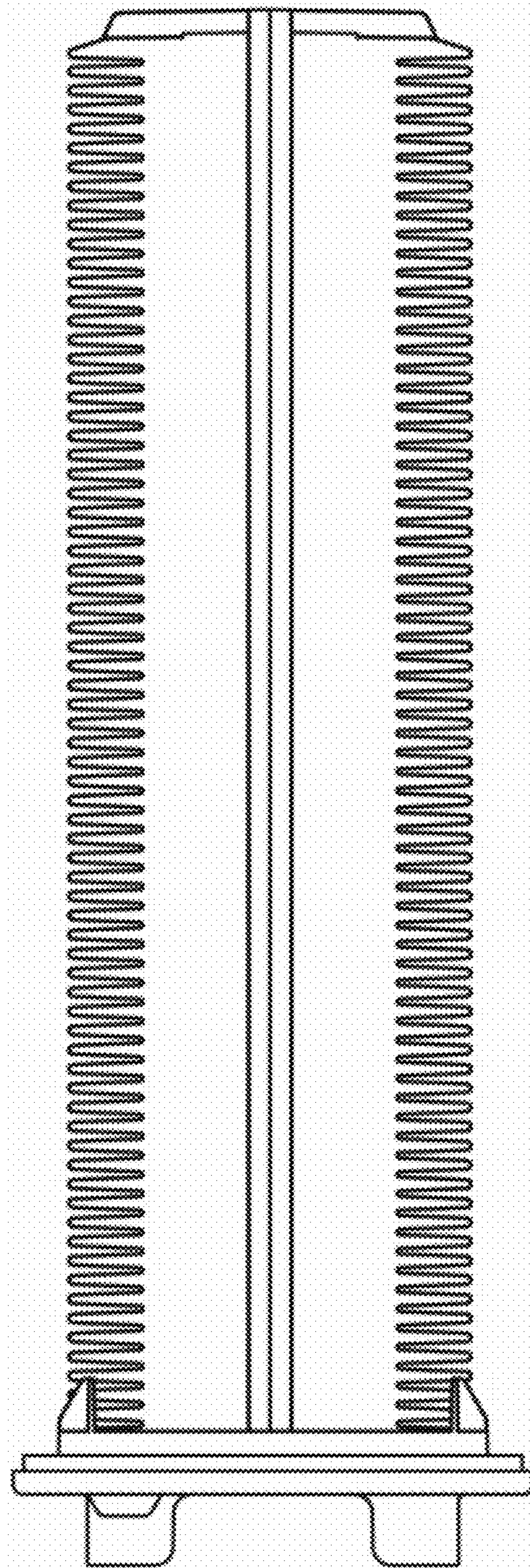


1.6





1.7





1.8

