



US00D842442S

(12) **United States Design Patent**
Lewis et al.

(10) **Patent No.:** **US D842,442 S**
(45) **Date of Patent:** **** Mar. 5, 2019**

(54) **RESIDENTIAL TOILET SEAT**

(71) Applicants: **Aaron H. Lewis**, Hacienda Heights, CA (US); **Douglas K. Dungee**, Las Vegas, NV (US)

(72) Inventors: **Aaron H. Lewis**, Hacienda Heights, CA (US); **Douglas K. Dungee**, Las Vegas, NV (US)

(73) Assignee: **COMFORT PLUS LLC**, Las Vegas, NV (US)

(**) Term: **15 Years**

(21) Appl. No.: **29/623,352**

(22) Filed: **Oct. 24, 2017**

(51) **LOC (11) Cl.** **23-02**

(52) **U.S. Cl.**
USPC **D23/311**

(58) **Field of Classification Search**
USPC D23/303, 311-312
CPC A47K 13/00; A47K 13/06; A47K 13/24;
A47K 13/005
See application file for complete search history.

(56) **References Cited**

U.S. PATENT DOCUMENTS

D346,436 S * 4/1994 Wilks D23/312
D352,103 S * 11/1994 Waldren, Jr. D23/311

D491,650 S * 6/2004 Laguera Garza D23/311
D538,907 S * 3/2007 Kaule D23/311
D662,192 S * 6/2012 Lewis D23/311
9,756,994 B2 * 9/2017 Jackson A47K 13/005
10,052,000 B2 * 8/2018 Boeltl A47K 13/00

* cited by examiner

Primary Examiner — Robert A Delehanty

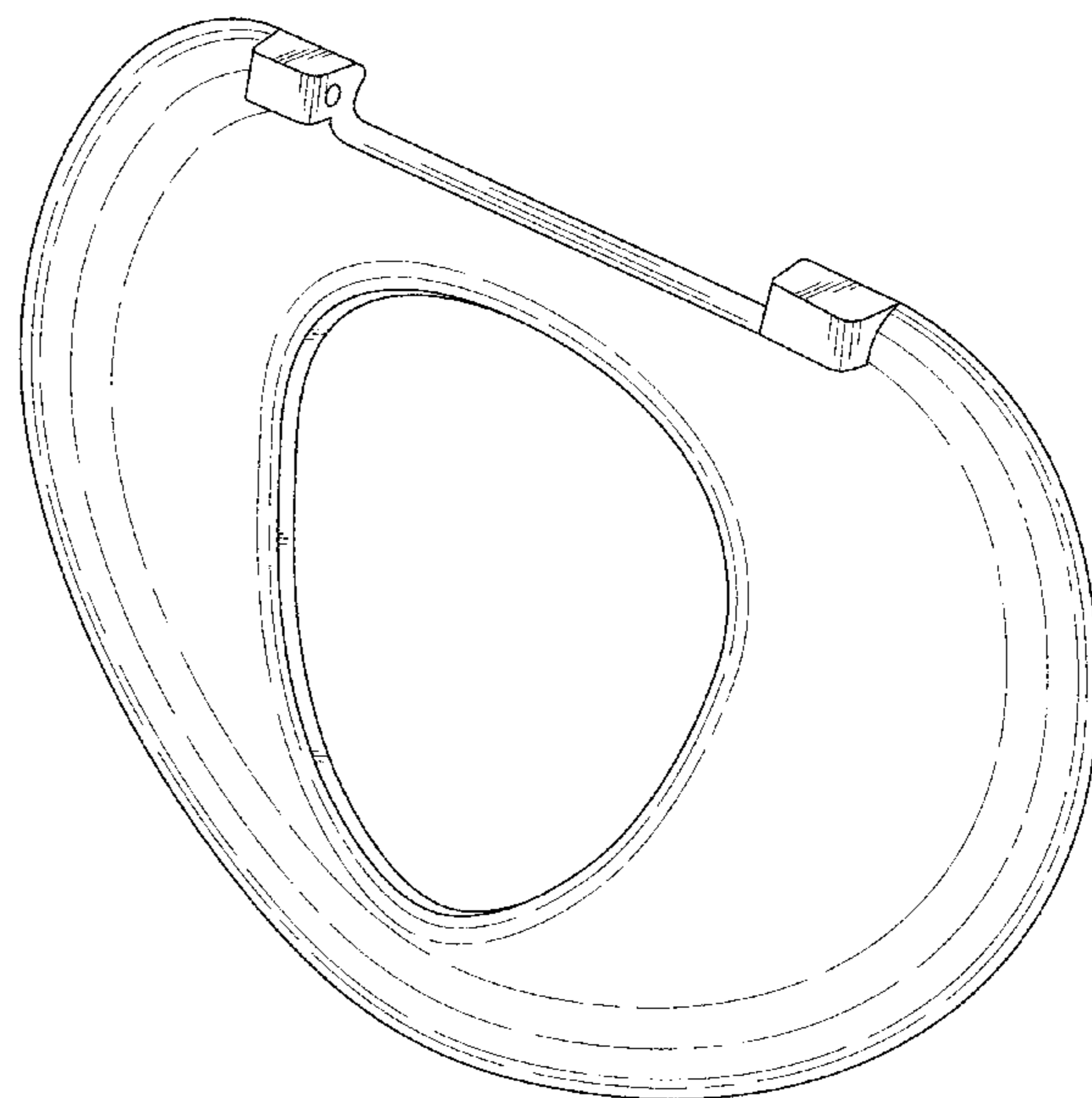
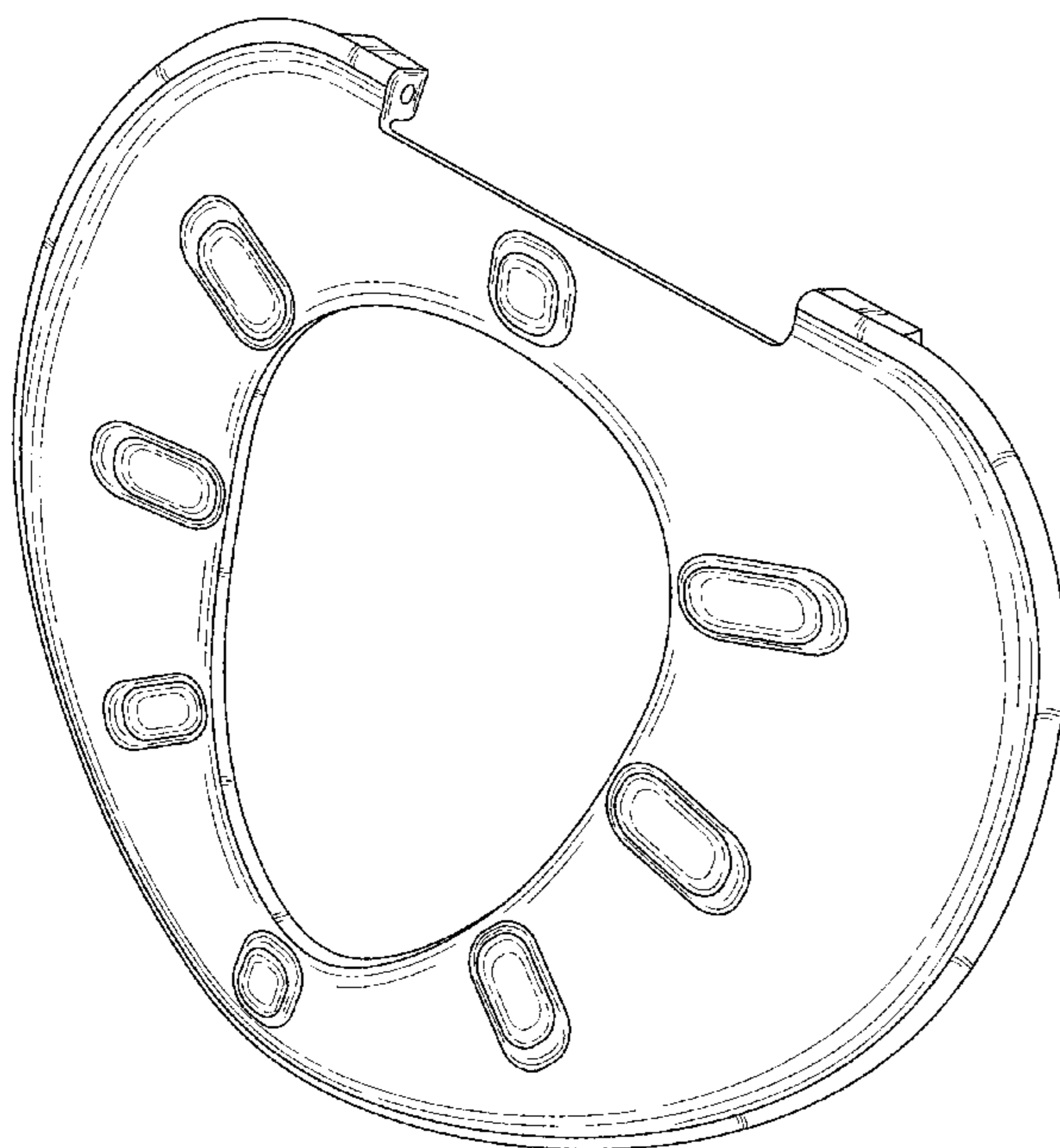
(57) **CLAIM**

The ornamental design for a residential toilet seat, as shown and described.

DESCRIPTION

FIG. 1 is a bottom left side perspective view of a residential toilet seat, showing our new design;
FIG. 2 is a top right side perspective view thereof;
FIG. 3 is a bottom plan view thereof;
FIG. 4 is a top plan view thereof;
FIG. 5 is a right side view thereof;
FIG. 6 is a left side view thereof;
FIG. 7 is a front view thereof;
FIG. 8 is a rear view thereof;
FIG. 9 is a perspective view of the residential toilet seat affixed to a toilet seat cover; and,
FIG. 10 is a rear perspective view of the residential toilet seat affixed to a toilet seat cover.
The broken lines in FIGS. 9 and 10 show environmental subject matter only and form no part of the claimed design.

1 Claim, 8 Drawing Sheets



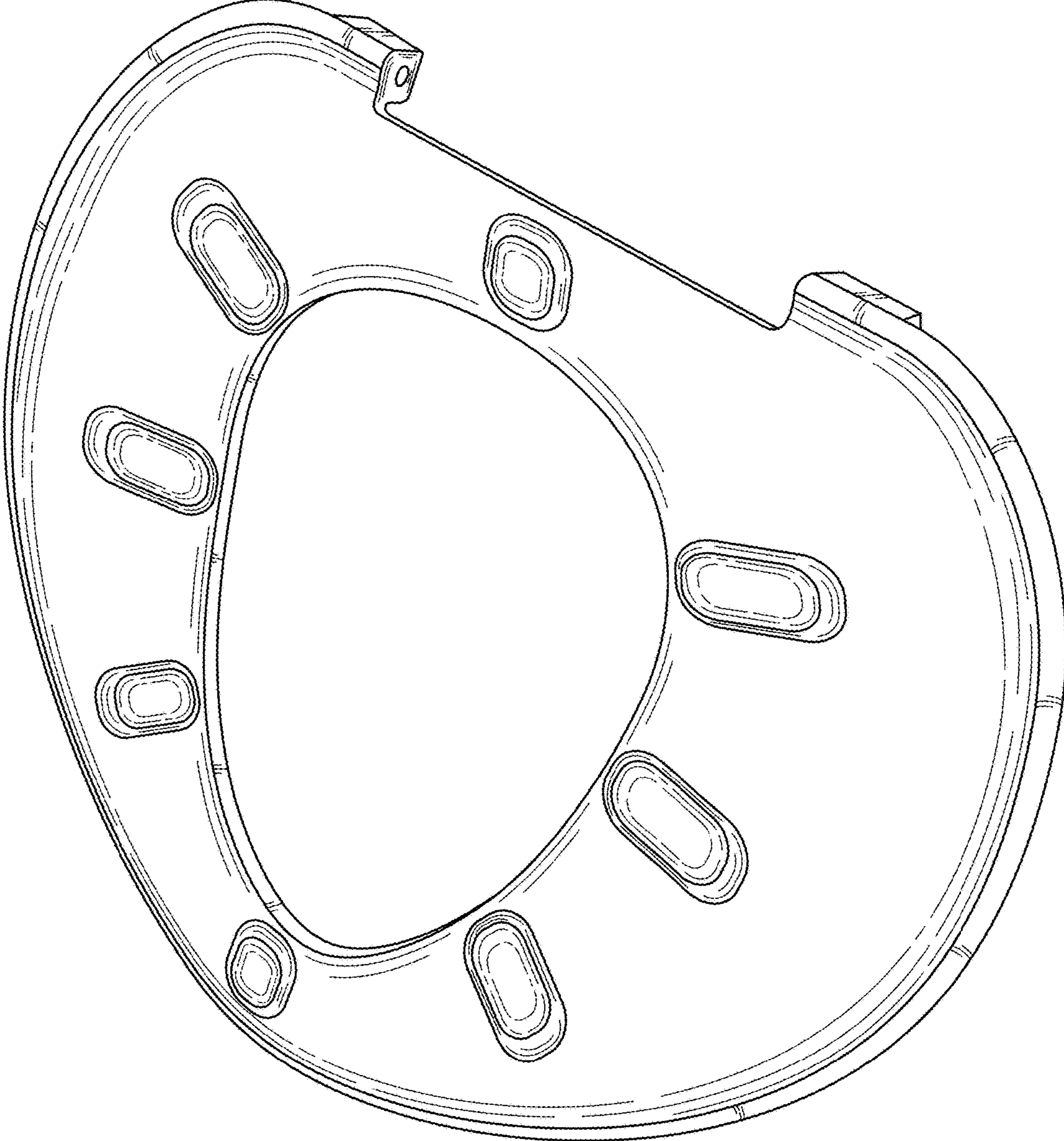


FIG. 1

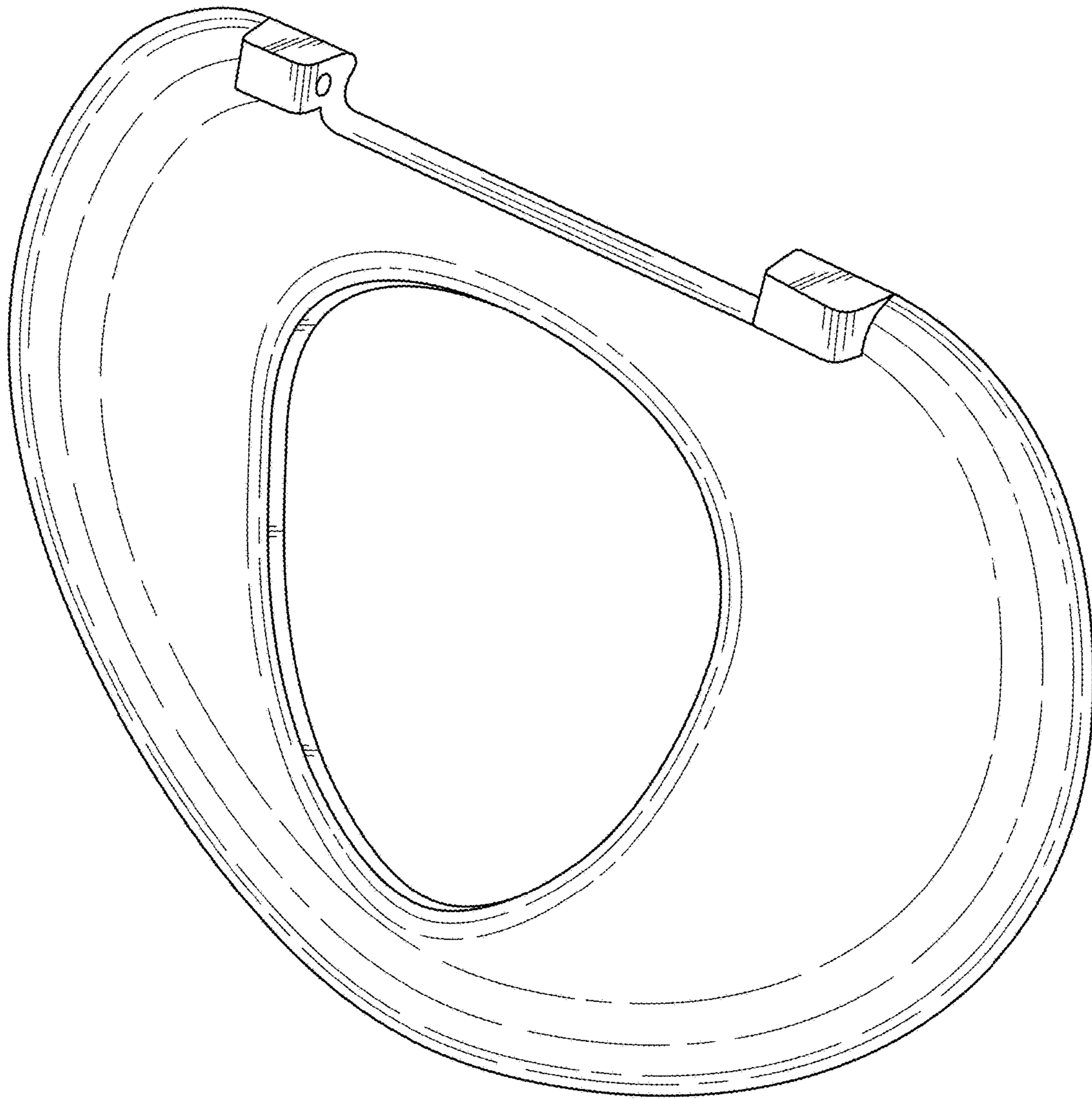


FIG. 2

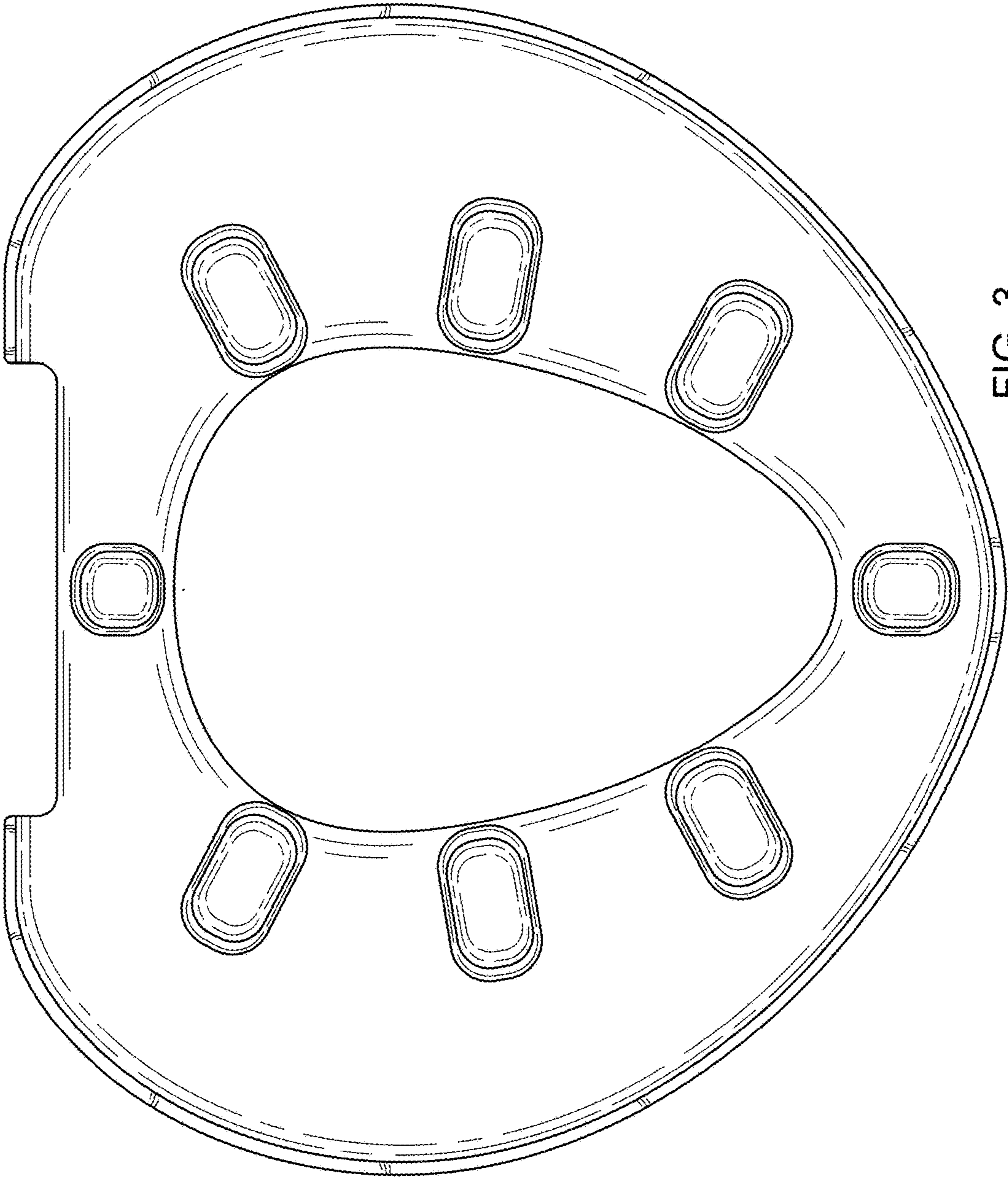


FIG. 3

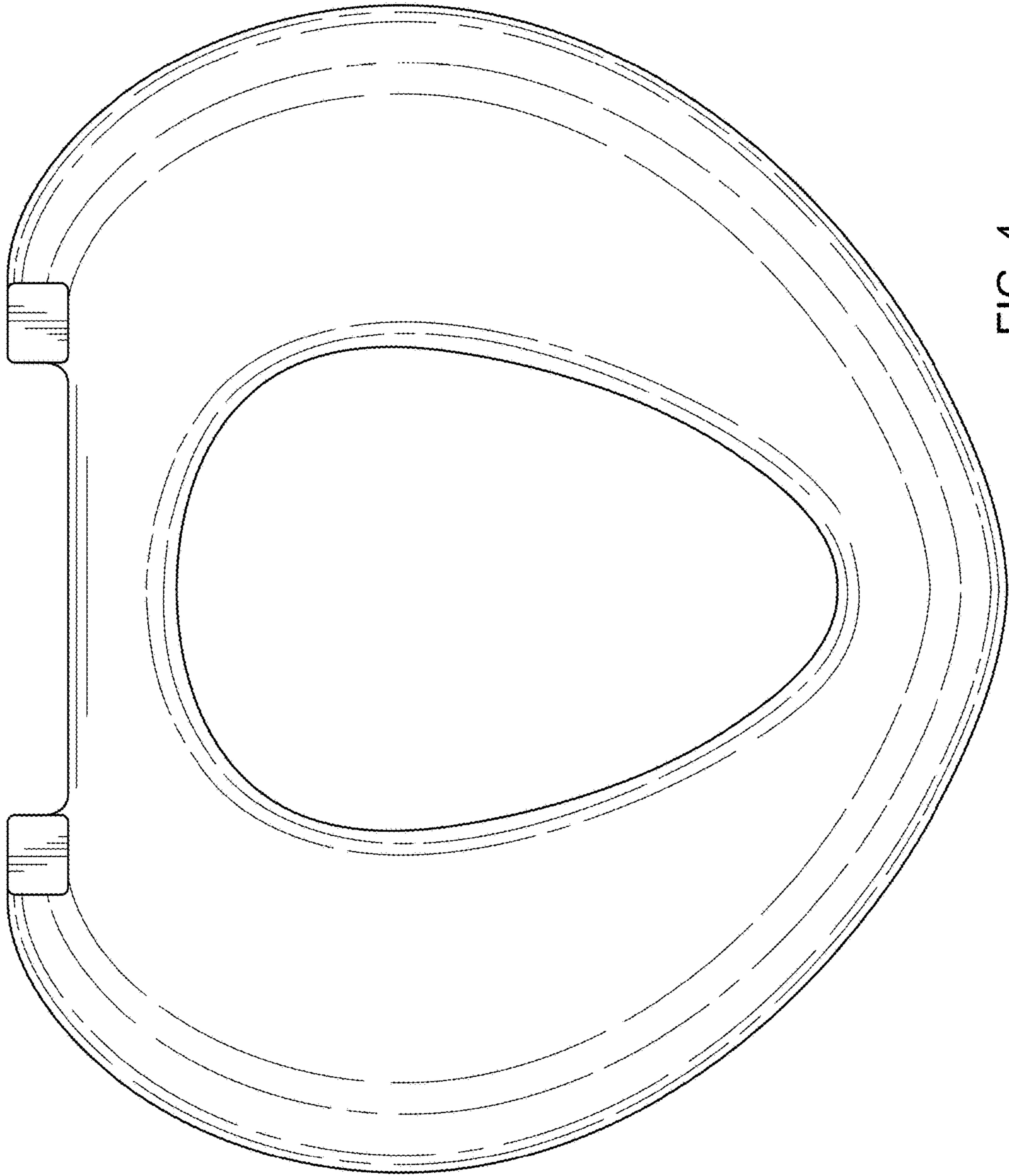


FIG. 4

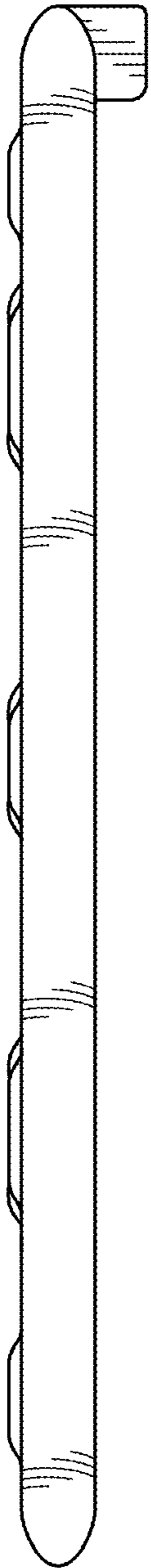


FIG. 5

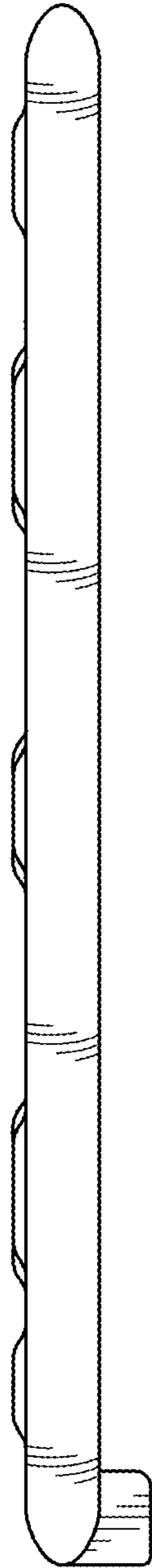


FIG. 6

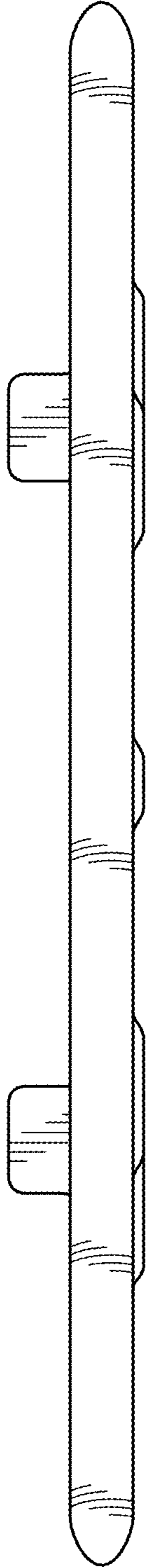


FIG. 7

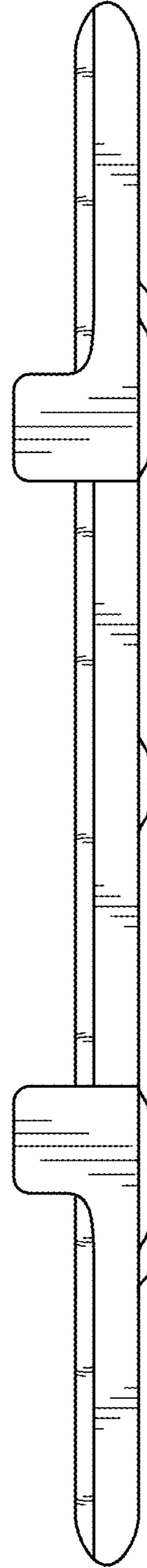


FIG. 8

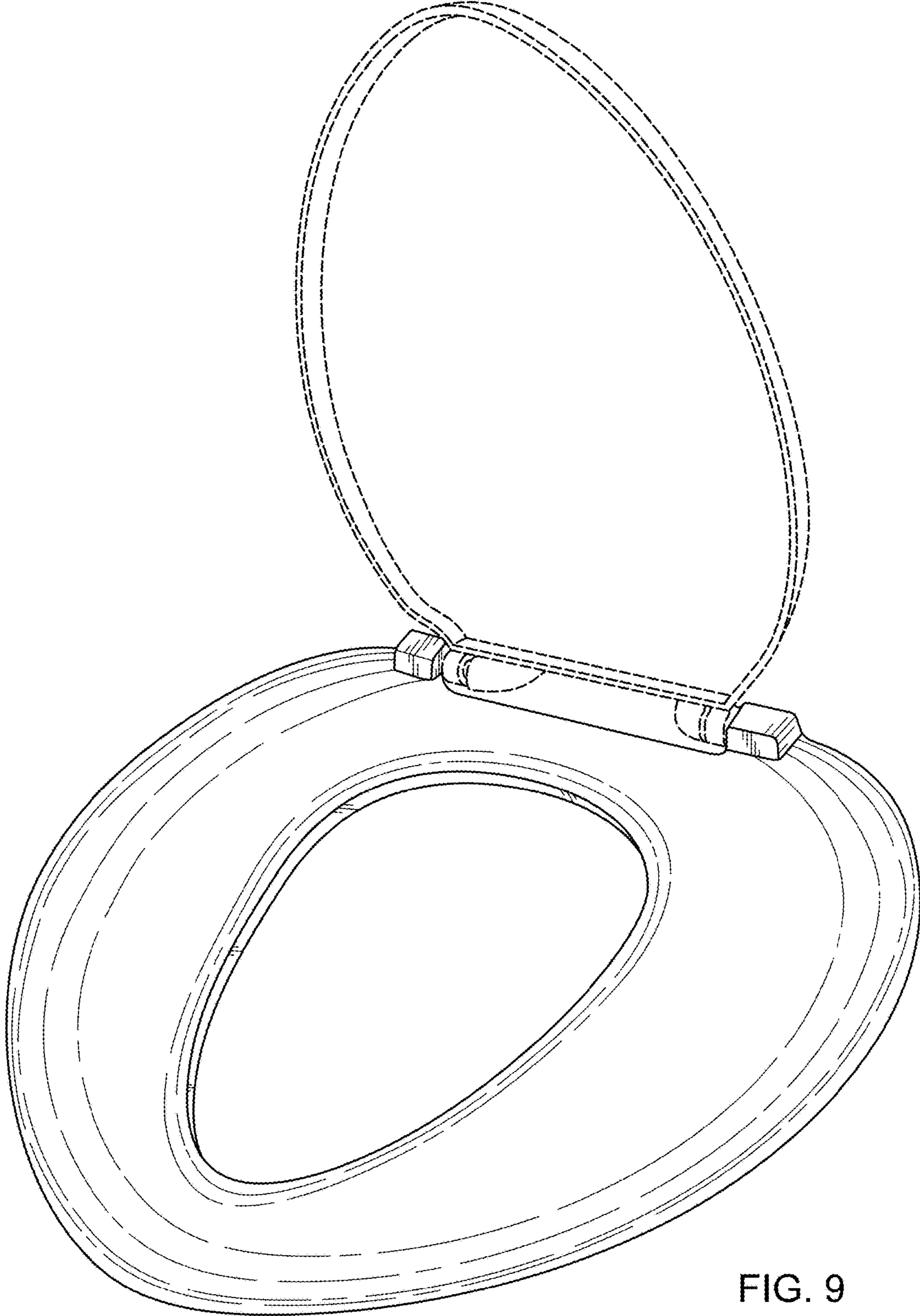


FIG. 9

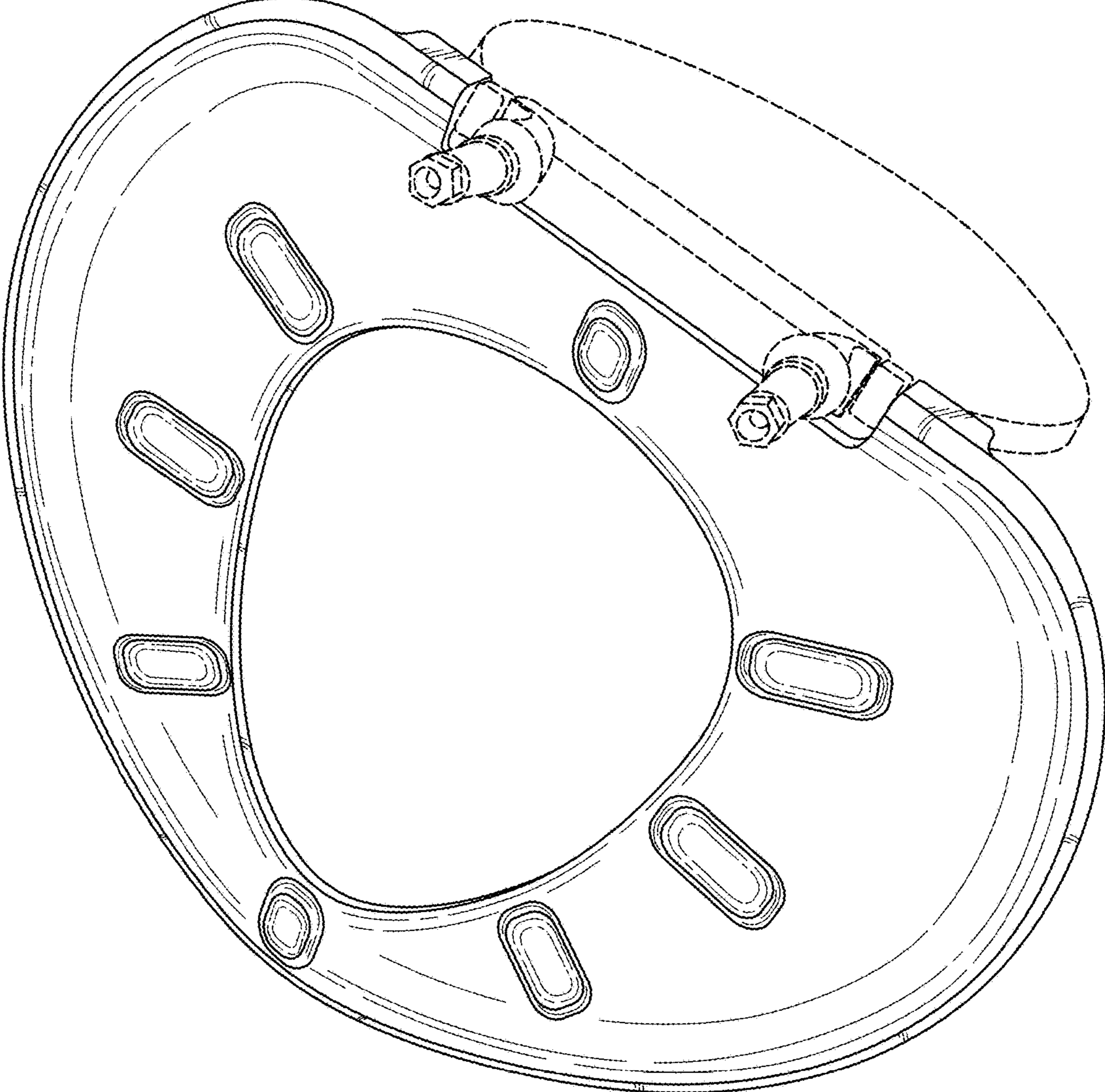


FIG. 10