



US00D842441S

(12) **United States Design Patent**
Quinn

(10) **Patent No.:** **US D842,441 S**

(45) **Date of Patent:** **** Mar. 5, 2019**

(54) **ROUND SINK**

(71) Applicant: **Matthew Quinn**, Sugar Hill, GA (US)

(72) Inventor: **Matthew Quinn**, Sugar Hill, GA (US)

(73) Assignee: **MTI Baths, Inc.**, Sugar Hill, GA (US)

(**) Term: **15 Years**

(21) Appl. No.: **29/610,441**

(22) Filed: **Jul. 12, 2017**

(51) **LOC (11) Cl.** **23-02**

(52) **U.S. Cl.**
USPC **D23/293.1**

(58) **Field of Classification Search**
USPC D23/284, 293.1, 303, 308, 285
CPC E03C 1/18
See application file for complete search history.

(56) **References Cited**

U.S. PATENT DOCUMENTS

D507,040 S * 7/2005 Ferrer Beltran D23/284
D583,447 S * 12/2008 Jiang D23/293.1

D588,241 S * 3/2009 Sutopo D23/284
D598,992 S * 8/2009 Aso D23/284
D634,821 S * 3/2011 Thomas D23/284
D697,597 S * 1/2014 Garland D23/293.1
D753,278 S * 4/2016 Danelon D23/293.1

* cited by examiner

Primary Examiner — Robert A Delehanty

(74) *Attorney, Agent, or Firm* — Miller & Martin PLLC;
Stephen J. Stark

(57) **CLAIM**

The ornamental design for a round sink, as shown and described.

DESCRIPTION

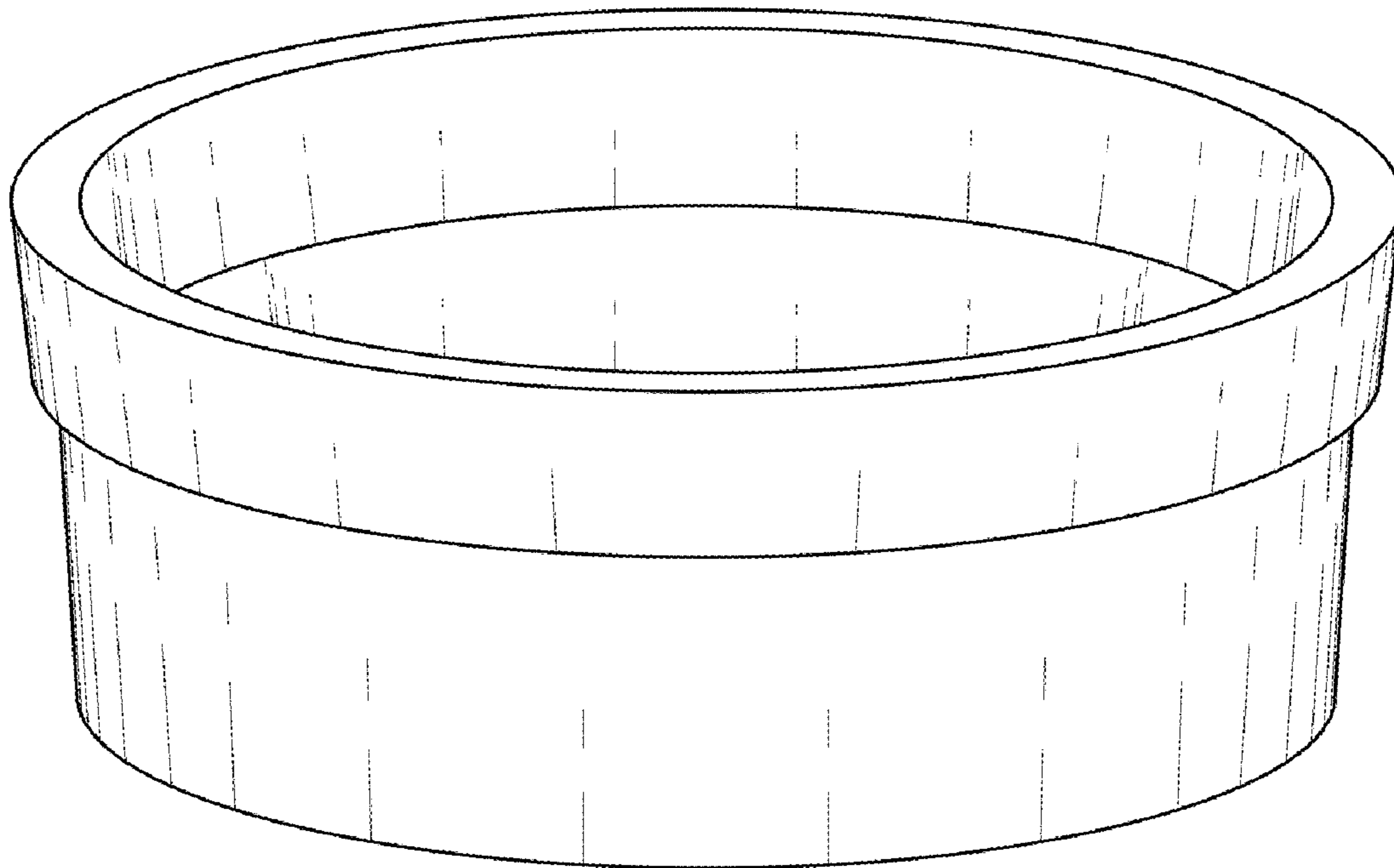
FIG. 1 is a top perspective view of a round sink embodying my new design;

FIG. 2 is a side plan view thereof, the front, back, left and right sides having the same image; and,

FIG. 3 is a top plan view thereof.

The broken lines shown in the drawings represent a hole in the sink and form no part of the claimed design.

1 Claim, 3 Drawing Sheets



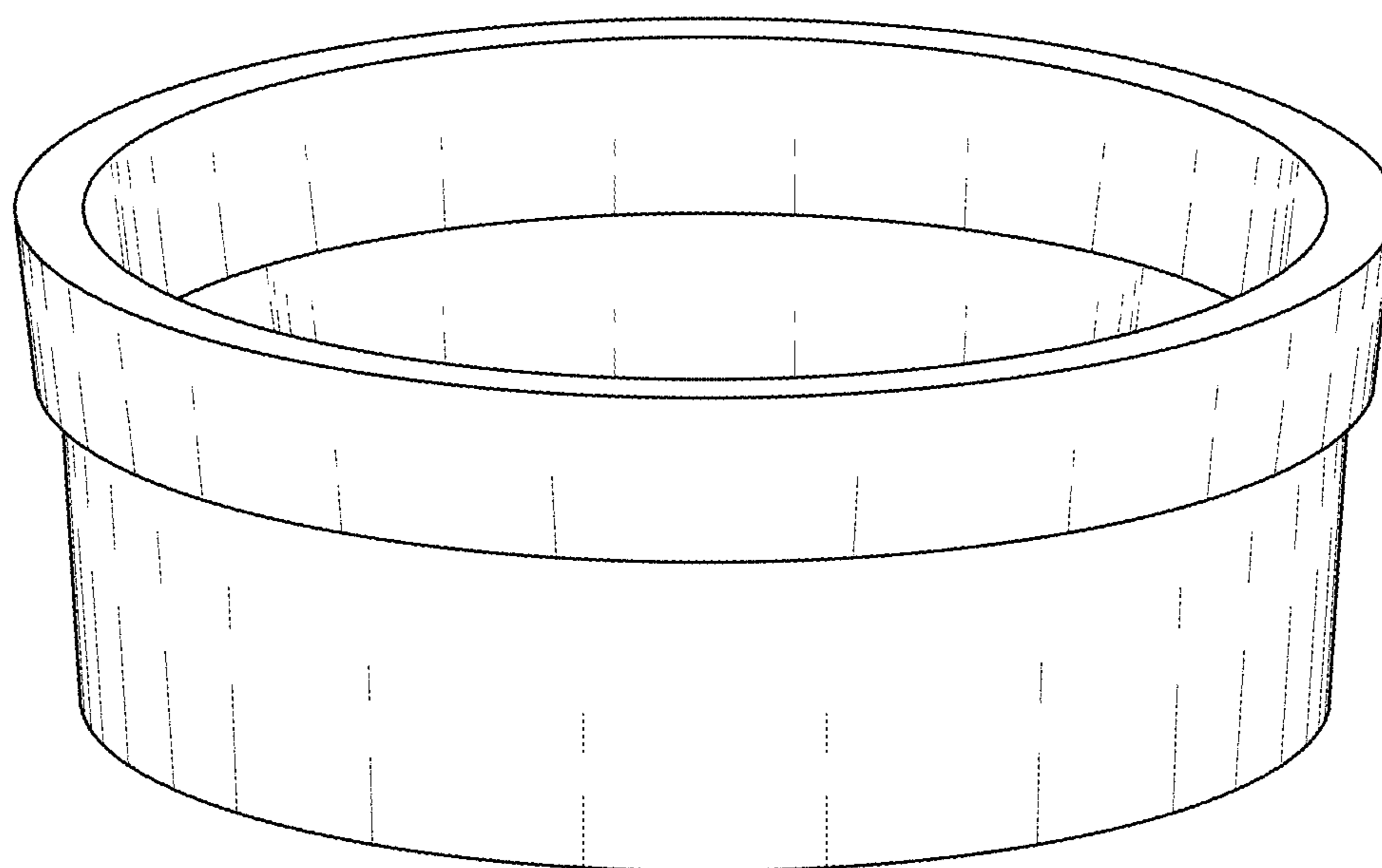


FIG. 1

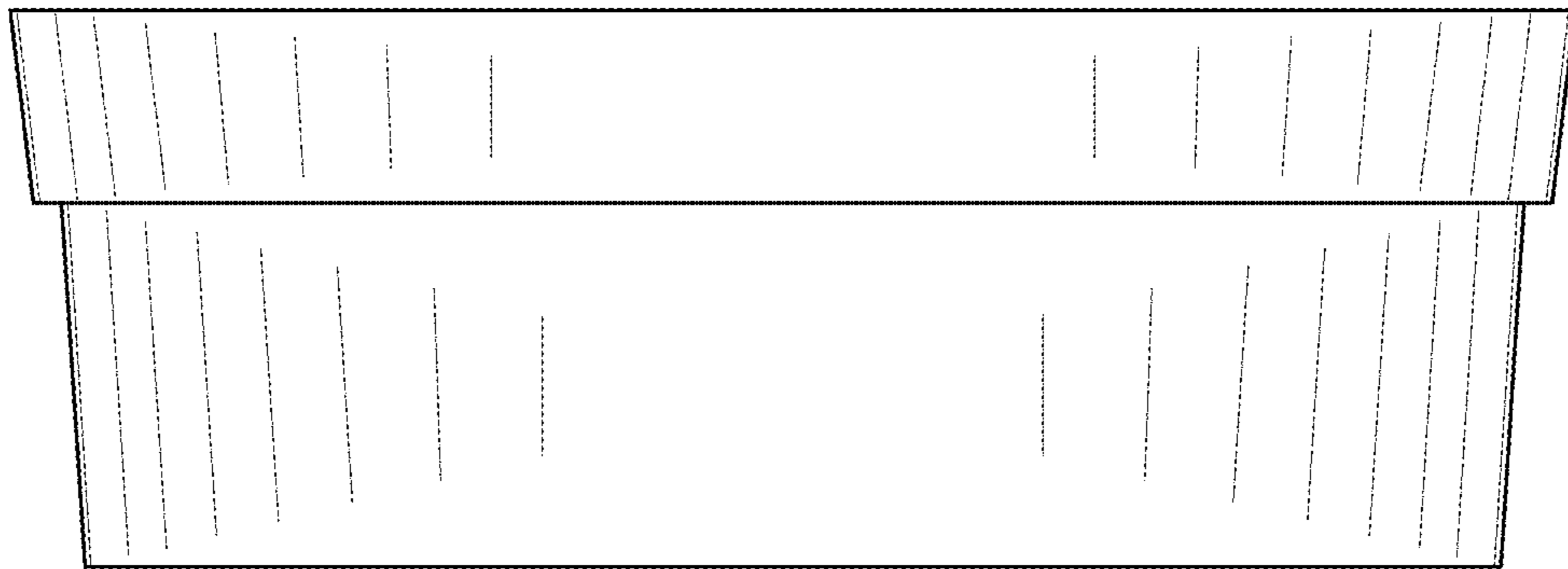


FIG. 2

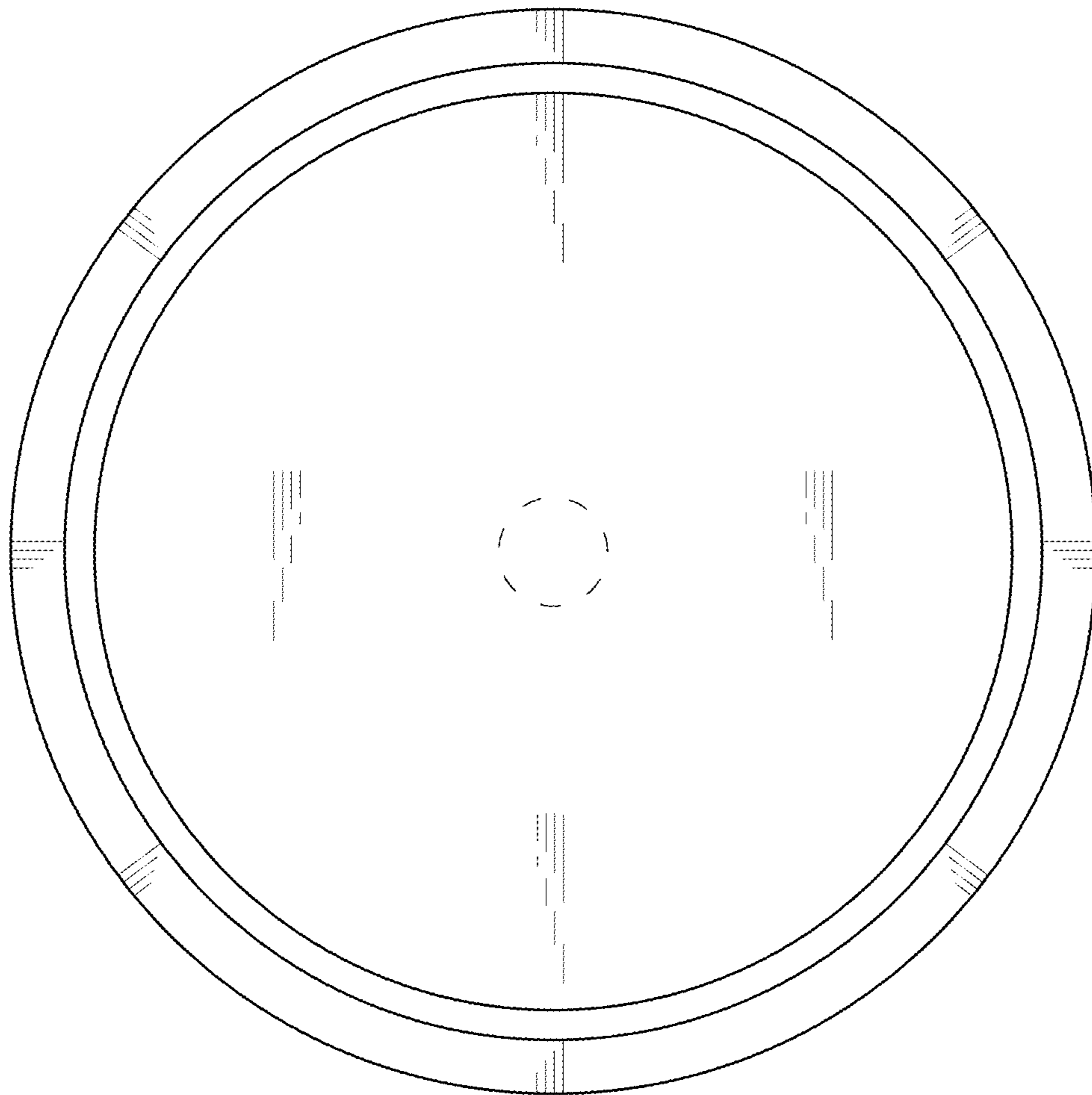


FIG. 3