



US00D842440S

(12) **United States Design Patent** (10) **Patent No.:** **US D842,440 S**
Sith et al. (45) **Date of Patent:** **** Mar. 5, 2019**

(54) **ELBOW FITTING**

17/025; F16L 17/035; F16L 21/0005;
F16L 21/08; F16L 23/00; F16L 23/18

See application file for complete search history.

(71) Applicant: **Victaulic Company**, Easton, PA (US)

(72) Inventors: **Ahmad Sith**, Bethlehem, PA (US);
Scott T. Stewart, Andover, MA (US);
Charles E. Wilk, Jr., Slatington, PA
(US); **Matthew A. Bowman**, Palmer,
PA (US); **Alan M. Yesavage**,
Lenhartsville, PA (US); **Scott D.**
Madara, Nazareth, PA (US)

(73) Assignee: **Victaulic Company**, Easton, PA (US)

(**) Term: **15 Years**

(21) Appl. No.: **29/635,485**

(22) Filed: **Jan. 31, 2018**

Related U.S. Application Data

(62) Division of application No. 29/581,932, filed on Oct.
24, 2016, now Pat. No. Des. 819,789.

(51) **LOC (11) Cl.** **23-01**

(52) **U.S. Cl.**
USPC **D23/263**

(58) **Field of Classification Search**
USPC D23/259, 262–266; D8/394, 396;
285/19, 21.1, 180–182, 179, 179.1, 212,
285/285.1, 340
CPC . F16L 33/23; F16L 33/28; F16L 33/01; F16L
33/00; F16L 55/18; F16L 37/107; F16L
37/144; F16L 21/005; F16L 21/02; F16L
21/06; F16L 41/00; F16L 41/06; F16L
41/021; F16L 17/00; F16L 17/04; F16L

(56) **References Cited**

U.S. PATENT DOCUMENTS

2,412,394	A *	12/1946	Giles	F16L 21/06 285/147.1
5,509,699	A *	4/1996	Himmelberger	F16L 23/024 285/321
6,450,551	B1 *	9/2002	Lee	F16L 17/04 285/373
D627,863	S *	11/2010	Ball	D23/262
8,820,795	B2 *	9/2014	Dole	F16L 17/04 285/179
9,182,058	B2 *	11/2015	Cygler, III	F16L 17/04
D764,029	S *	8/2016	Yovanovich	D23/259
D767,105	S *	9/2016	Richards	D23/263
9,903,515	B2 *	2/2018	Bancroft	F16J 15/022
D819,789	S *	6/2018	Sith	D23/263
10,024,467	B2 *	7/2018	Bowman	F16L 21/005

(Continued)

Primary Examiner — Eric L Goodman

Assistant Examiner — Amy C Wierenga

(74) *Attorney, Agent, or Firm* — Ballard Spahr LLP

(57) **CLAIM**

We claim the ornamental design for an elbow fitting, as shown and described.

DESCRIPTION

FIG. 1 is an isometric view of an elbow fitting showing our new design;
FIG. 2 is a front view of the design of the elbow fitting shown in FIG. 1;
FIG. 3 is a rear view of the design of the elbow fitting shown in FIG. 1;
FIG. 4 is a bottom view of the design of the elbow fitting shown in FIG. 1;
FIG. 5 is a top view of the design of the elbow fitting shown in FIG. 1;
FIG. 6 is a left side view of the design of the elbow fitting shown in FIG. 1; and,

(Continued)

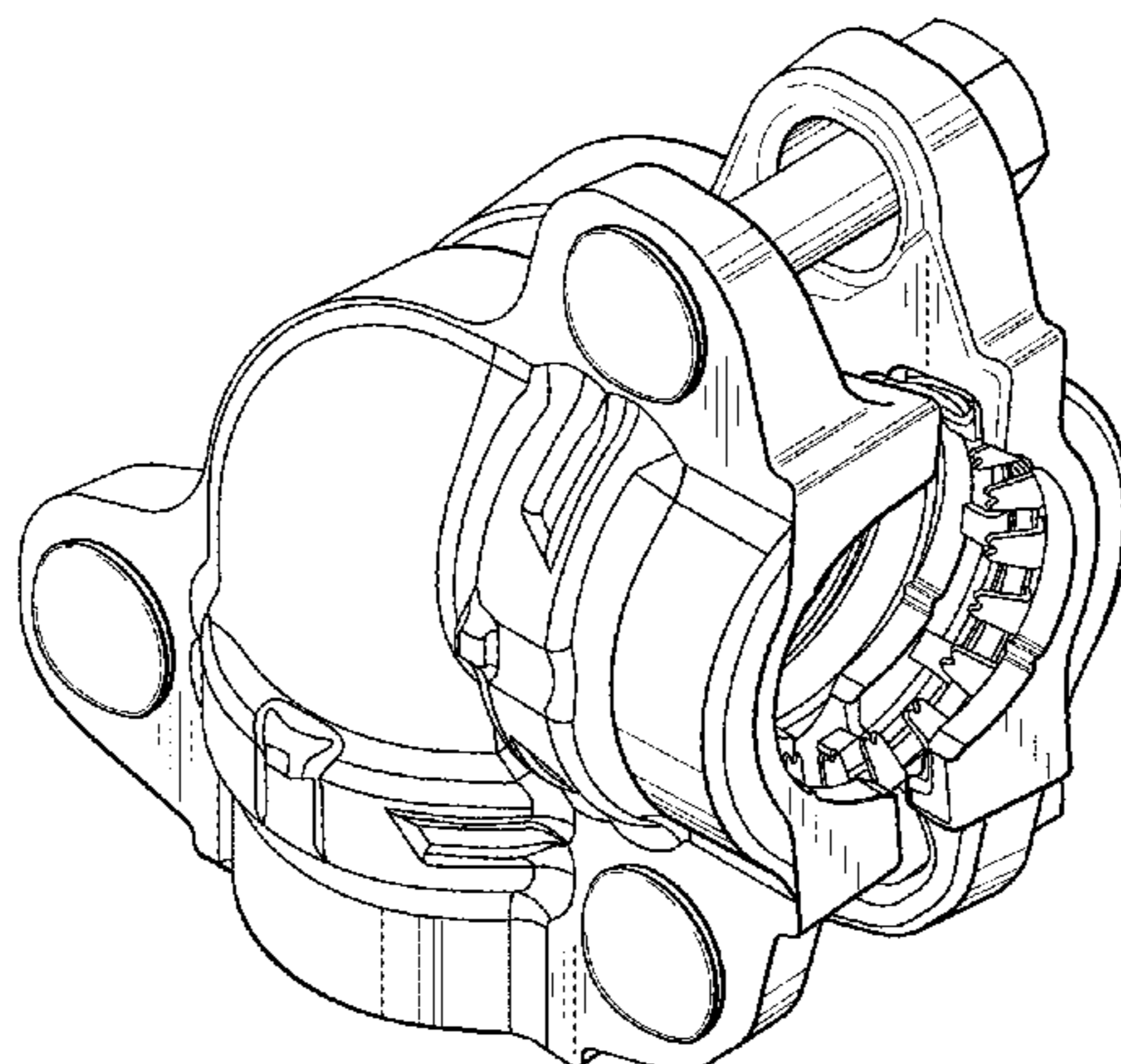


FIG. 7 is a right side view of the design of the elbow fitting shown in FIG. 1.

1 Claim, 4 Drawing Sheets

(56)

References Cited

U.S. PATENT DOCUMENTS

D832,985 S *	11/2018	Lee	D23/263
2012/0256418 A1 *	10/2012	Horgan	F16B 5/0275
			285/420
2013/0200609 A1 *	8/2013	Dole	F16L 17/04
			285/132.1
2013/0200610 A1 *	8/2013	Cygler, III	F16L 17/04
			285/132.1
2015/0021911 A1 *	1/2015	Bowman	F16L 21/005
			285/340
2017/0167645 A1 *	6/2017	Bancroft	F16J 15/022

* cited by examiner

FIG. 1

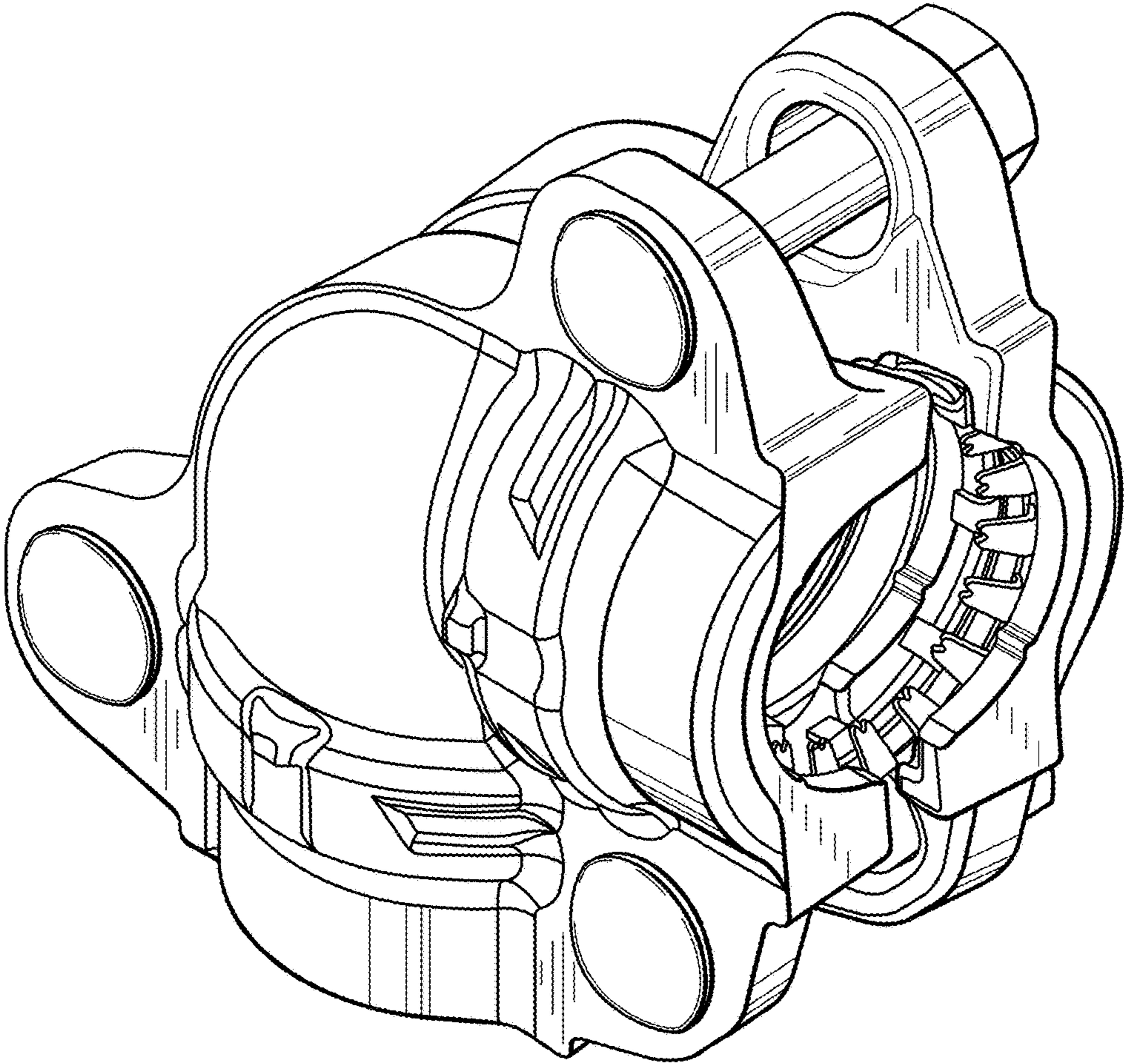


FIG. 2

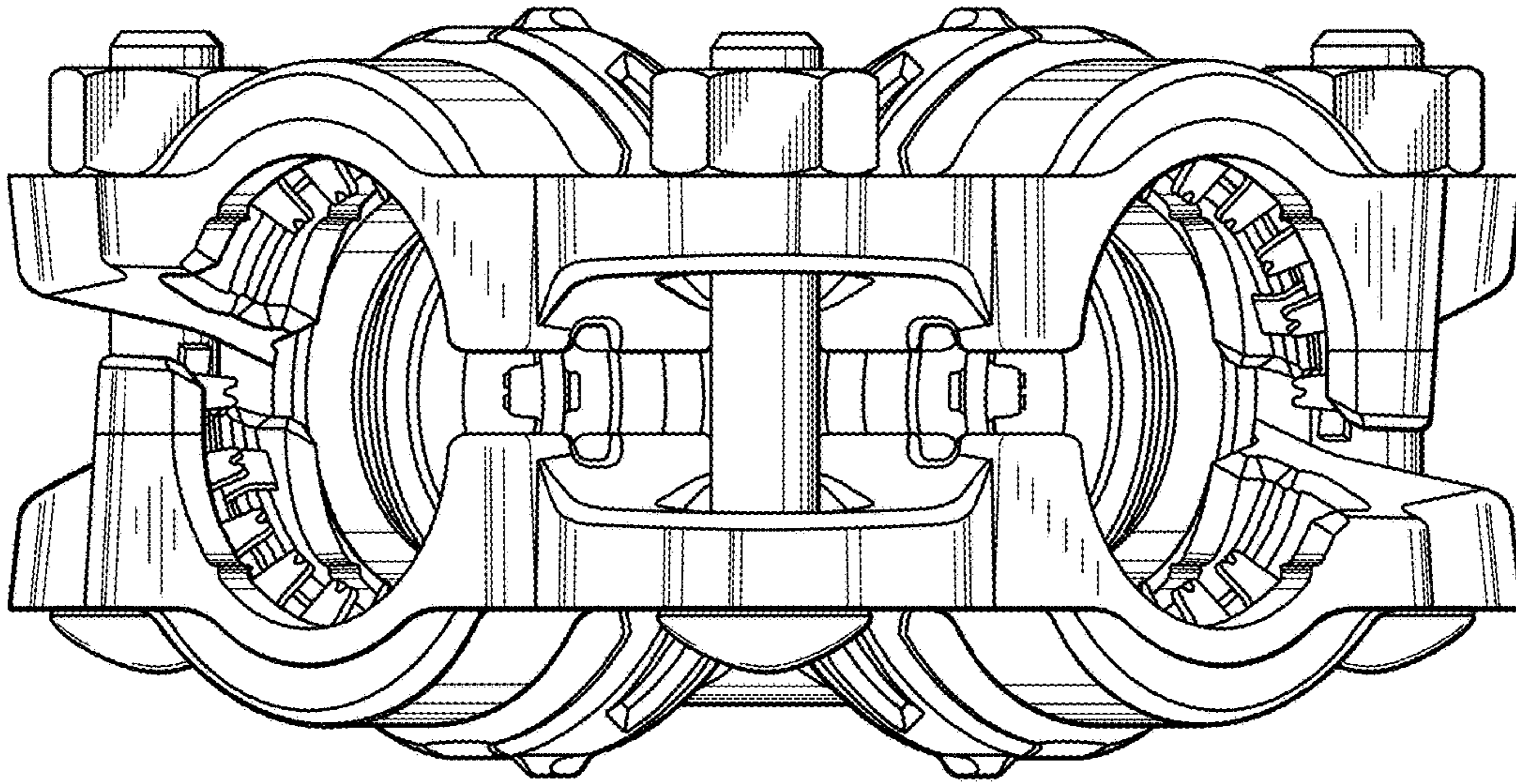


FIG. 3

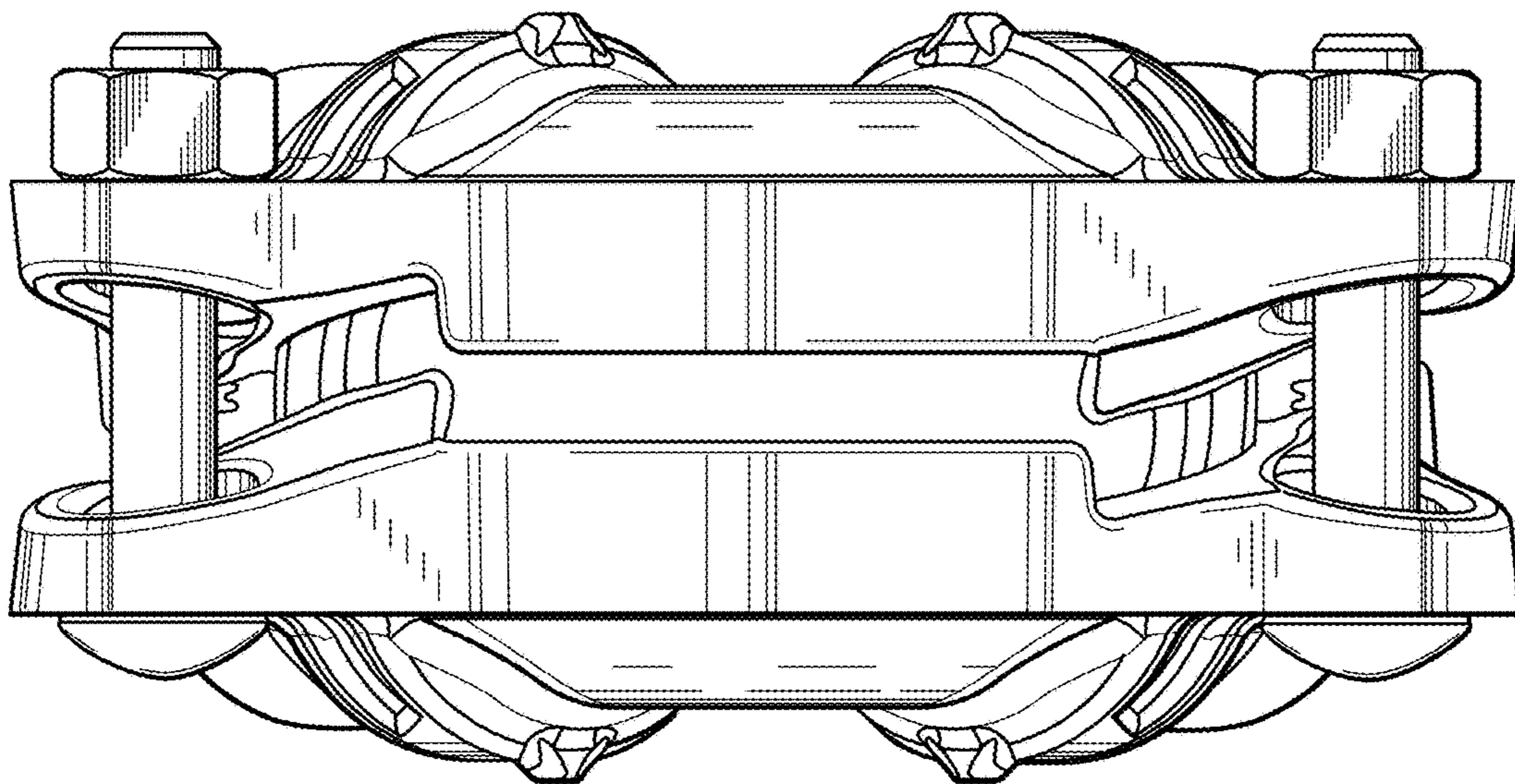


FIG. 4

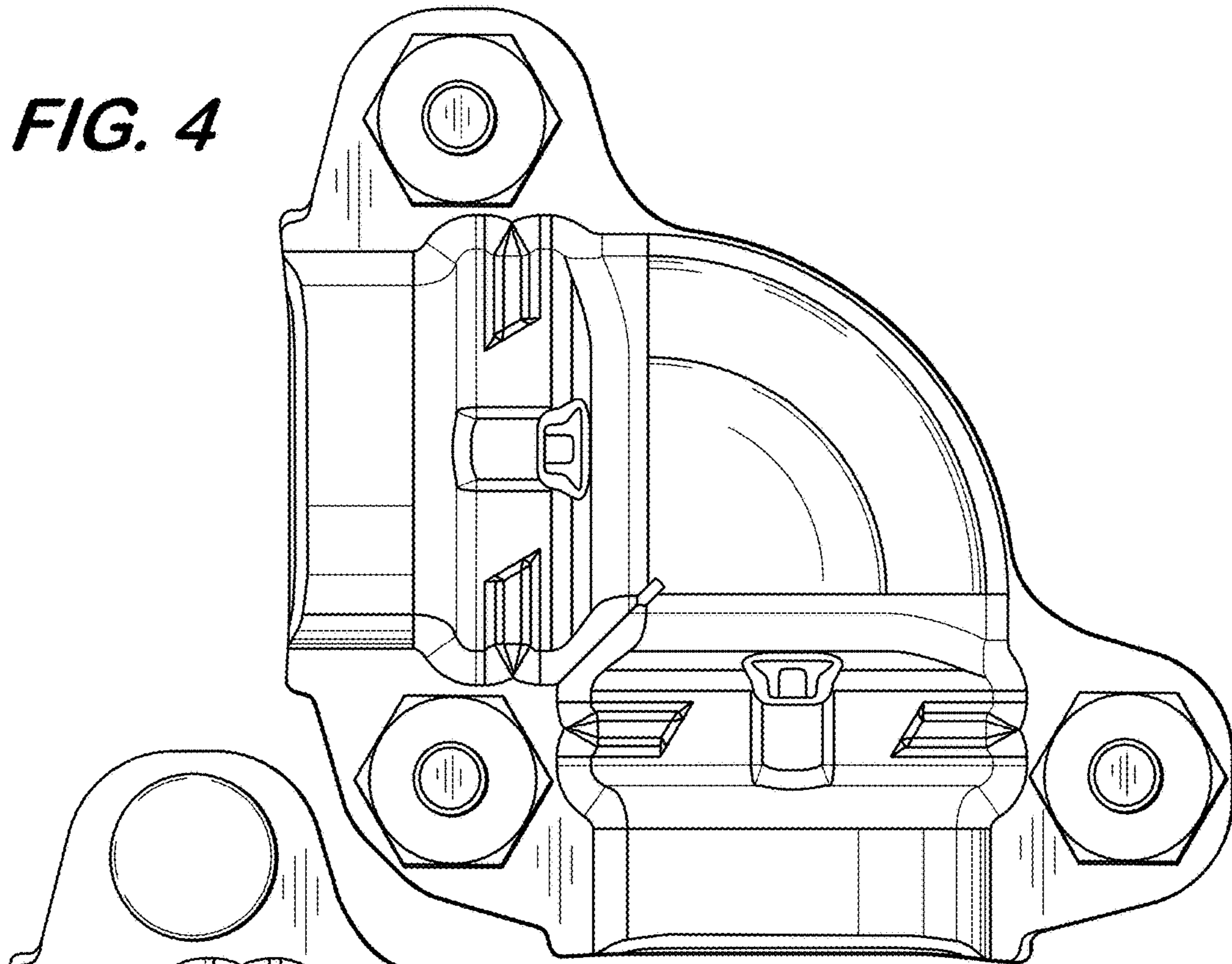


FIG. 5

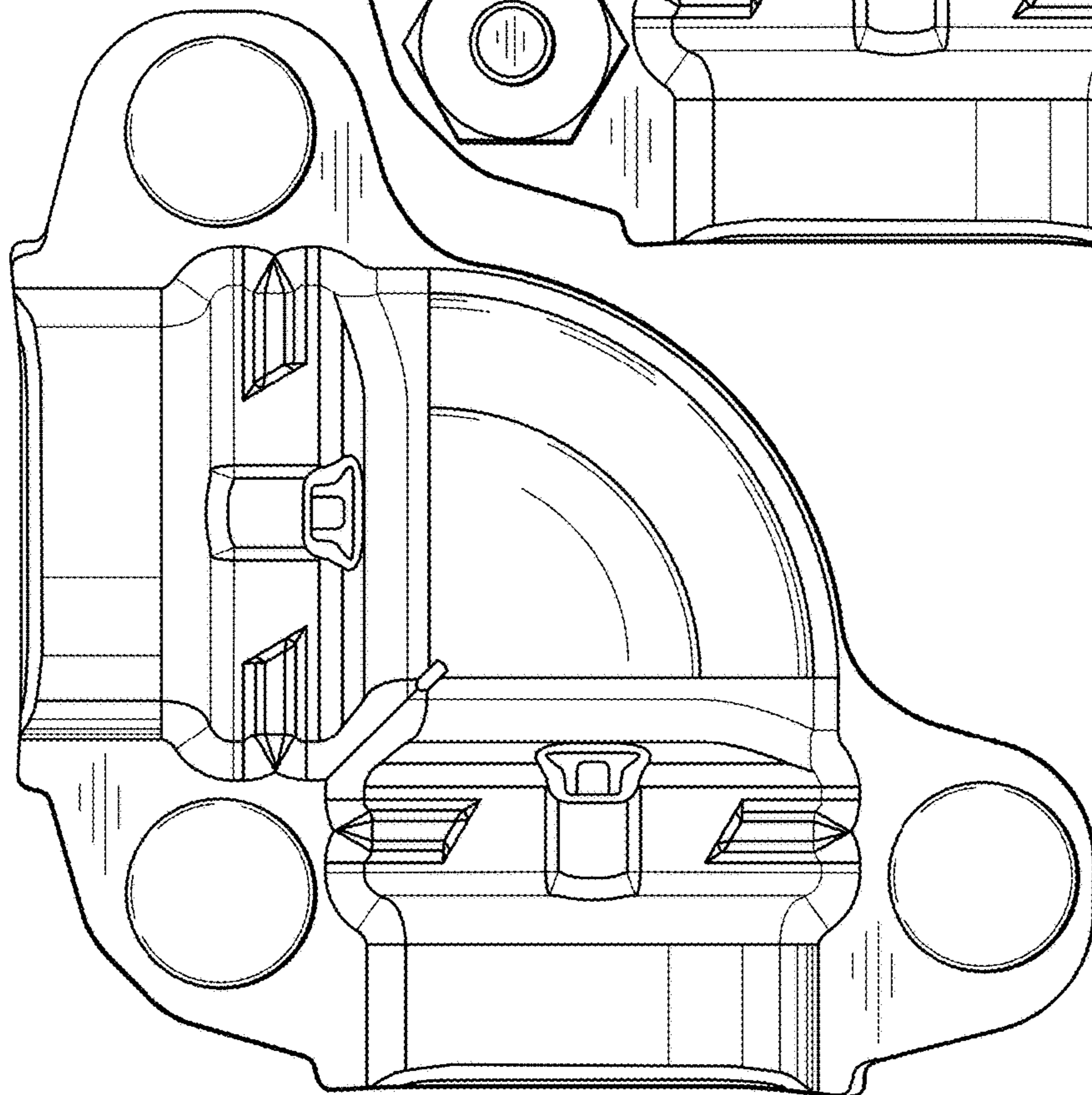


FIG. 6

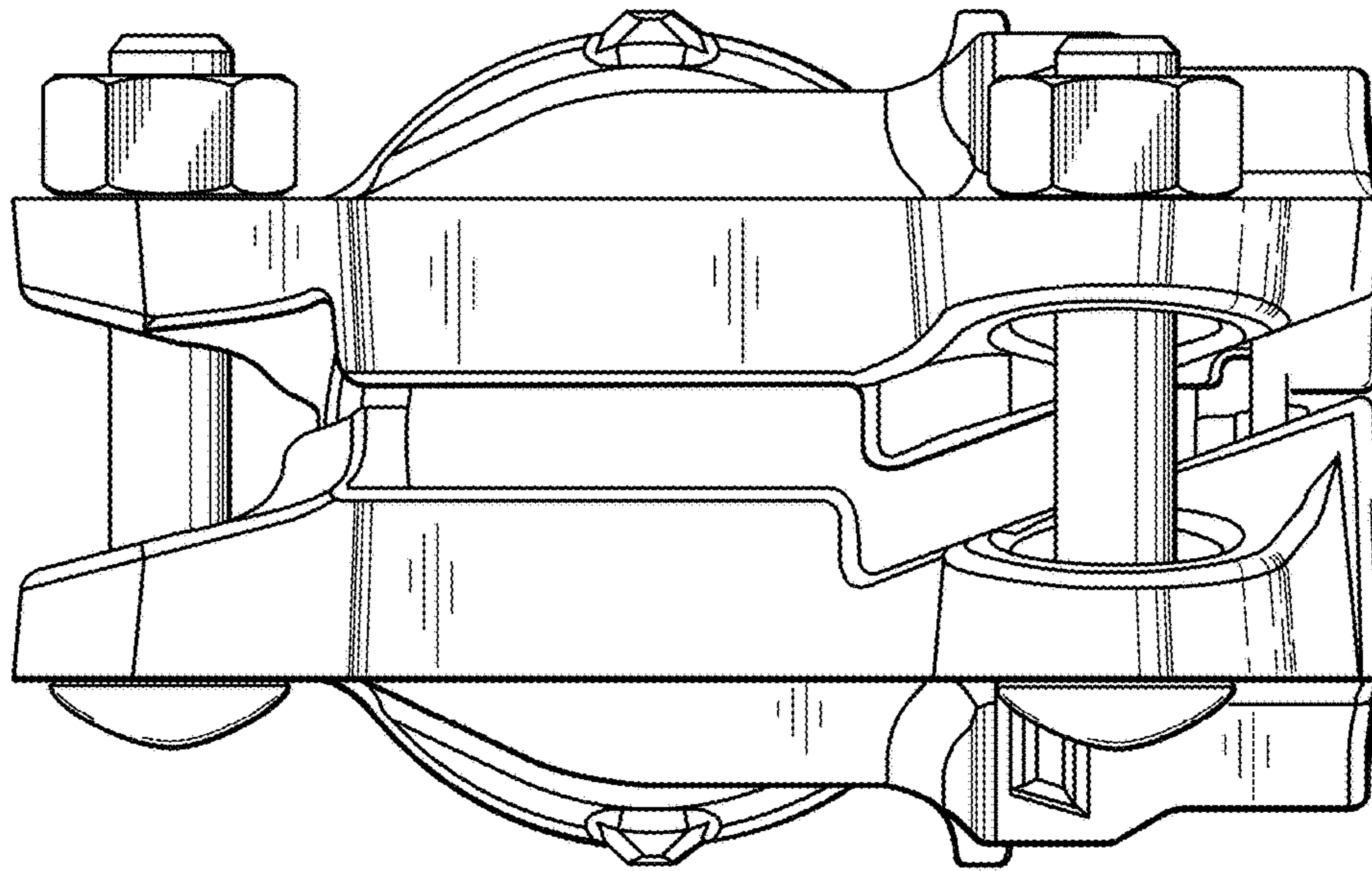


FIG. 7

