



US00D842439S

(12) **United States Design Patent**
Kelly

(10) **Patent No.:** **US D842,439 S**
(45) **Date of Patent:** **** Mar. 5, 2019**

(54) **PIPE COUPLING**

(71) Applicant: **Smart Syphon Pty Ltd**, St. Lucia (AU)

(72) Inventor: **Gavin Andrew Kelly**, St. Lucia (AU)

(73) Assignee: **SMART SYPHON PTY LTD**, St Lucia (AU)

(**) Term: **15 Years**

(21) Appl. No.: **29/613,744**

(22) Filed: **Aug. 13, 2017**

(30) **Foreign Application Priority Data**

Feb. 15, 2017 (AU) 201710900

(51) **LOC (11) Cl.** **23-01**

(52) **U.S. Cl.**
USPC **D23/263**

(58) **Field of Classification Search**
USPC D23/259, 262-263, 260, 264-265, 268;
D8/394, 396; 285/179, 179.1, 180-181,
285/183-185
CPC F16L 58/00; F16L 59/161; F16L 35/00;
F16L 43/001; F16L 43/002; F16L 43/00;
F16L 21/005; F16L 21/06; F16L 213/08;
F16L 21/04; E02B 11/00; E02B 11/005;
E02B 13/00; E02B 13/02

See application file for complete search history.

(56) **References Cited**

U.S. PATENT DOCUMENTS

D28,572 S * 5/1898 Rose D23/263
D31,553 S * 9/1899 Glauber D23/263

D52,954 S * 2/1919 Hubbard et al. D13/155
2,005,969 A * 6/1935 Cornell, Jr. F16L 41/02
217/12 A
2,078,195 A * 4/1937 Cornell, Jr. B21C 37/28
285/179
2,155,080 A * 4/1939 Cornell, Jr. F16L 43/02
285/179
2,183,271 A * 12/1939 Wendel B21C 37/29
285/133.3
3,200,023 A * 8/1965 Cilker B29D 1/005
138/109
D467,648 S * 12/2002 Delva D23/266
D523,123 S * 6/2006 Wilk, Jr. D23/262
D727,472 S * 4/2015 Bednarz D23/263
D733,266 S * 6/2015 Bednarz D23/263
D739,509 S * 9/2015 Bazemore D23/263
2018/0002880 A1 * 1/2018 Kelly B05B 17/04

* cited by examiner

Primary Examiner — Eric L Goodman

Assistant Examiner — Amy C Wierenga

(74) *Attorney, Agent, or Firm* — JMB Davis Ben-David

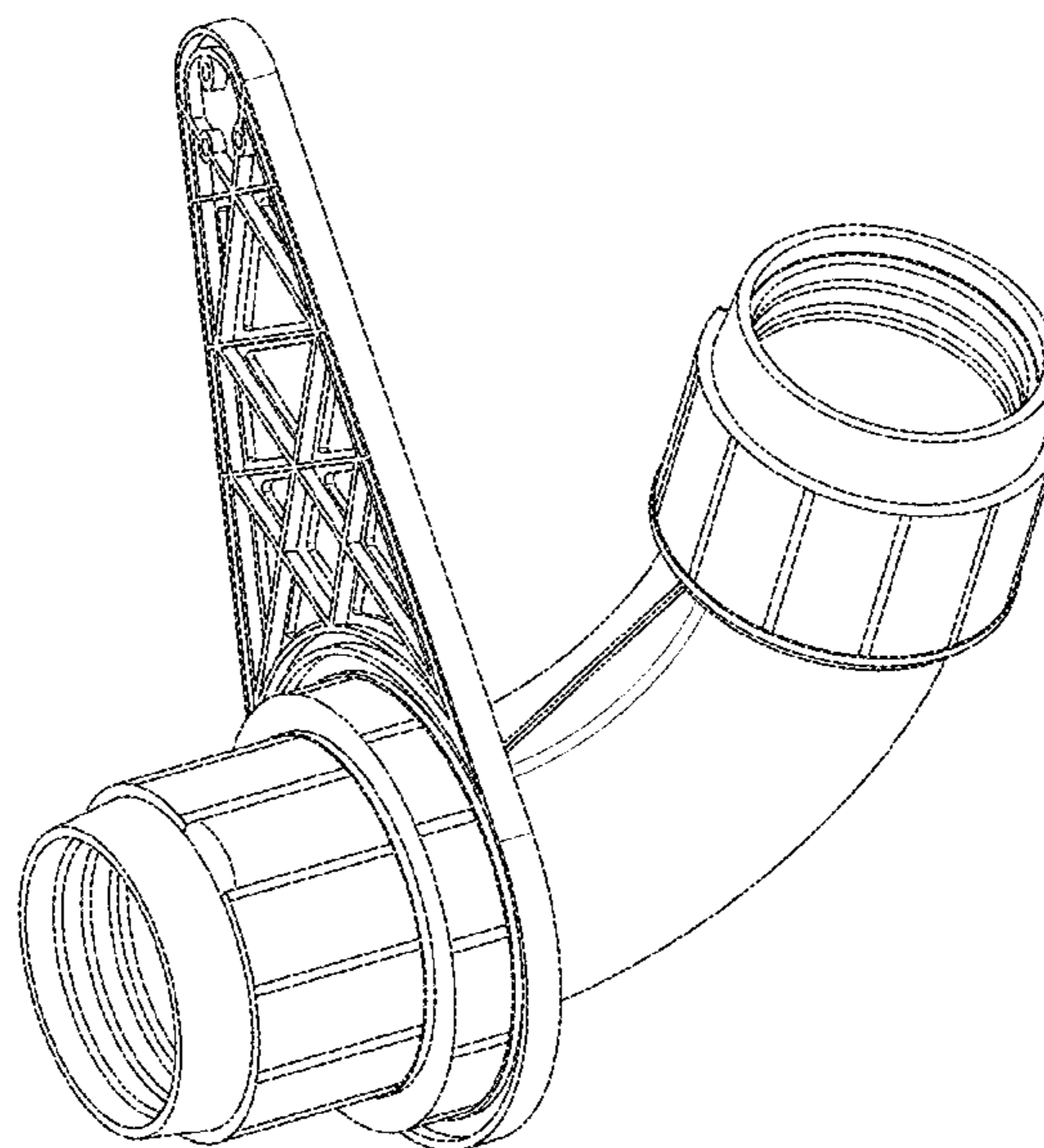
(57) **CLAIM**

The ornamental design for a pipe coupling, as shown and described.

DESCRIPTION

FIG. 1 shows an isometric front left view of a pipe coupling; FIG. 2 is a left-side view thereof; FIG. 3 is a right-side view thereof; FIG. 4 is a rear view thereof; FIG. 5 is a top view thereof; FIG. 6 is a bottom view thereof; FIG. 7 is an isometric rear right view thereof; and, FIG. 8 is an exploded view thereof.

1 Claim, 8 Drawing Sheets



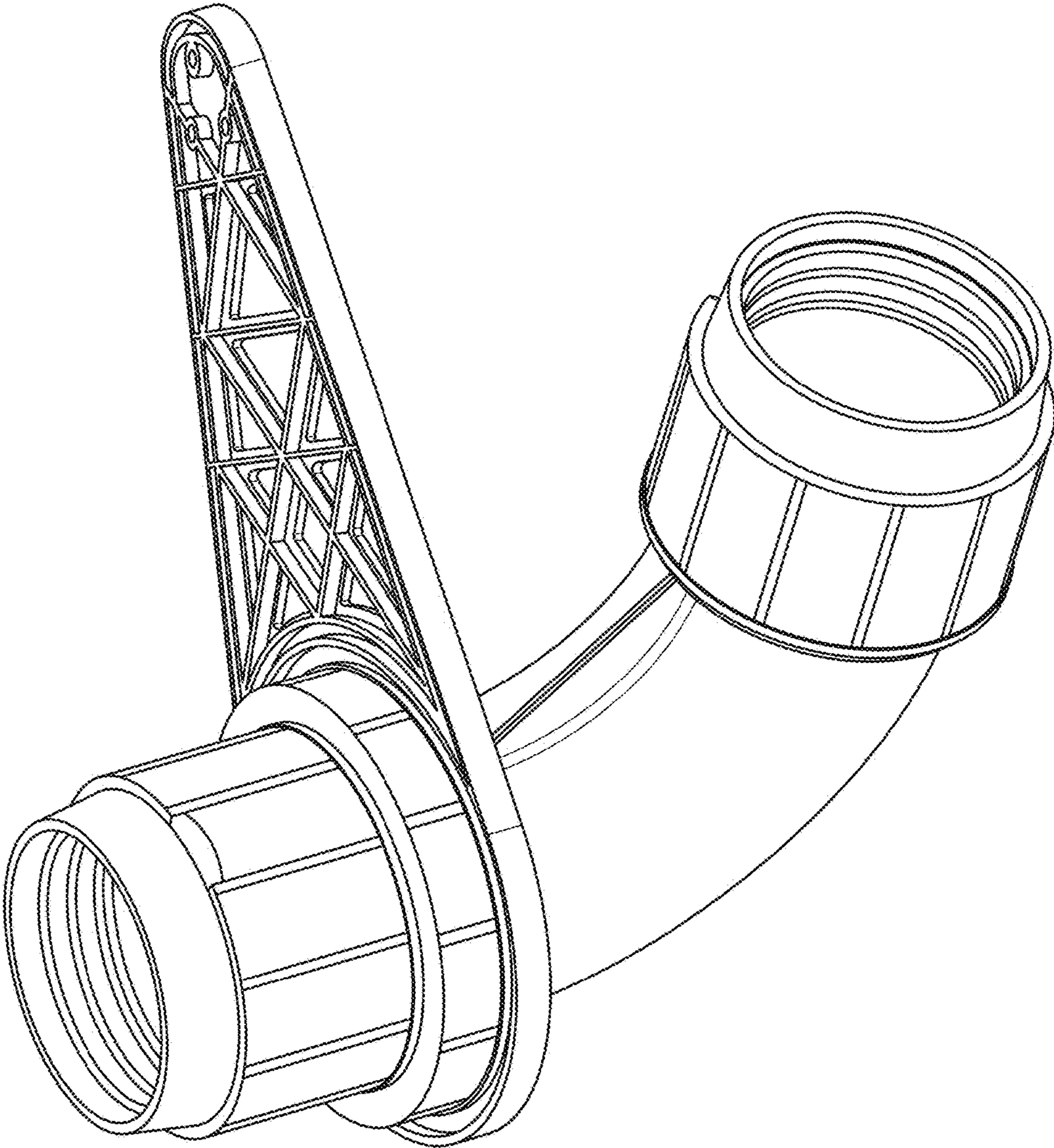


Fig. 1

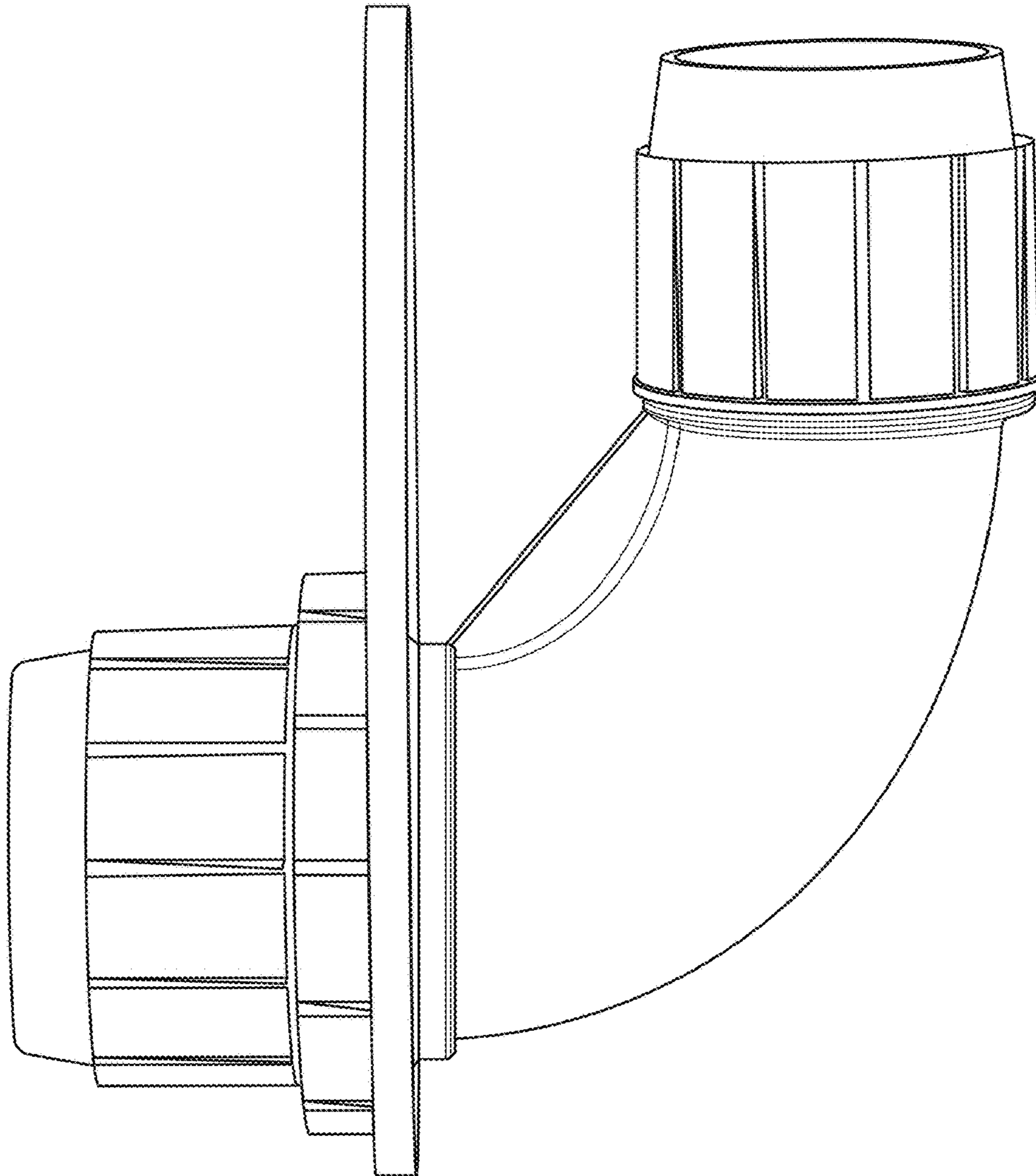


Fig. 2

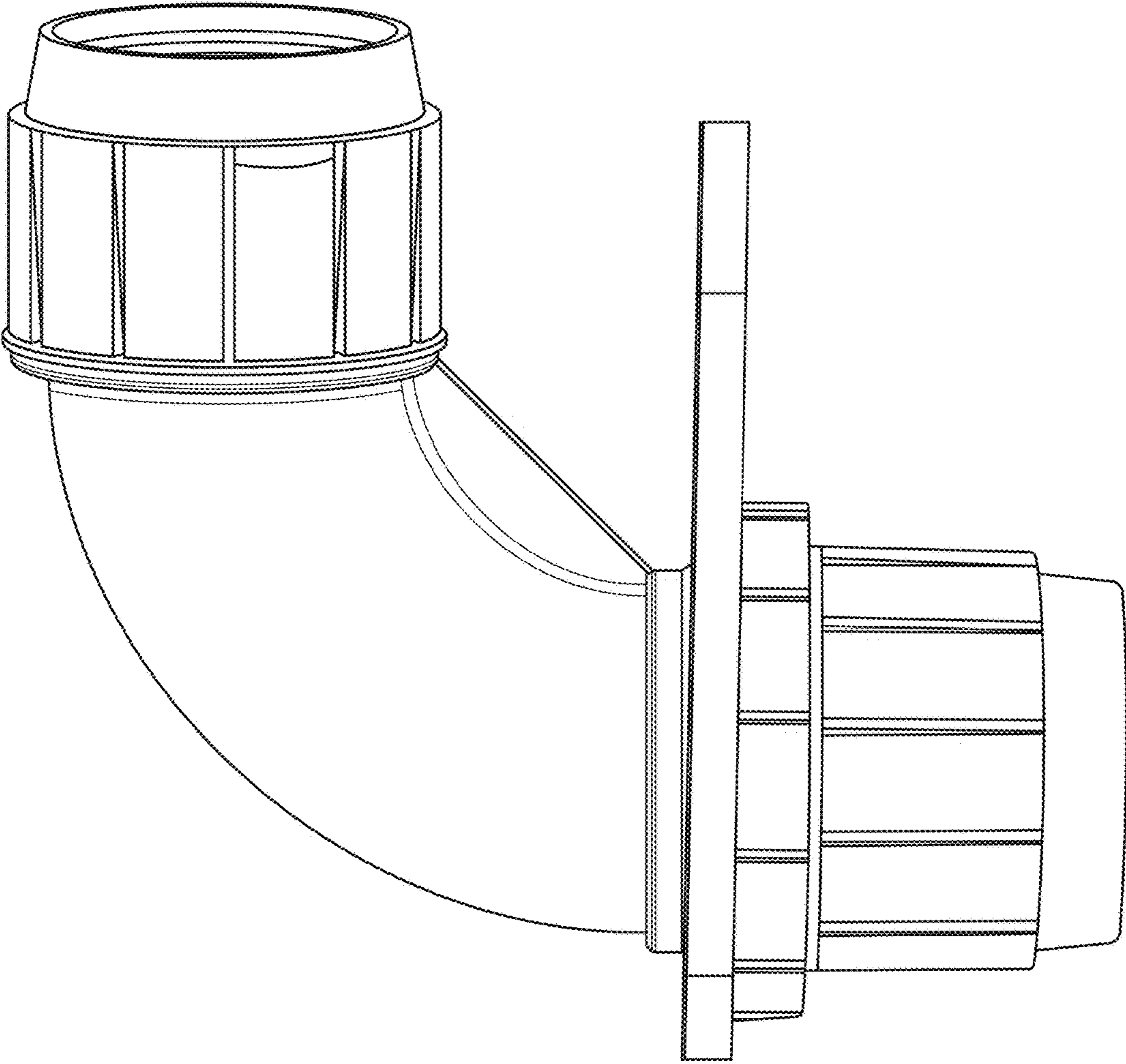


Fig. 3

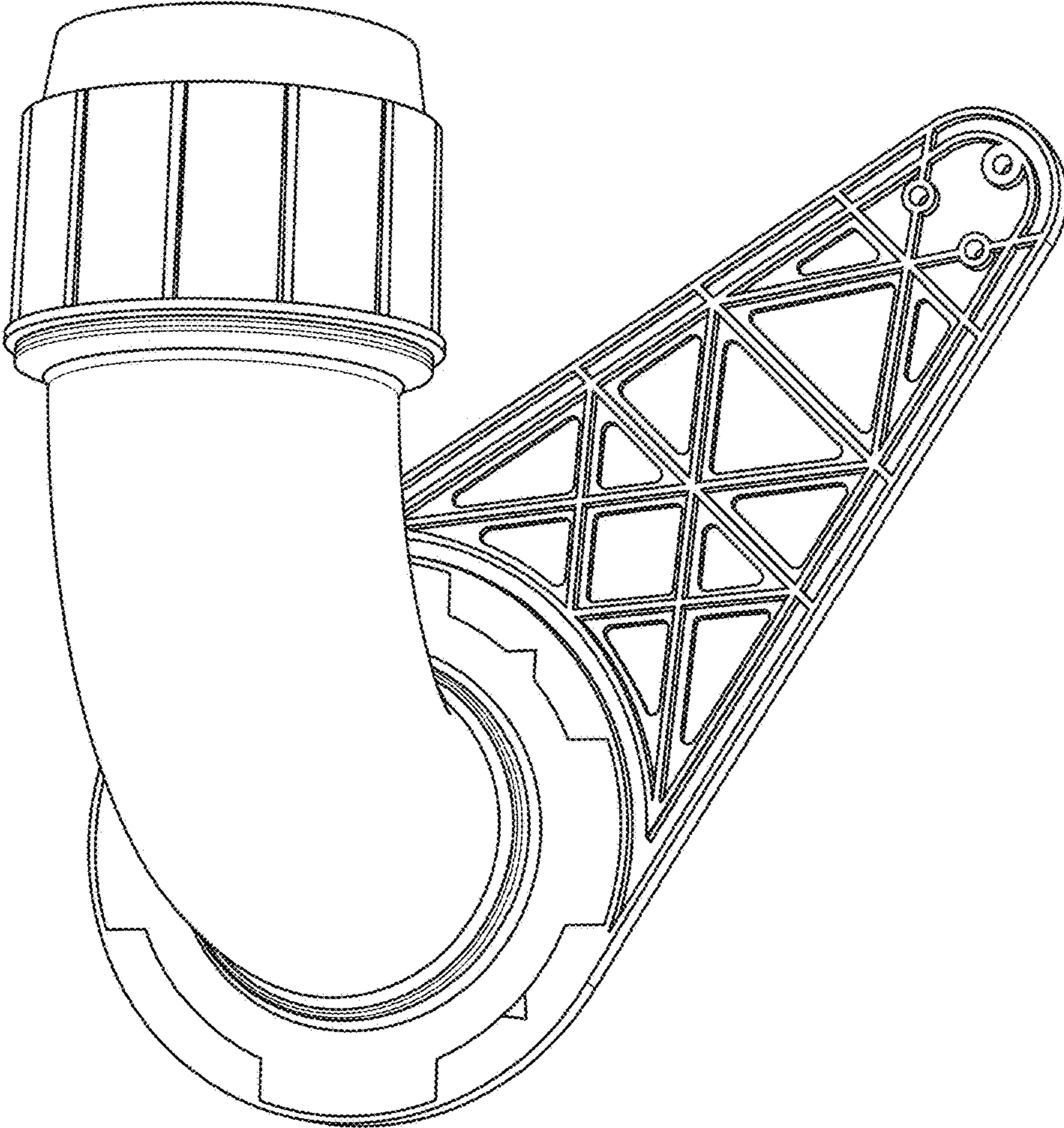


Fig. 4

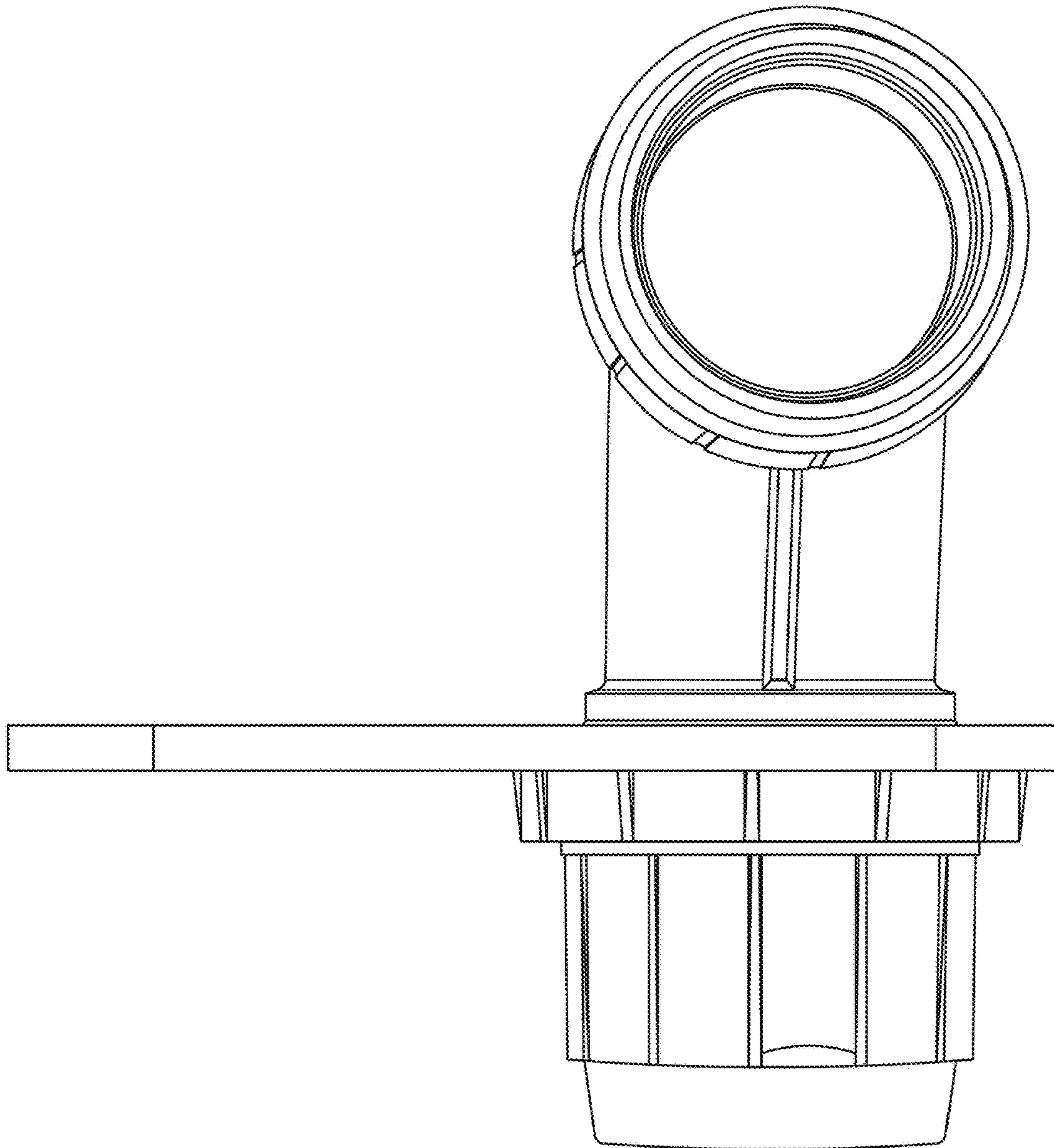


Fig. 5

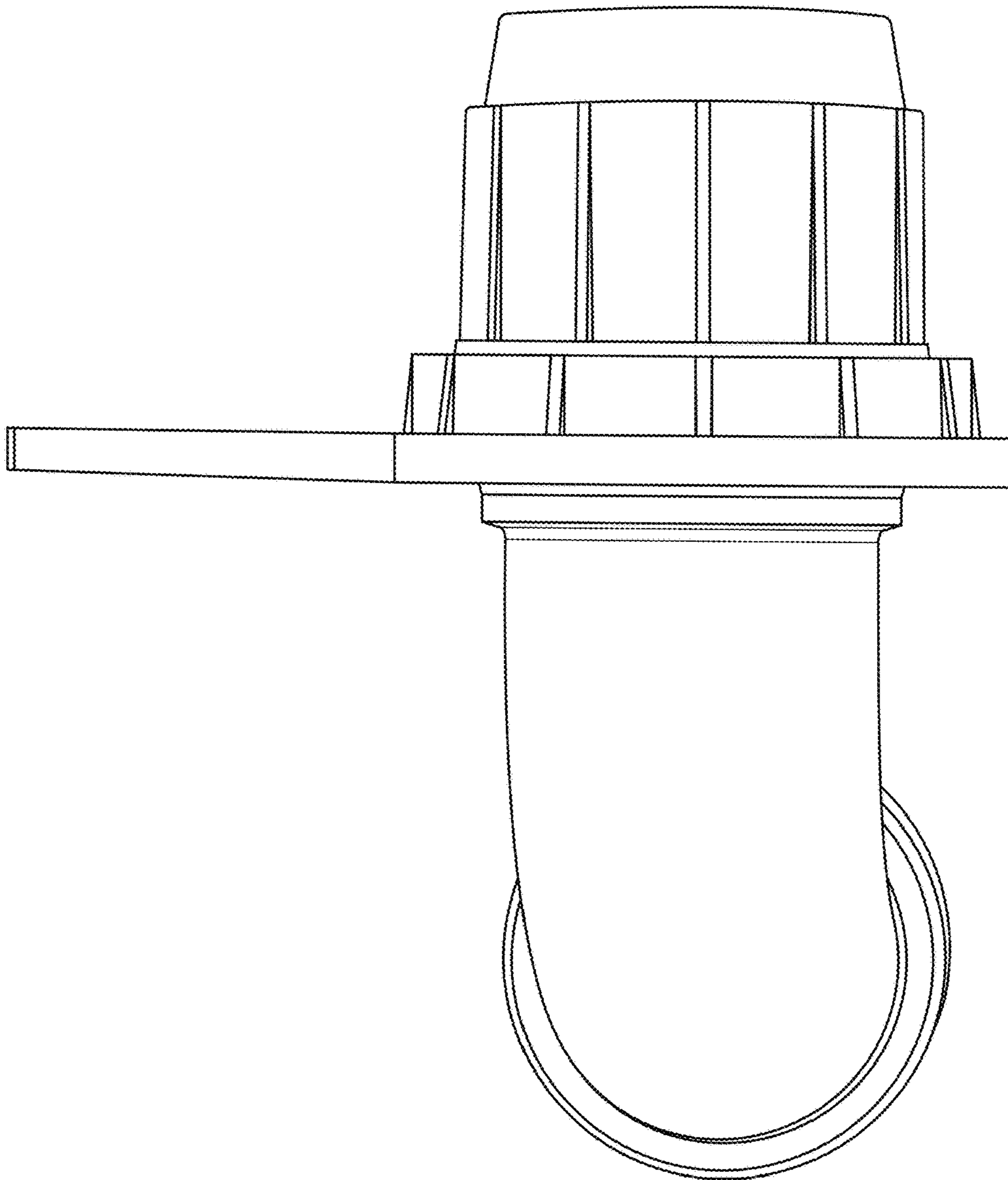


Fig. 6

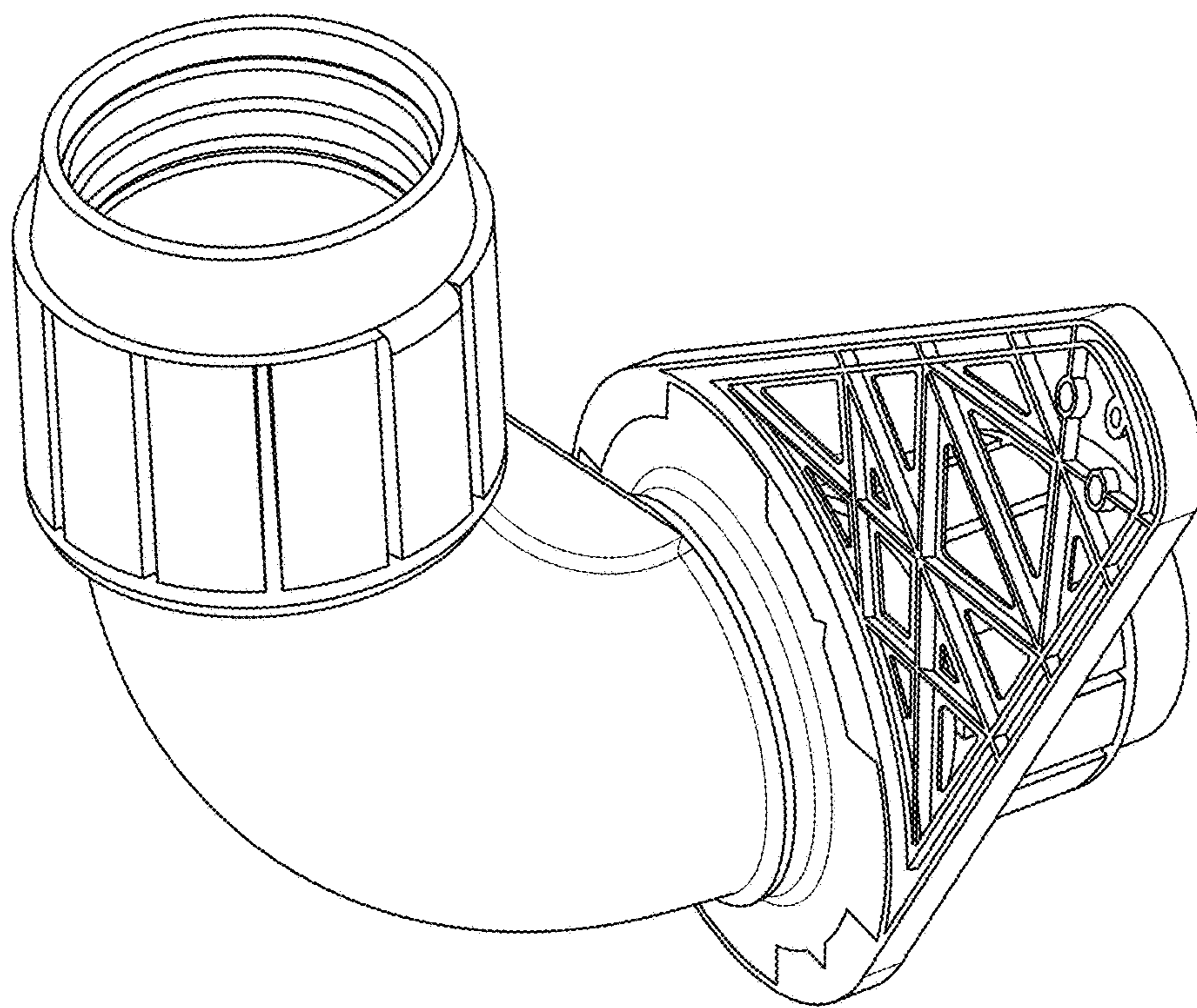


Fig. 7

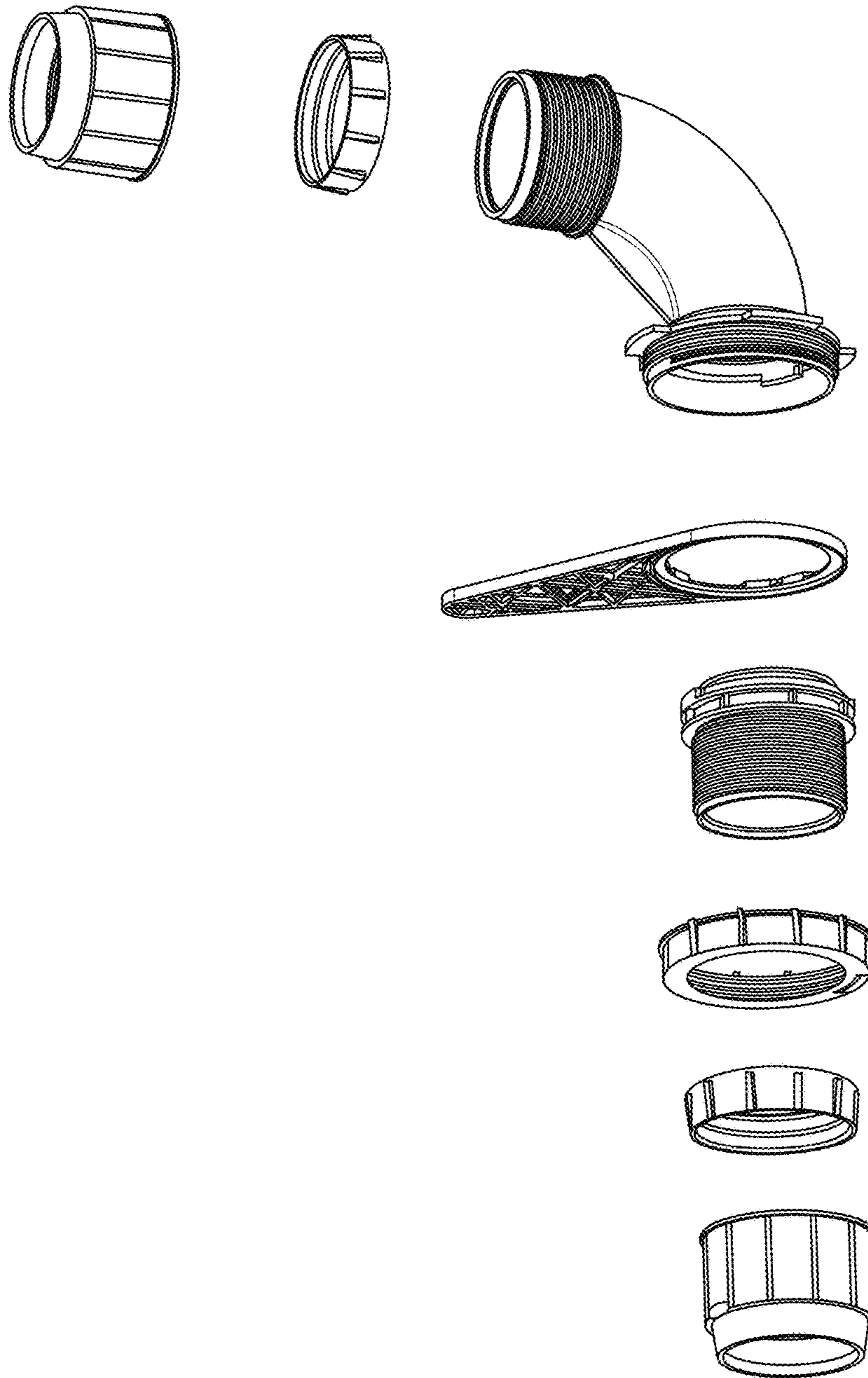


Fig. 8