



US00D842438S

(12) **United States Design Patent**
Montoya et al.

(10) **Patent No.:** **US D842,438 S**
(45) **Date of Patent:** **** Mar. 5, 2019**

- (54) **COUPLING**
- (71) Applicant: **Fiskars Finland Oy Ab**, Helsinki (FI)
- (72) Inventors: **Jean Mauricio Uruena Montoya**,
Madison, WI (US); **Nicholas Vallo**,
Madison, WI (US)
- (73) Assignee: **Fiskars Finland Oy Ab**, Helsinki (FI)
- (**) Term: **15 Years**
- (21) Appl. No.: **29/600,633**
- (22) Filed: **Apr. 13, 2017**
- (51) **LOC (11) Cl.** **23-01**
- (52) **U.S. Cl.**
USPC **D23/262**
- (58) **Field of Classification Search**
USPC D23/259–260, 262–266, 223, 233, 245;
D8/382, 394–396; 403/290, 343, 344, 75,
403/78, 44, 46, 57, 300, 296, 314;
285/15, 180, 181, 197, 205, 206, 11, 12,
285/38, 86, 89, 90, 92, 242, 245, 247,
285/366, 368, 406, 410, 412, 415, 179,
285/270; 251/147, 148, 149.4, 149.6,
251/152, 155; 137/614.06, 798
CPC . F16L 21/02; F16L 21/06; F16L 55/18; F16L
15/22; F16L 23/00; F16L 21/022; F16L
37/113; F16L 37/133; F16L 37/138; F16L
37/252; F16L 41/007; F16L 27/06; F16J
15/22; F16J 1/005; B65D 45/34; E03C
1/26; E03C 1/28; E03C 1/262
See application file for complete search history.

- (56) **References Cited**
U.S. PATENT DOCUMENTS
646,590 A * 4/1900 Williams F16L 33/223
285/247
1,148,630 A 8/1915 Schmidt
2,364,905 A 12/1944 Lewis

- 2,376,881 A 5/1945 Nielsen
- 2,813,730 A * 11/1957 Courtot F16L 33/22
285/242
- 2,814,862 A * 12/1957 Heckethorn B21C 37/15
285/148.13
- 2,985,384 A 5/1961 Martin
- 3,150,829 A 9/1964 Specht et al.
- 3,162,470 A * 12/1964 Owens F16L 37/113
285/272
- D296,579 S * 7/1988 Hattori D23/262
- D329,891 S * 9/1992 Sievers D23/262
- 5,192,219 A * 3/1993 Fowler H01R 13/622
285/92
- 5,364,135 A * 11/1994 Anderson E03C 1/021
277/622
- 5,806,770 A 9/1998 Wang
(Continued)

OTHER PUBLICATIONS

U.S. Appl. No. 29/600,627, filed Apr. 13, 2017, Fiskars OYJ ABP.
(Continued)

Primary Examiner — Eric L Goodman
Assistant Examiner — Amy C Wierenga
(74) *Attorney, Agent, or Firm* — Foley & Lardner LLP

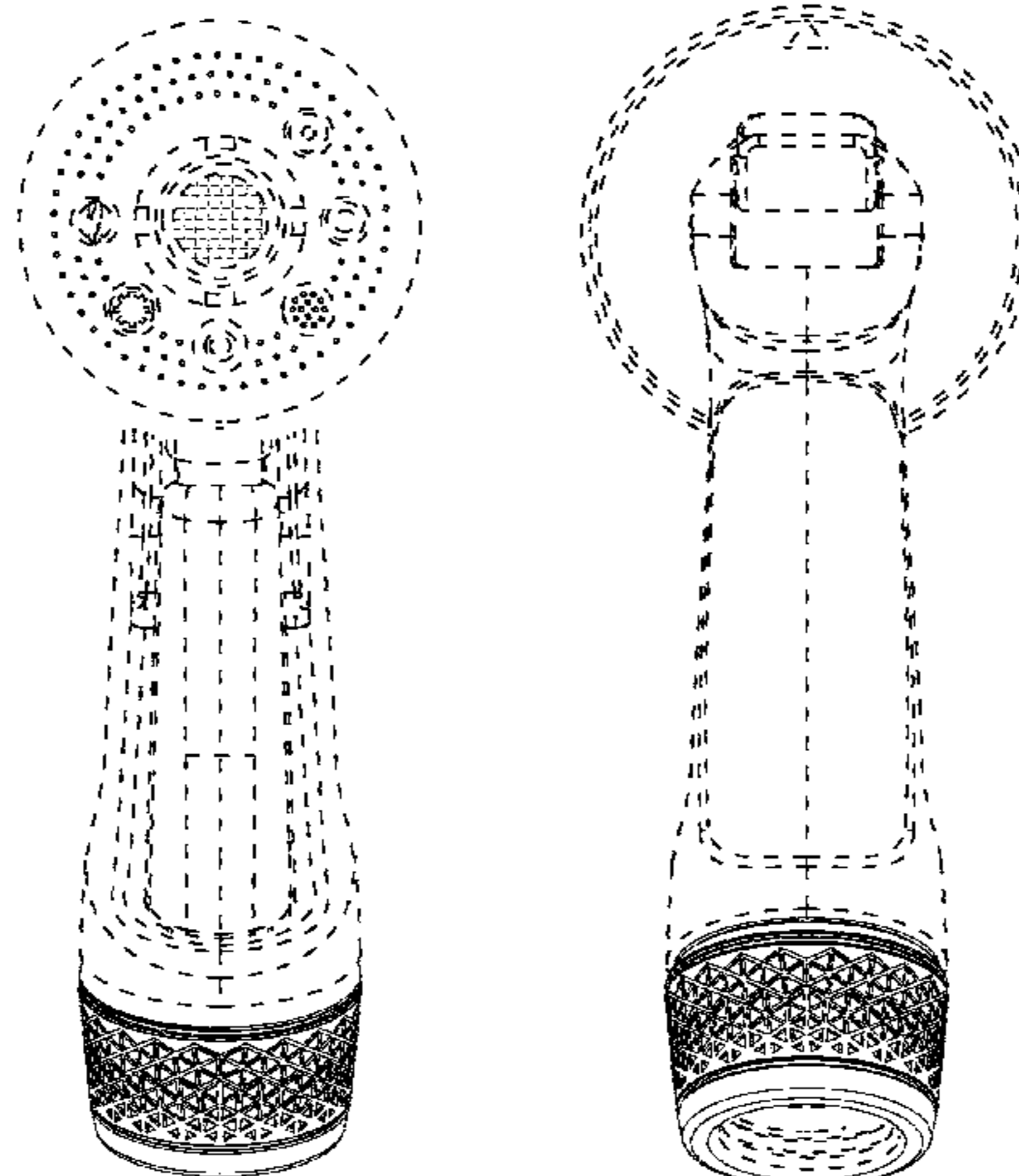
(57) **CLAIM**

We claim the ornamental design for a coupling, as shown and described.

DESCRIPTION

FIG. 1 is a top perspective view of the coupling;
FIG. 2 is front view thereof;
FIG. 3 is a rear view thereof;
FIG. 4 is a left side view thereof;
FIG. 5 is a right side view thereof;
FIG. 6 is a bottom view thereof; and,
FIG. 7 is a top view thereof.
The broken lines shown in the drawings depict an environment that forms no part of the claim.

1 Claim, 6 Drawing Sheets



(56)

References Cited

U.S. PATENT DOCUMENTS

D472,959 S 4/2003 Alkalay et al.
 6,602,085 B2* 8/2003 Young H01R 13/622
 439/321
 7,124,965 B1 10/2006 Chen
 7,258,285 B1 8/2007 Combs et al.
 D603,940 S* 11/2009 Jerabek D23/262
 D604,389 S 11/2009 Cheng
 D604,390 S 11/2009 Cheng
 D615,615 S 5/2010 Cheng
 D619,208 S 7/2010 Jian et al.
 D650,042 S 12/2011 Nies et al.
 D650,044 S 12/2011 Nies et al.
 D650,045 S 12/2011 Nies
 D678,980 S 3/2013 Nies et al.
 D702,319 S 4/2014 Mammen
 D712,512 S 9/2014 Mammen et al.
 D714,422 S 9/2014 Mammen et al.
 D714,423 S 9/2014 Mammen et al.
 D714,908 S 10/2014 Mammen et al.
 D736,350 S 8/2015 Cheng
 D746,946 S 1/2016 Naslund
 D746,947 S 1/2016 Naslund
 D748,758 S 2/2016 Duong
 9,559,458 B2* 1/2017 Zhang

D779,041 S 2/2017 Chen
 D782,005 S 3/2017 Naslund et al.
 D782,007 S 3/2017 Naslund
 D782,008 S 3/2017 Naslund et al.
 D783,125 S 4/2017 Chen
 D792,947 S 7/2017 Hung
 D799,001 S 10/2017 Gooden
 D799,002 S 10/2017 Gooden
 D802,092 S 11/2017 Naslund et al.
 D808,499 S 1/2018 Naslund et al.

OTHER PUBLICATIONS

U.S. Appl. No. 29/600,628, filed Apr. 13, 2017, Fiskars OYJ ABP.
 U.S. Appl. No. 29/600,631, filed Apr. 13, 2017, Fiskars OYJ ABP.
 U.S. Appl. No. 29/600,632, filed Apr. 13, 2017, Fiskars OYJ ABP.
 U.S. Appl. No. 29/600,634, filed Apr. 13, 2017, Fiskars OYJ ABP.
 U.S. Appl. No. 29/612,769, filed Aug. 3, 2017, Fiskars Finland OY AB.
 U.S. Appl. No. 29/612,771, filed Aug. 3, 2017, Fiskars Finland OY AB.
 U.S. Appl. No. 29/612,773, filed Aug. 3, 2017, Fiskars Finland OY AB.
 U.S. Appl. No. 29/612,774, filed Aug. 3, 2017, Fiskars Finland OY AB.

* cited by examiner

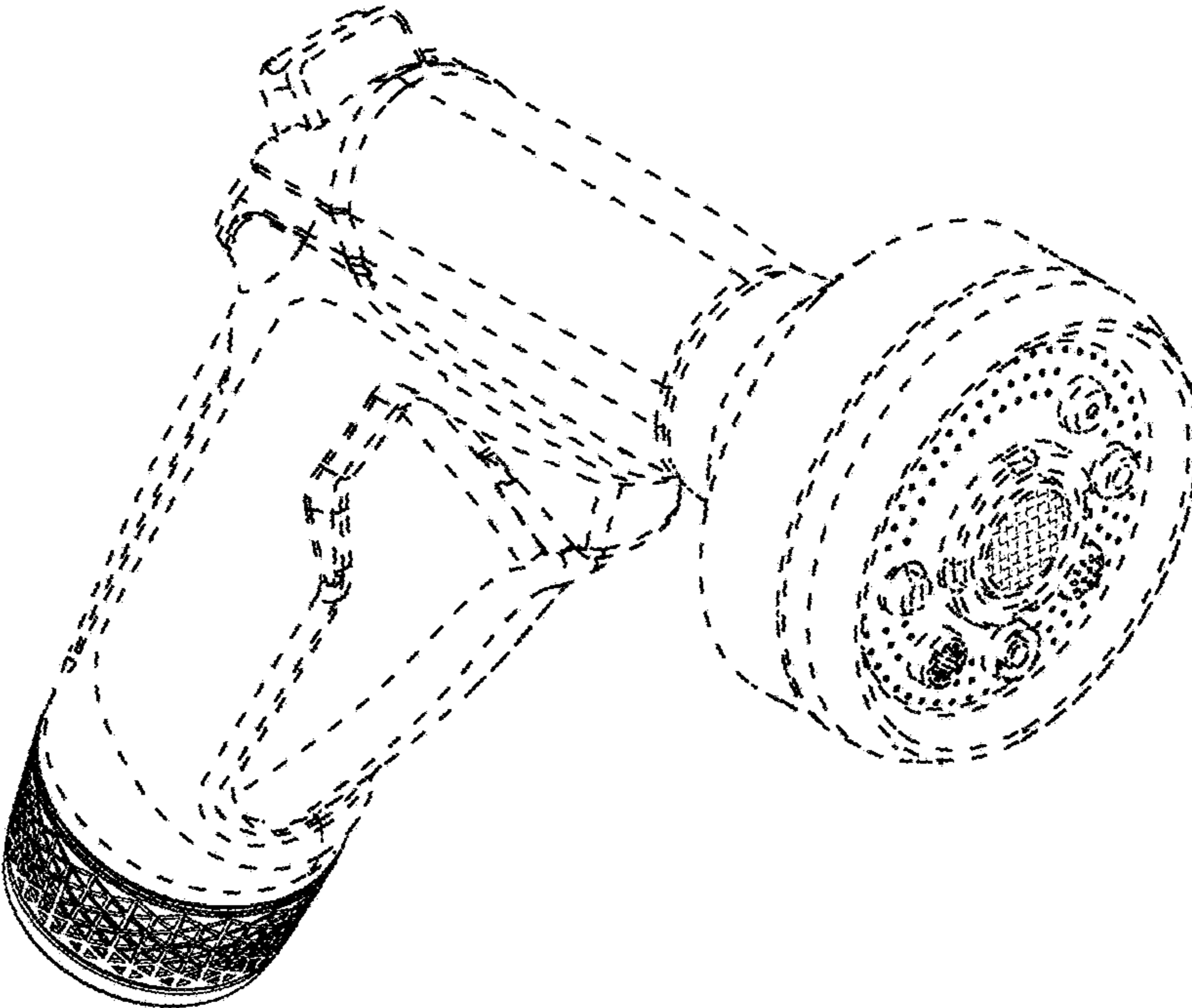


FIG. 1

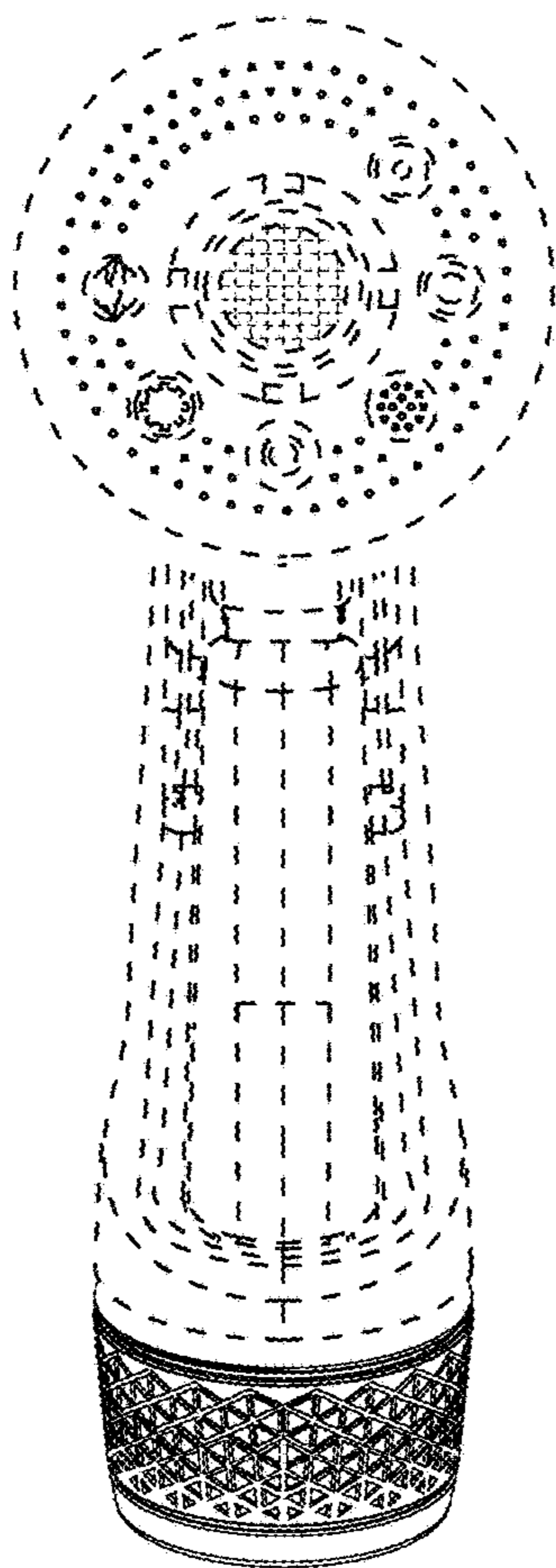


FIG. 2

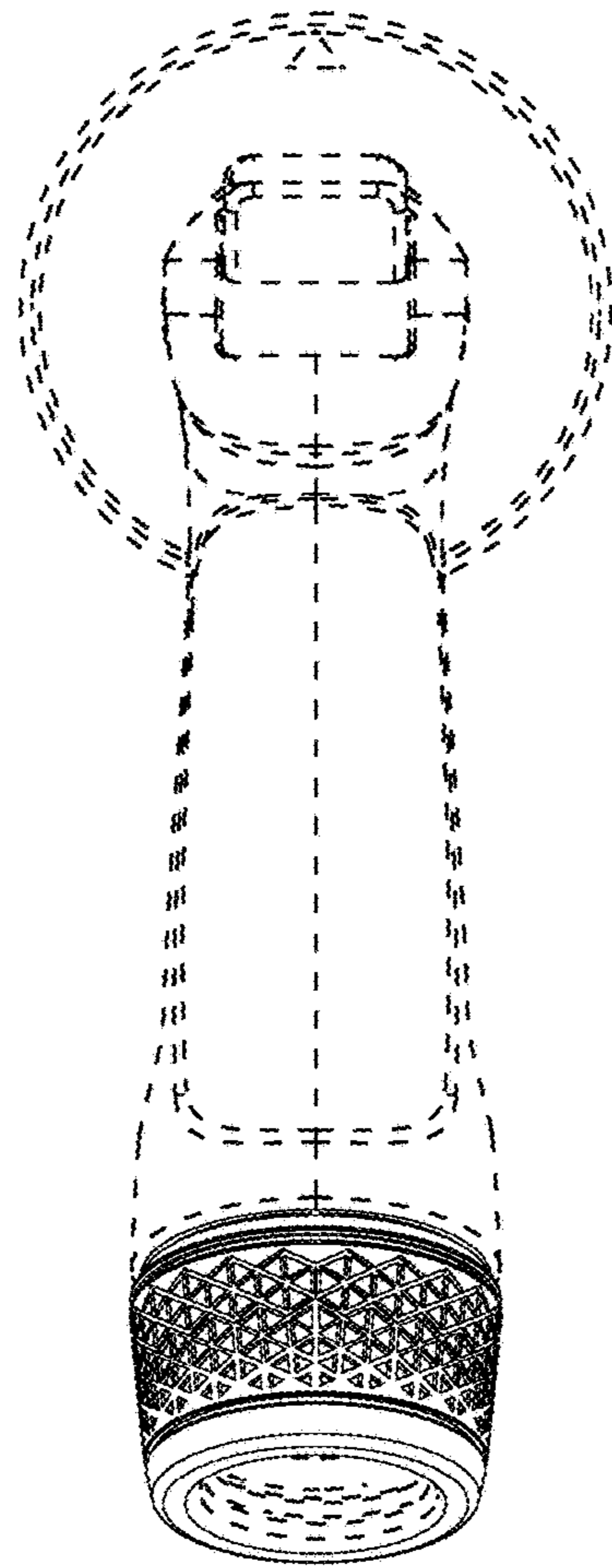


FIG. 3

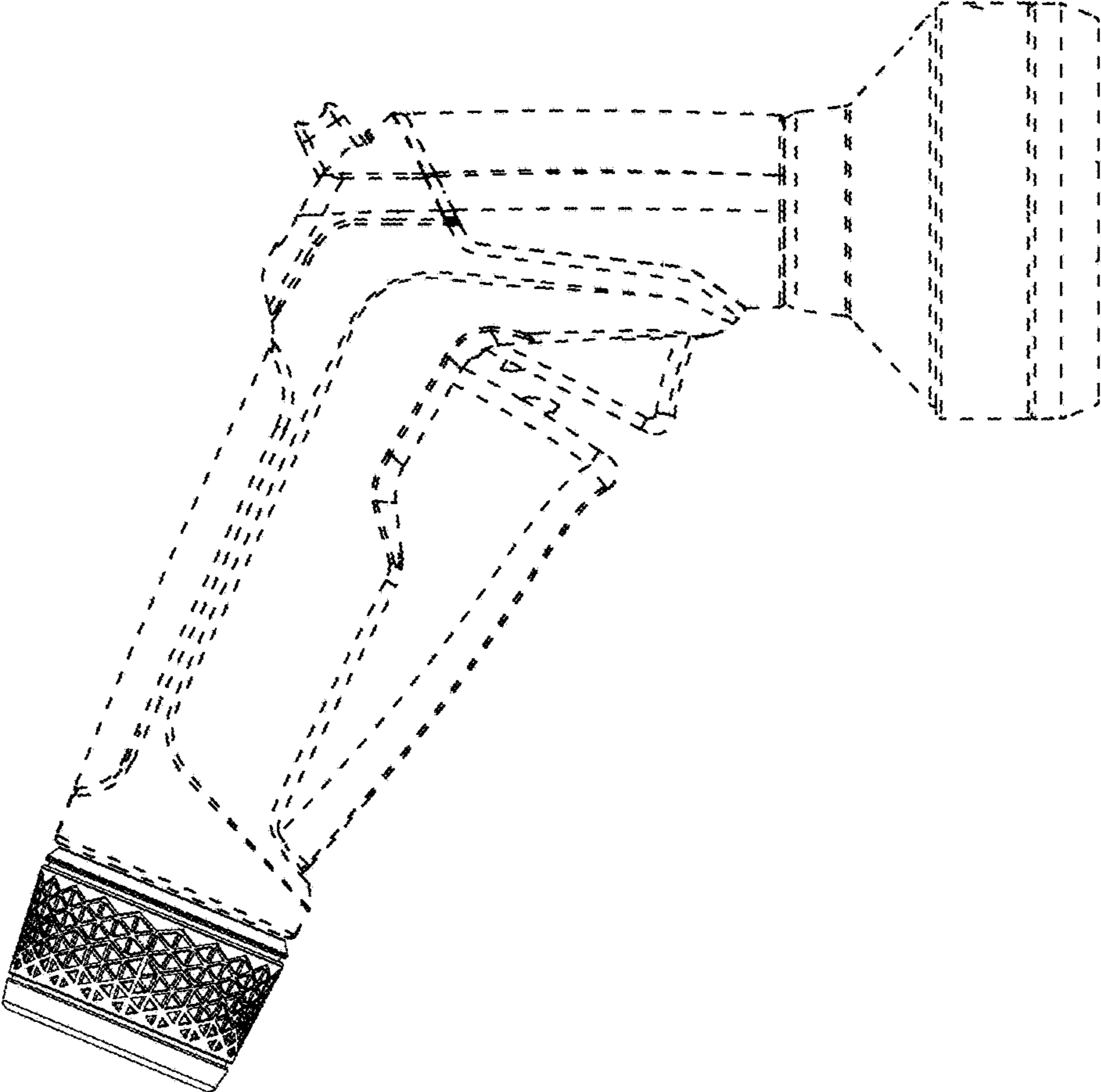


FIG. 4

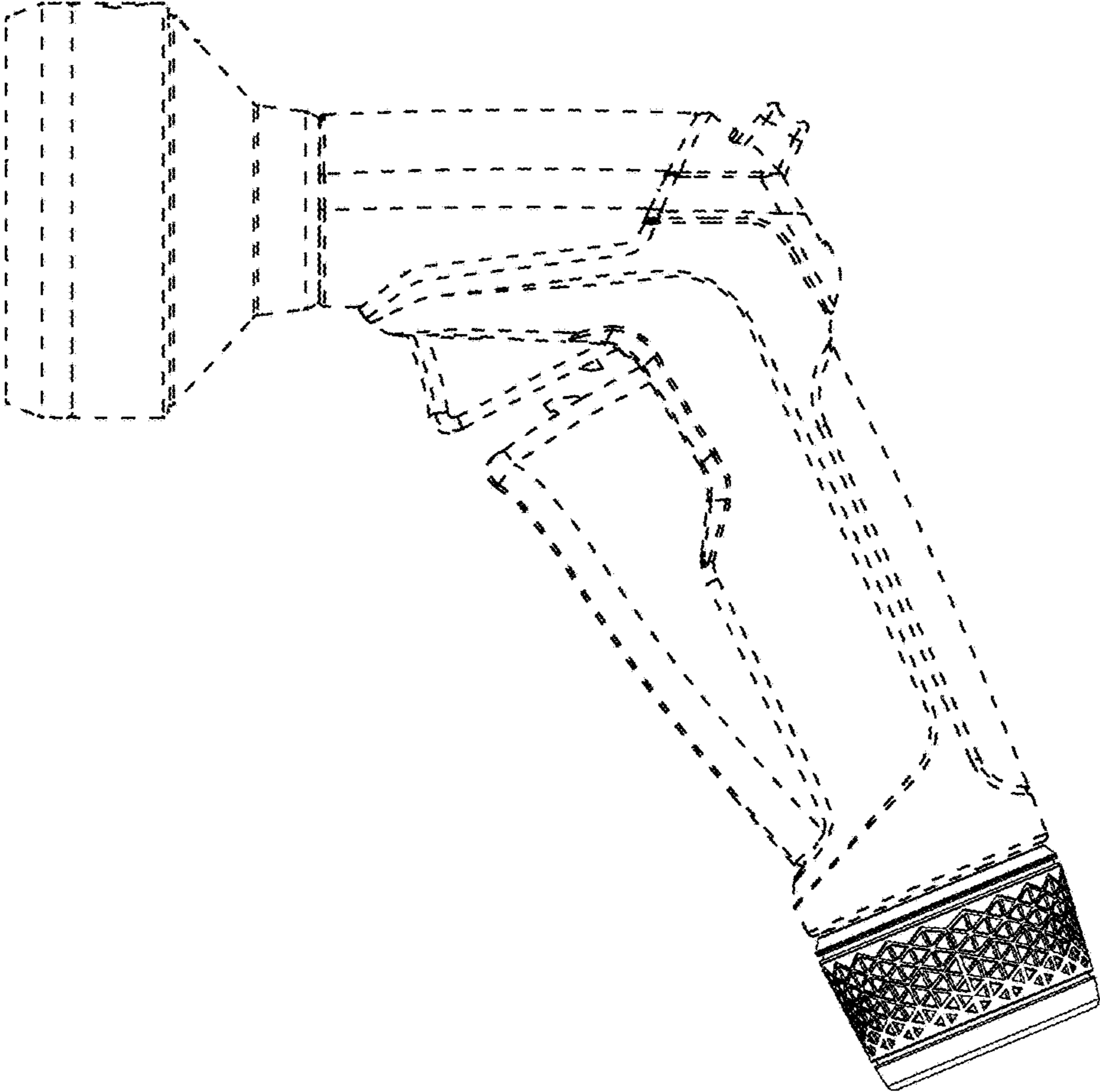


FIG. 5

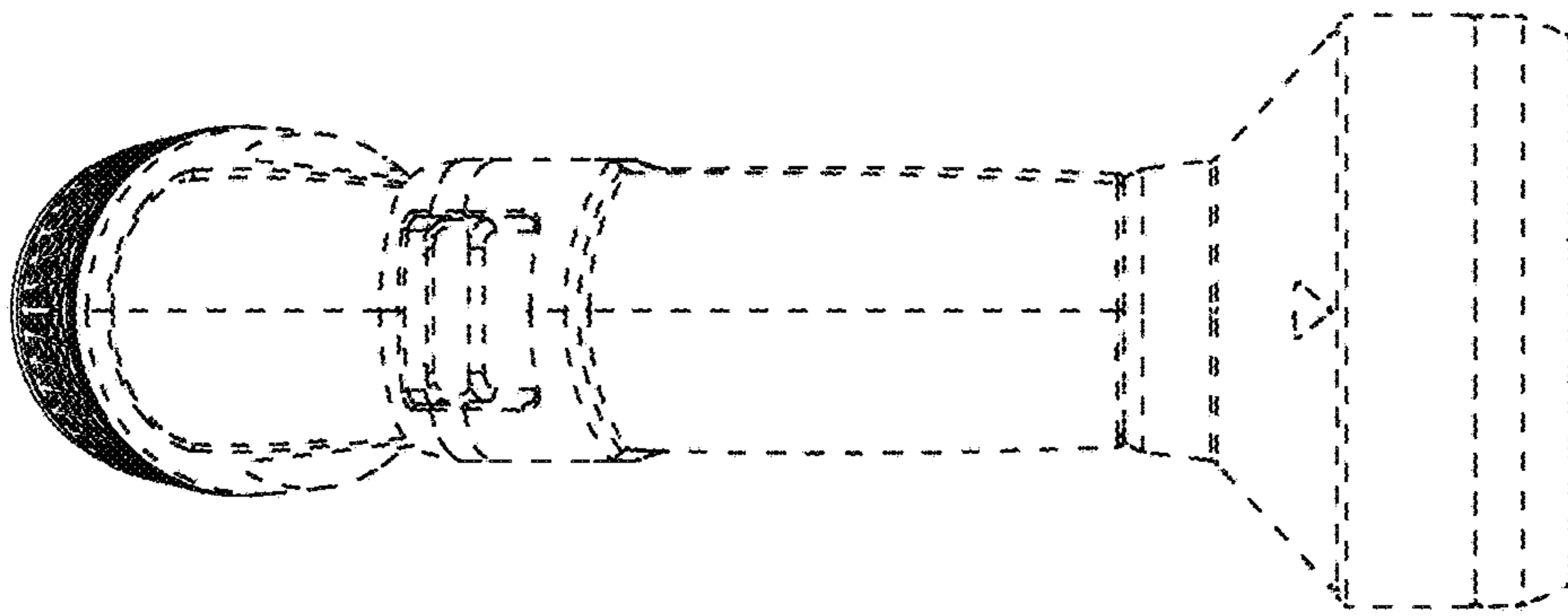


FIG. 7

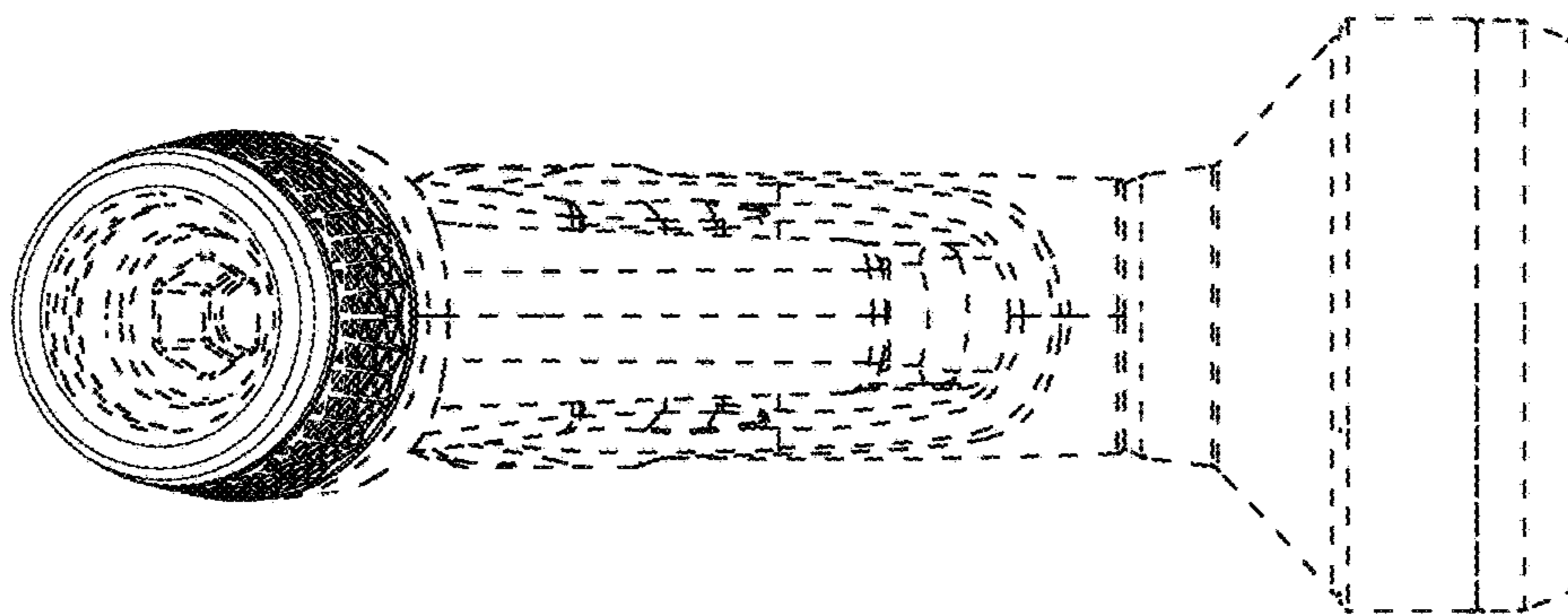


FIG. 6