



US00D842436S

(12) **United States Design Patent**  
**Schoenherr et al.**

(10) **Patent No.:** **US D842,436 S**  
(45) **Date of Patent:** **\*\* Mar. 5, 2019**

(54) **FAUCET**  
(71) Applicant: **HANSGROHE SE**, Schiltach (DE)  
(72) Inventors: **Tom Schoenherr**, Stuttgart (DE);  
**Andreas Diefenbach**,  
Ludwigsburg-Oßweil (DE); **Yunwei**  
**Zhu**, Stuttgart (DE)  
(73) Assignee: **Hansgrohe SE**, Schiltach (DE)  
(\*\*) Term: **15 Years**

D599,893 S \* 9/2009 Sieger ..... D23/255  
D615,628 S \* 5/2010 Allard ..... D23/255  
D652,899 S \* 1/2012 Citterio ..... D23/255  
D692,986 S \* 11/2013 Flowers ..... D23/238  
D696,386 S \* 12/2013 Schoenherr ..... D23/238  
D702,322 S \* 4/2014 Sieger ..... D23/238  
D714,493 S \* 9/2014 Liu ..... F26B 19/00  
D28/54.1  
D757,219 S \* 5/2016 Schoenherr ..... D23/238  
D767,098 S \* 9/2016 Citterio ..... D23/238  
D767,102 S \* 9/2016 Schoenherr ..... D23/257  
D828,510 S \* 9/2018 Zeisel ..... D23/238  
D829,305 S \* 9/2018 Wang ..... D23/255

(21) Appl. No.: **29/585,923**  
(22) Filed: **Nov. 30, 2016**  
(30) **Foreign Application Priority Data**  
May 30, 2016 (EM) ..... 003160894-0002  
(51) **LOC (11) Cl.** ..... **23-01**  
(52) **U.S. Cl.**  
USPC ..... **D23/257**  
(58) **Field of Classification Search**  
USPC ..... D23/238–243, 249–250, 252, 255, 257;  
D28/54.1  
CPC ..... E03C 1/04; E03C 1/0401; E03C 1/0402;  
E03C 1/0404; F16K 31/602; F16K  
31/605; F16K 31/607  
See application file for complete search history.

**FOREIGN PATENT DOCUMENTS**

IR DM/080078 1/2013  
IR DM/086448 5/2015  
IR DM/086910 7/2015

\* cited by examiner

*Primary Examiner* — Robert A Delehanty  
(74) *Attorney, Agent, or Firm* — Lora J. Graentzdoerffer

(56) **References Cited**  
**U.S. PATENT DOCUMENTS**  
D318,518 S \* 7/1991 Schmidt ..... D23/238  
D481,445 S \* 10/2003 Haug ..... D23/238  
D527,076 S \* 8/2006 Kolin ..... D23/241  
D540,911 S \* 4/2007 Citterio ..... D23/238  
D567,908 S \* 4/2008 Semchuck ..... D23/238

(57) **CLAIM**  
The ornamental design for a faucet, as shown and described.

**DESCRIPTION**

FIG. 1 is a perspective view of a faucet showing our design;  
FIG. 2 is a front elevation view;  
FIG. 3 is a rear elevation view;  
FIG. 4 is a right side elevation view;  
FIG. 5 is a left side elevation view;  
FIG. 6 is a top plan view; and,  
FIG. 7 is a bottom plan view.  
The broken-line disclosure in the view represents a portion  
of the faucet in which the claimed design is embodied, but  
which forms no part of the claimed design.

**1 Claim, 7 Drawing Sheets**

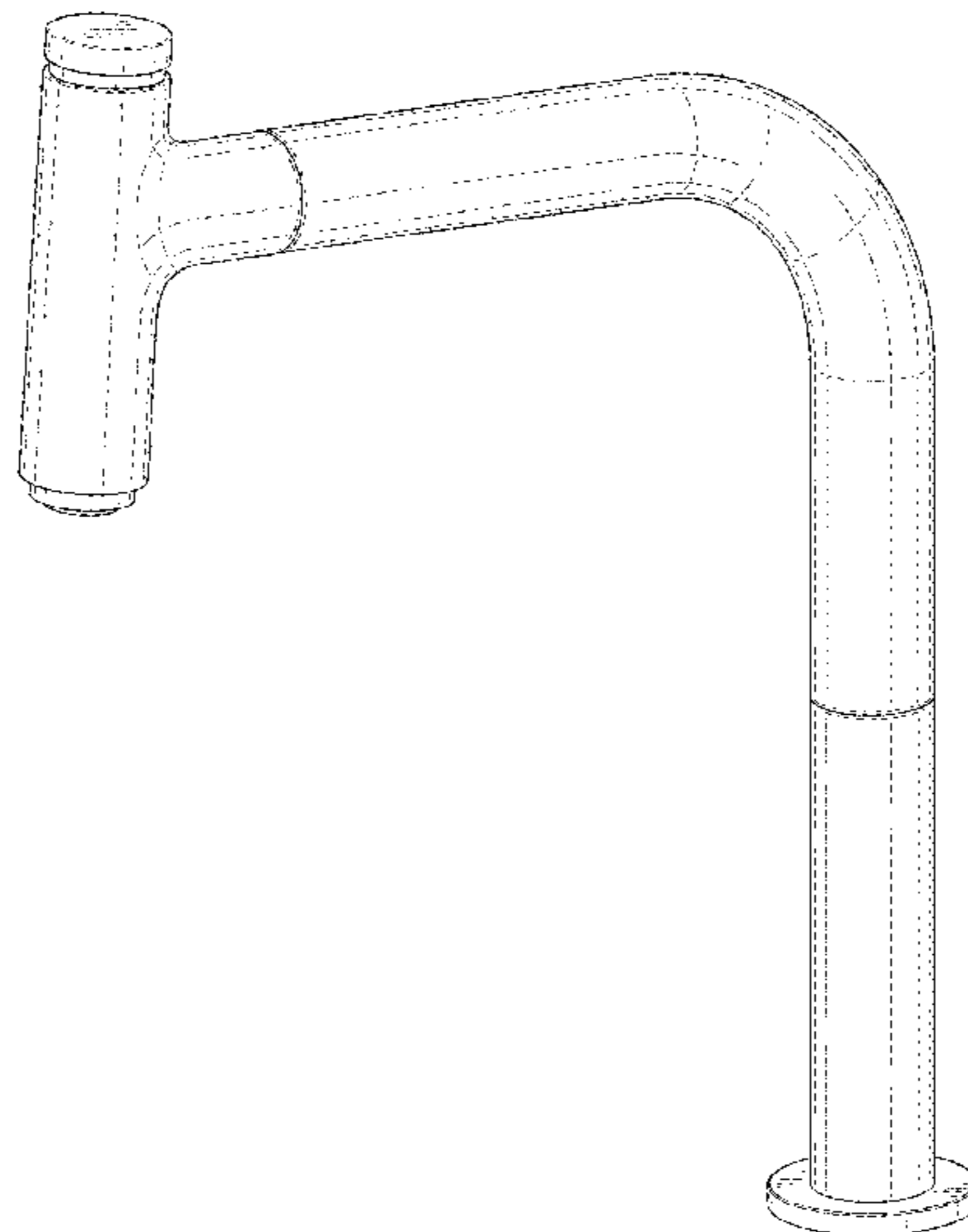


FIG. 1

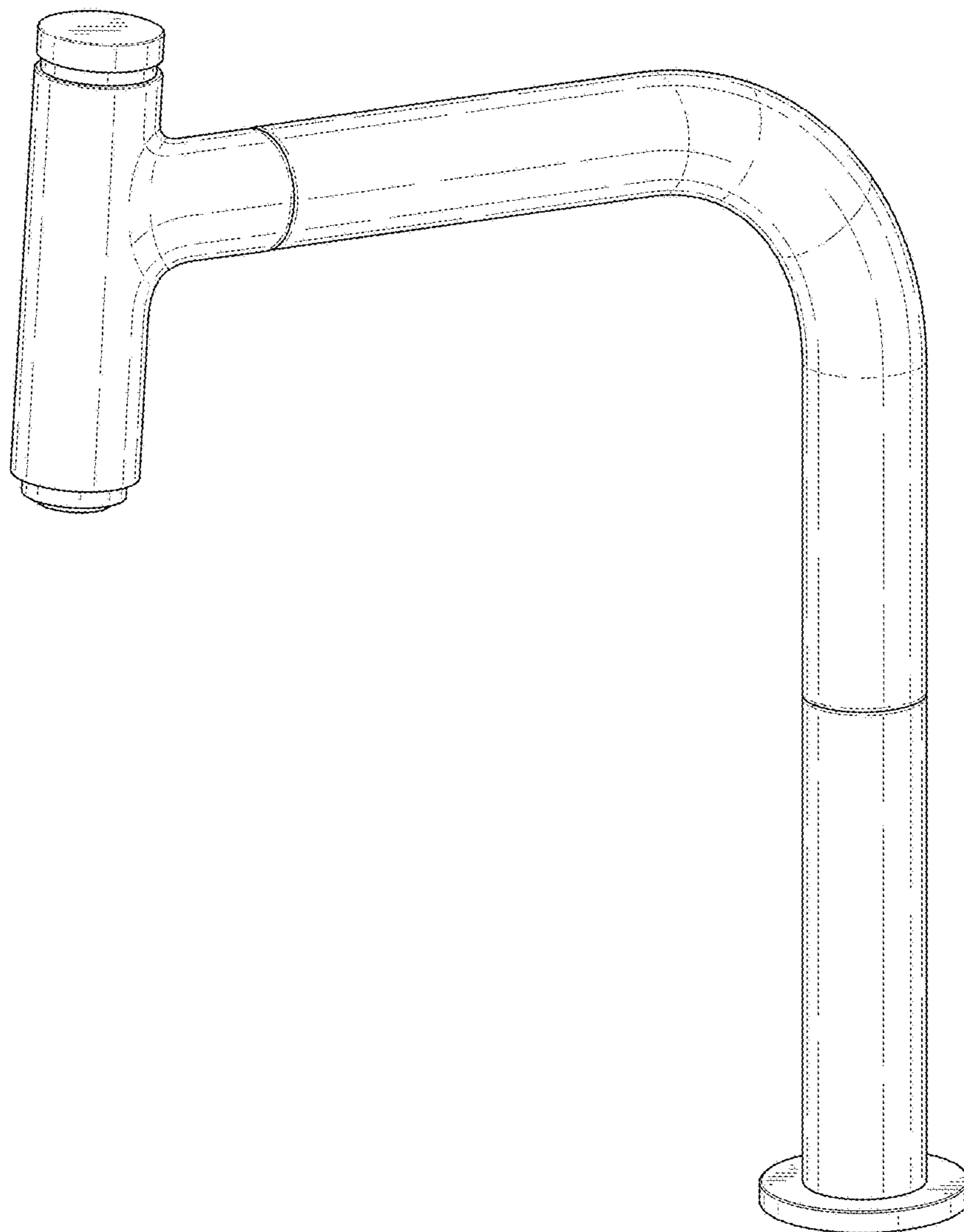


FIG. 2

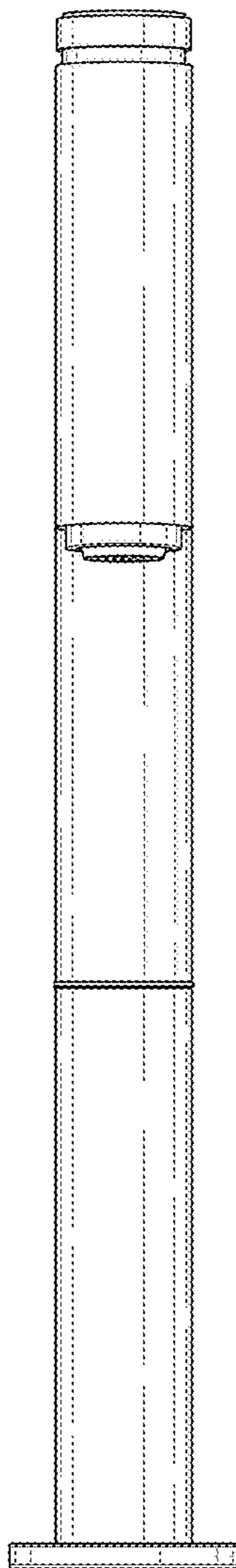


FIG. 3

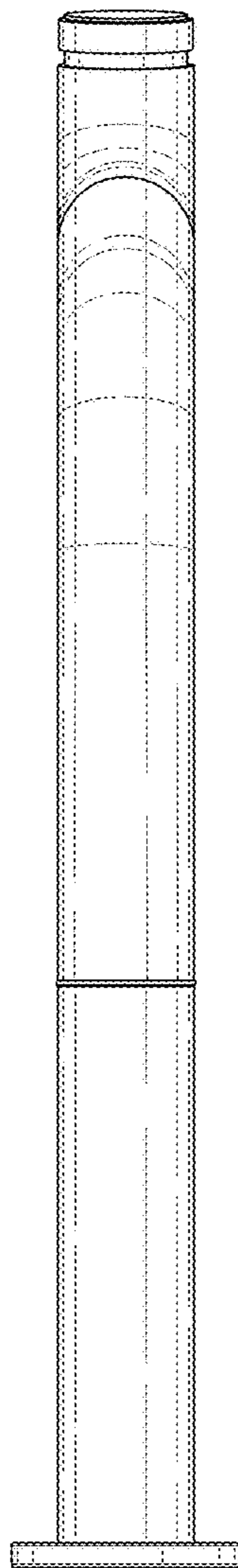


FIG. 4

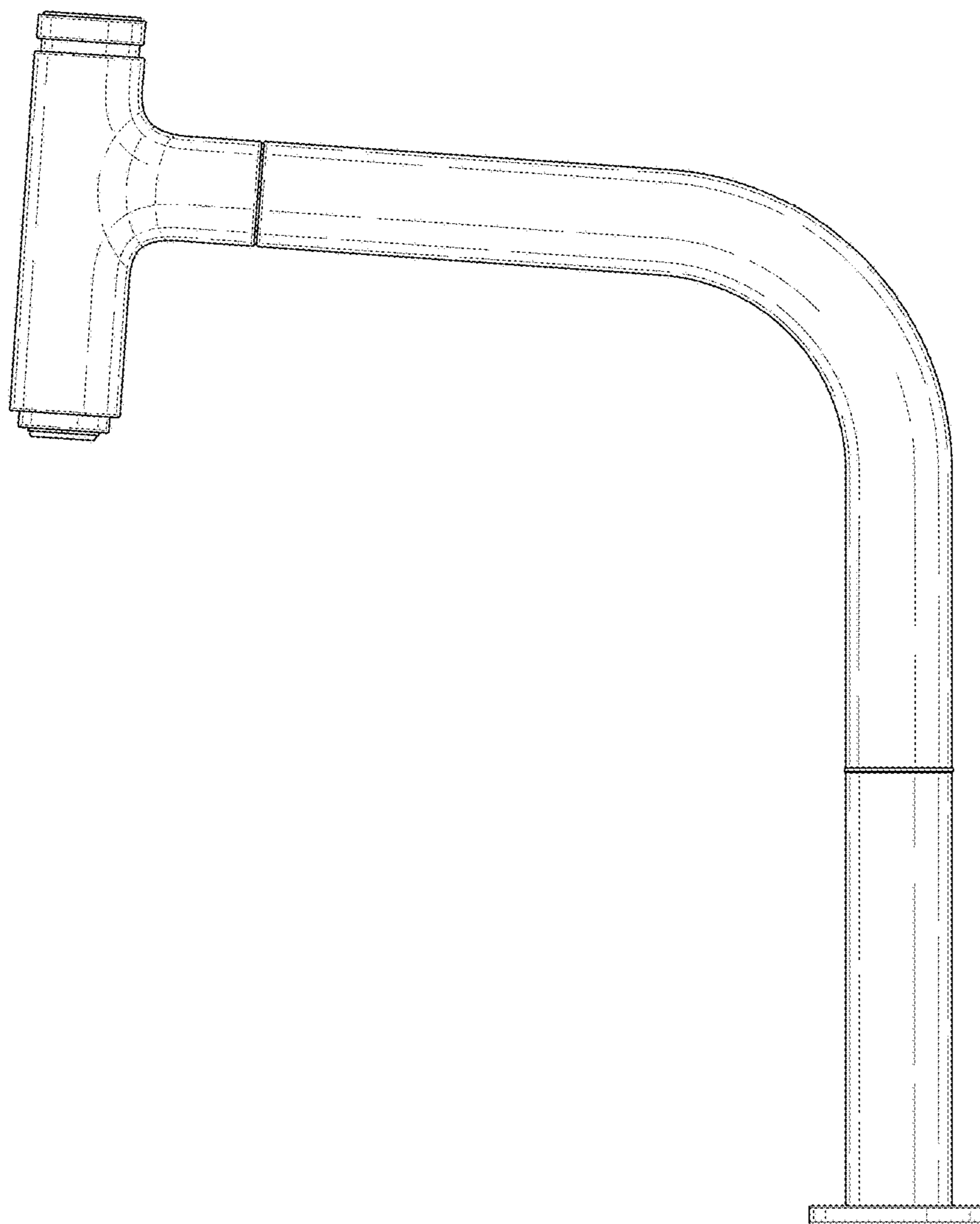


FIG. 5

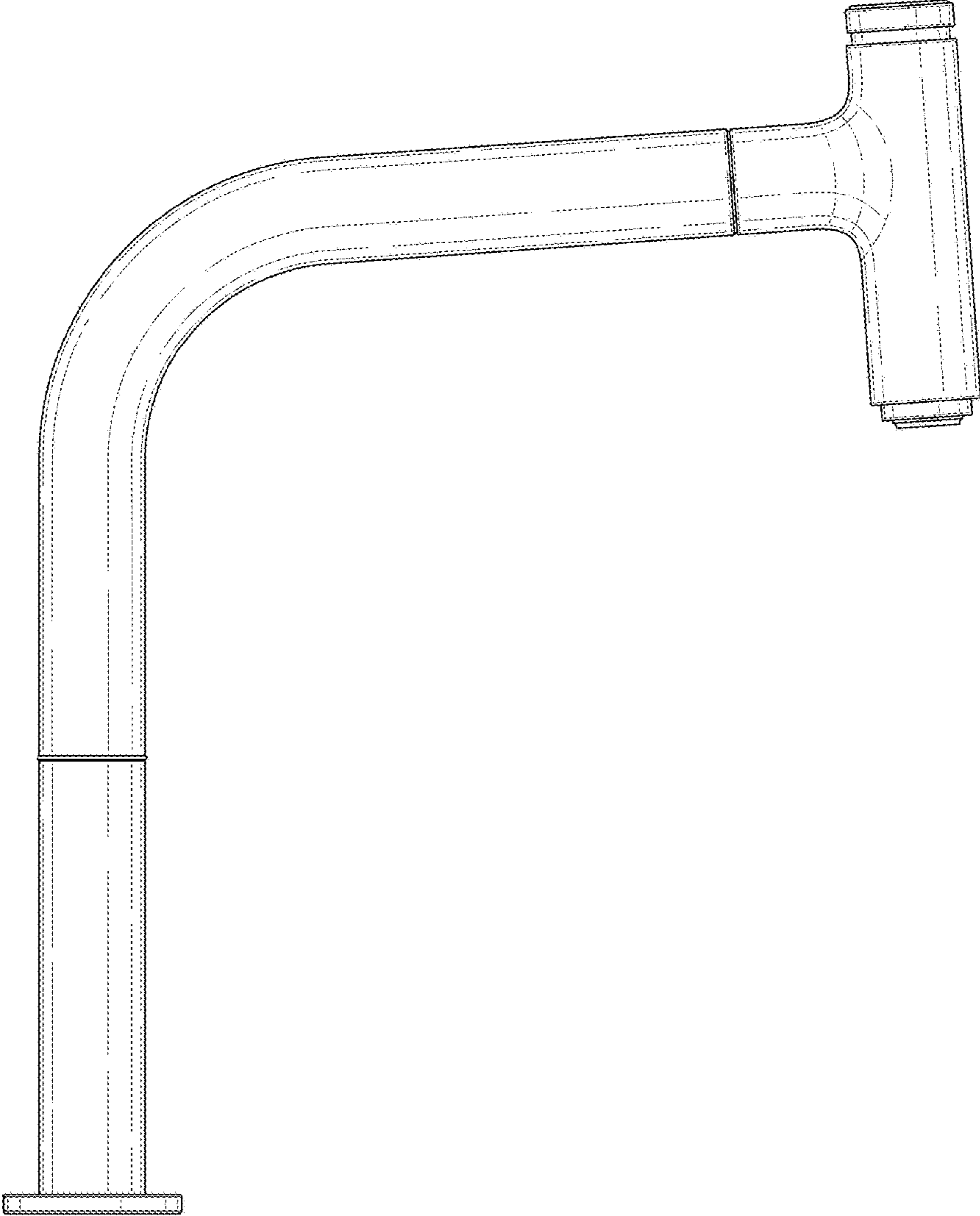


FIG. 6

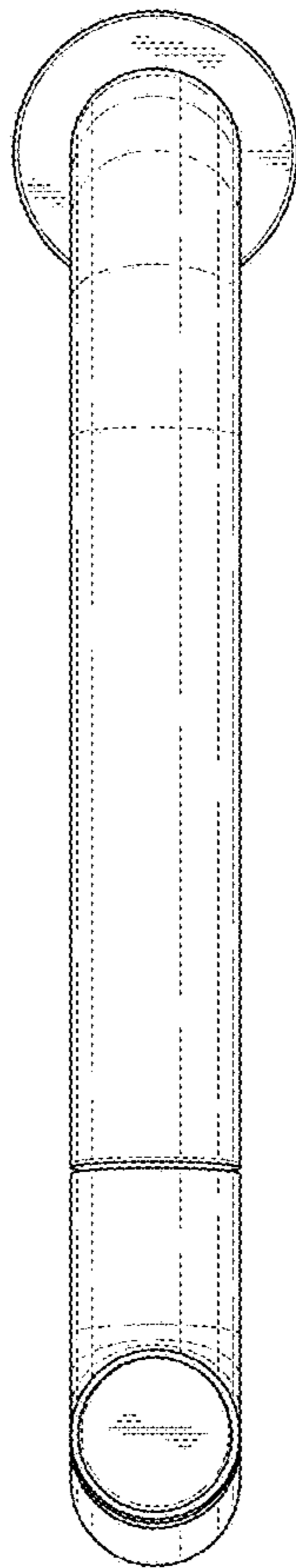


FIG. 7

