



US00D842434S

(12) **United States Design Patent**
Jiang

(10) **Patent No.:** **US D842,434 S**

(45) **Date of Patent:** **** Mar. 5, 2019**

(54) **FAUCET**

(71) Applicant: **Lijie Jiang**, Wenzhou (CN)

(72) Inventor: **Lijie Jiang**, Wenzhou (CN)

(**) Term: **15 Years**

(21) Appl. No.: **29/635,124**

(22) Filed: **Jan. 29, 2018**

(51) **LOC (11) Cl.** **23-01**

(52) **U.S. Cl.**
USPC **D23/238**

(58) **Field of Classification Search**
USPC D23/238–243, 249, 250, 252, 254–255,
D23/257; D8/307–308
CPC Y10T 137/9464
See application file for complete search history.

(56) **References Cited**

U.S. PATENT DOCUMENTS

D606,170 S * 12/2009 Lammel D23/252

D680,622 S * 4/2013 Berger D23/238
D723,138 S * 2/2015 Ke D23/238
D790,667 S * 6/2017 Schaubach D23/252

* cited by examiner

Primary Examiner — Robert A Delehanty

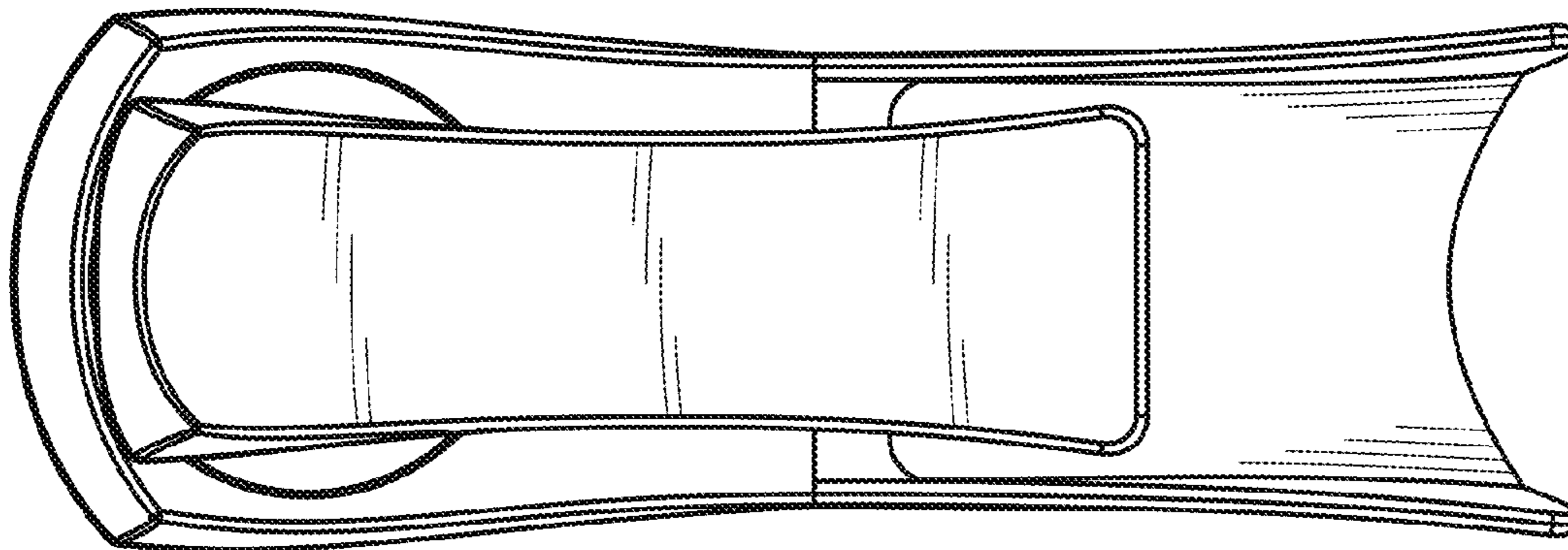
(57) **CLAIM**

The ornamental design for a faucet, as shown and described.

DESCRIPTION

FIG. 1 is a front elevational view of a faucet showing my new design;
FIG. 2 is a rear elevational view thereof;
FIG. 3 is a left side elevational view thereof;
FIG. 4 is a right side elevational view thereof;
FIG. 5 is a top plan view thereof;
FIG. 6 is a bottom plan view thereof; and,
FIG. 7 is a perspective view thereof.

1 Claim, 6 Drawing Sheets



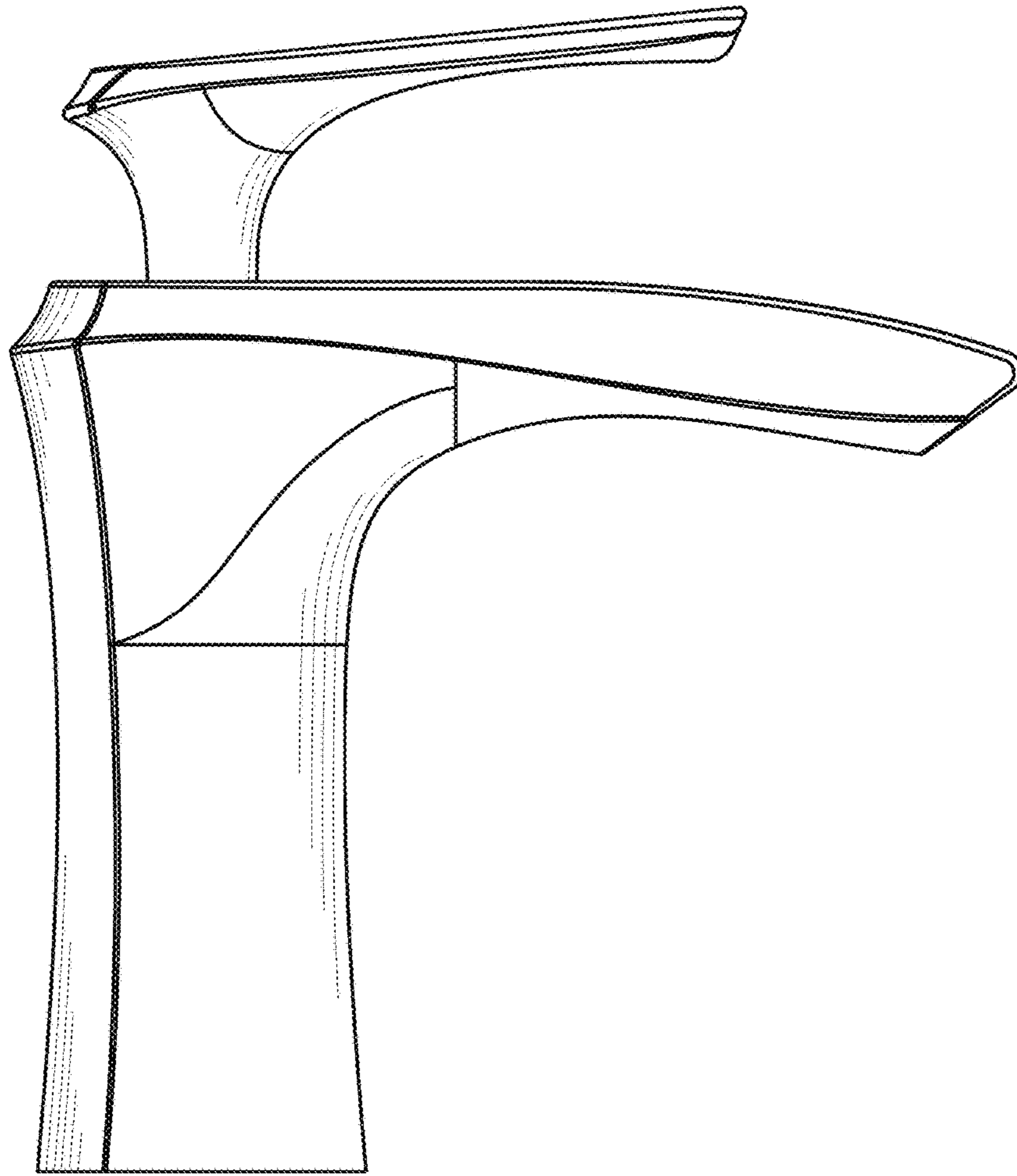


FIG. 1

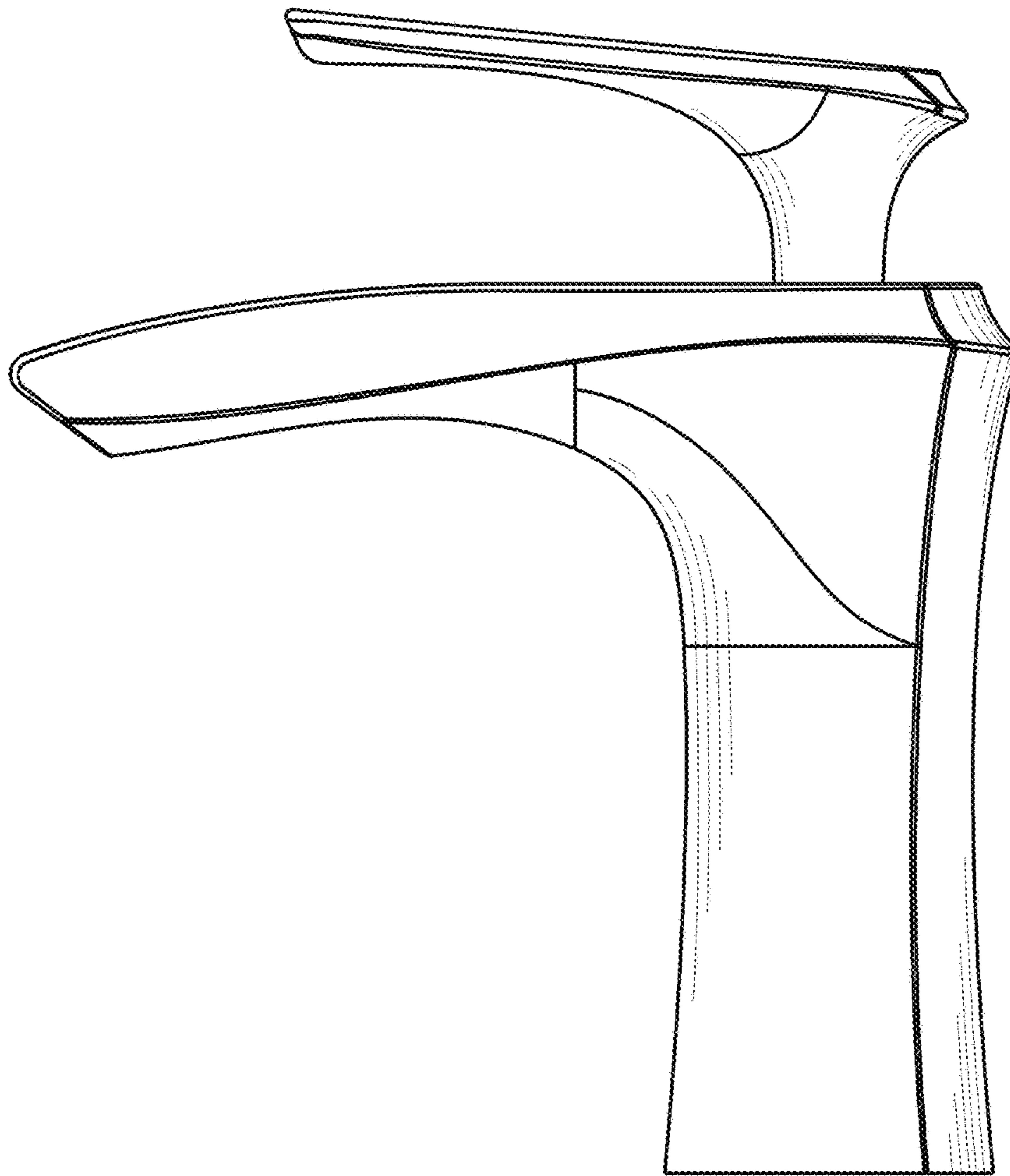


FIG.2

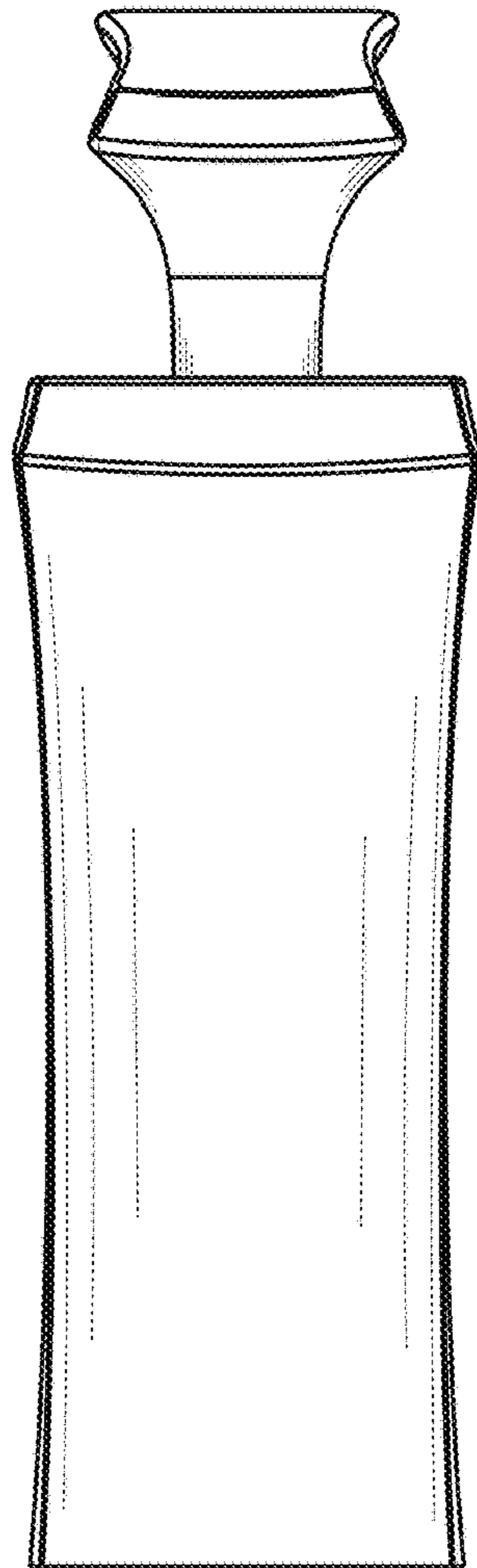


FIG.3

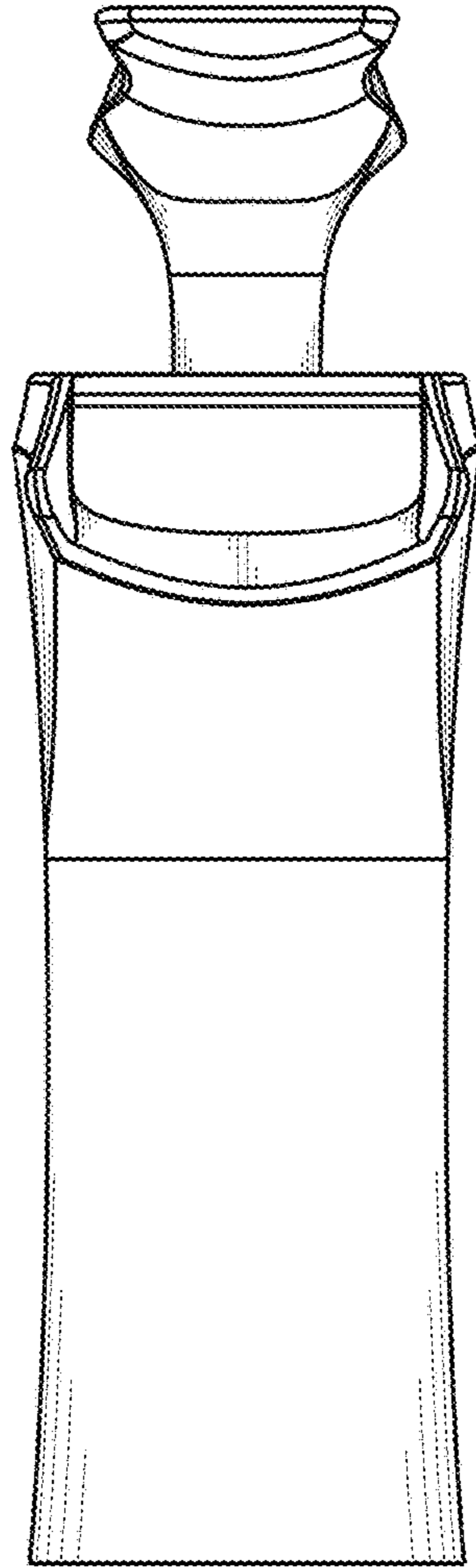


FIG. 4

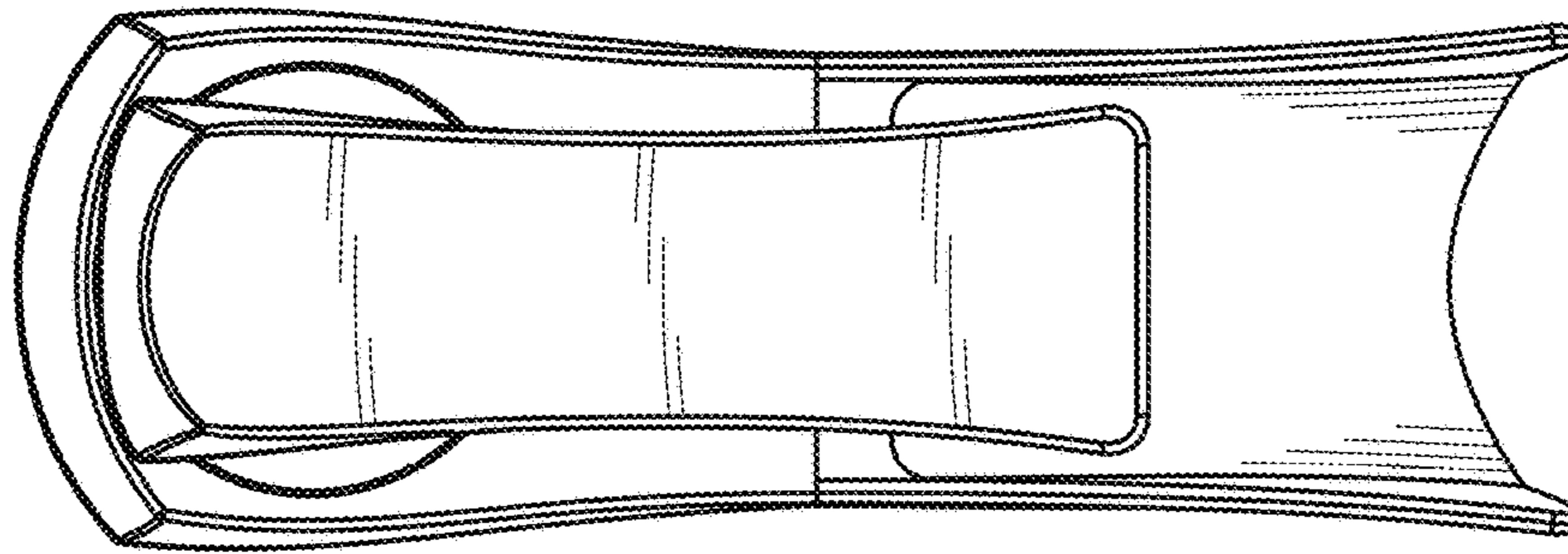


FIG. 5

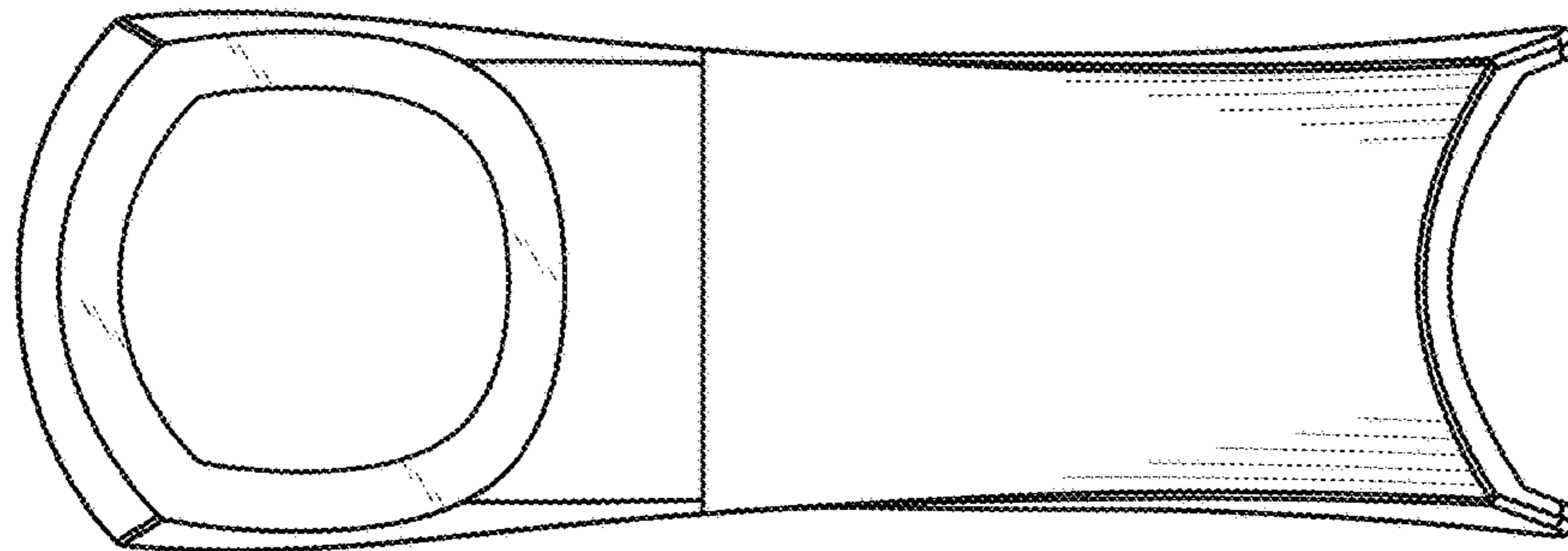


FIG. 6

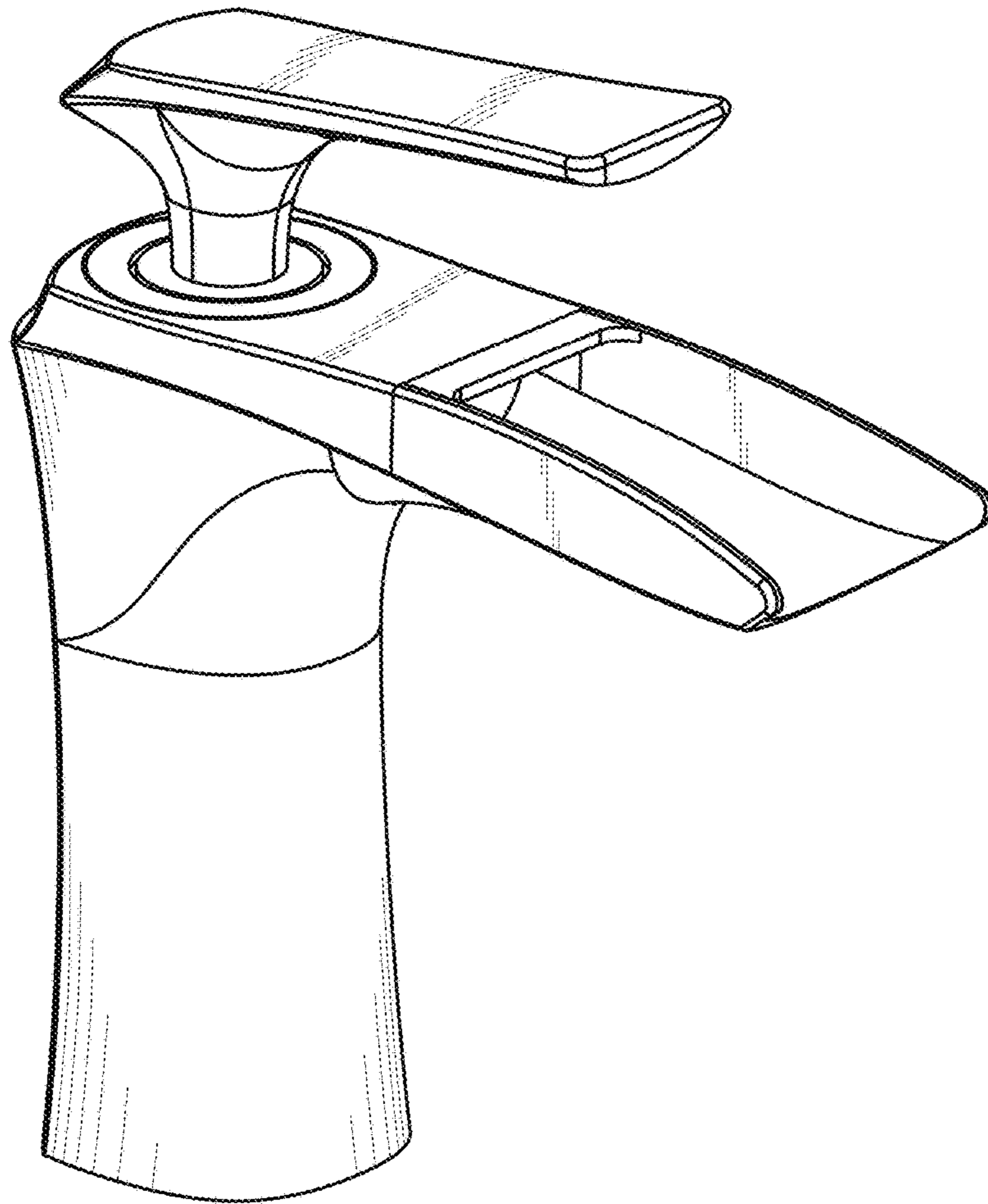


FIG.7