



US00D842433S

(12) **United States Design Patent**
Ito et al.

(10) **Patent No.:** **US D842,433 S**
(45) **Date of Patent:** **** Mar. 5, 2019**

(54) **REGULATOR**

D662,197 S * 6/2012 Ito D23/365
9,133,942 B2 * 9/2015 Ito F16K 1/46
D820,955 S * 6/2018 Ito D23/235
D820,956 S * 6/2018 Ito D23/235

(71) Applicant: **SMC CORPORATION**, Tokyo (JP)

(72) Inventors: **Shinichi Ito**, Toride (JP); **Michihiro Hanada**, Tsukubamirai (JP)

(73) Assignee: **SMC CORPORATION**, Tokyo (JP)

(**) Term: **15 Years**

(21) Appl. No.: **29/619,127**

(22) Filed: **Sep. 27, 2017**

(30) **Foreign Application Priority Data**

Mar. 28, 2017 (JP) 2017-006322

(51) **LOC (11) Cl.** **23-01**

(52) **U.S. Cl.**
USPC **D23/235**

(58) **Field of Classification Search**
USPC D23/233–237, 241–250, 365; 251/148,
251/364, 45, 90, 93; 137/231, 371;
D15/5

CPC F16K 11/0716; F16K 1/126
See application file for complete search history.

(56) **References Cited**

U.S. PATENT DOCUMENTS

D592,680 S * 5/2009 Ogawa D15/5
D595,739 S * 7/2009 Ogawa D15/5
D596,200 S * 7/2009 Ogawa D15/5
D596,201 S * 7/2009 Ogawa D15/5
D632,362 S * 2/2011 Ito D23/233
D633,986 S * 3/2011 Ito D23/233
D662,196 S * 6/2012 Ito D23/365

FOREIGN PATENT DOCUMENTS

JP D1340099 S 9/2008
JP D1340379 S 9/2008
JP D1430996 S 1/2012
JP D1430997 S 1/2012
JP D1430998 S 1/2012

* cited by examiner

Primary Examiner — Cynthia Ramirez

Assistant Examiner — Gino Colan

(74) *Attorney, Agent, or Firm* — Birch, Stewart, Kolasch & Birch, LLP

(57) **CLAIM**

The ornamental design for a regulator, as shown and described.

DESCRIPTION

FIG. 1 is a front, top and left side perspective view of a regulator showing our new design;

FIG. 2 is a rear, bottom and right side perspective view thereof;

FIG. 3 is a front view thereof;

FIG. 4 is a rear view thereof;

FIG. 5 is a top plan view thereof;

FIG. 6 is a bottom plan view thereof;

FIG. 7 is a left side view thereof; and,

FIG. 8 is a right side view thereof.

The dash-dotted lines represent the bounds of the claimed design that form no part of the claimed design.

1 Claim, 8 Drawing Sheets

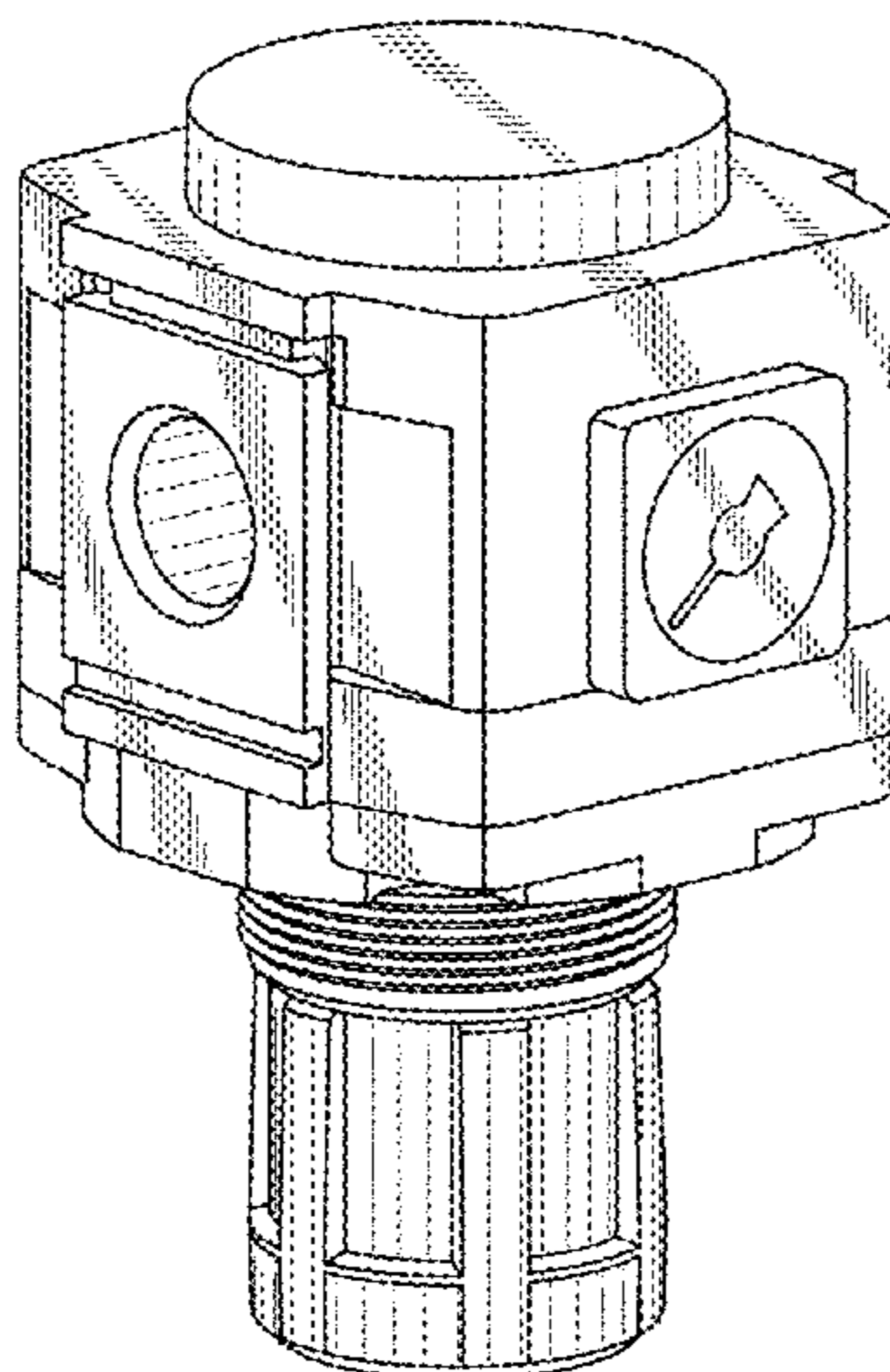


FIG. 1

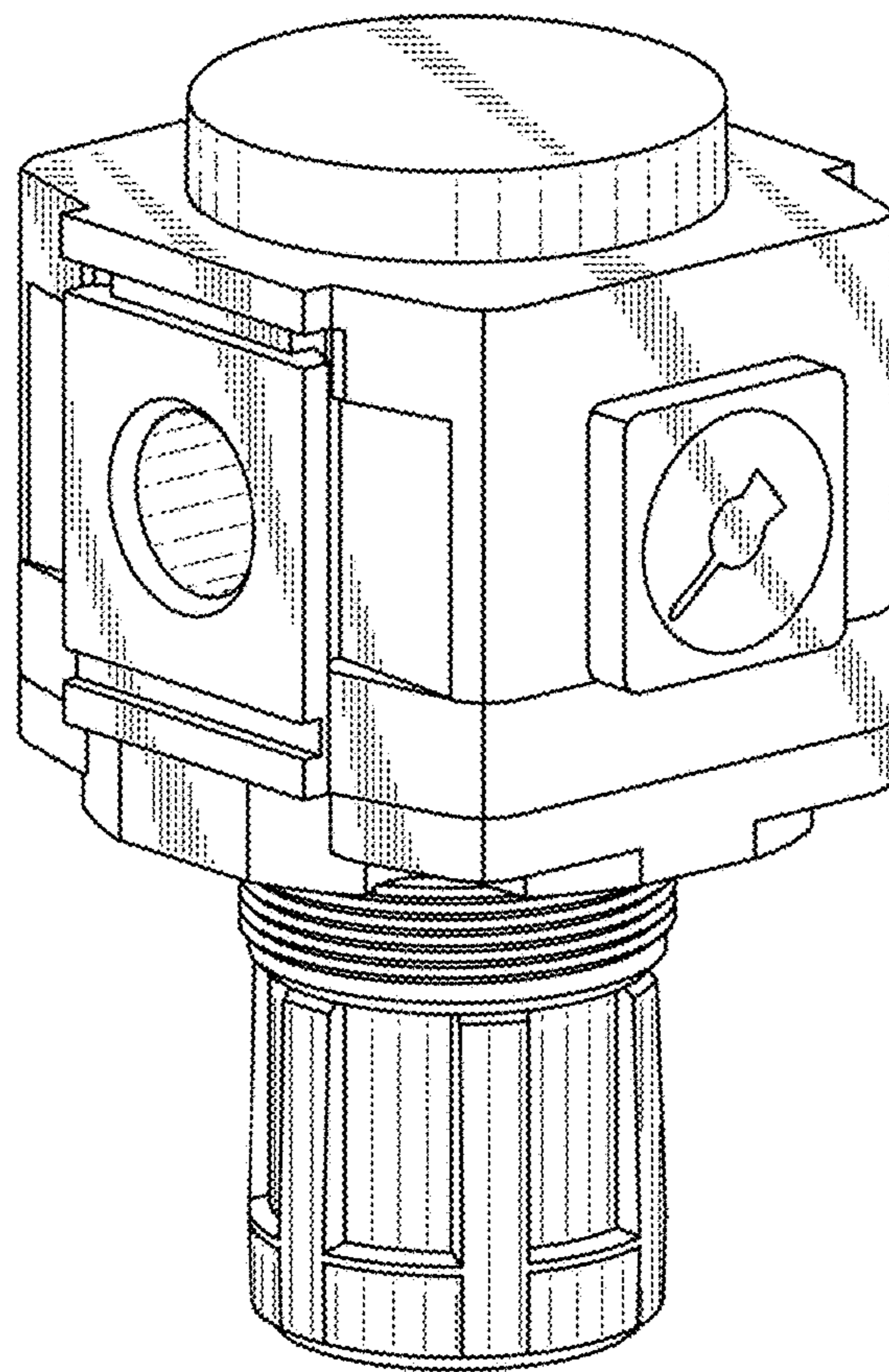


FIG. 2

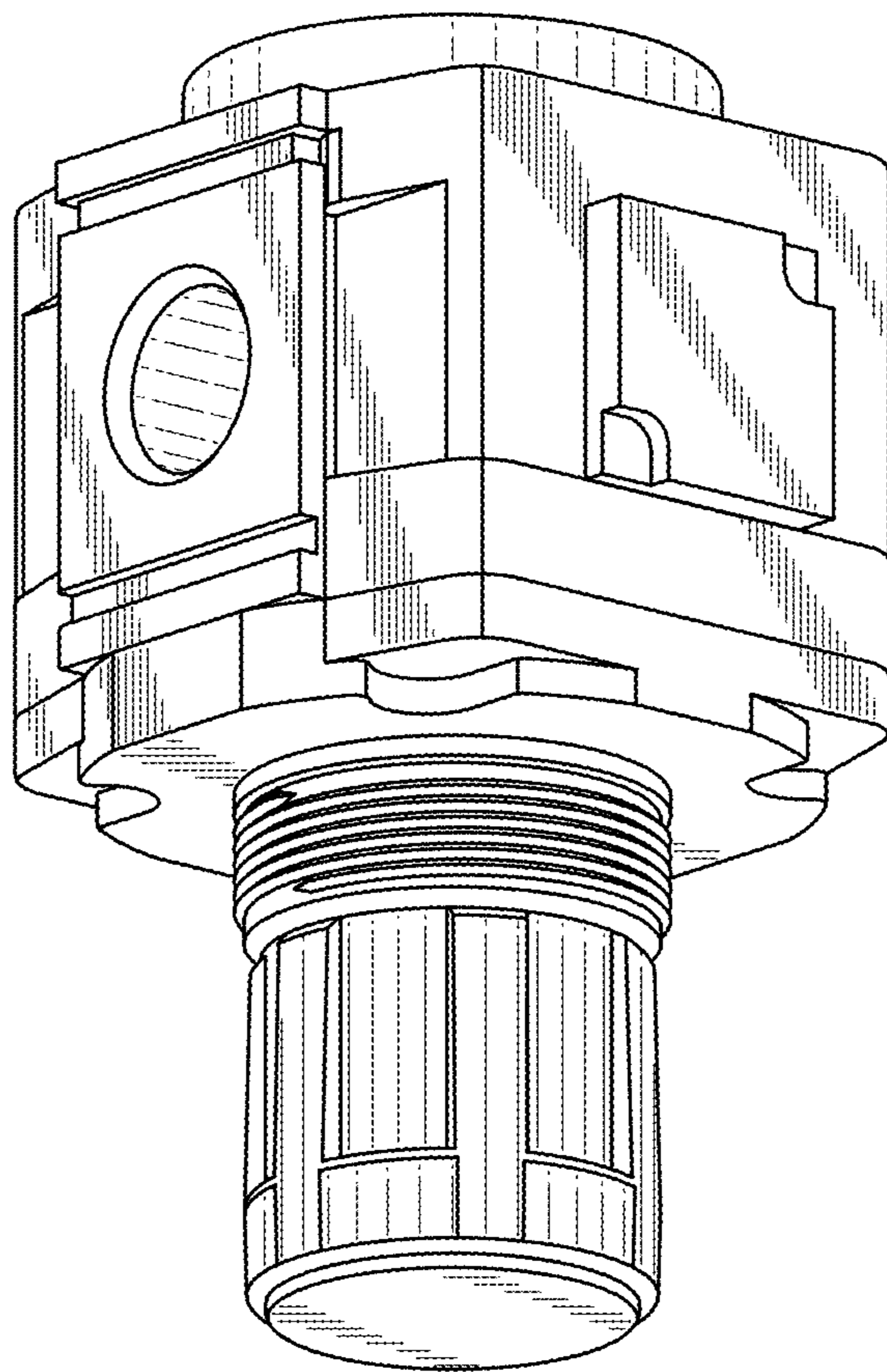


FIG. 3

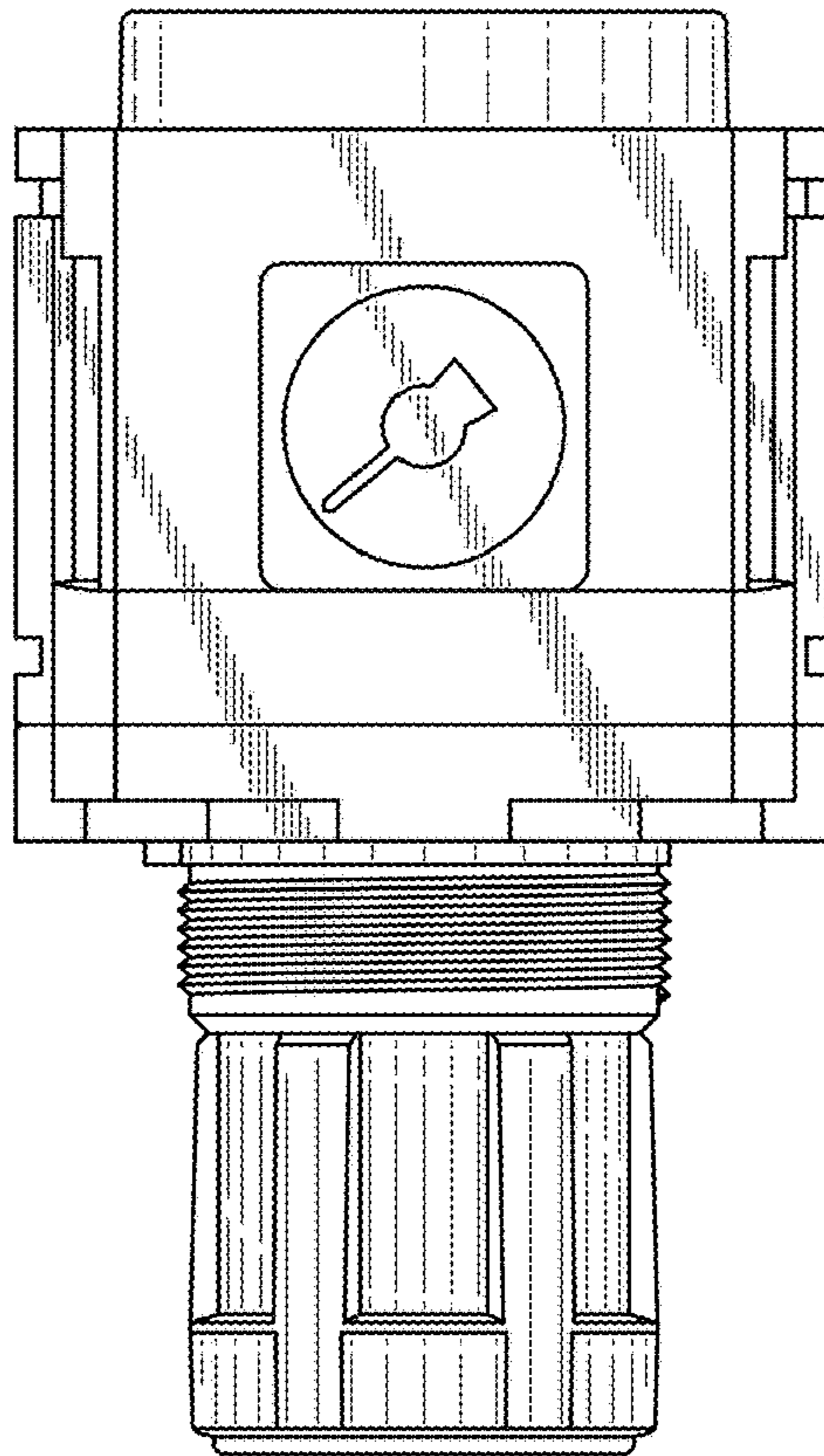


FIG. 4

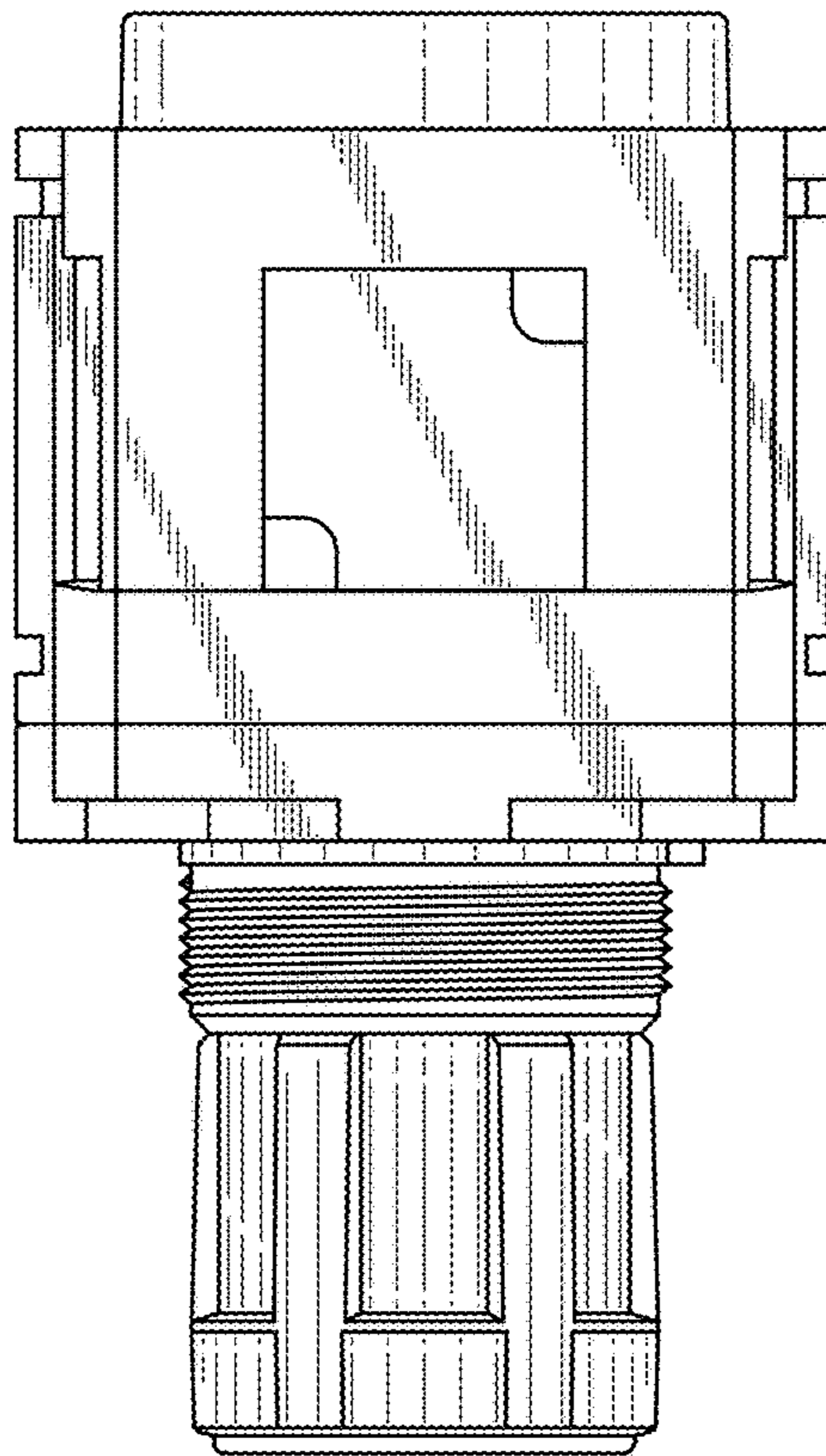


FIG. 5

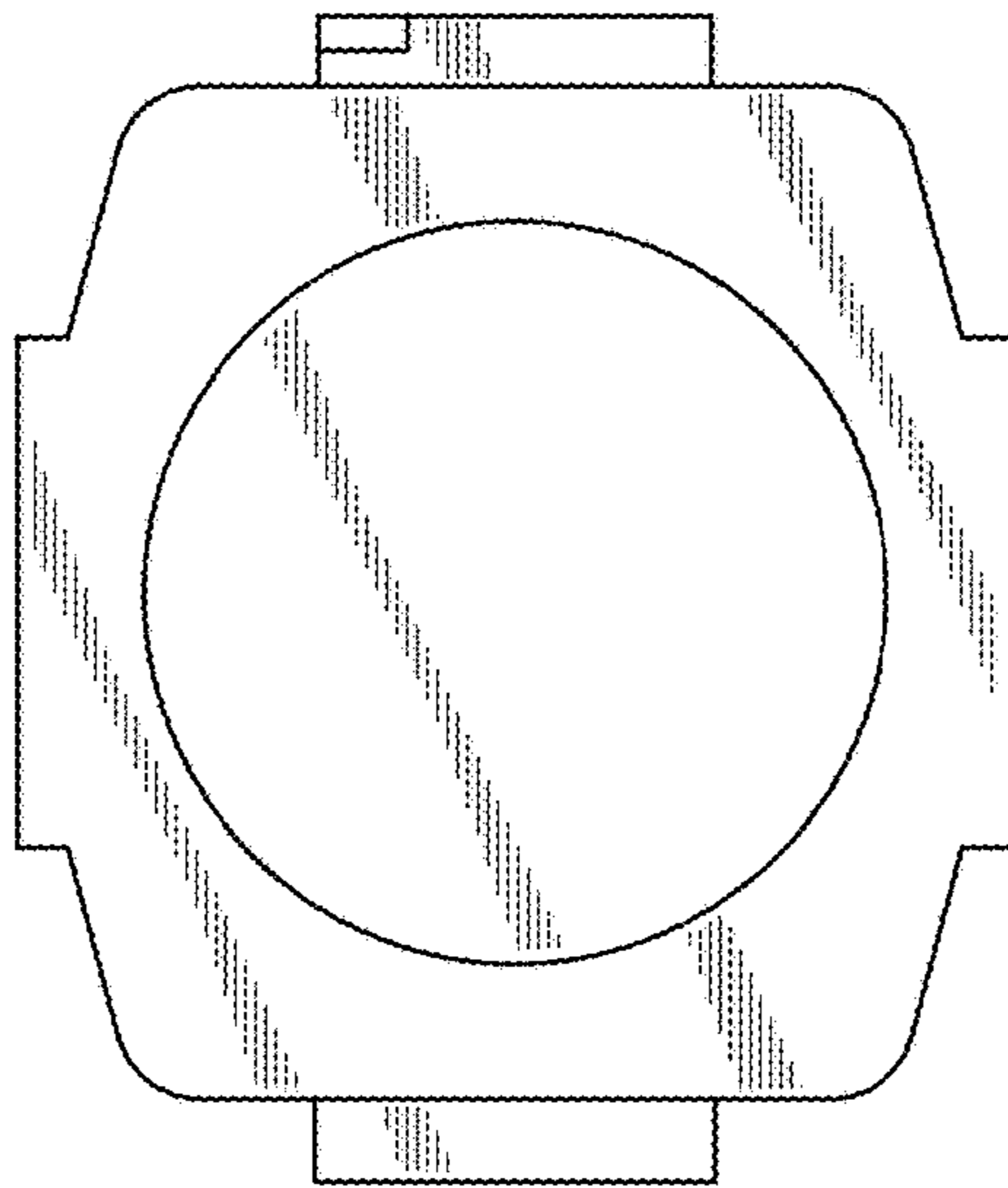


FIG. 6

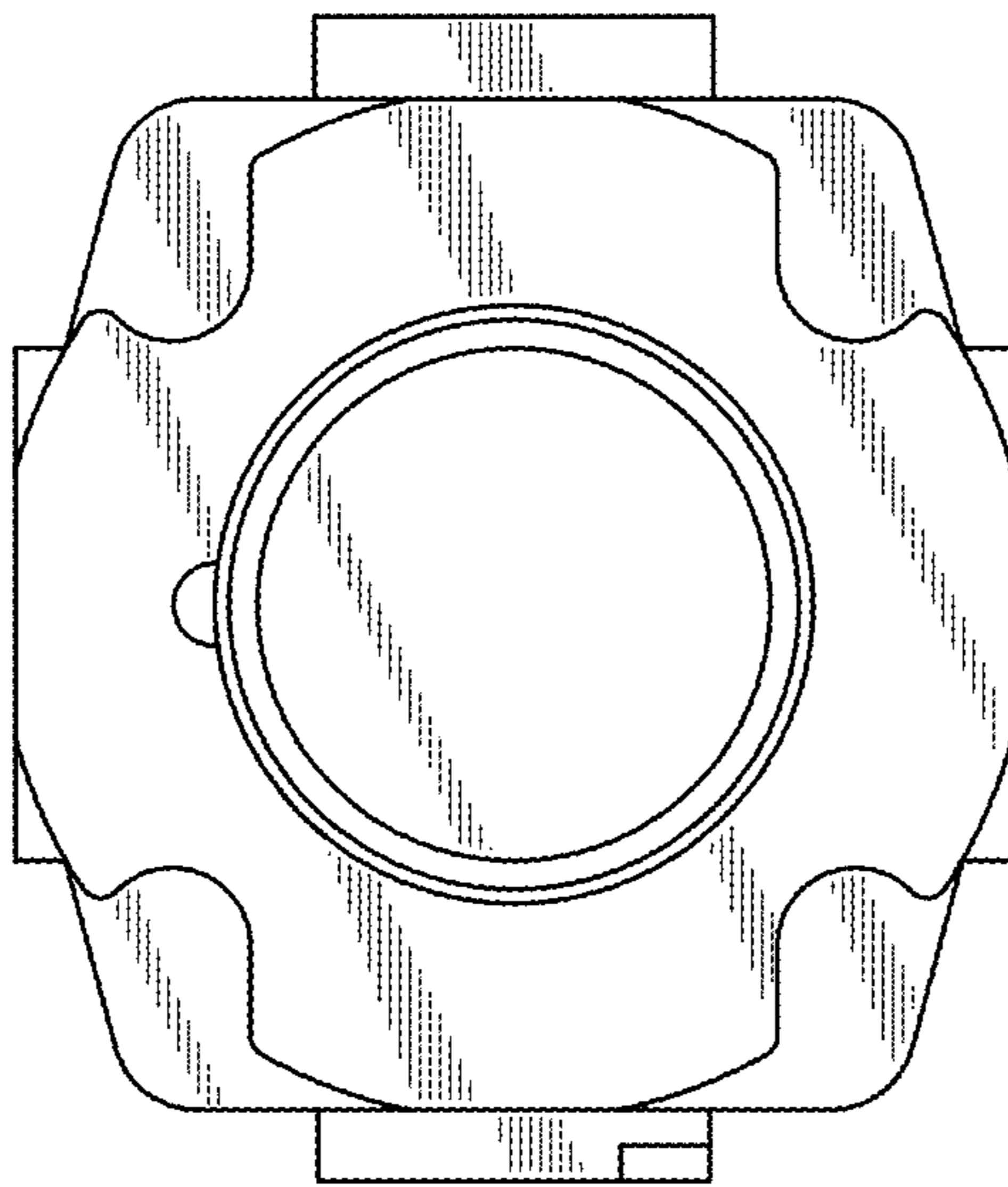


FIG. 7

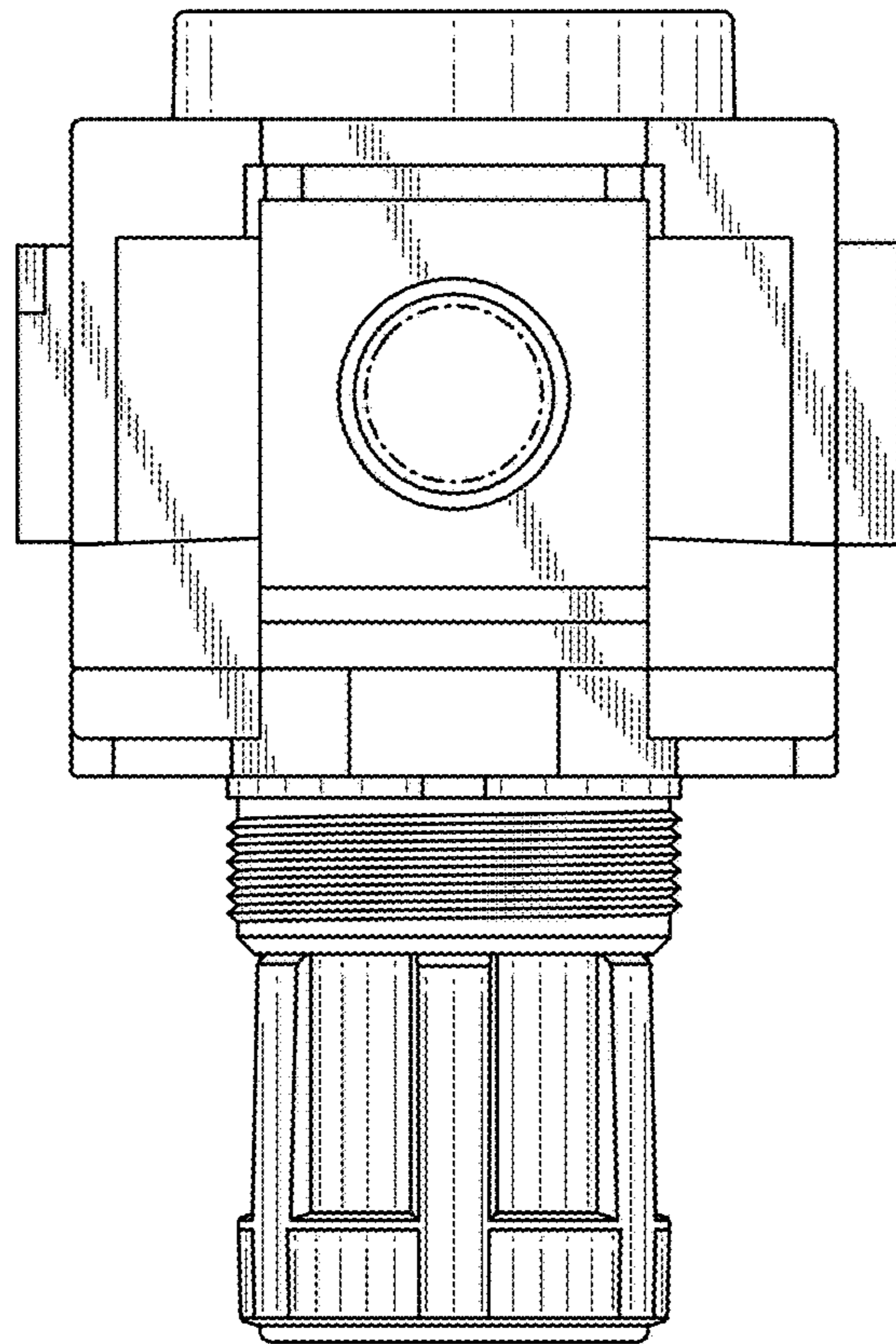


FIG. 8

