



US00D842431S

(12) **United States Design Patent** (10) **Patent No.:** **US D842,431 S**
Cacka et al. (45) **Date of Patent:** **** Mar. 5, 2019**

(54) **SHOWERHEAD NOZZLE**

OTHER PUBLICATIONS

(71) Applicant: **WATER PIK, INC.**, Fort Collins, CO (US)

U.S. Appl. No. 14/304,495, filed Jun. 13, 2014.
U.S. Appl. No. 15/208,158, filed Jul. 12, 2016.
U.S. Appl. No. 15/937,719, filed Mar. 27, 2018.

(72) Inventors: **Joseph W. Cacka**, Berthoud, CO (US);
Leland C. Leber, Fort Collins, CO (US);
Michael J. Quinn, Windsor, CO (US)

Primary Examiner — Robin V Webster

(74) *Attorney, Agent, or Firm* — Dorsey & Whitney LLP

(73) Assignee: **WATER PIK, INC.**, Fort Collins, CO (US)

(57) **CLAIM**

We claim the ornamental design for a showerhead nozzle, as shown and described.

(**) Term: **15 Years**

DESCRIPTION

(21) Appl. No.: **29/662,928**

(22) Filed: **Sep. 10, 2018**

Related U.S. Application Data

(60) Continuation of application No. 15/208,158, filed on Jul. 12, 2016, which is a division of application No. 14/304,495, filed on Jun. 13, 2014, now Pat. No. 9,404,243.

(51) **LOC (11) Cl.** **23-01**

(52) **U.S. Cl.**
USPC **D23/213**

(58) **Field of Classification Search**

USPC D23/213, 223, 226, 229, 230
CPC A61H 9/0021; A61H 33/00; B05B 1/00;
B05B 1/14; B05B 1/185; B05B 1/08;
B05B 1/02; B05B 1/26; B05B 12/002;
B05B 1/18

See application file for complete search history.

(56) **References Cited**

U.S. PATENT DOCUMENTS

4,190,207 A 2/1980 Feinhold et al.
D268,359 S 3/1983 Klose

(Continued)

FIG. 1 is a left, front isometric view of a showerhead nozzle. FIG. 2 is a right, front isometric view of the showerhead nozzle of FIG. 1.

FIG. 3 is a front elevation view of the showerhead nozzle of FIG. 1.

FIG. 4 is a rear elevation view of the showerhead nozzle of FIG. 1.

FIG. 5 is a left side elevation view of the showerhead nozzle of FIG. 1.

FIG. 6 is a right side elevation view of the showerhead nozzle of FIG. 1.

FIG. 7 is a top plan view of the showerhead nozzle of FIG. 1.

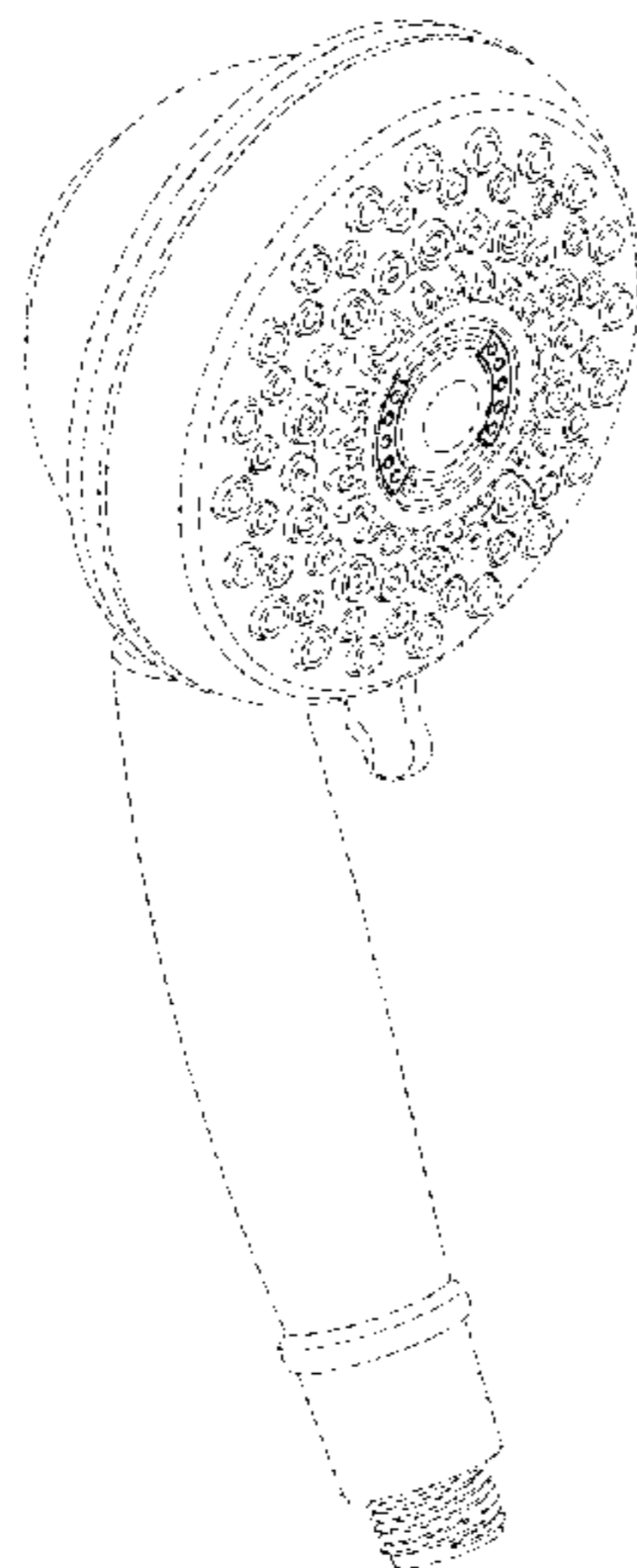
FIG. 8 is a bottom plan view of the showerhead nozzle of FIG. 1.

FIG. 9 is an enlarged fragmentary view of the showerhead nozzle of FIG. 1 and taken along detail line 9-9 of FIG. 2; and,

FIG. 10 is an enlarged fragmentary view of the showerhead nozzle of FIG. 1 and taken along detail line 10-10 of FIG. 3.

The broken line showing of the showerhead illustrates environment and forms no part of the claimed design. All other broken lines illustrate portions of the showerhead nozzle that form no part of the claimed design.

1 Claim, 8 Drawing Sheets



(56)

References Cited

U.S. PATENT DOCUMENTS

5,476,225 A * 12/1995 Chan B05B 1/1636
239/449
5,690,282 A * 11/1997 Guo B05B 1/1636
239/395
D432,627 S * 10/2000 Tse D23/223
D525,341 S 7/2006 Bossini
D530,391 S * 10/2006 Tse D23/223
D557,764 S 12/2007 Schönherr et al.
D564,621 S * 3/2008 Lammel D23/223
D581,014 S * 11/2008 Quinn D23/223
D652,106 S * 1/2012 Yoo D23/213
D668,743 S * 10/2012 Kennedy D23/213
D680,619 S * 4/2013 Zhadanov D23/223
D681,776 S * 5/2013 Cutler D23/223
D744,065 S * 11/2015 Peterson D23/223
D744,611 S * 12/2015 Quinn D23/223
D744,612 S 12/2015 Peterson
D755,346 S * 5/2016 Yan D23/223
9,404,243 B2 * 8/2016 Cacka B05B 1/1654
D779,039 S * 2/2017 Hanna D23/223
9,764,339 B2 * 9/2017 Yu B05B 1/18
D803,351 S 11/2017 Ladwig et al.
2014/0367482 A1 12/2014 Cacka
2015/0211728 A1 12/2015 Zhadanov et al.
2017/0297039 A1 10/2017 Cacka et al.

* cited by examiner

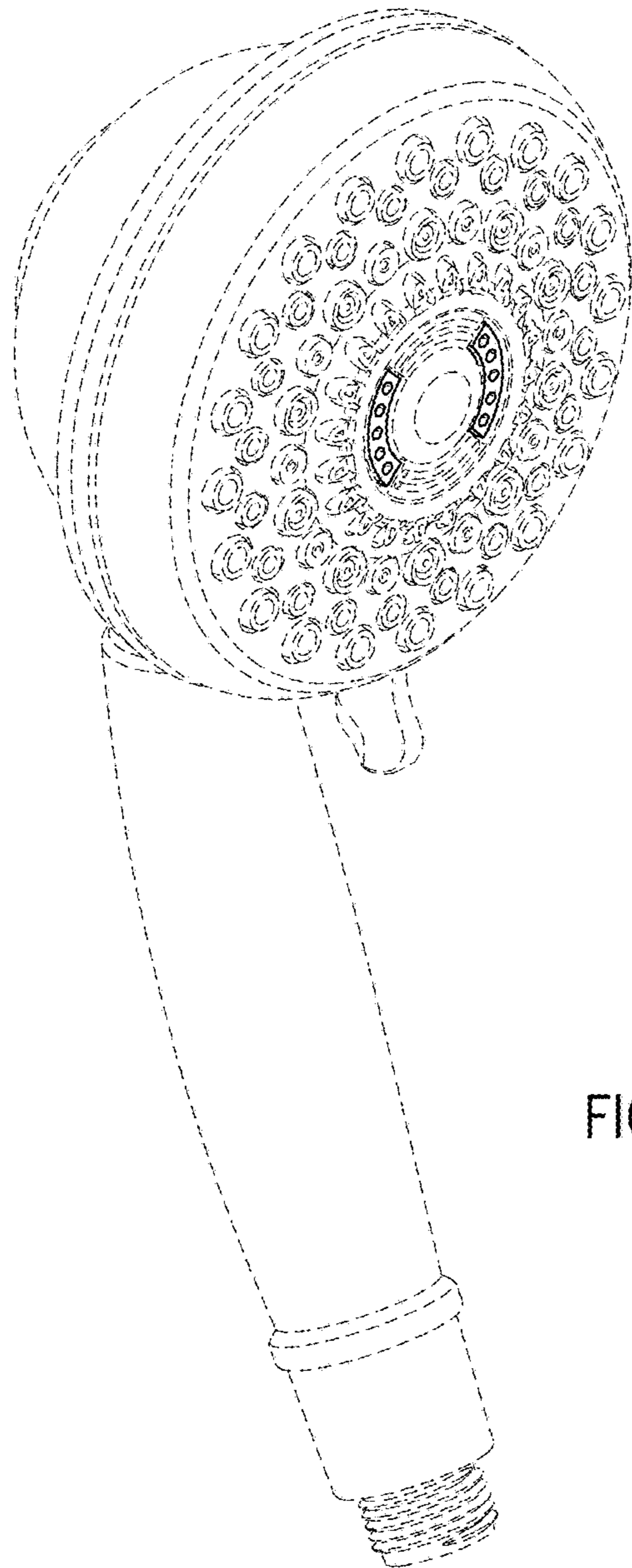


FIG. 1

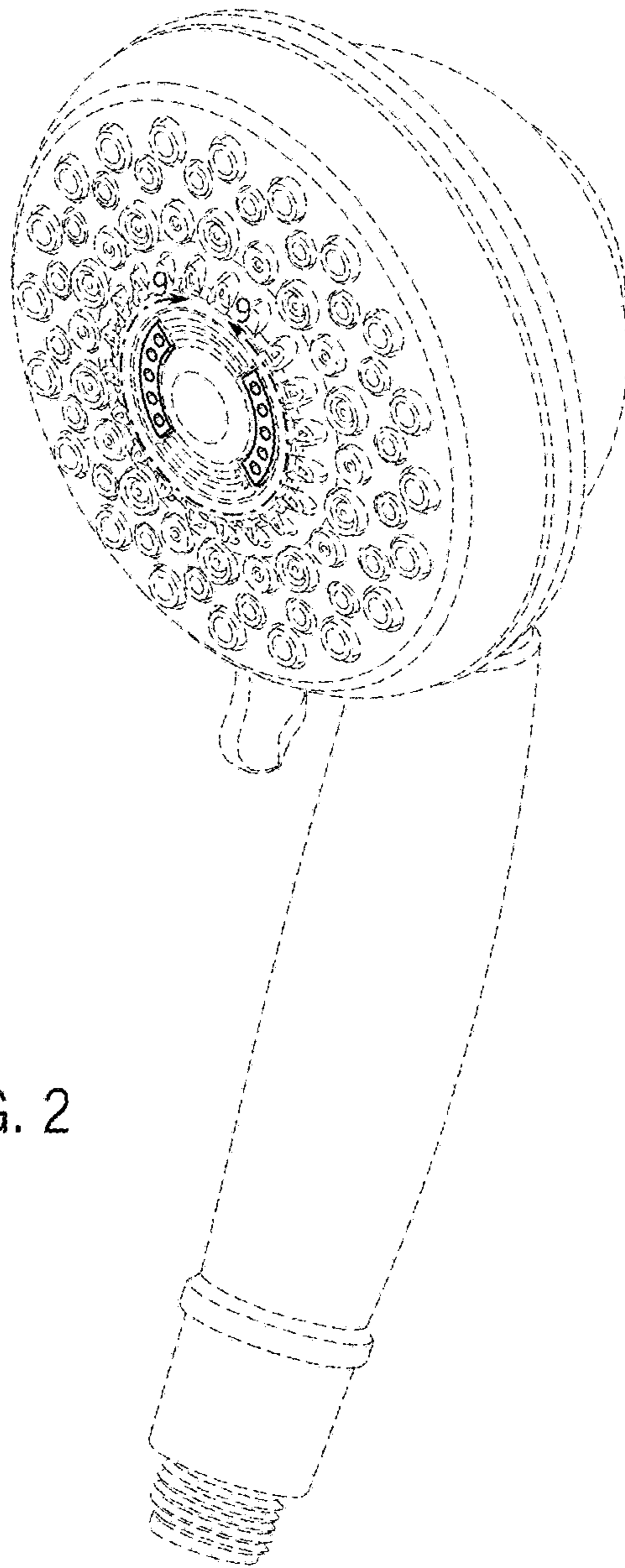
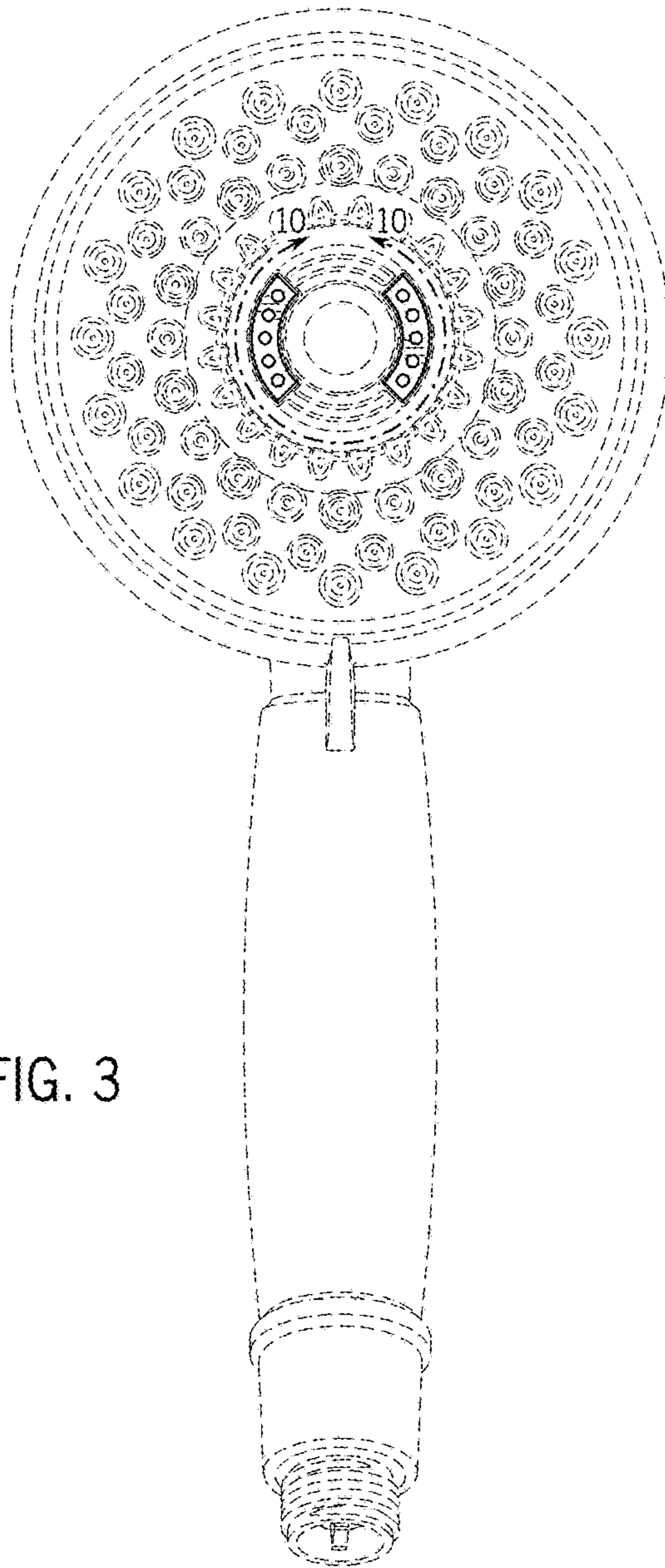


FIG. 2



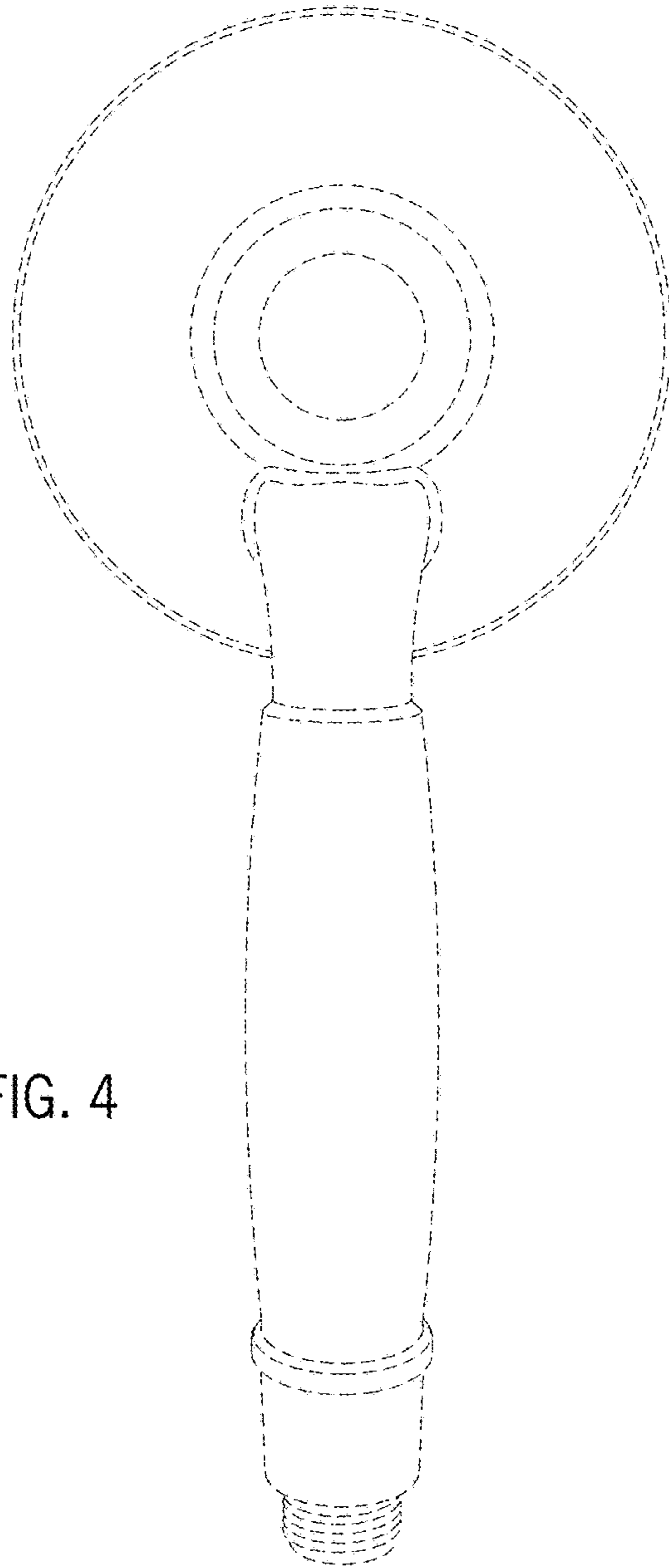


FIG. 4

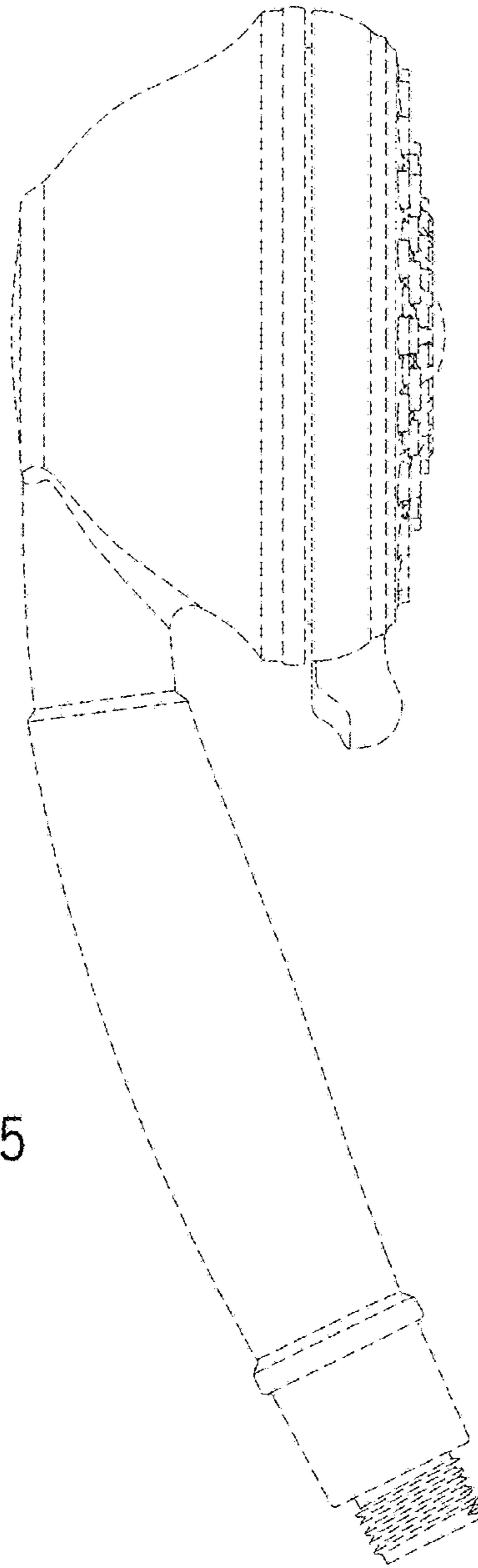


FIG. 5

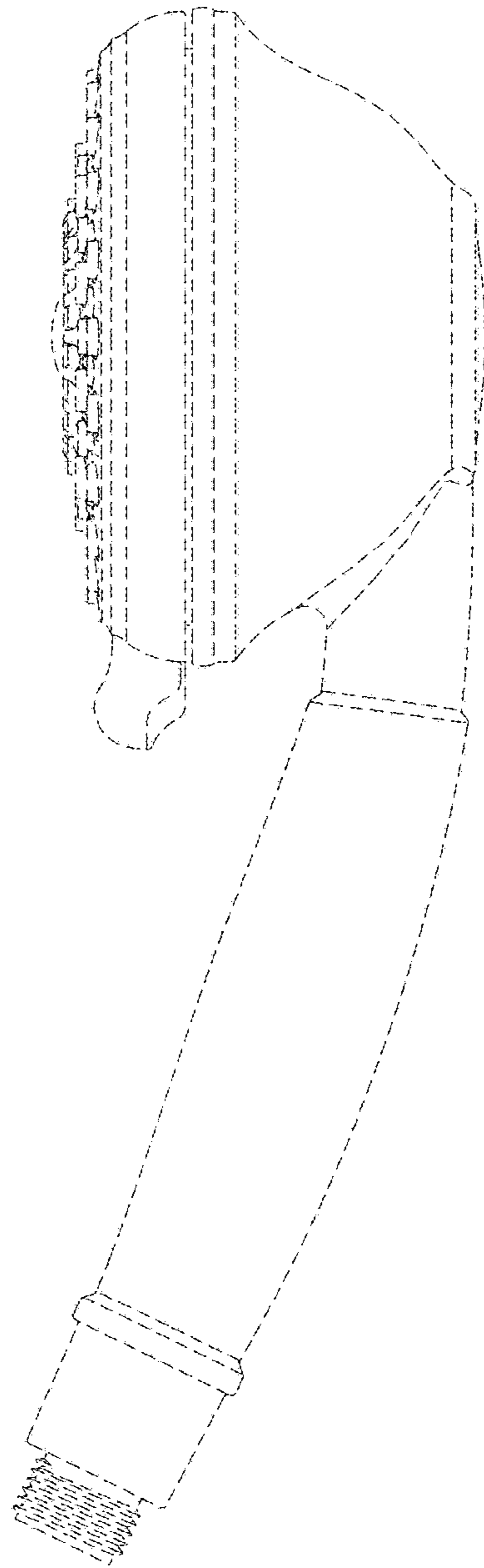


FIG. 6

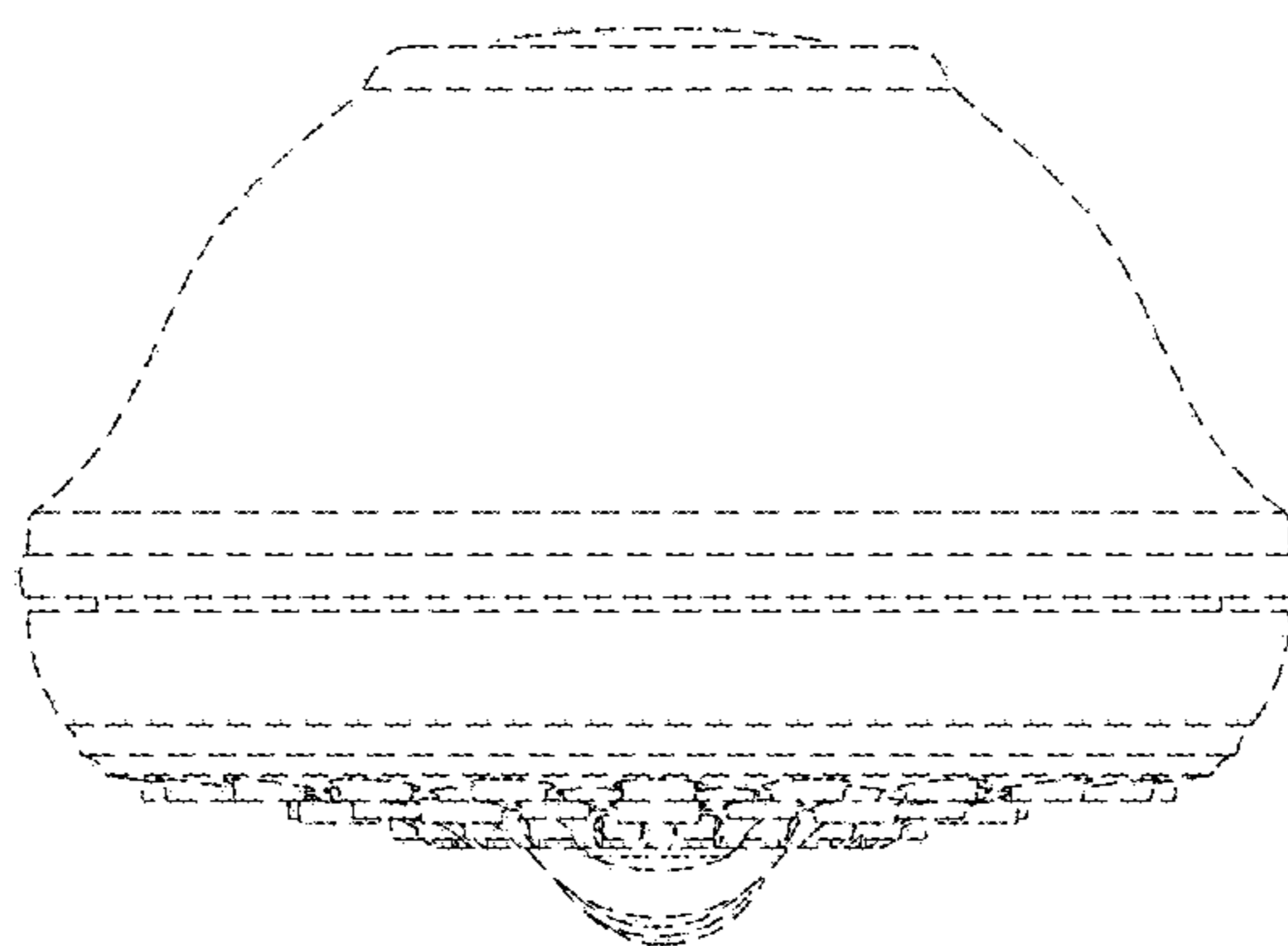


FIG. 7

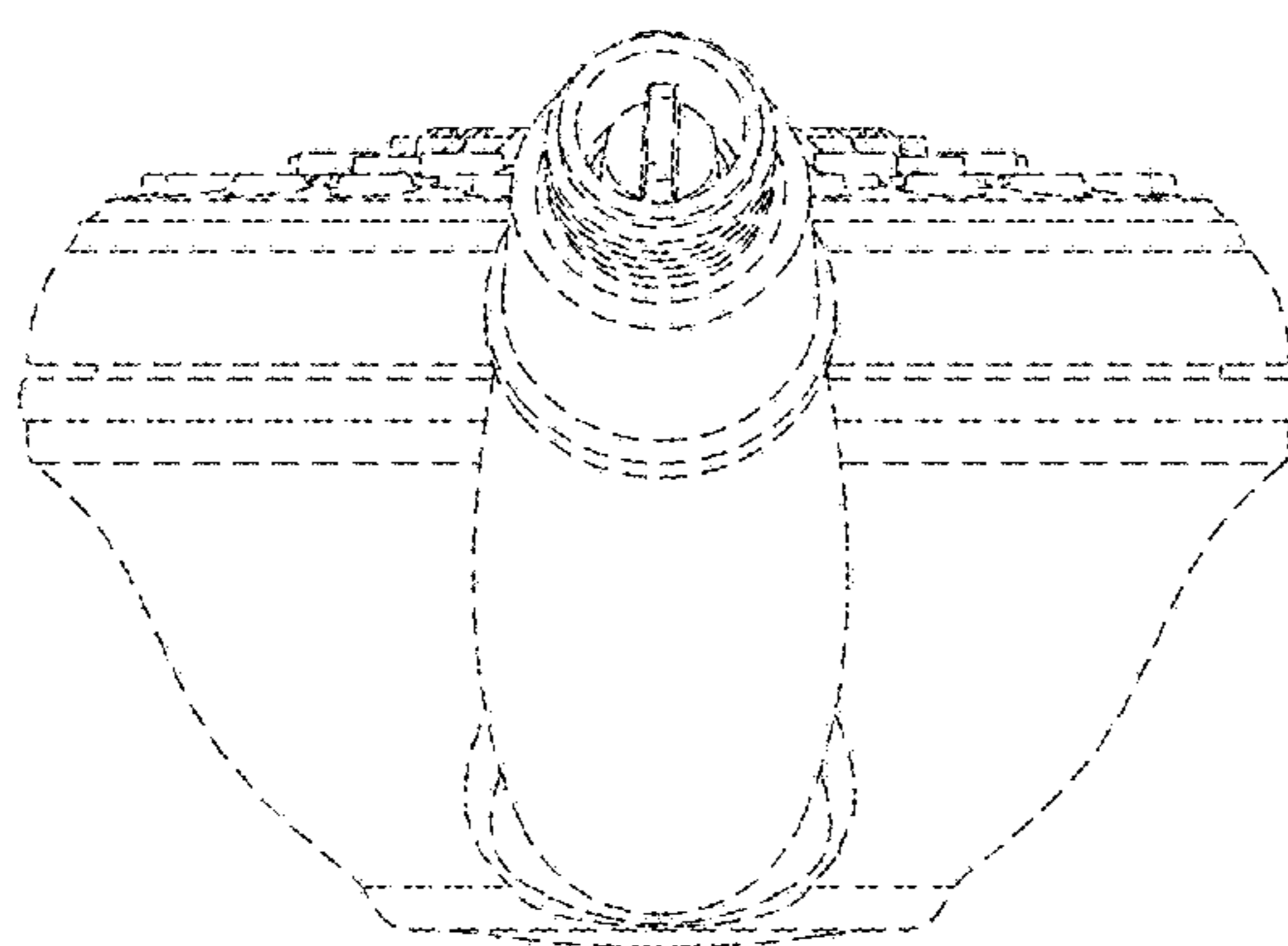


FIG. 8

FIG. 9

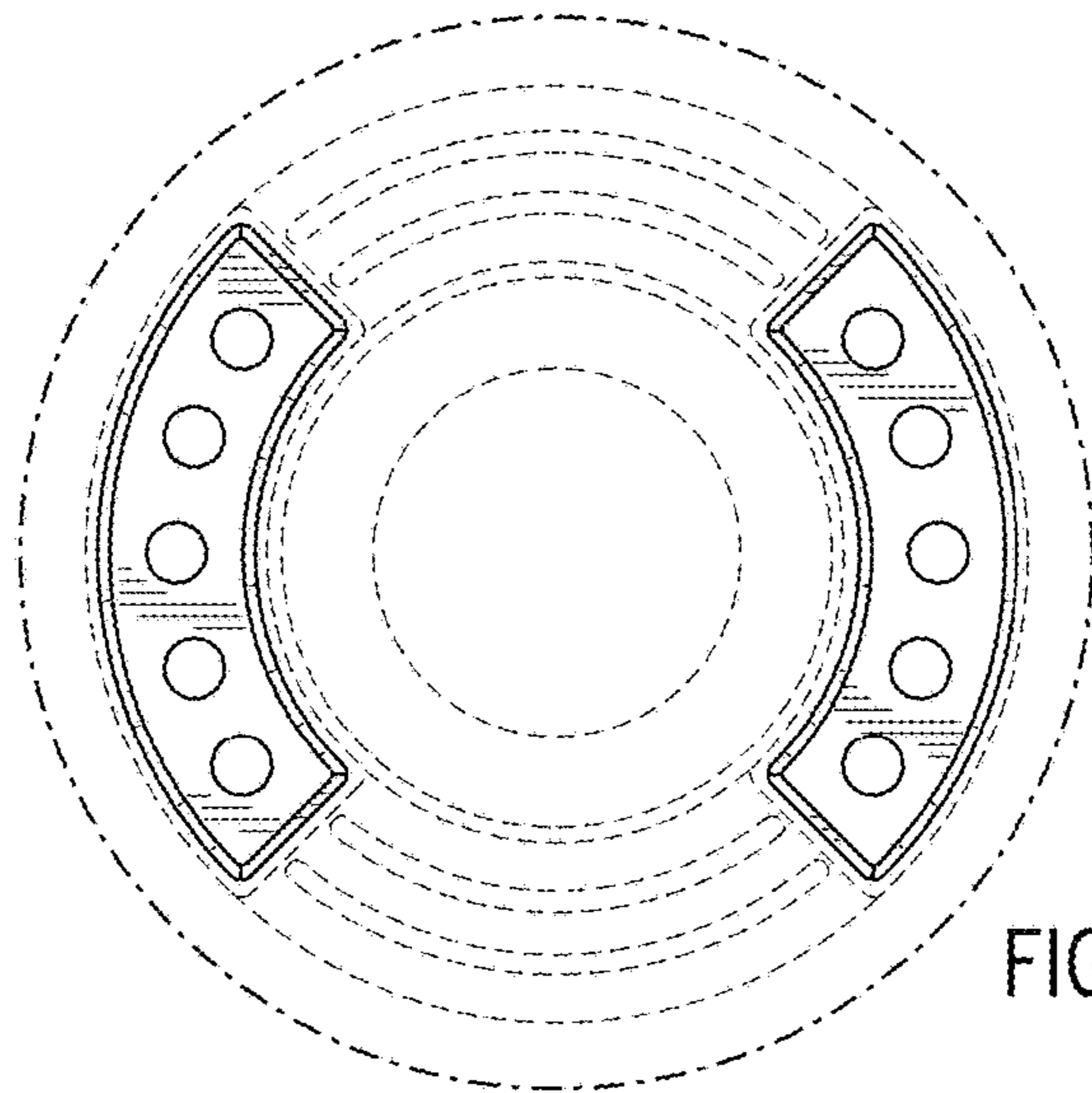
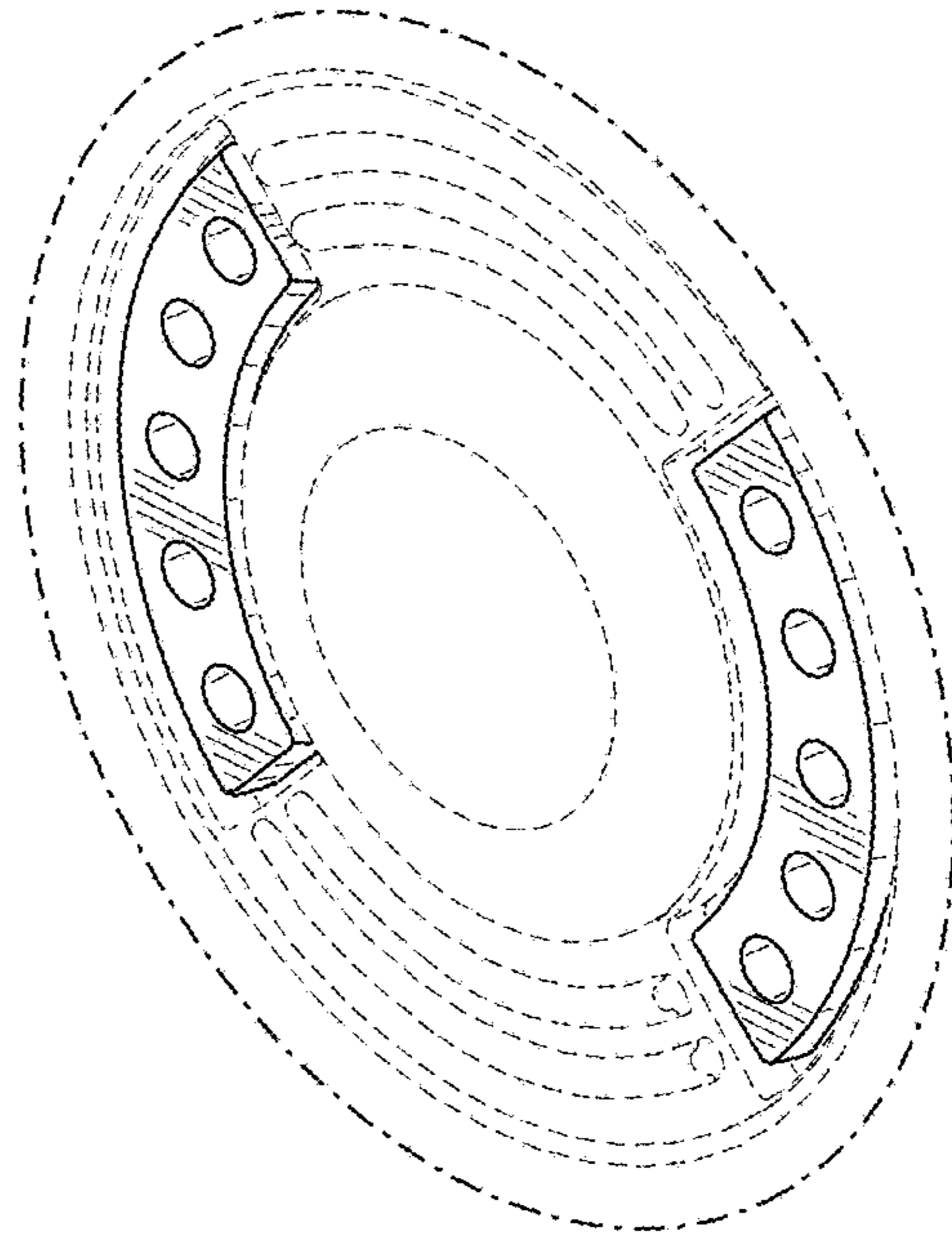


FIG. 10