



US00D842430S

(12) **United States Design Patent**
Huang

(10) **Patent No.:** **US D842,430 S**

(45) **Date of Patent:** **** Mar. 5, 2019**

(54) **SHOWER HEAD**
(71) Applicant: **XIAMEN LELIN SANITARY WARE CO., LTD.**, Xiamen, Fujian (CN)
(72) Inventor: **Zhenyu Huang**, Fujian (CN)
(73) Assignee: **XIAMEN LELIN SANITARY WARE CO., LTD.**, Xiamen (CN)

(**) Term: **15 Years**
(21) Appl. No.: **29/623,552**

(22) Filed: **Oct. 25, 2017**

(30) **Foreign Application Priority Data**

Jun. 23, 2017 (CN) 2017 3 0262744

(51) **LOC (11) Cl.** **23-01**

(52) **U.S. Cl.**
USPC **D23/213; D23/255**

(58) **Field of Classification Search**
USPC D23/213, 229, 230, 255, 257; 137/801;
4/678

CPC A47K 7/00; B05B 1/00; B05B 1/05; B05B
1/18; B05B 1/185; B05B 1/14; B05B
1/02

See application file for complete search history.

(56) **References Cited**

U.S. PATENT DOCUMENTS

D215,936 S * 11/1969 Contreras D23/229
D409,277 S * 5/1999 Gottwald D23/229

D410,732 S * 6/1999 Gottwald D23/229
D522,614 S * 6/2006 Ko D23/213
D550,326 S * 9/2007 Huang D23/213
D585,961 S * 2/2009 Nobili D23/213
D587,343 S * 2/2009 Nobili D23/213
7,694,898 B2 * 4/2010 Munoz Huerta B05B 1/16
239/587.4
D652,489 S * 1/2012 Bosio D23/255
D655,398 S * 3/2012 Bosio D23/255
D657,024 S * 4/2012 Bosio D23/255
D701,942 S * 4/2014 Flowers B05B 1/1627
D23/213
D754,301 S * 4/2016 Bahler D23/255
D758,552 S * 6/2016 Rexach D23/255
9,545,639 B2 * 1/2017 Meehan B05B 1/1627
9,623,423 B2 * 4/2017 Erickson E03C 1/084
D802,091 S * 11/2017 Bahler D23/213
D807,989 S * 1/2018 Kaule D23/213

* cited by examiner

Primary Examiner — Robin V Webster

(74) *Attorney, Agent, or Firm* — Rabin & Berdo, P.C.

(57) **CLAIM**

The ornamental design for a shower head, as shown.

DESCRIPTION

FIG. 1. is a front view of a shower head showing my new design thereof;

FIG. 2. is a rear view thereof;

FIG. 3. is a left side view thereof;

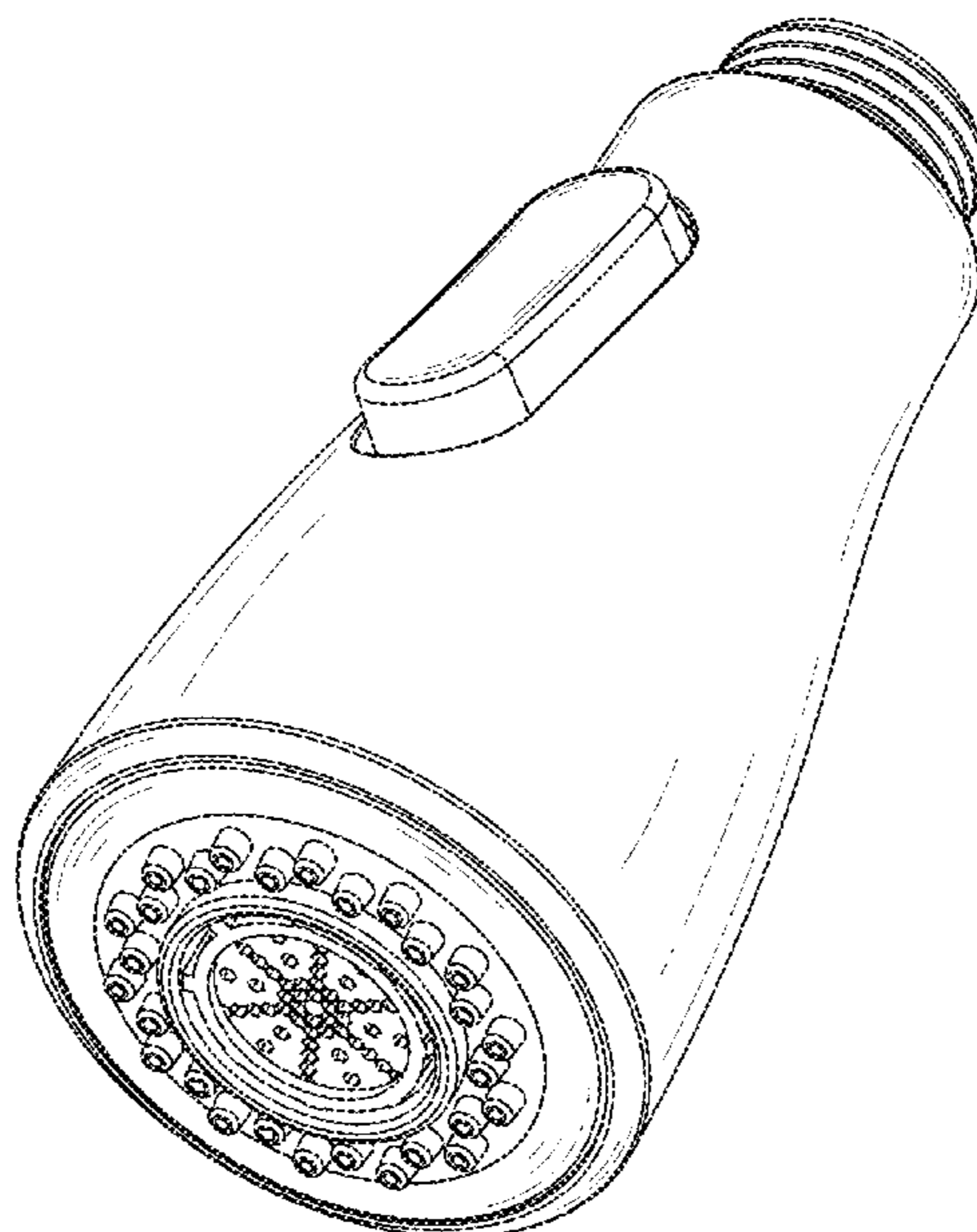
FIG. 4. is a right side view thereof;

FIG. 5. is a top plan view thereof;

FIG. 6. is a bottom plan view thereof; and,

FIG. 7. is a perspective view thereof.

1 Claim, 7 Drawing Sheets



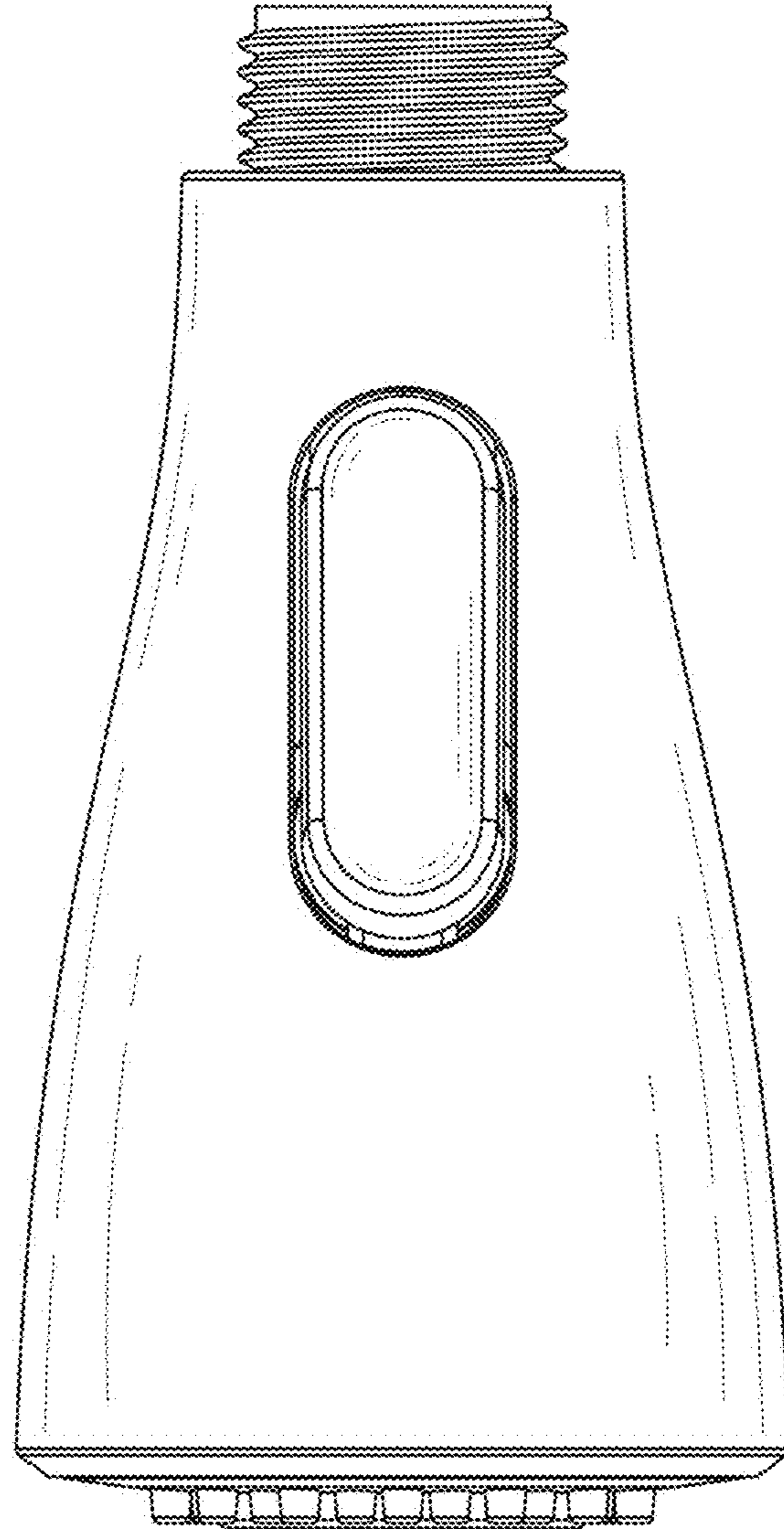


Fig. 1

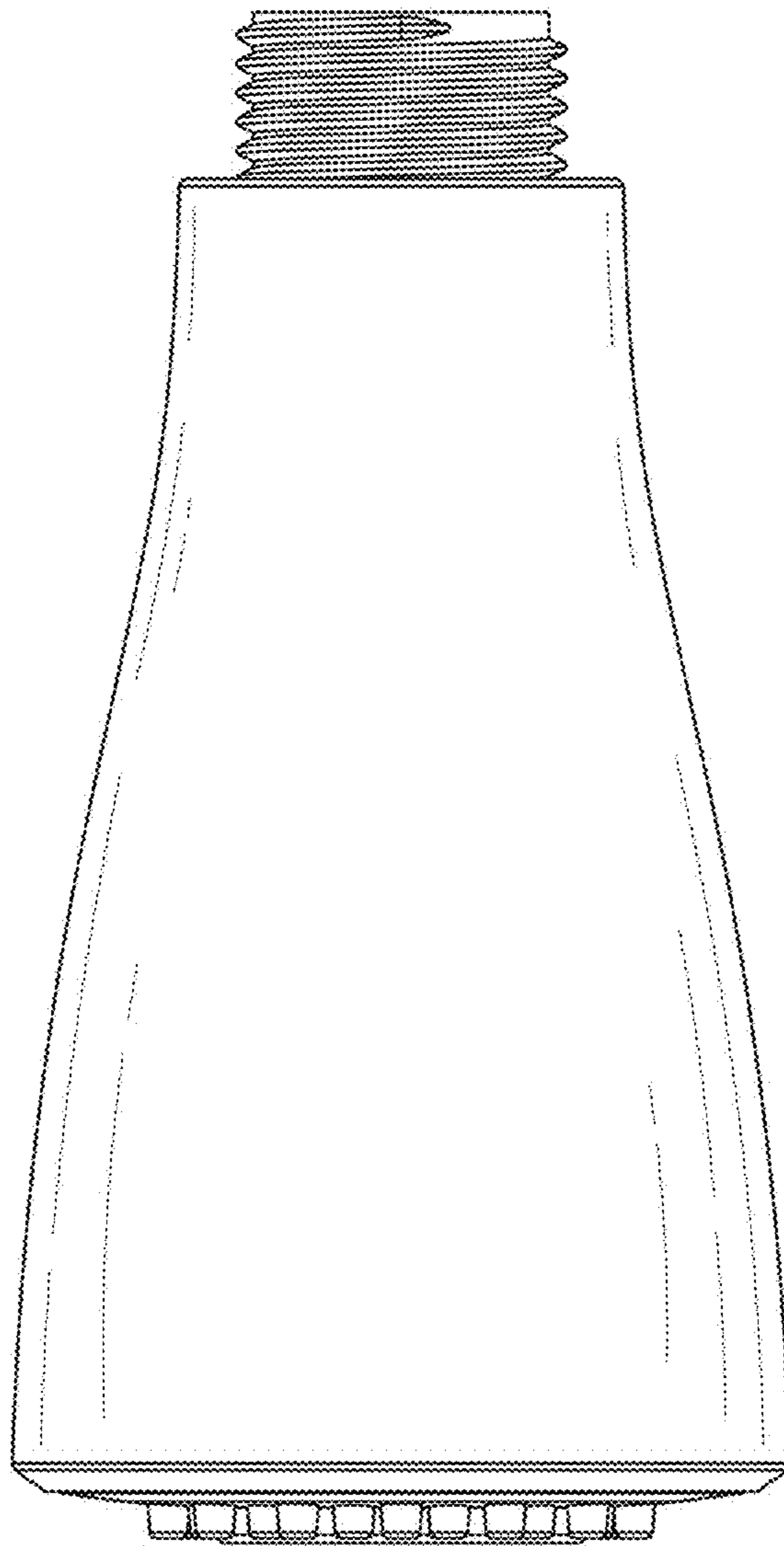


Fig. 2

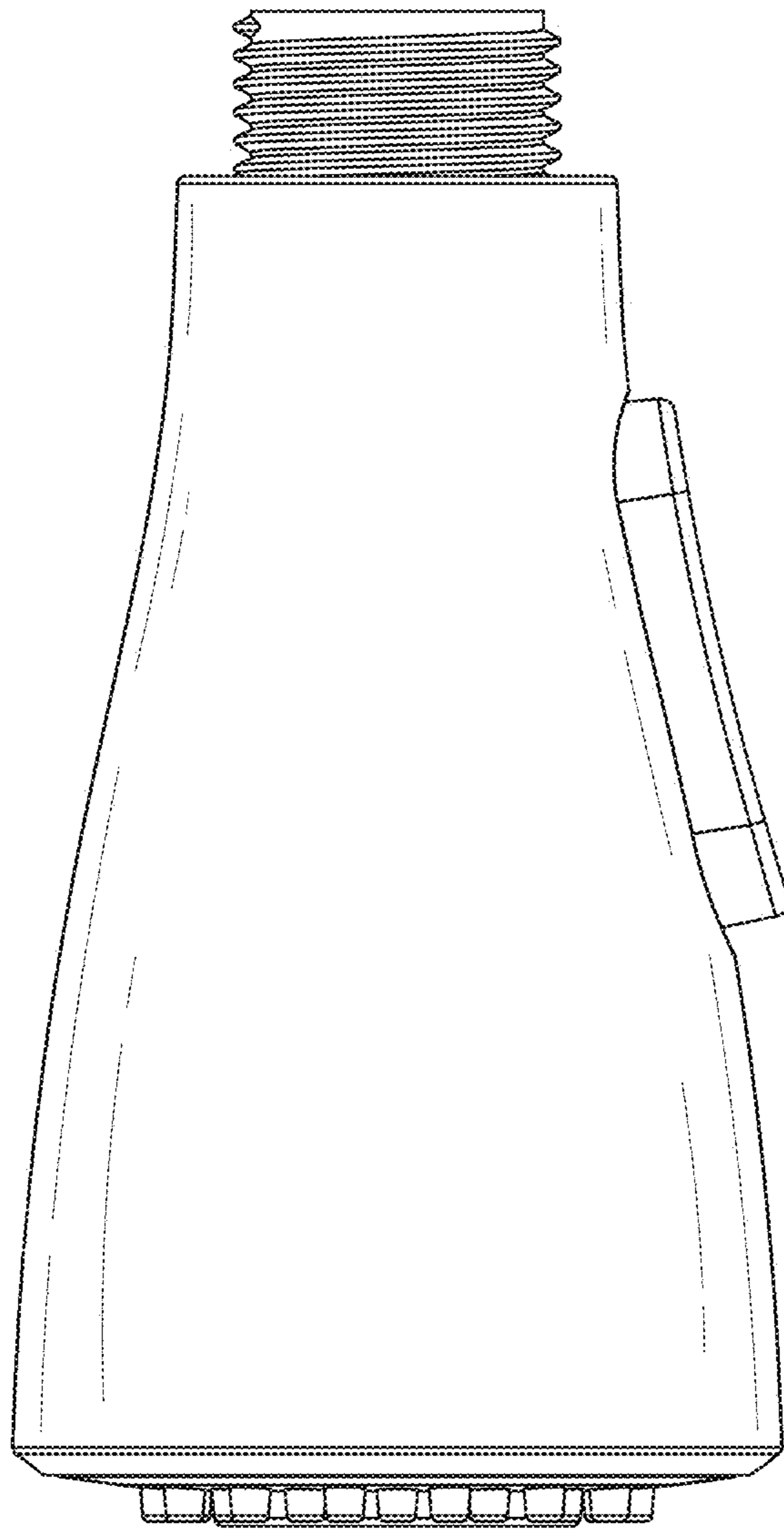


Fig. 3

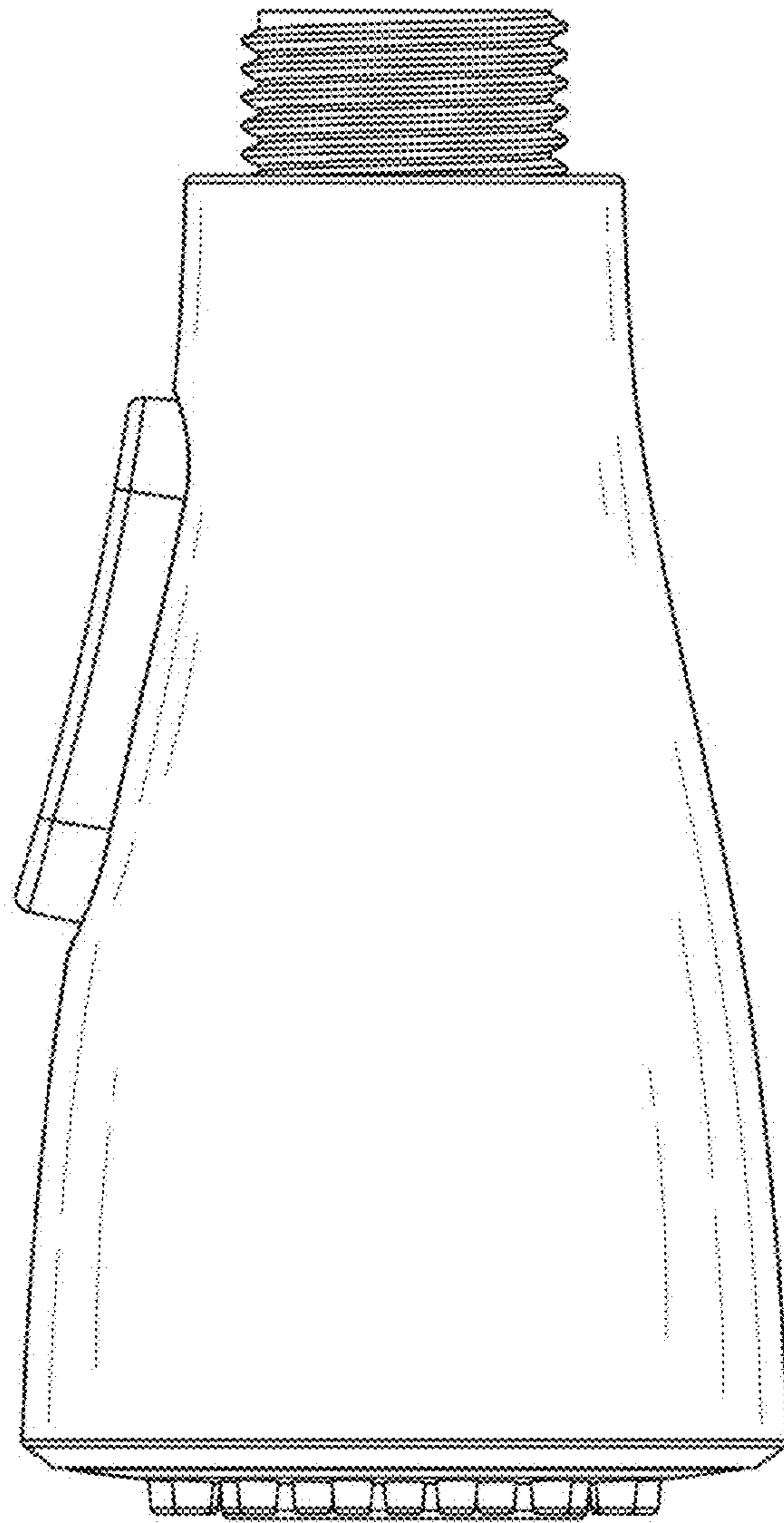


Fig. 4

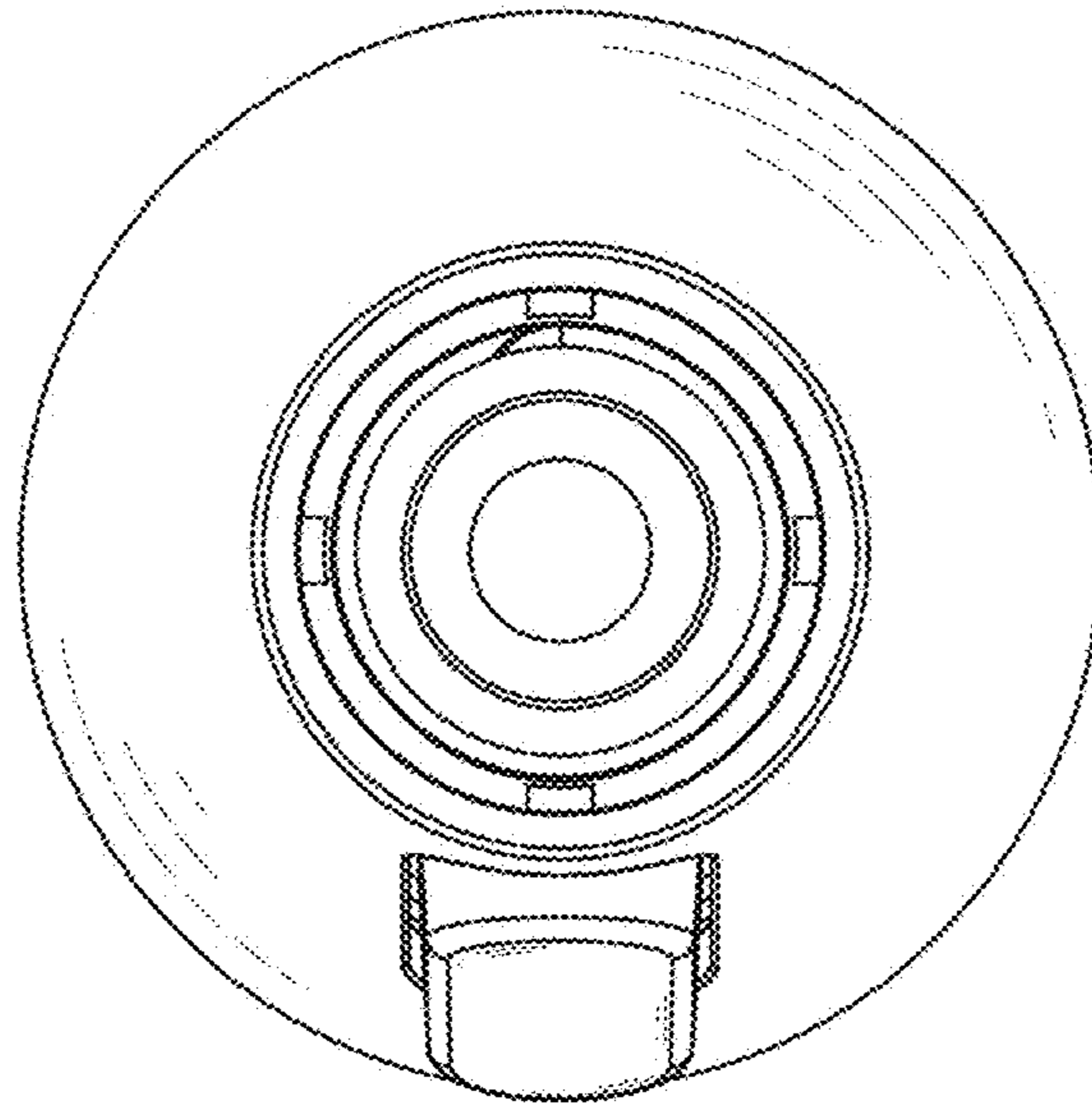


Fig. 5

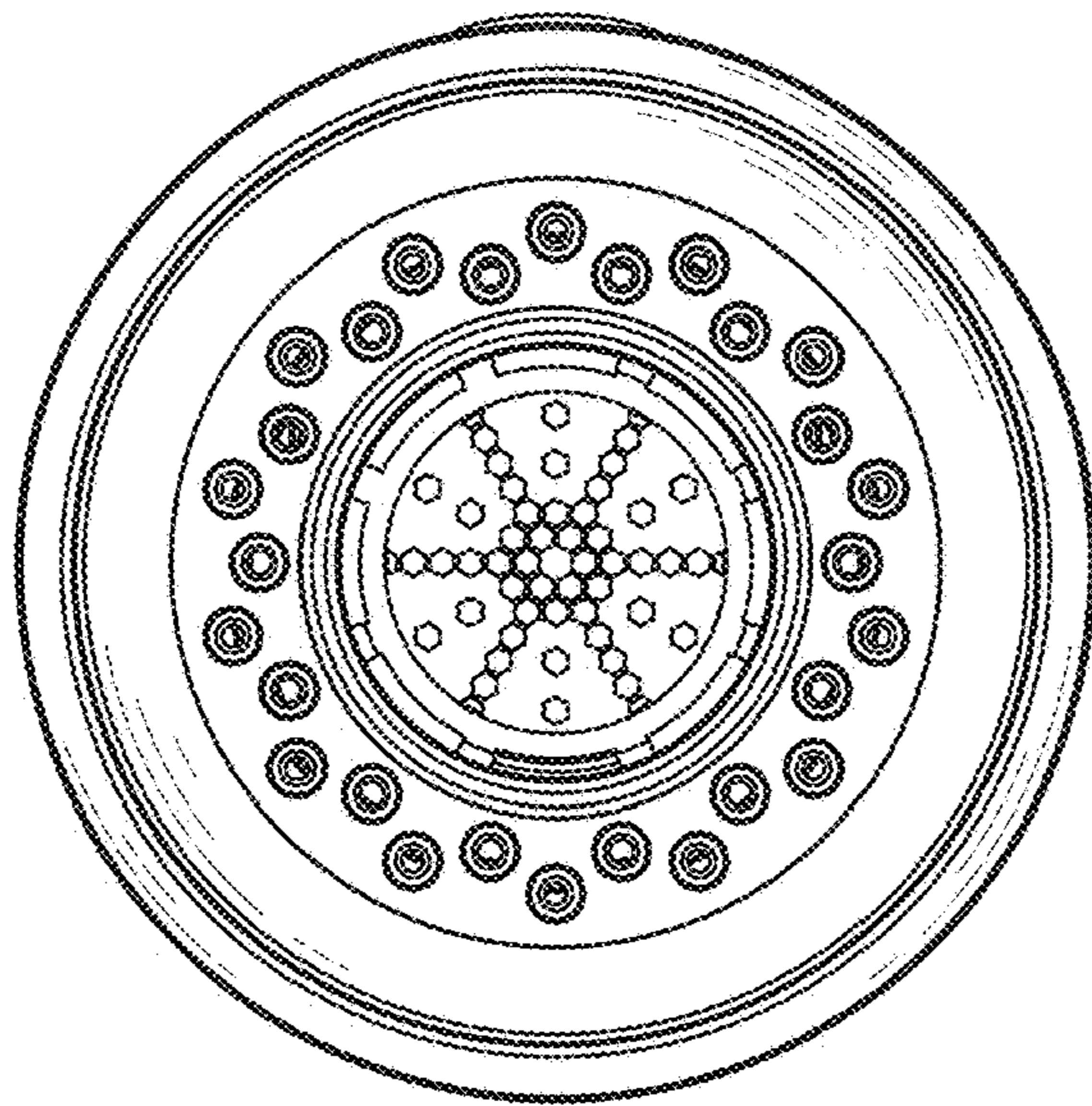


Fig. 6

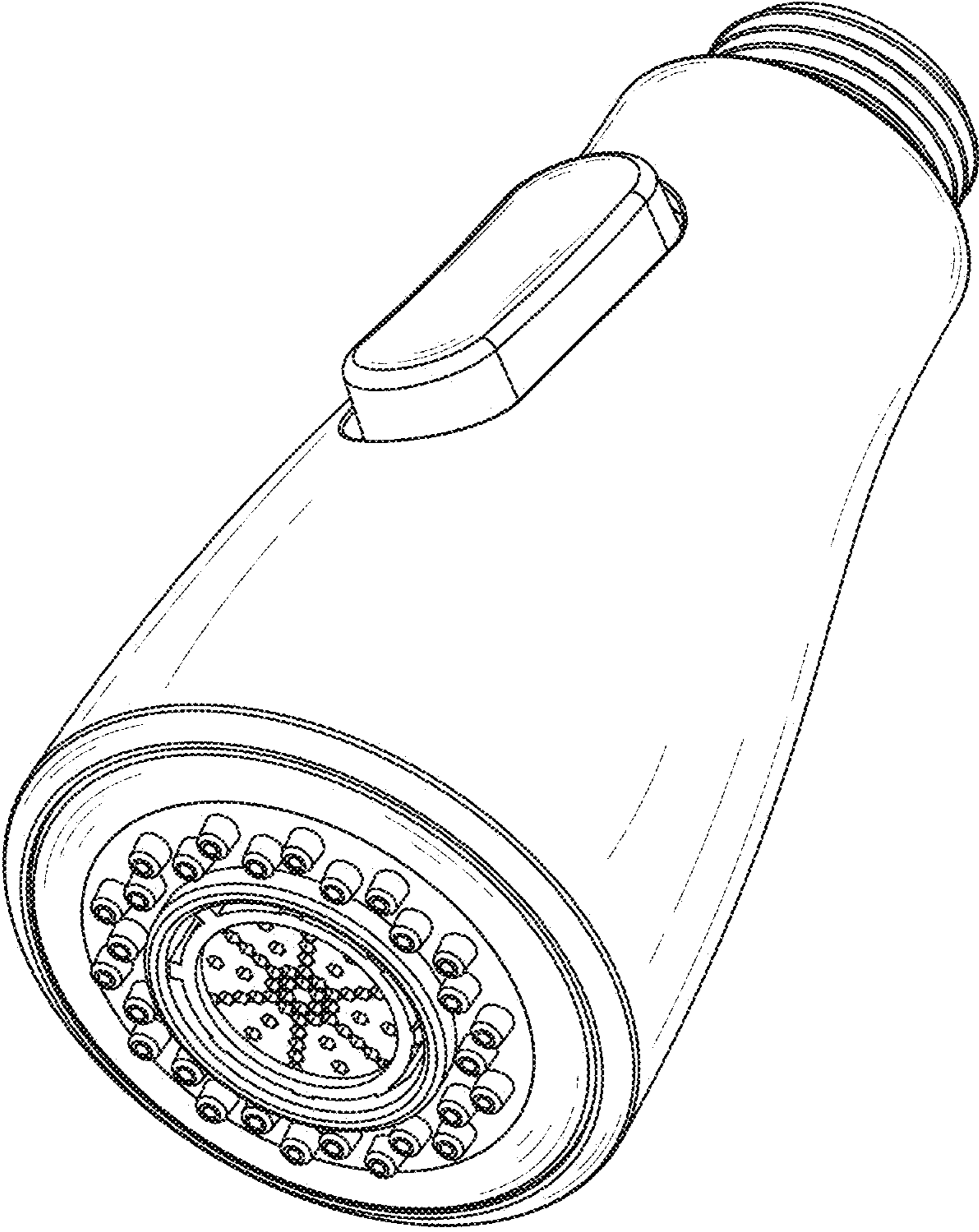


Fig. 7