



US00D842422S

(12) **United States Design Patent**
Guerrie et al.

(10) **Patent No.:** **US D842,422 S**

(45) **Date of Patent:** **** Mar. 5, 2019**

- (54) **MOUSE TRAP**
- (71) Applicants: **Ernest A. Guerrie**, Grand Junction, CO (US); **Katherine Guerrie**, Grand Junction, CO (US)
- (72) Inventors: **Ernest A. Guerrie**, Grand Junction, CO (US); **Katherine Guerrie**, Grand Junction, CO (US)

6,557,295 B1 * 5/2003 Alonso A01M 23/04
43/69
D506,608 S * 6/2005 Dong B65D 25/32
D3/276
7,627,981 B1 12/2009 Doster et al.
D676,098 S * 2/2013 Huang D22/119
D801,609 S * 10/2017 Cello D32/53

(**) Term: **15 Years**

(21) Appl. No.: **29/620,858**

(22) Filed: **Jul. 26, 2017**

(51) **LOC (11) Cl.** **22-06**

(52) **U.S. Cl.**
USPC **D22/119**

(58) **Field of Classification Search**
USPC D22/119-124; 43/58-83.5; D32/53,
D32/53.1; 242/599.1; D3/276, 294, 302
CPC A01M 23/00; A01M 23/04; A01M 23/08;
A01M 23/10; B65D 25/32
See application file for complete search history.

(56) **References Cited**

U.S. PATENT DOCUMENTS

D244,773 S * 6/1977 Curtis D22/119
5,528,852 A 6/1996 Sarff
5,720,126 A 2/1998 Lamb
5,996,274 A * 12/1999 Smith A01M 23/10
43/64

OTHER PUBLICATIONS

Walk the Plank Mouse Trap Auto Reset Rat Traps Remove all Mice Dropping into the Bucket-Sticky Rodent Traps Mouse Killer (Year: 2018).*

* cited by examiner

Primary Examiner — Catherine R Oliver-Garcia
(74) *Attorney, Agent, or Firm* — Paul R. Martin

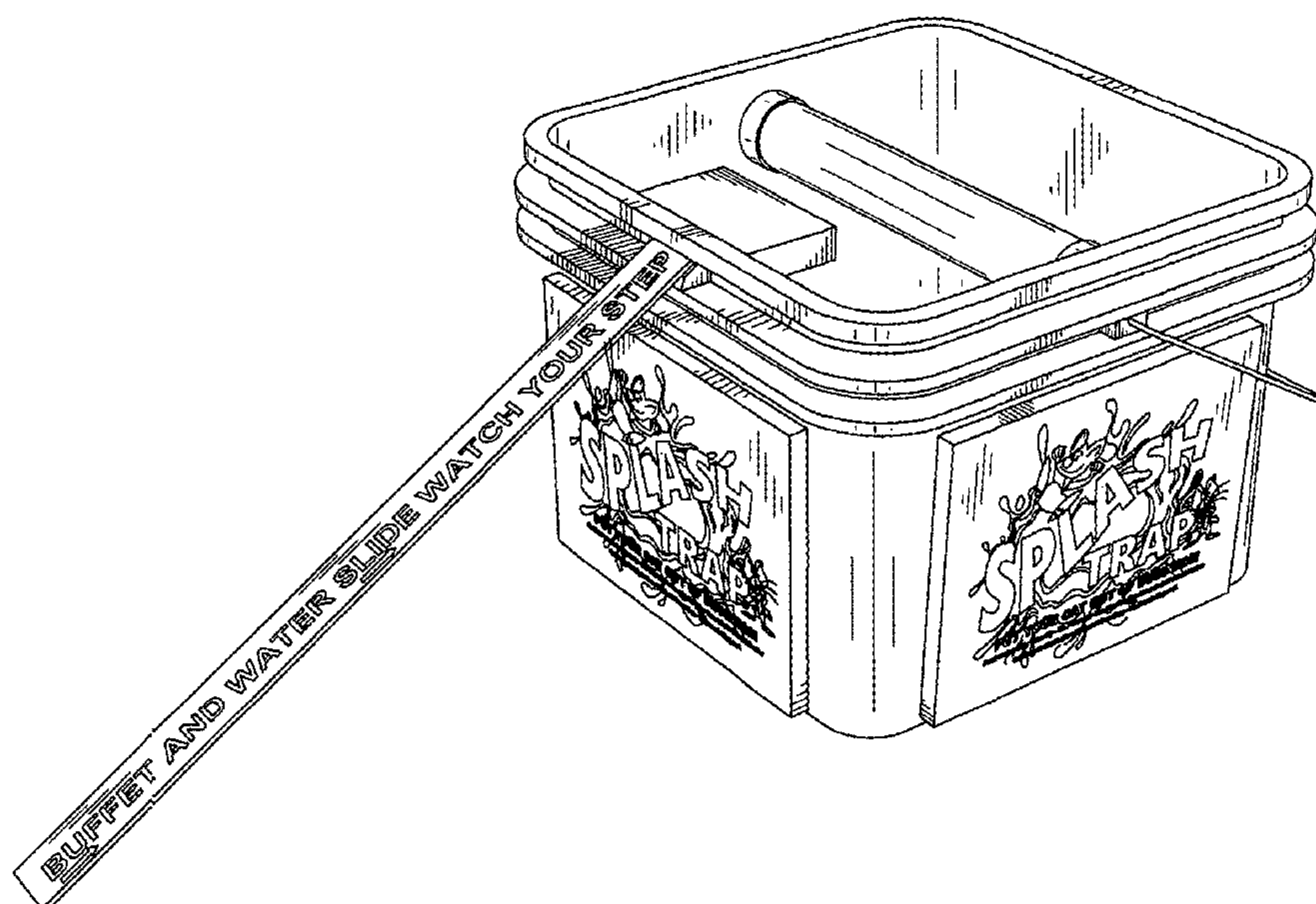
(57) **CLAIM**

The ornamental design for a mouse trap, as shown and described.

DESCRIPTION

FIG. 1 is a perspective view of the mouse trap of our new design.
FIG. 2 is a front elevation view thereof;
FIG. 3 is a rear elevation view thereof;
FIG. 4 is a left side elevation view thereof;
FIG. 5 is a right side elevation view thereof;
FIG. 6 is a top plan view thereof.
FIG. 7 is a bottom plan view thereof; and,
FIG. 8 is an enlarged view of the splash trap logo shown on the sides of the bucket in FIGS. 1-5.

1 Claim, 8 Drawing Sheets



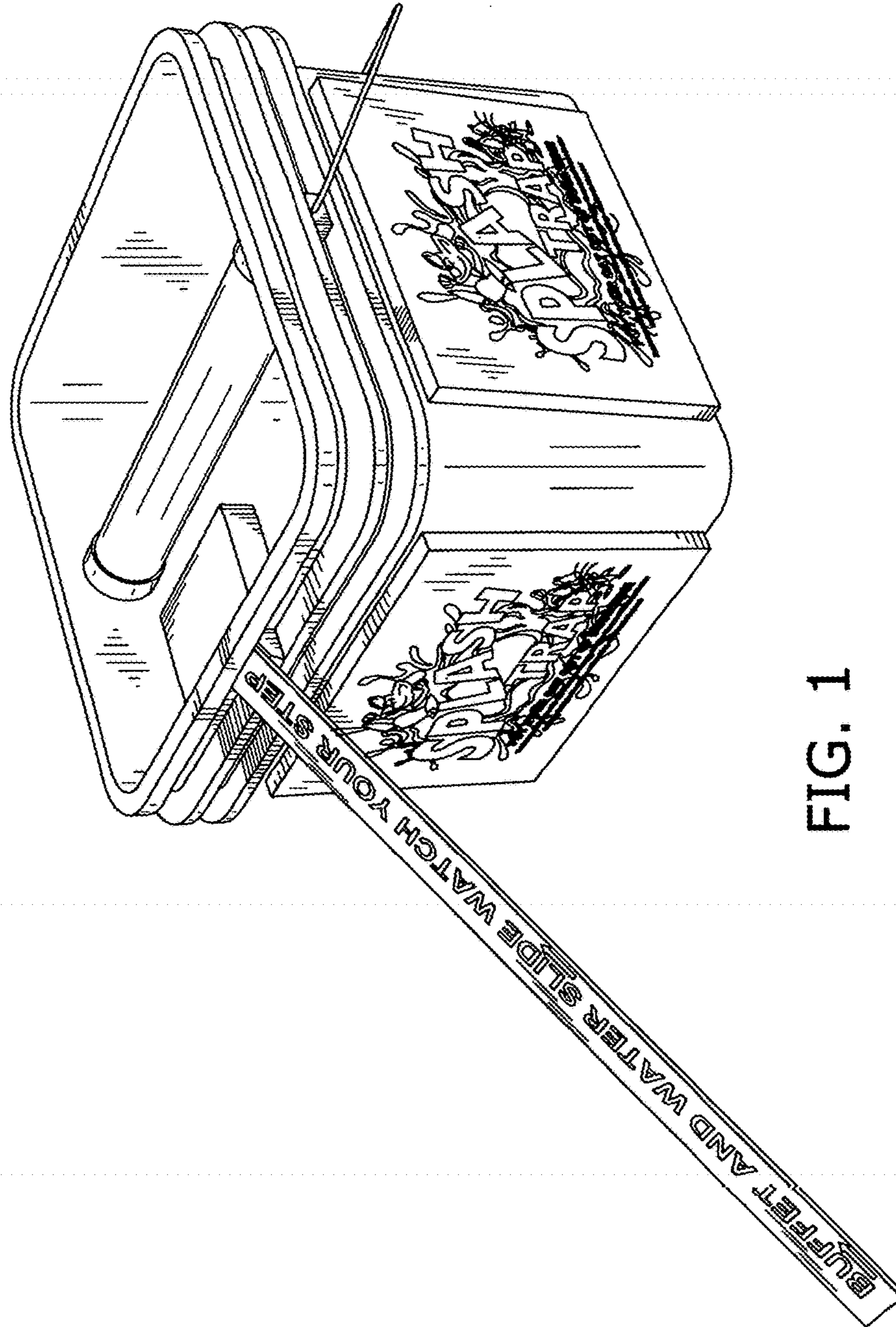


FIG. 1



FIG. 2

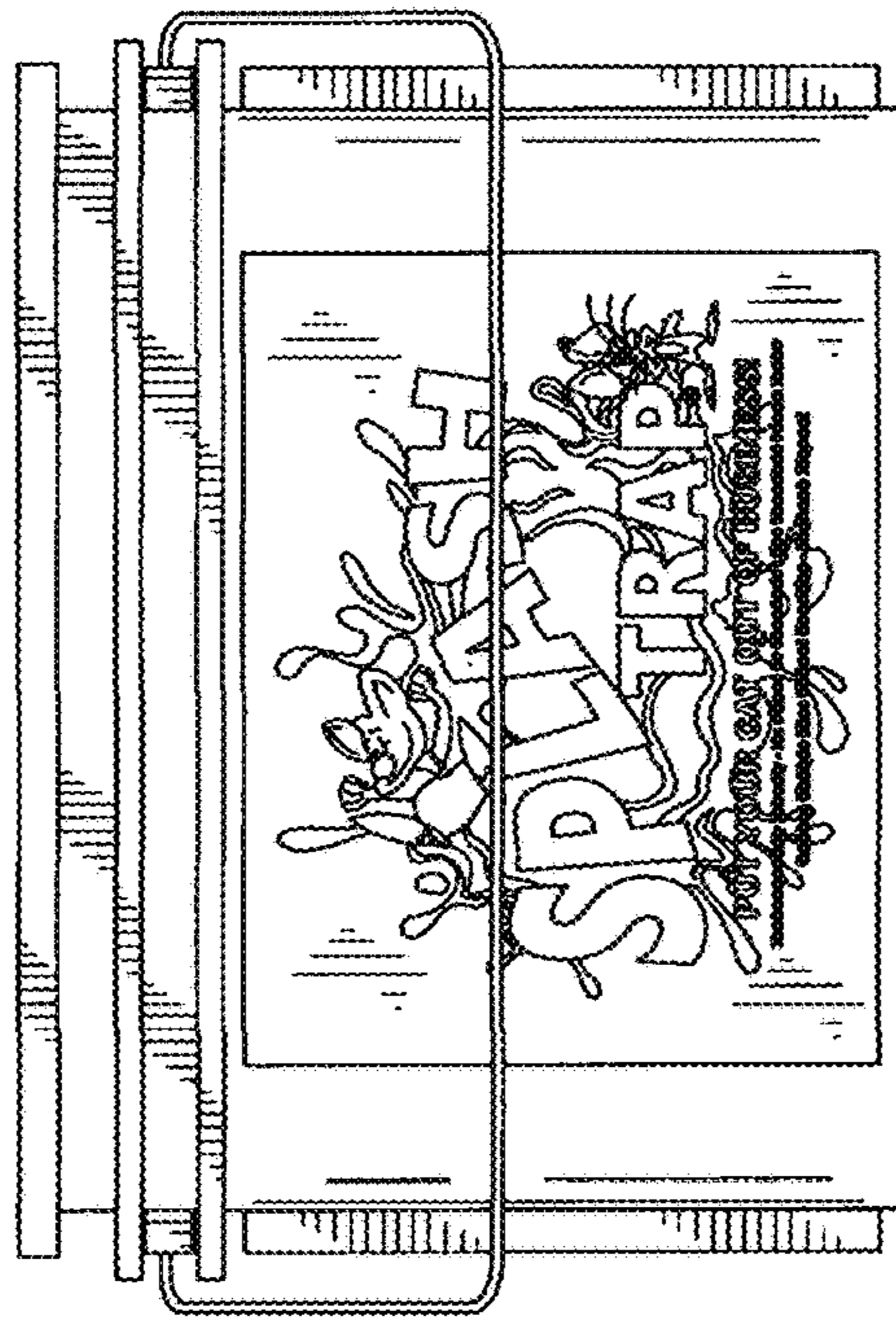


FIG. 3

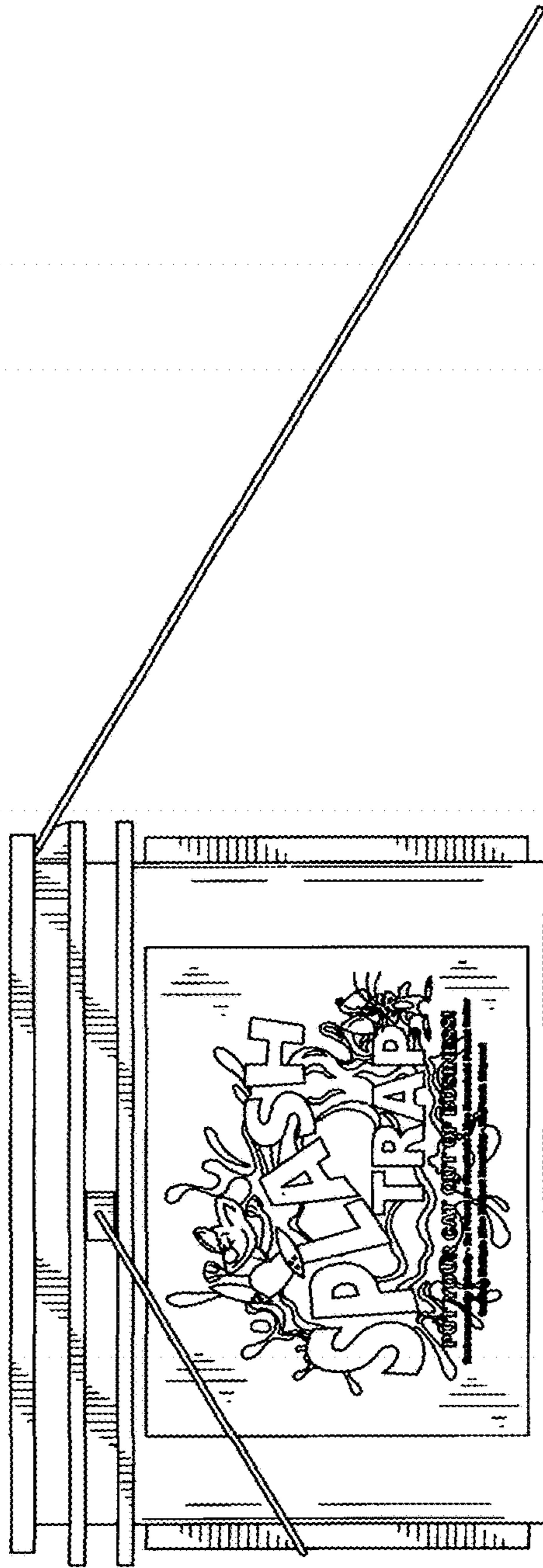


FIG. 4

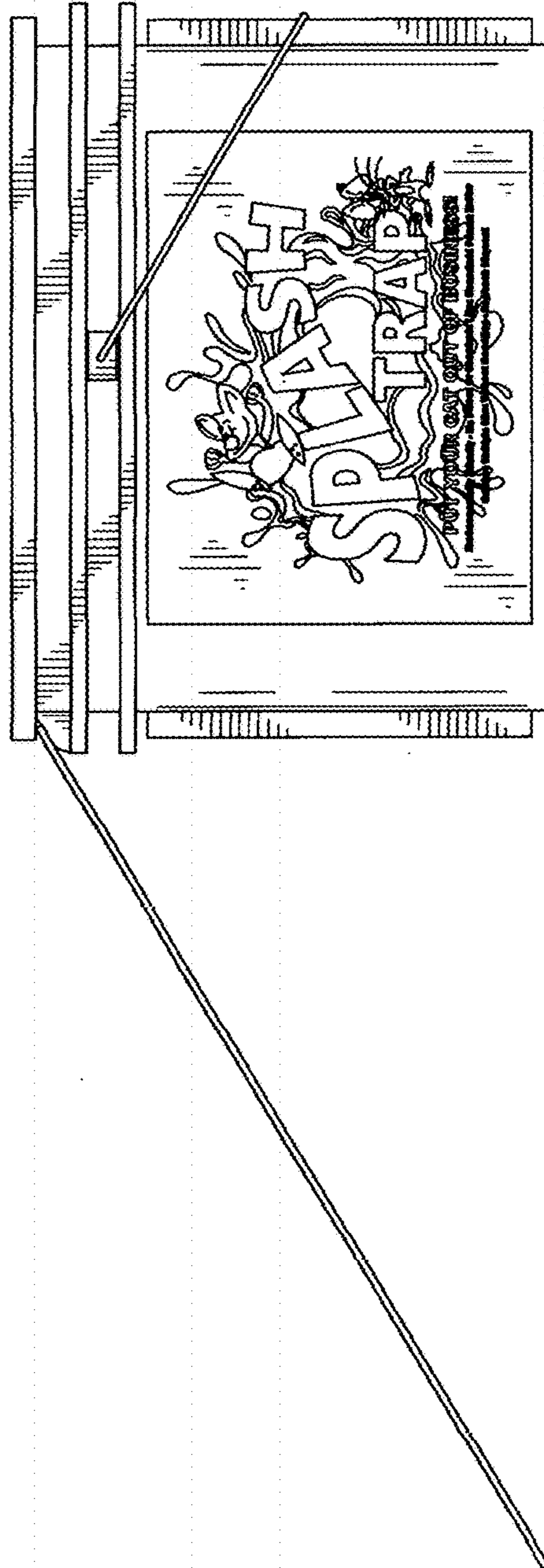


FIG. 5

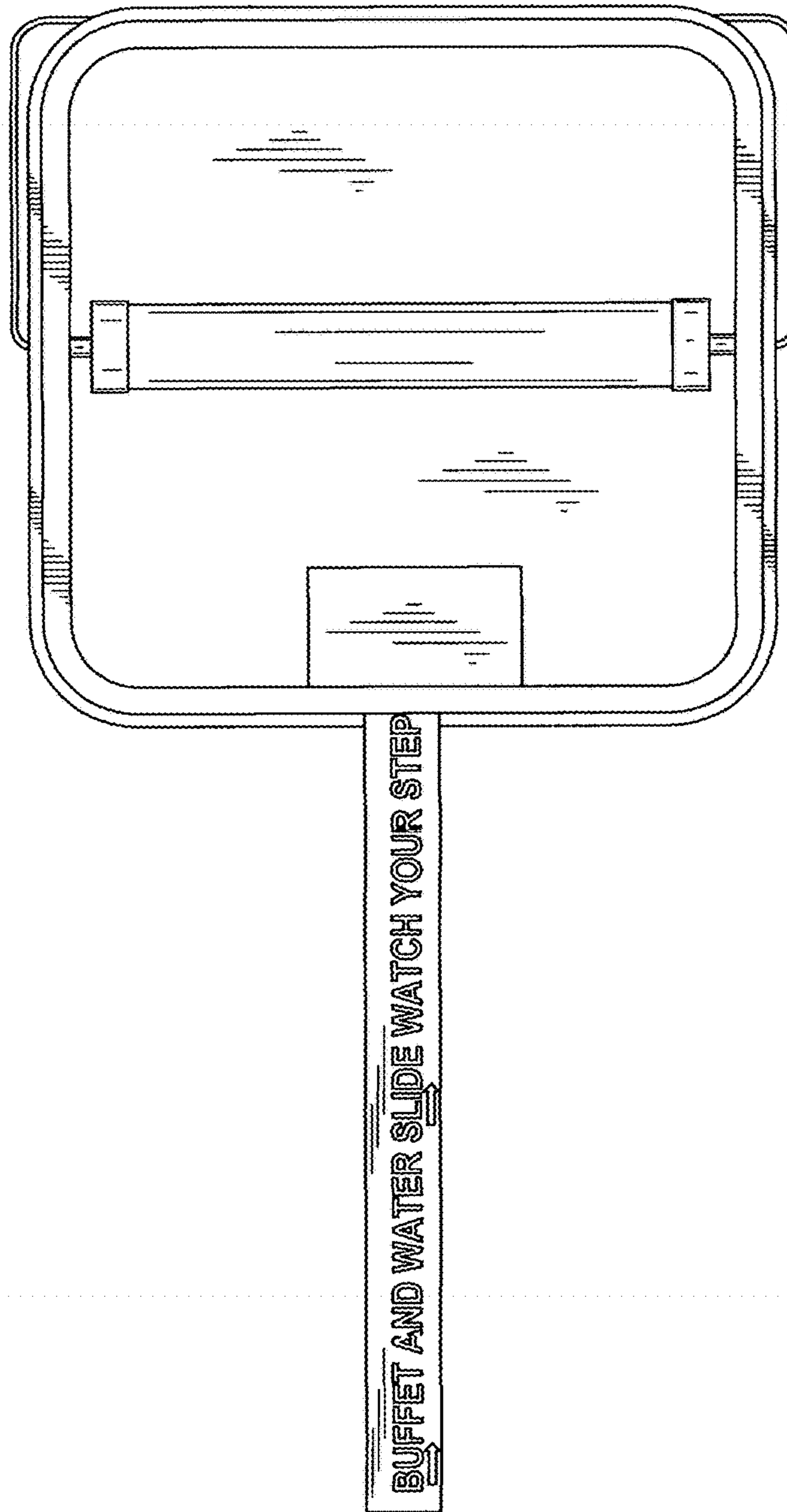


FIG. 6

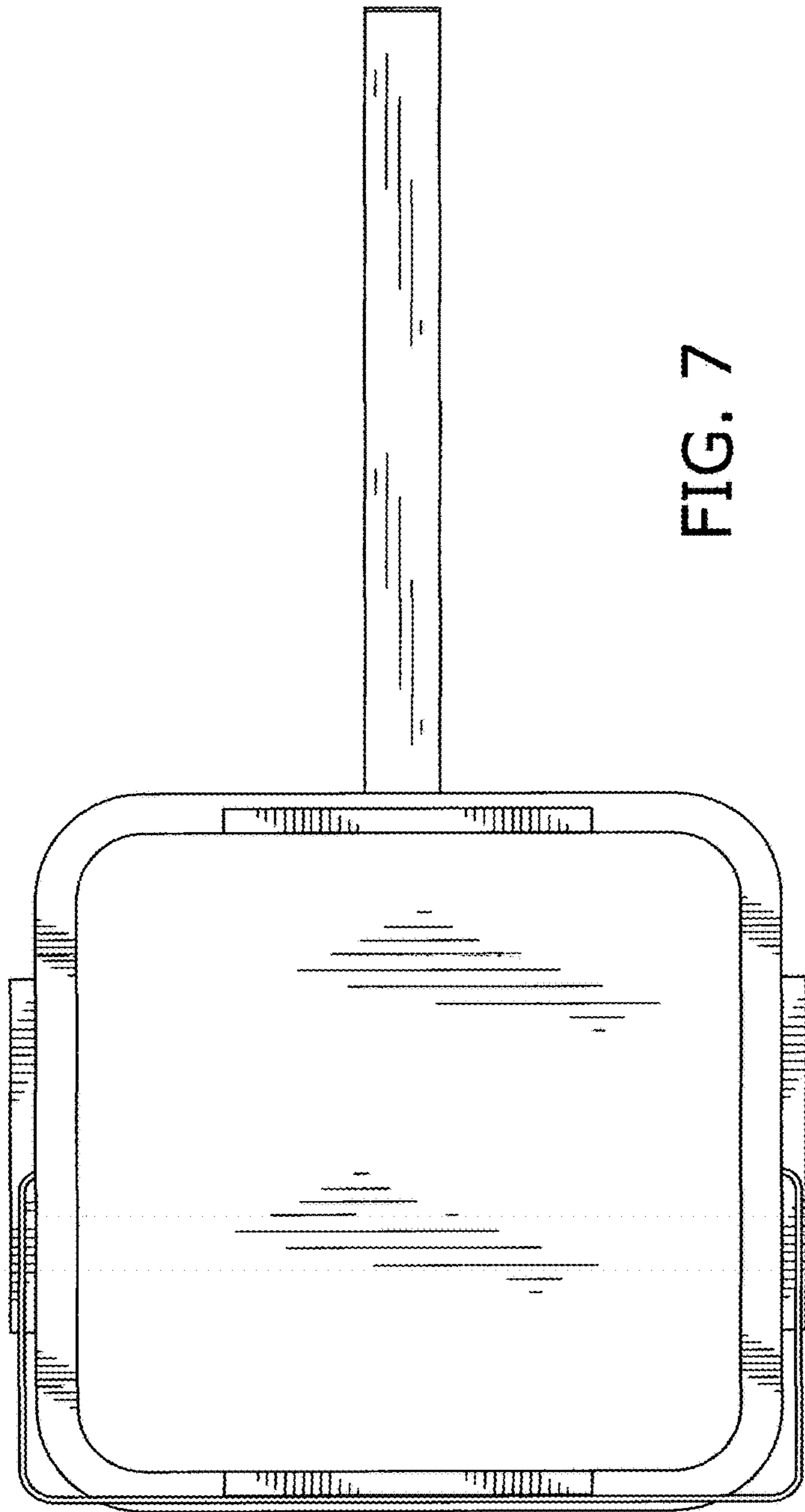


FIG. 7

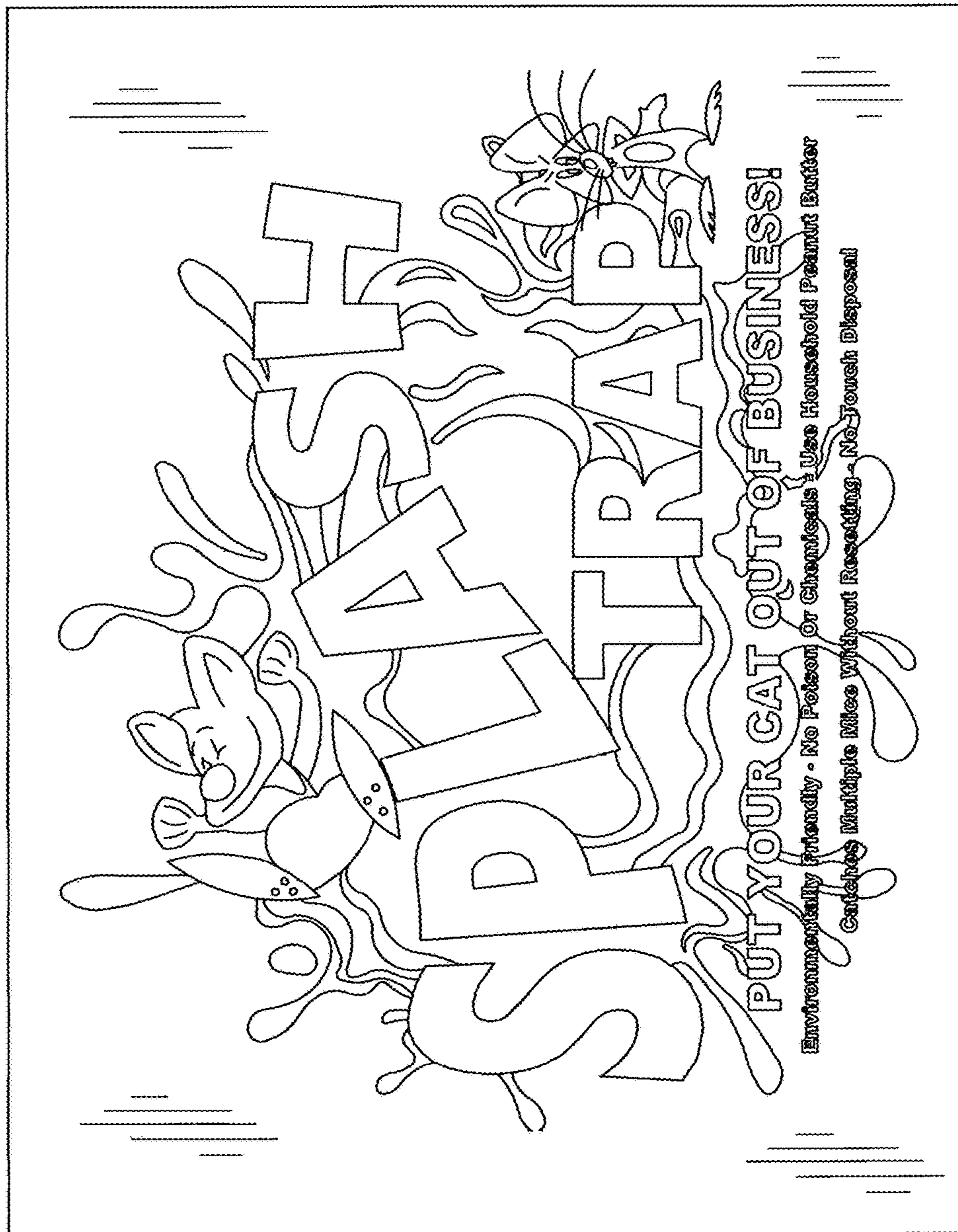


FIG. 8