



US00D842421S

(12) **United States Design Patent**
Zook et al.

(10) **Patent No.:** **US D842,421 S**
(45) **Date of Patent:** **** Mar. 5, 2019**

(54) **RIFLE FLOTATION DEVICE**

- (71) Applicant: **Green Dragon Ventures**, Carlsbad, CA (US)
- (72) Inventors: **Kristian Dawn Zook**, Carlsbad, CA (US); **David Phillip Ondash**, Carlsbad, CA (US)
- (73) Assignee: **GREEN DRAGON VENTURES**, Carlsbad, CA (US)
- (**) Term: **15 Years**
- (21) Appl. No.: **29/653,263**
- (22) Filed: **Jun. 13, 2018**

Related U.S. Application Data

- (62) Division of application No. 29/587,874, filed on Dec. 15, 2016, now Pat. No. Des. 821,532.
- (51) **LOC (11) Cl.** **22-01**
- (52) **U.S. Cl.**
USPC **D22/108**
- (58) **Field of Classification Search**
USPC D22/108, 109, 110, 111; D21/769-770, D21/801, 803, 809; 114/253, 345-346; 441/35, 66, 74, 40-42, 129-132, 80; 472/128-129; D6/601, 392, 595, 596, D6/604, 605; D12/5, 6, 316; 5/630, 632, 5/633, 636-645, 648, 652-655, 655.3, 5/655.7, 655.9; D24/183, 190; D30/118
CPC F41C 27/00; B63B 22/00; B63B 35/76; B63B 35/74; B63C 9/08; B63H 16/04; A61H 37/005; A47C 7/383; A47G 9/10;
(Continued)

(56) **References Cited**

U.S. PATENT DOCUMENTS

- D349,744 S * 8/1994 Wolfe D12/316
 - D350,326 S * 9/1994 Griffin D12/316
- (Continued)

OTHER PUBLICATIONS

TUFD (Tactical Universal Floatation Device), SpecialForces.com, [online], [site visited Nov. 15, 2018]. <URL: https://www.specialforces.com/ufd-universal-floatation-device> (Year: 2018).*

Primary Examiner — T Chase Nelson
Assistant Examiner — Jonathan J. Han

(74) *Attorney, Agent, or Firm* — Manuel de la Cerra

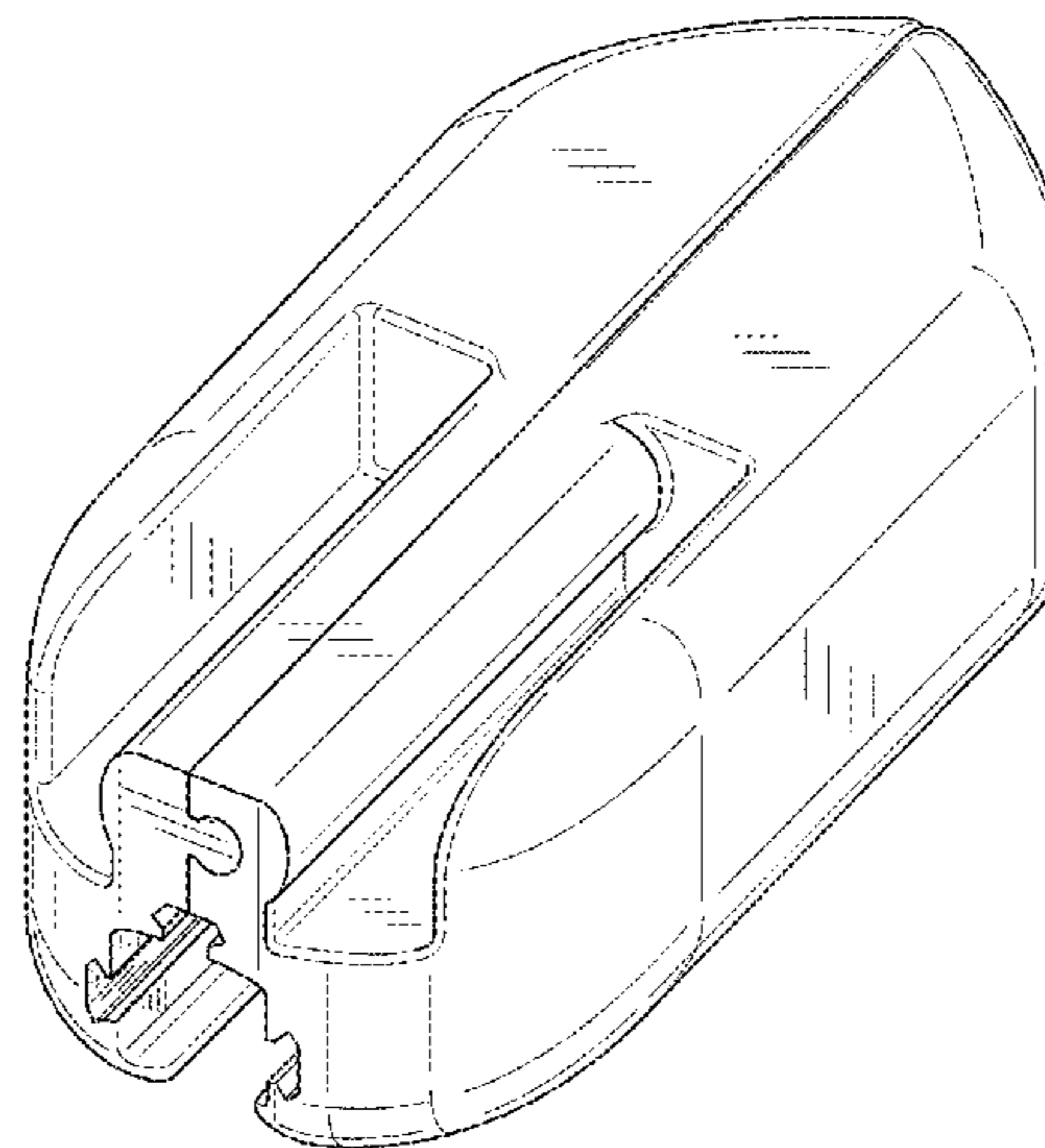
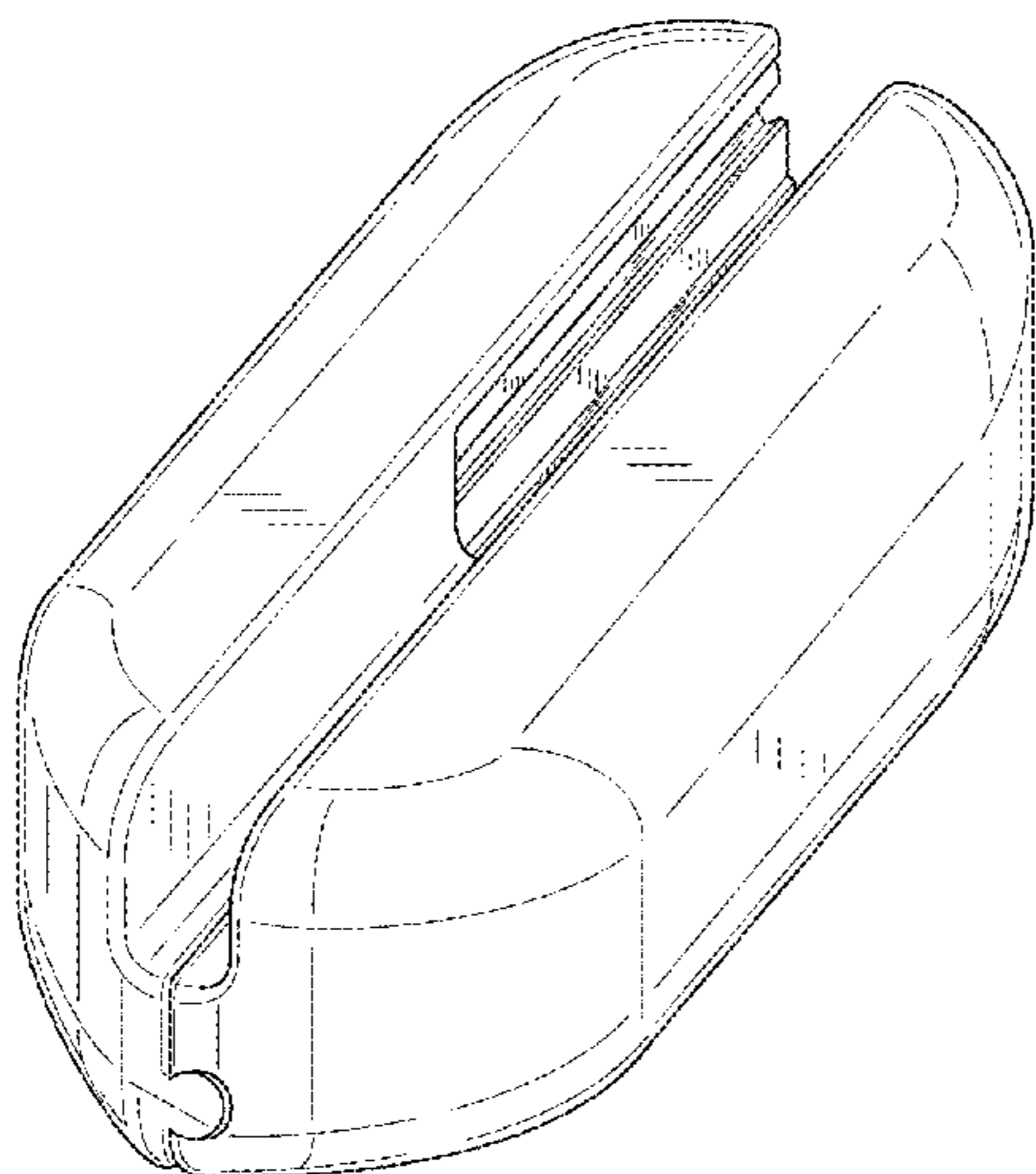
(57) **CLAIM**

The ornamental design for a rifle flotation device, as shown and described.

DESCRIPTION

FIG. 1 is a top front perspective view of a rifle flotation device.
 FIG. 2 is a bottom rear perspective view thereof.
 FIG. 3 is a front view thereof.
 FIG. 4 is rear view thereof.
 FIG. 5 is a top view thereof.
 FIG. 6 is a bottom view thereof.
 FIG. 7 is a right-side view thereof.
 FIG. 8 is a left-side view thereof.
 FIG. 9 is a top front perspective exploded view thereof.
 FIG. 11 is a front exploded view thereof.
 FIG. 12 is a rear exploded view thereof.
 FIG. 13 is a top exploded view thereof.
 FIG. 14 is a bottom exploded view thereof.
 FIG. 15 is a right-side exploded view thereof.
 FIG. 16 is a left-side exploded view thereof.
 FIG. 17 is a right-side view of a portion of the rifle flotation device mounted to a rifle; and,
 FIG. 18 is a top front perspective view of both portions of the rifle flotation device mounted to a rifle.
 The broken lines used to show the rifle in FIGS. 17 and 18 illustrate unclaimed environment and forms no part of the claimed design.

1 Claim, 11 Drawing Sheets



- (58) **Field of Classification Search**
 CPC .. A47G 9/1054; A47G 9/1081; A47G 9/1072;
 A61G 2200/325; A61G 13/121
 See application file for complete search history.

(56) **References Cited**

U.S. PATENT DOCUMENTS

5,355,825 A * 10/1994 Lefebvre B63B 35/34
 114/263
 D423,096 S * 4/2000 Kwok D24/110.1
 D624,344 S * 9/2010 Kashey D6/601
 7,927,162 B1 * 4/2011 Doubleday B63C 9/20
 441/116
 D651,155 S * 12/2011 Almestad D12/317
 D664,799 S * 8/2012 Schwingendorf D6/601
 D679,770 S * 4/2013 Berenson D21/803
 D710,568 S * 8/2014 Fox D1/199
 D718,074 S * 11/2014 Savolainen D6/601
 D722,667 S * 2/2015 Hsu D21/803
 D723,446 S * 3/2015 Wemesfelder D12/316
 D732,312 S * 6/2015 Tiffin D6/601
 D732,314 S * 6/2015 Fux D6/601
 D755,306 S * 5/2016 Lee D21/428
 D755,543 S * 5/2016 Upadhyay D6/601
 D769,029 S * 10/2016 Okwumabua D6/601
 D778,079 S * 2/2017 Porter D6/354

D778,361 S * 2/2017 Piffaretti D20/35
 D780,484 S * 3/2017 Goddard D6/601
 D787,233 S * 5/2017 Wang D6/601
 9,648,959 B2 * 5/2017 Frydman A47C 20/021
 D789,867 S * 6/2017 Walpurgis D12/308
 D791,508 S * 7/2017 Chen D6/601
 D791,510 S * 7/2017 Renna D6/601
 D794,535 S * 8/2017 Chen D12/215
 9,738,352 B1 * 8/2017 Zook B63B 22/00
 D800,395 S * 10/2017 Olley D30/118
 D806,351 S * 1/2018 Belt D1/199
 9,862,462 B1 * 1/2018 Zook, Jr. F41C 27/00
 D821,532 S * 6/2018 Zook D22/108
 D833,162 S * 11/2018 Schnermann D6/361
 2003/0079291 A1 * 5/2003 Graham A47C 20/026
 5/630
 2013/0059493 A1 * 3/2013 Downing, Jr. B63C 9/08
 441/80
 2014/0310877 A1 * 10/2014 Sternlight A47G 9/10
 5/639
 2015/0343267 A1 * 12/2015 Kacar A63B 31/00
 441/129
 2016/0296030 A1 * 10/2016 Frydman A47C 20/021
 2017/0251813 A1 * 9/2017 Komsky A47C 7/383
 2018/0042409 A1 * 2/2018 Johnson A61G 13/00
 2018/0063612 A1 * 3/2018 Fuchs H04R 5/023
 2018/0172397 A1 * 6/2018 Zook F41G 11/003

* cited by examiner

FIG. 1

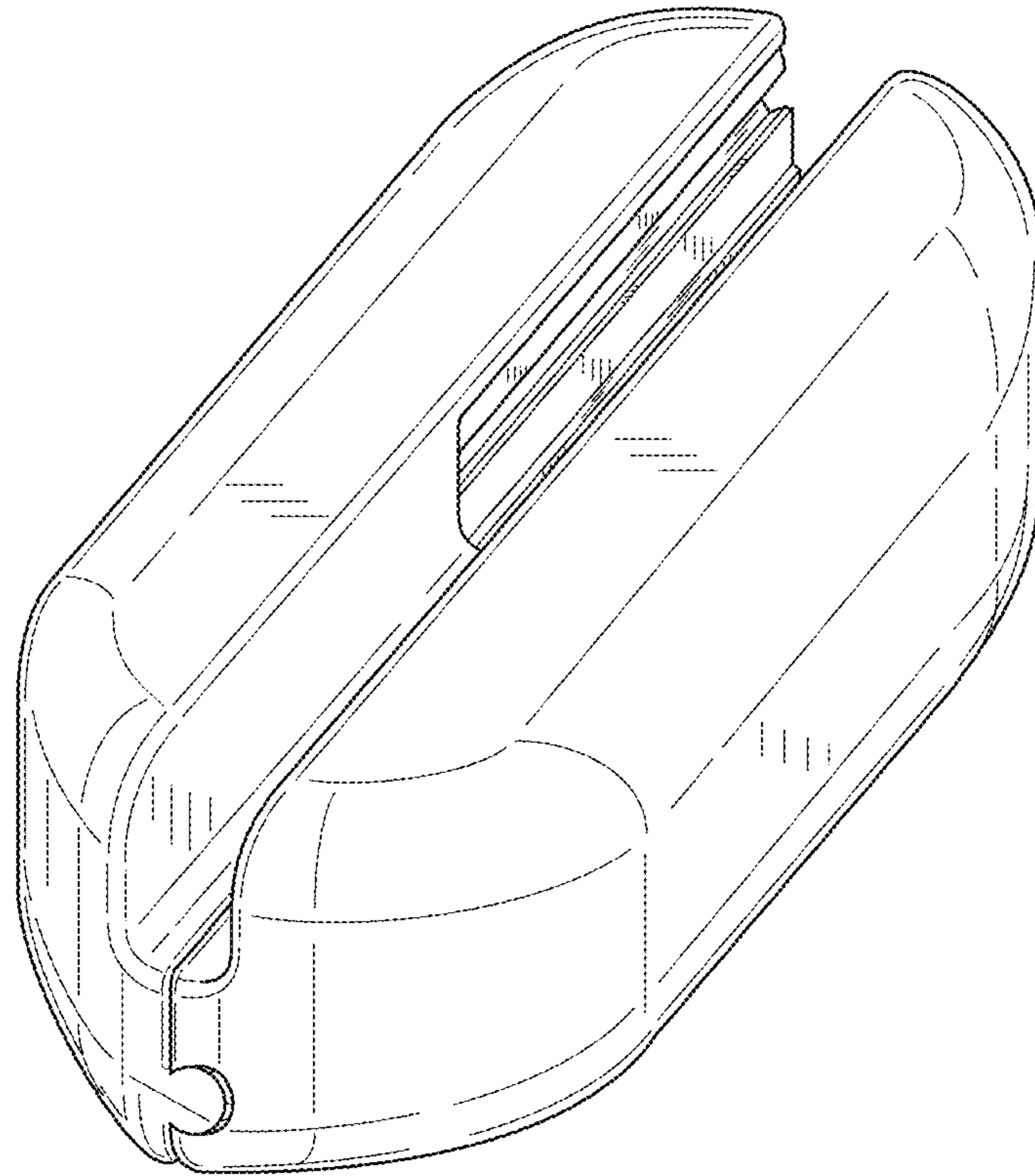
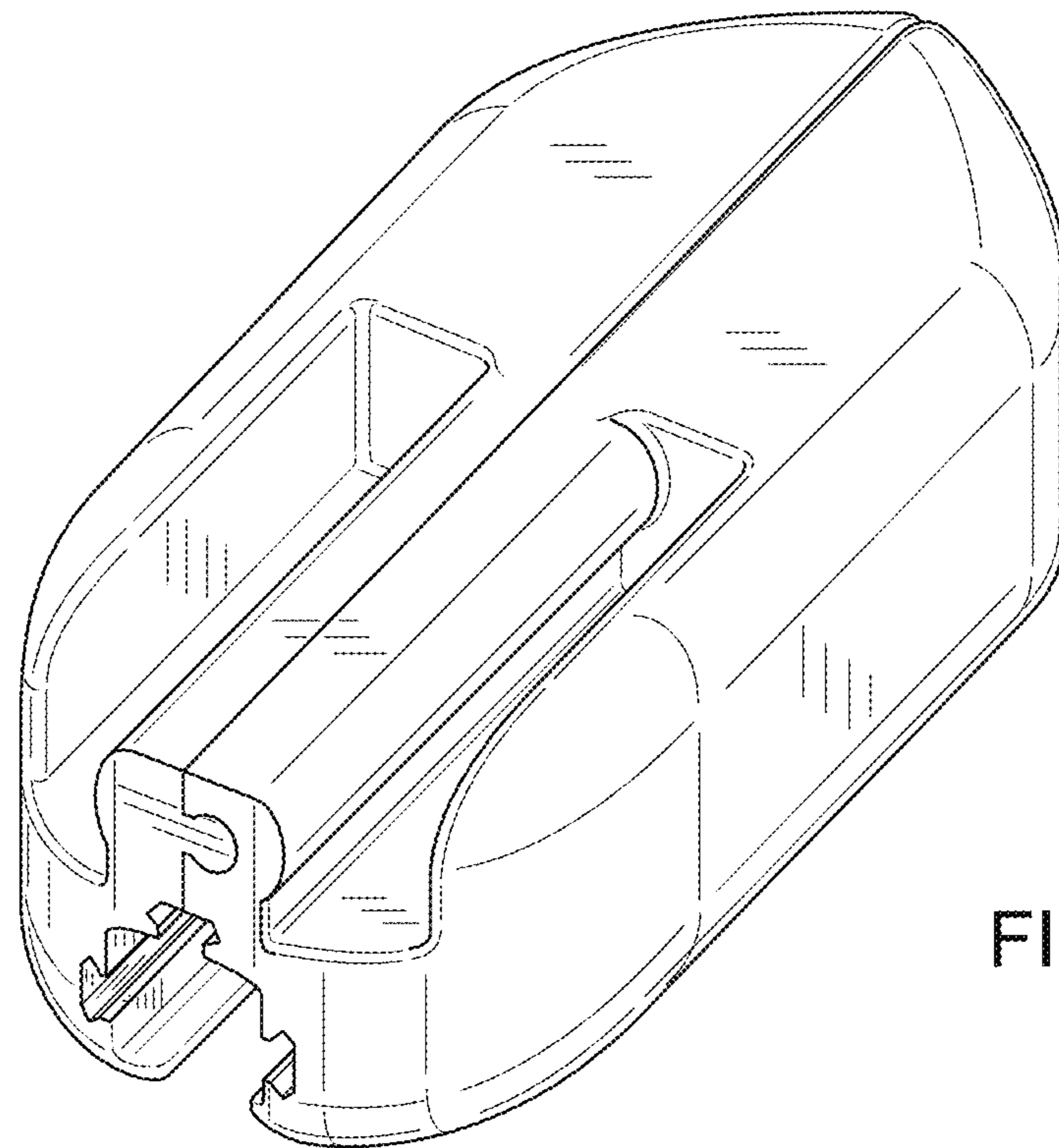


FIG. 2



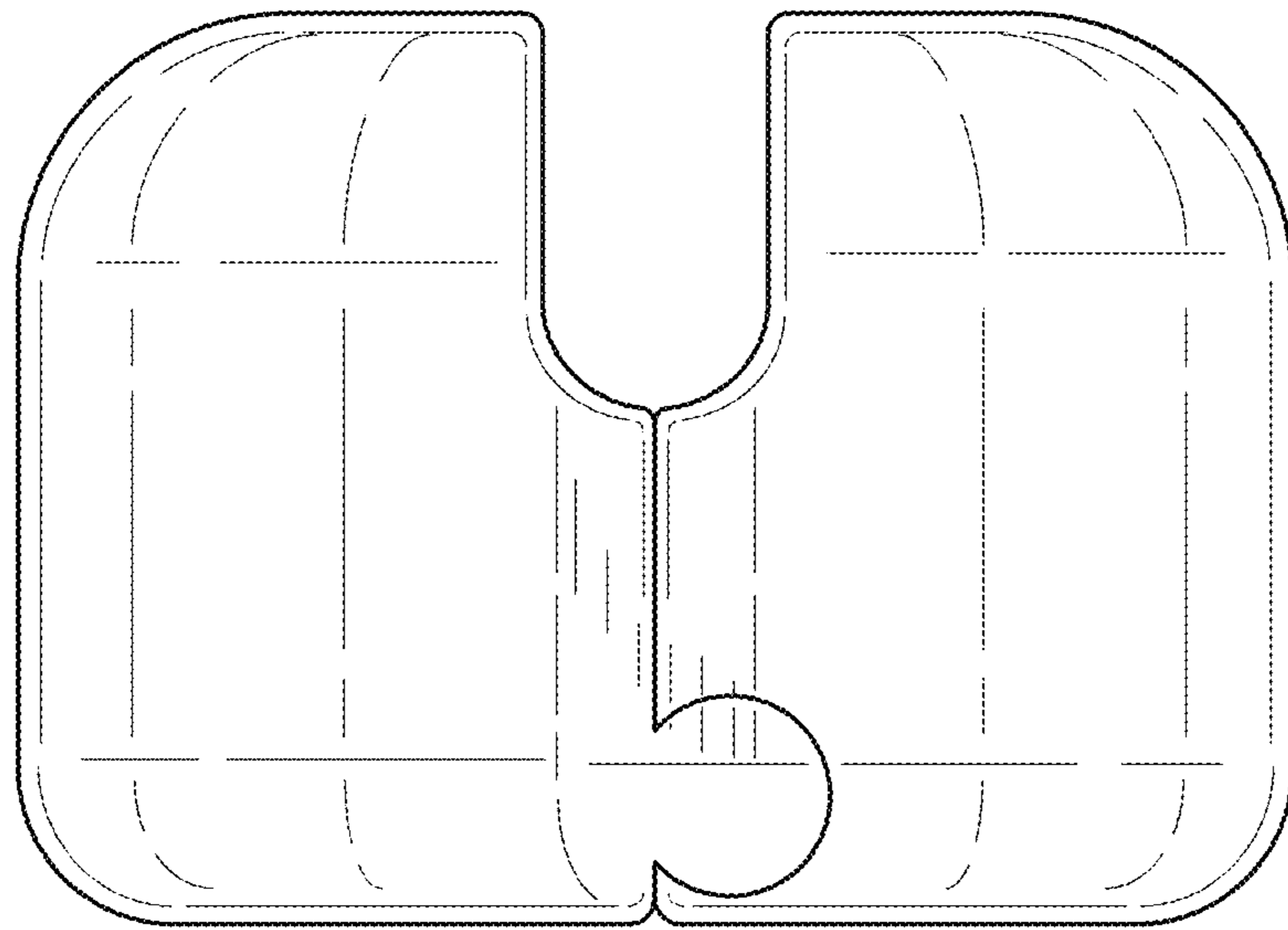


FIG. 3

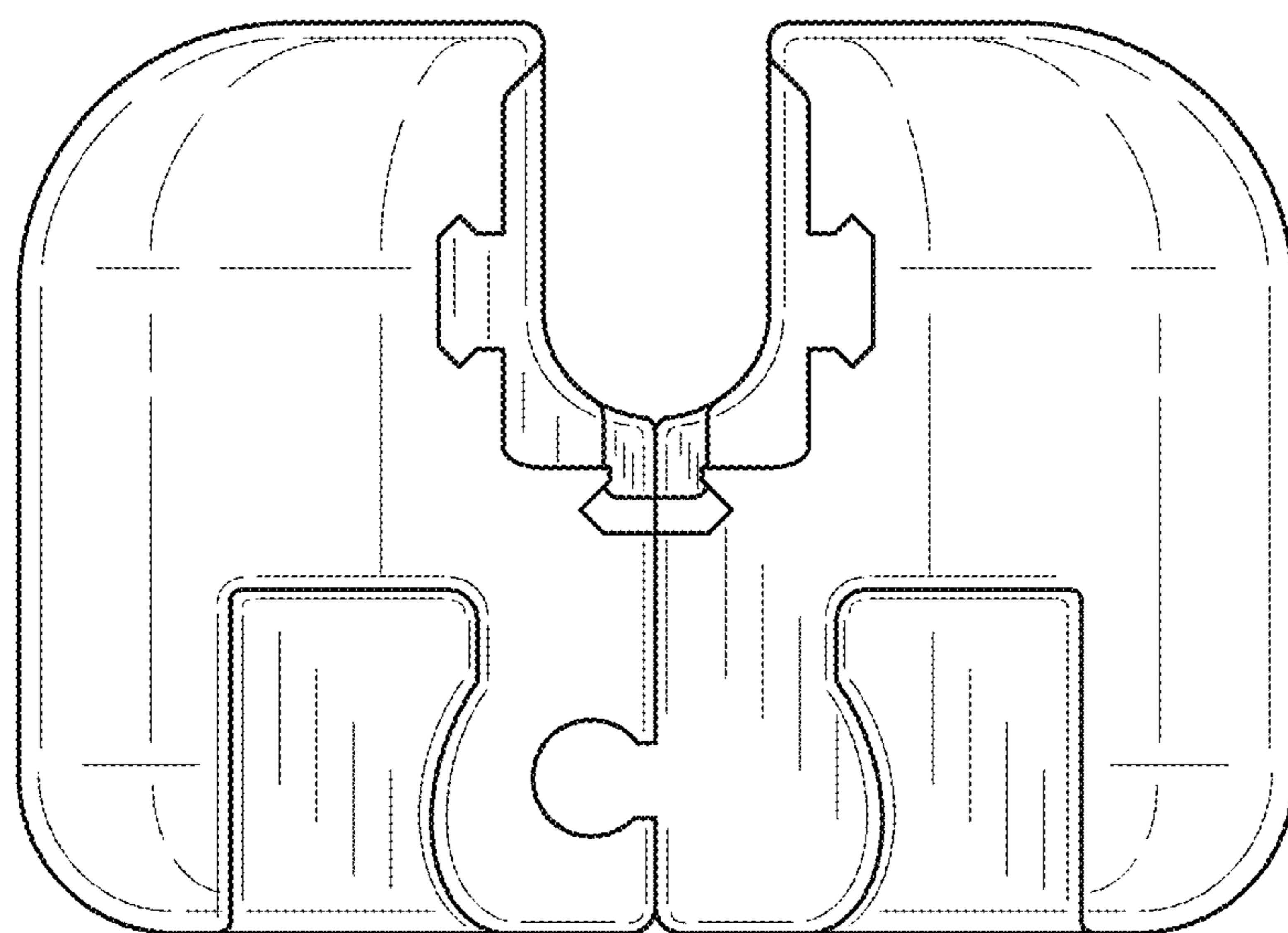


FIG. 4

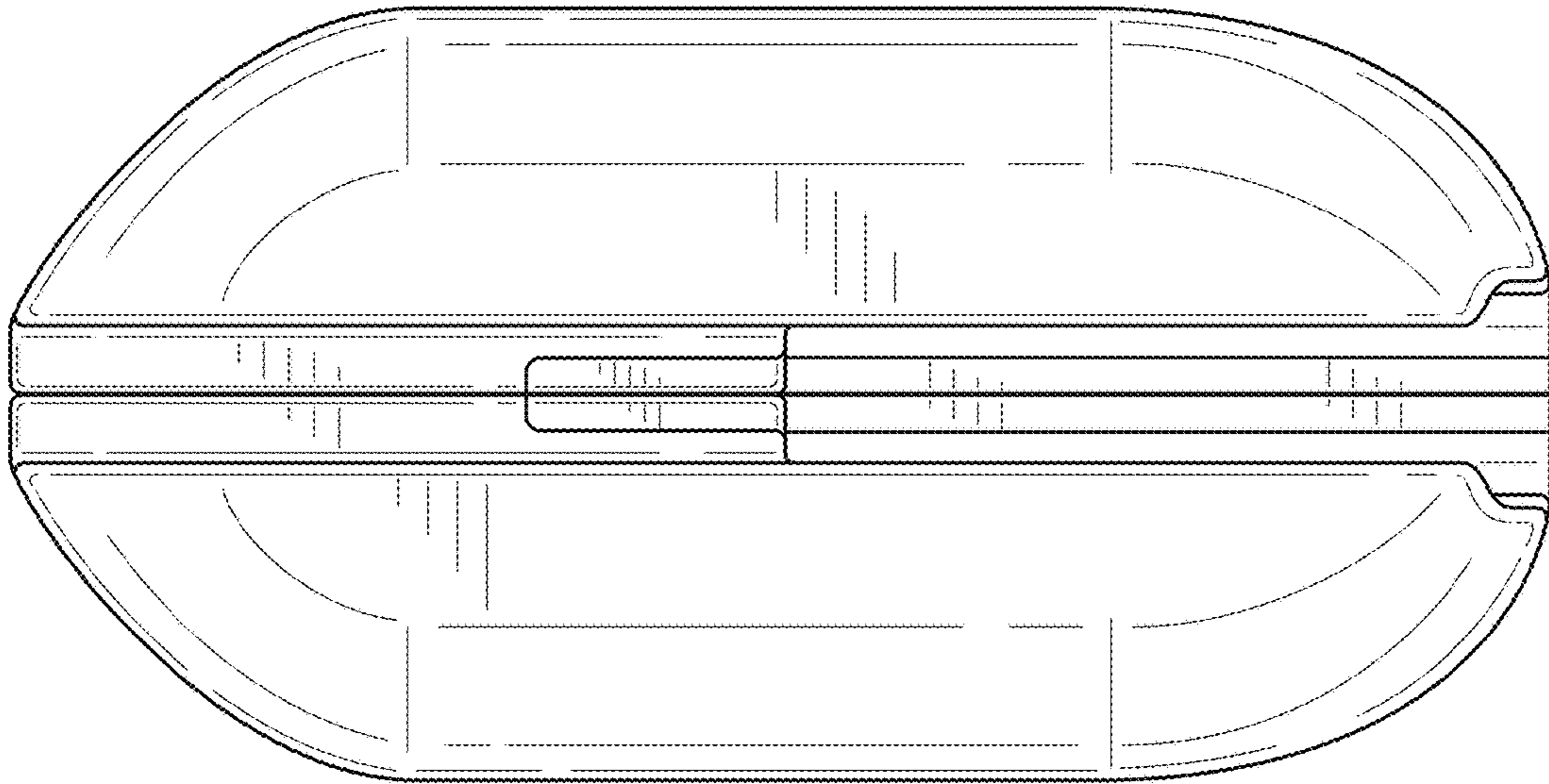


FIG. 5

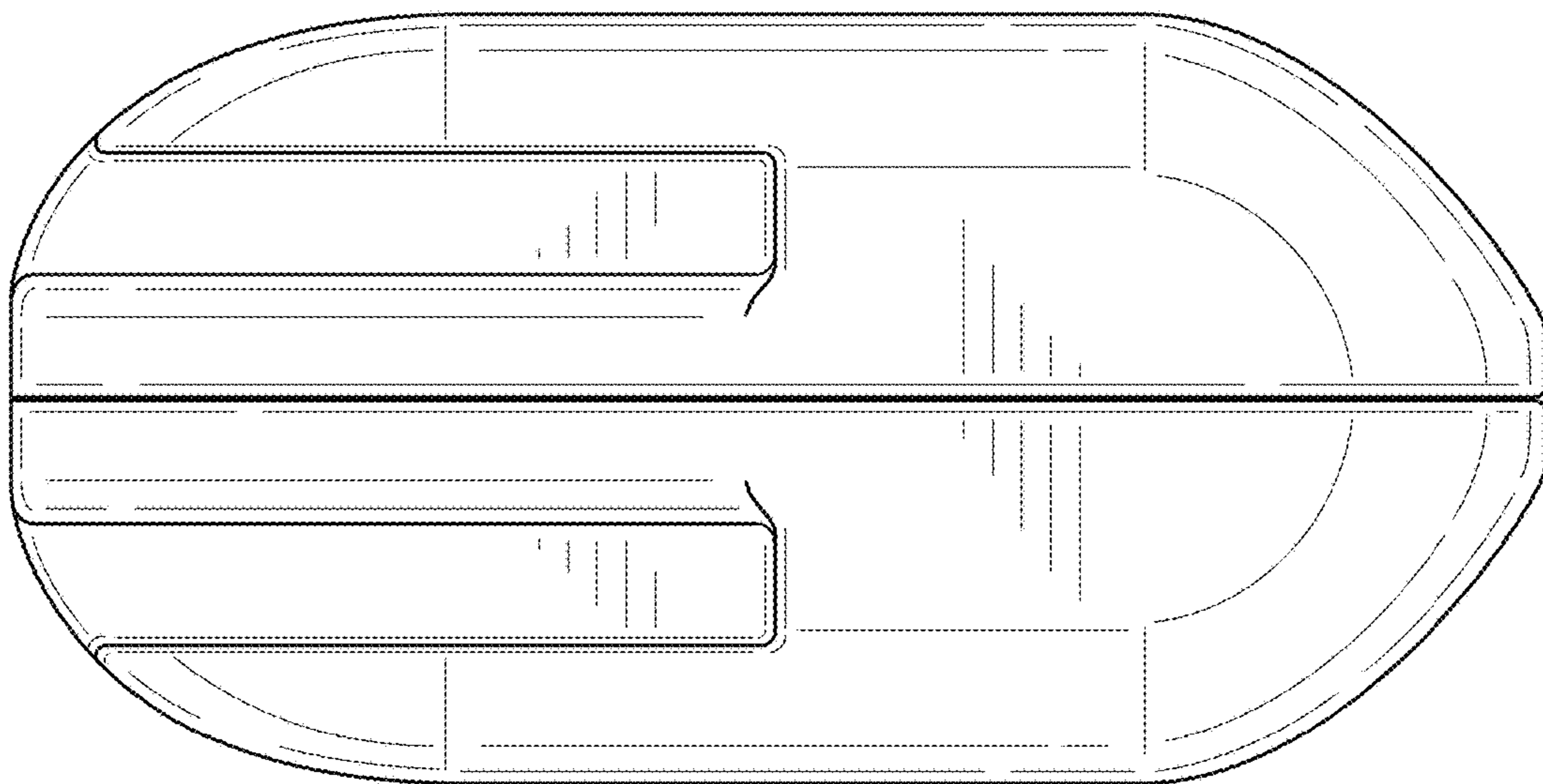


FIG. 6

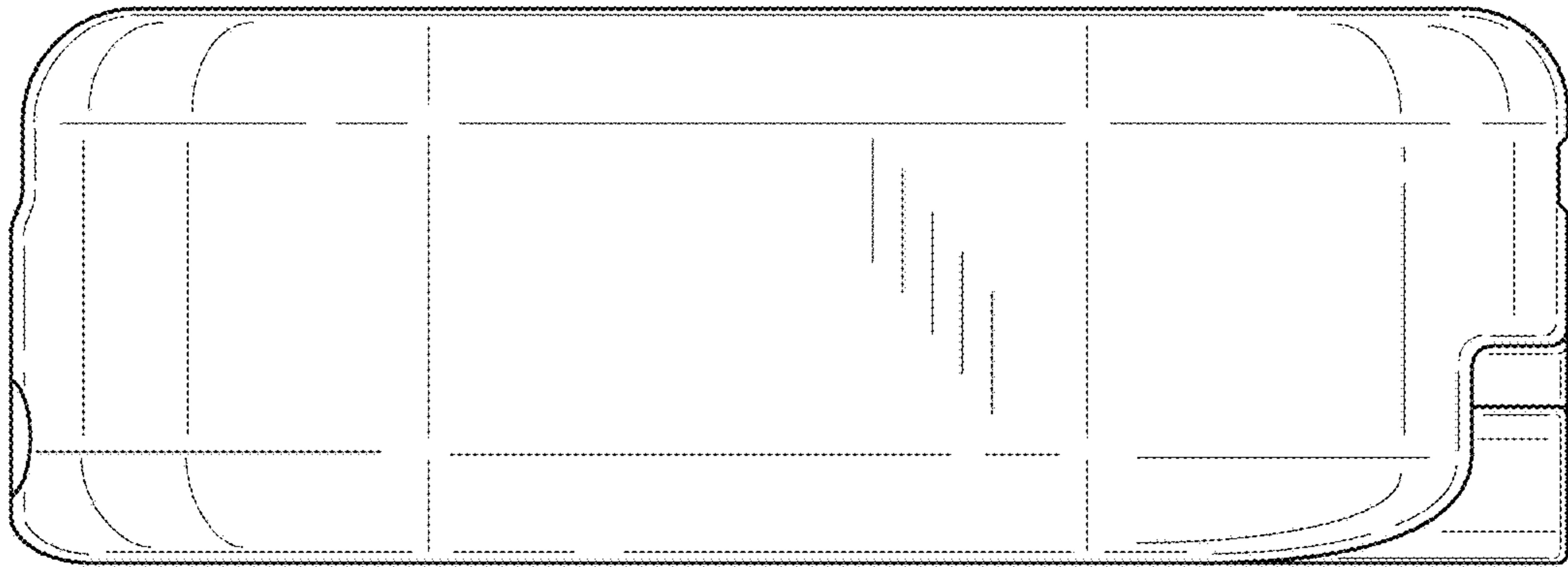


FIG. 7

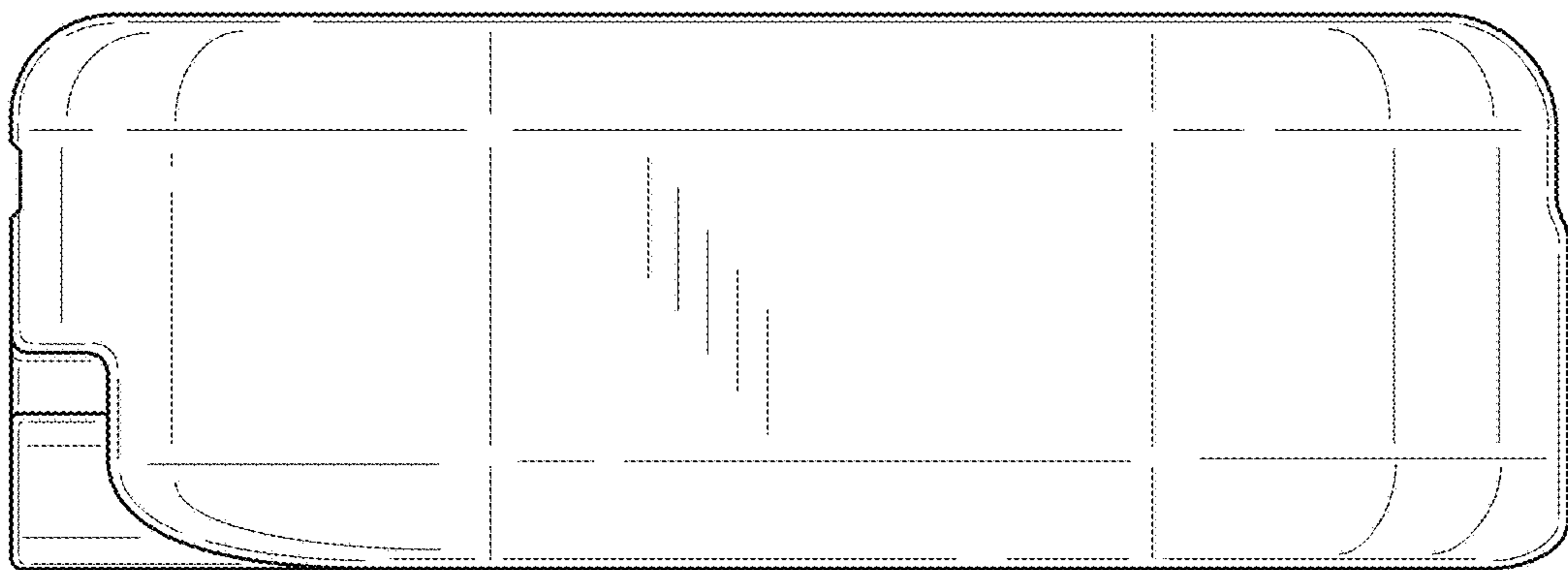


FIG. 8

FIG. 9

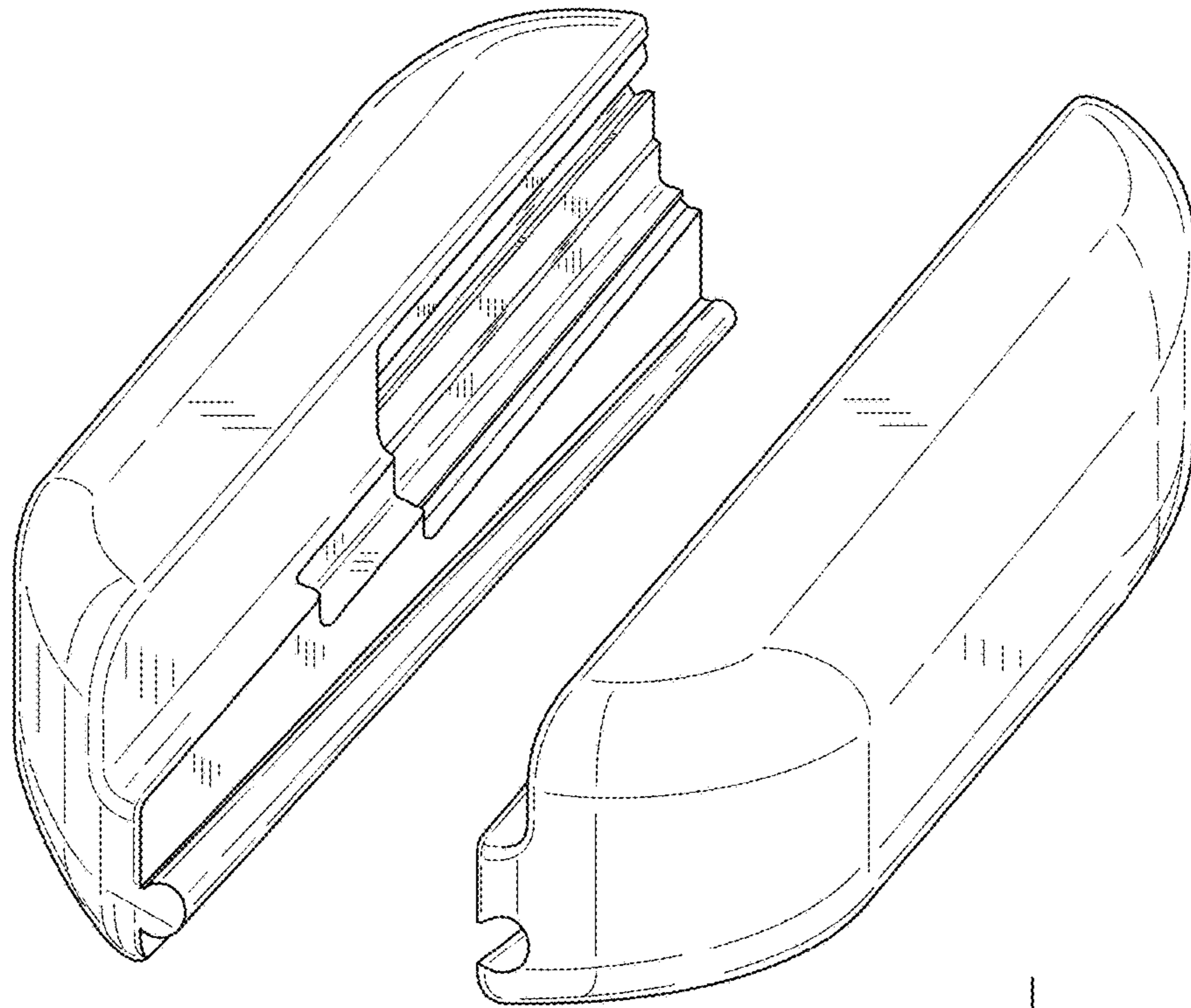
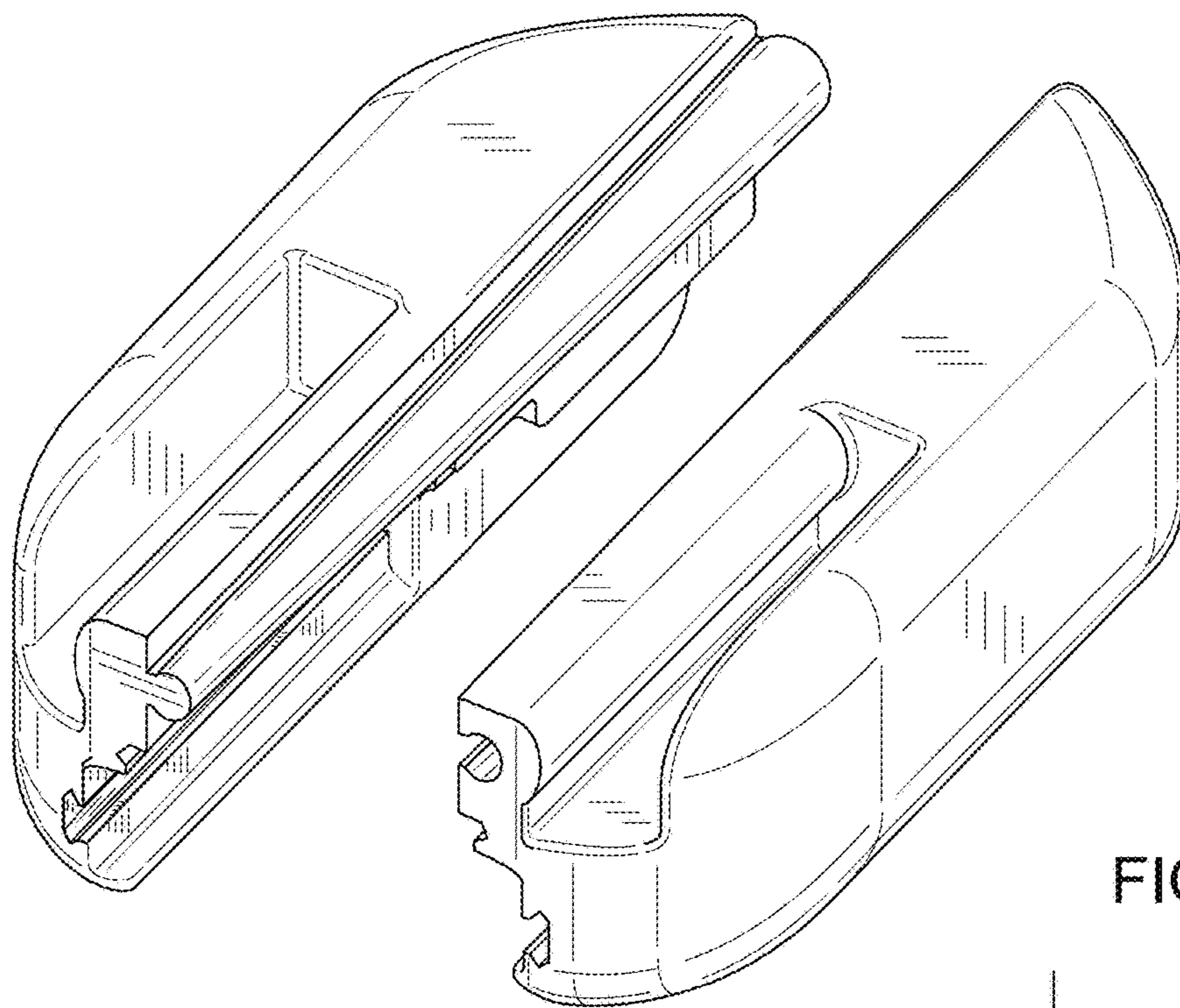


FIG. 10



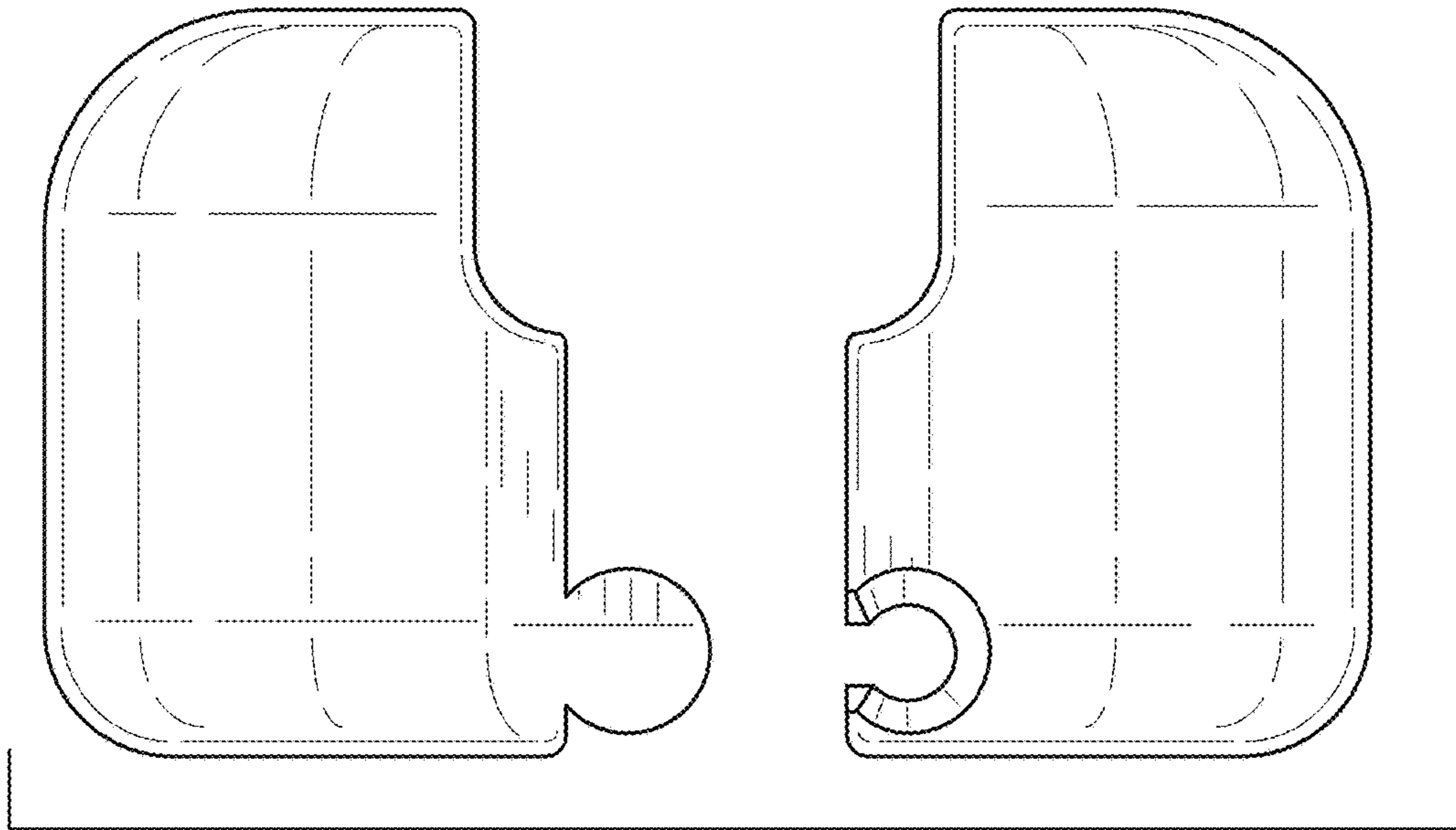


FIG. 11

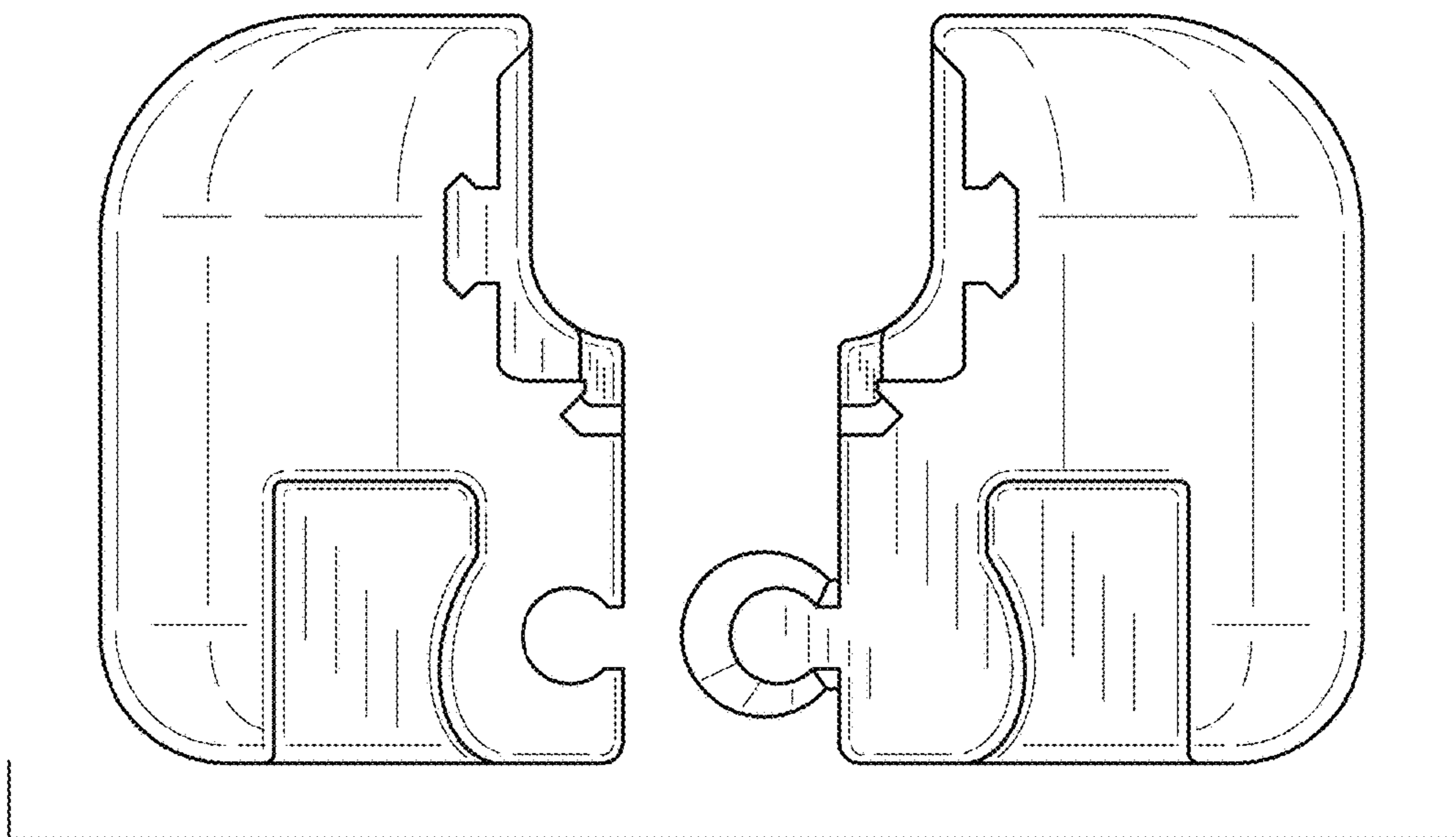


FIG. 12

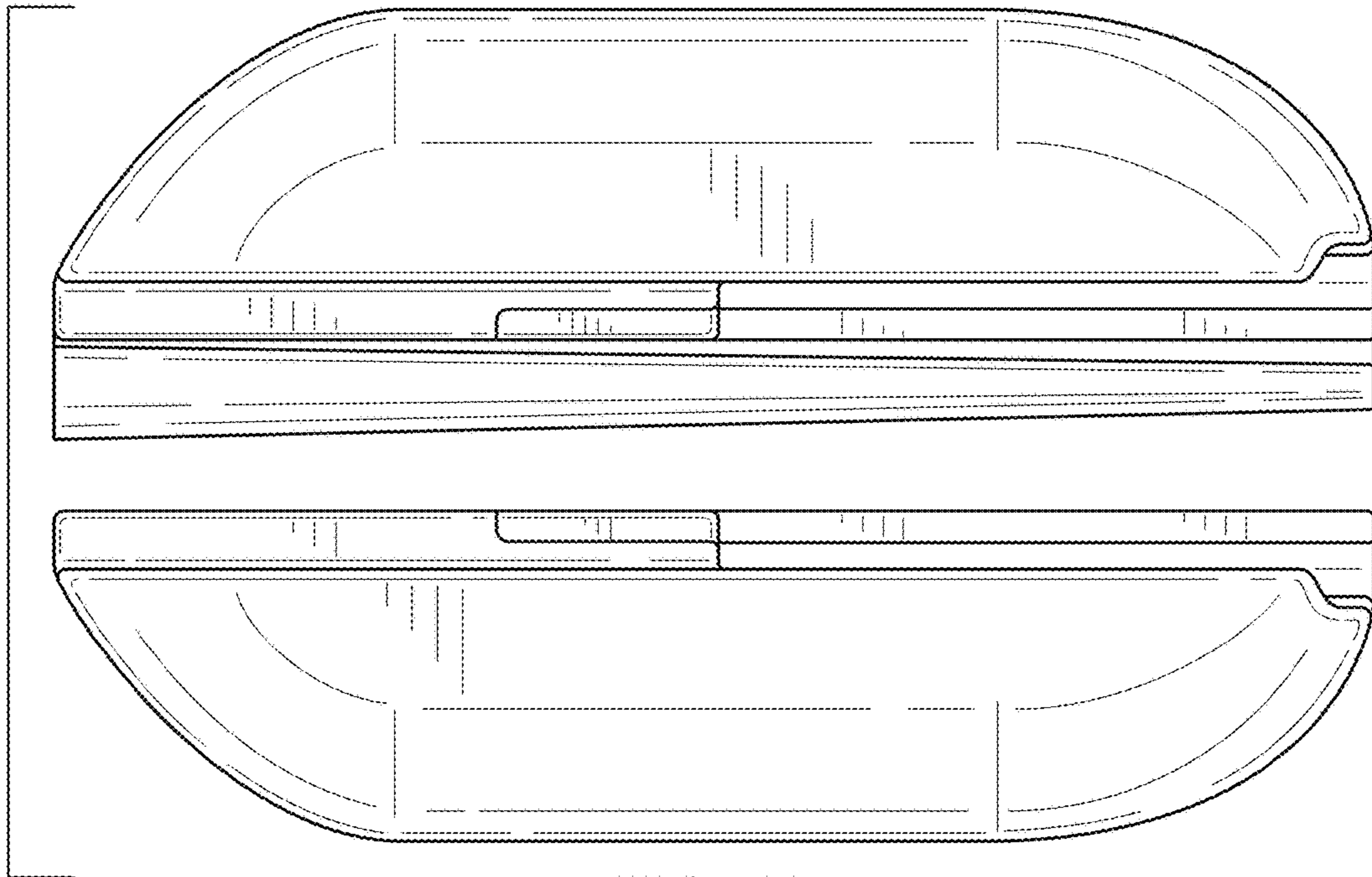


FIG. 13

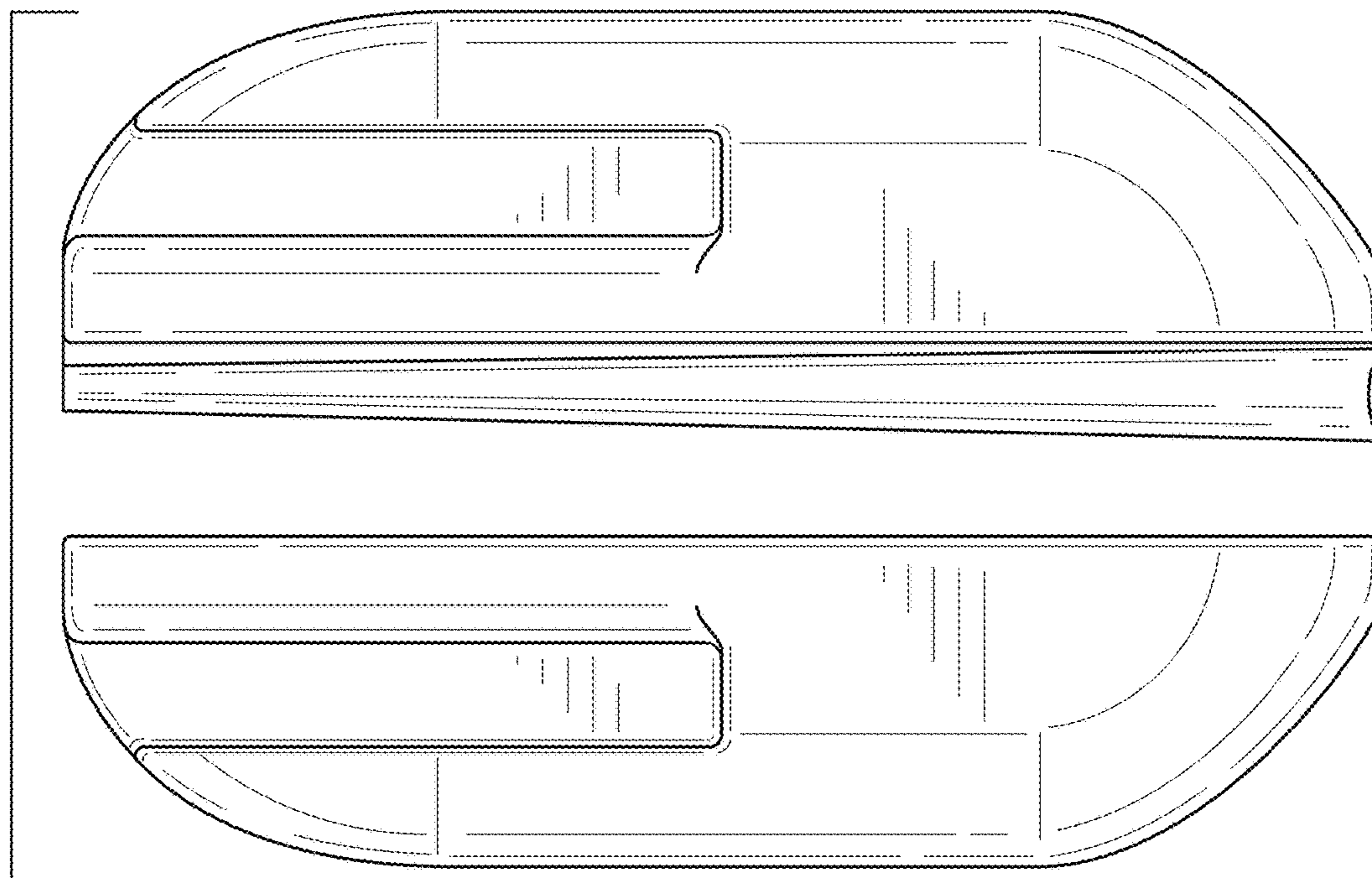


FIG. 14

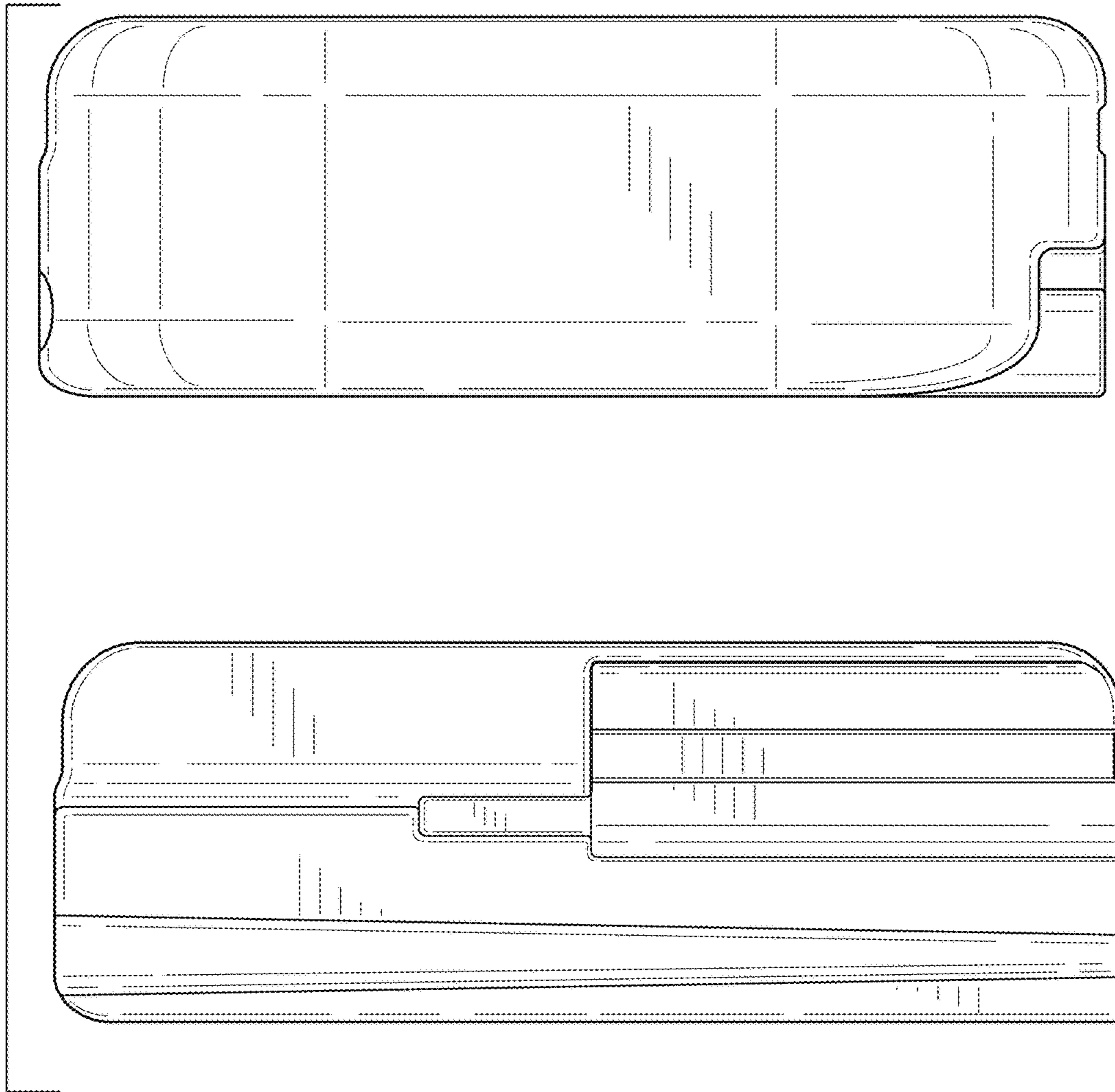


FIG. 15

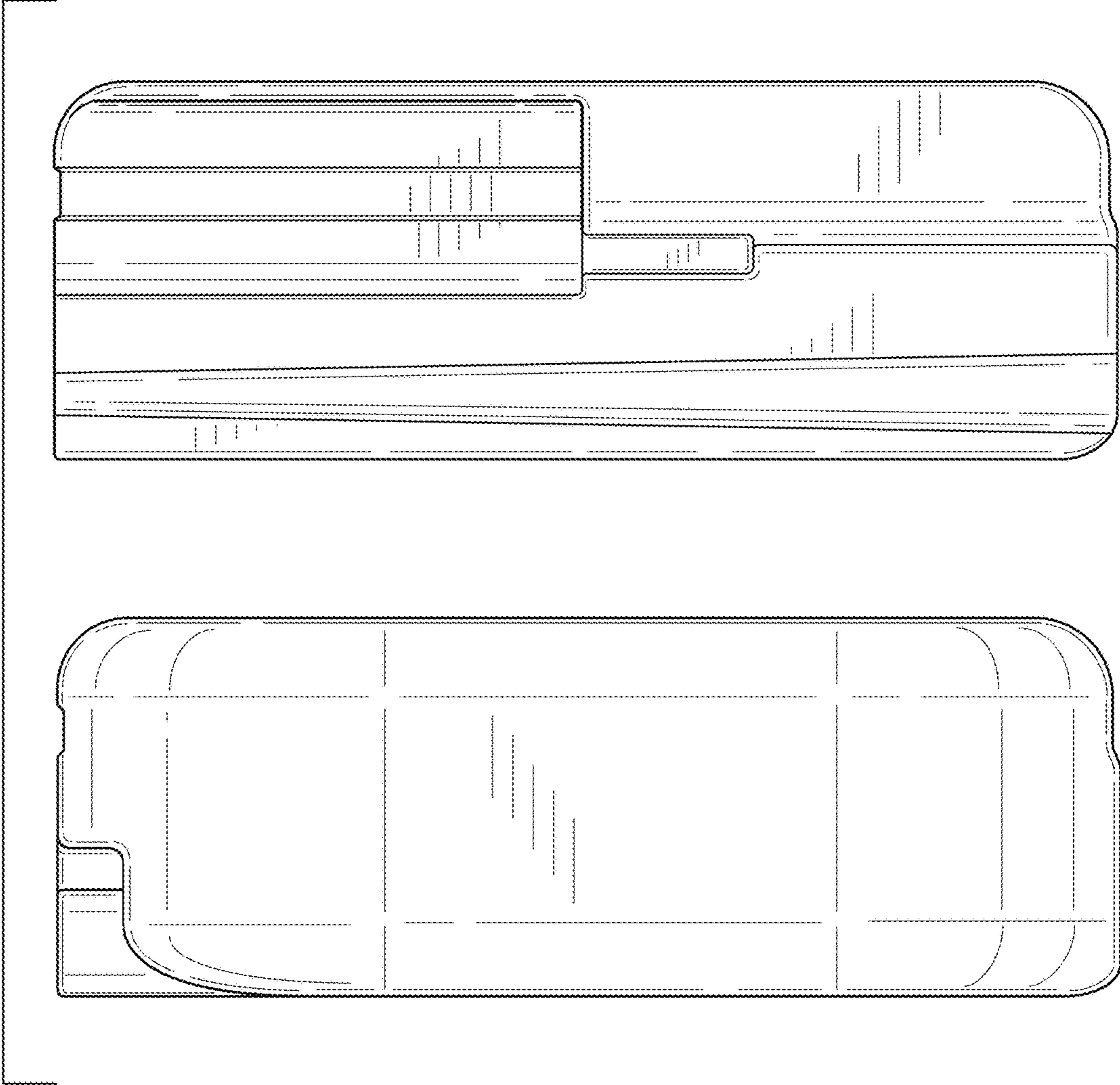


FIG. 16

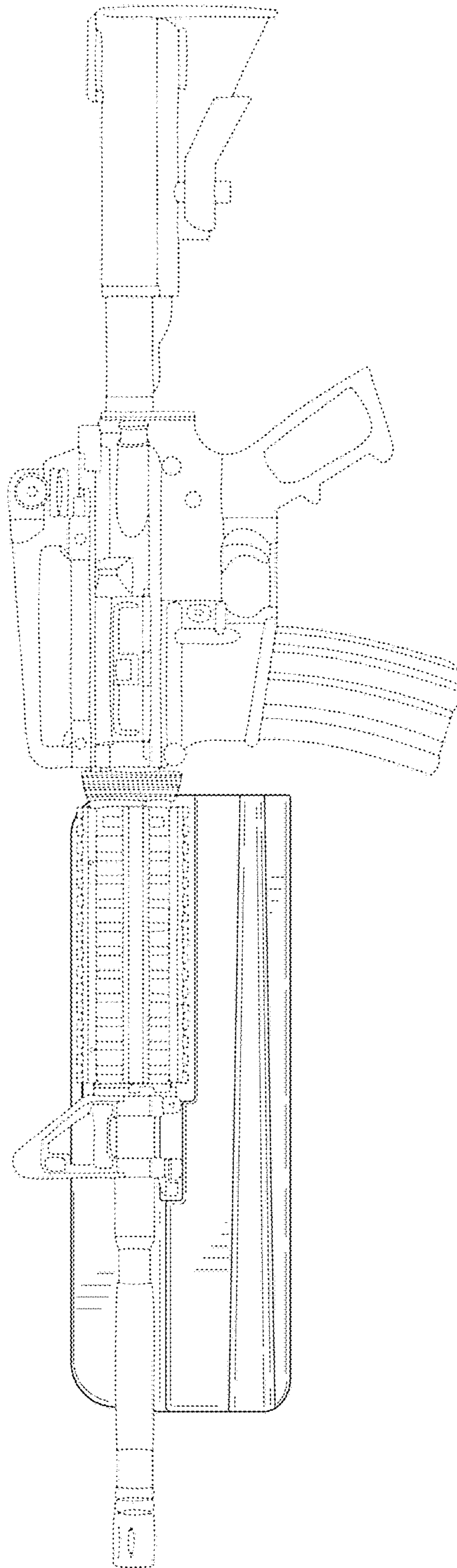


FIG. 17

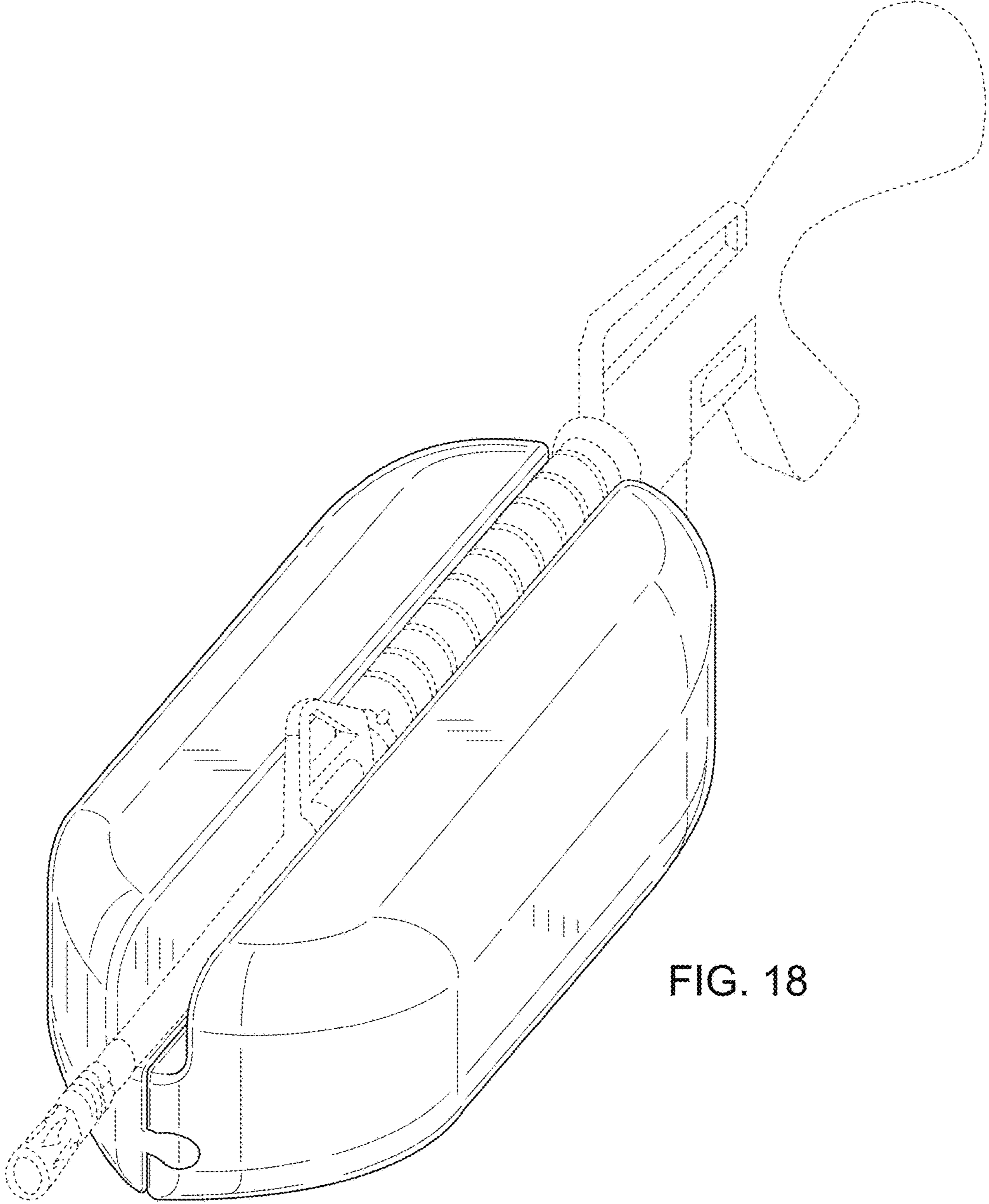


FIG. 18