



US00D842419S

(12) **United States Design Patent** (10) **Patent No.:** **US D842,419 S**
Edminster et al. (45) **Date of Patent:** **** Mar. 5, 2019**

(54) **GUN SUPPRESSOR**
(71) Applicant: **Energetic Armament, LLC**,
Mattapoisett, MA (US)
(72) Inventors: **Karl R. Edminster**, Fairhaven, MA
(US); **Stephen A. Piche**, Raynham, MA
(US)
(73) Assignee: **Energetic Armament, LLC**,
Mattapoisett, MA (US)

(**) Term: **15 Years**

(21) Appl. No.: **29/613,294**

(22) Filed: **Aug. 9, 2017**

(51) **LOC (11) Cl.** **22-01**

(52) **U.S. Cl.**
USPC **D22/108**

(58) **Field of Classification Search**
USPC D22/100-104, 105, 107, 108, 109, 110,
D22/199; D21/567-575; D25/119-125;
42/51, 71.01, 75.01, 75.02, 90, 94, 134,
42/136, 139, 125, 72, 111; 89/40.06,
89/41.19, 37.04, 33.04, 191.01, 200-204;
D23/266; 124/66, 67, 72, 74; 362/110
CPC F41A 21/30; F41A 13/00; F41A 35/04;
F41C 23/16
See application file for complete search history.

(56) **References Cited**

U.S. PATENT DOCUMENTS

4,813,333 A 3/1989 Garris et al.
5,305,677 A 4/1994 Kleinguenther et al.
RE35,381 E 11/1996 Rose
5,631,438 A 5/1997 Martel
D384,389 S 9/1997 Cyktich
D425,184 S * 5/2000 Lidgett D23/266
6,425,310 B1 7/2002 Champion
6,516,698 B1 2/2003 Poff, Jr.

6,820,530 B2 11/2004 Vais
D507,619 S * 7/2005 Shiloni F41C 23/16
D22/108
D632,751 S * 2/2011 Bowers D22/108
D641,450 S * 7/2011 Ding D22/108
D642,650 S * 8/2011 Oliver D22/108
D643,087 S * 8/2011 Oliver D22/108
8,156,855 B2 4/2012 Anderson

(Continued)

FOREIGN PATENT DOCUMENTS

DE 10 2011 010 639 A1 9/2012
WO WO 2017/102012 A1 6/2017
WO WO 2017/102132 A1 6/2017

Primary Examiner — Ian Simmons

Assistant Examiner — Yolanda Robinson

(74) *Attorney, Agent, or Firm* — Law Office of Arthur M. Antonelli, PLLC

(57) **CLAIM**

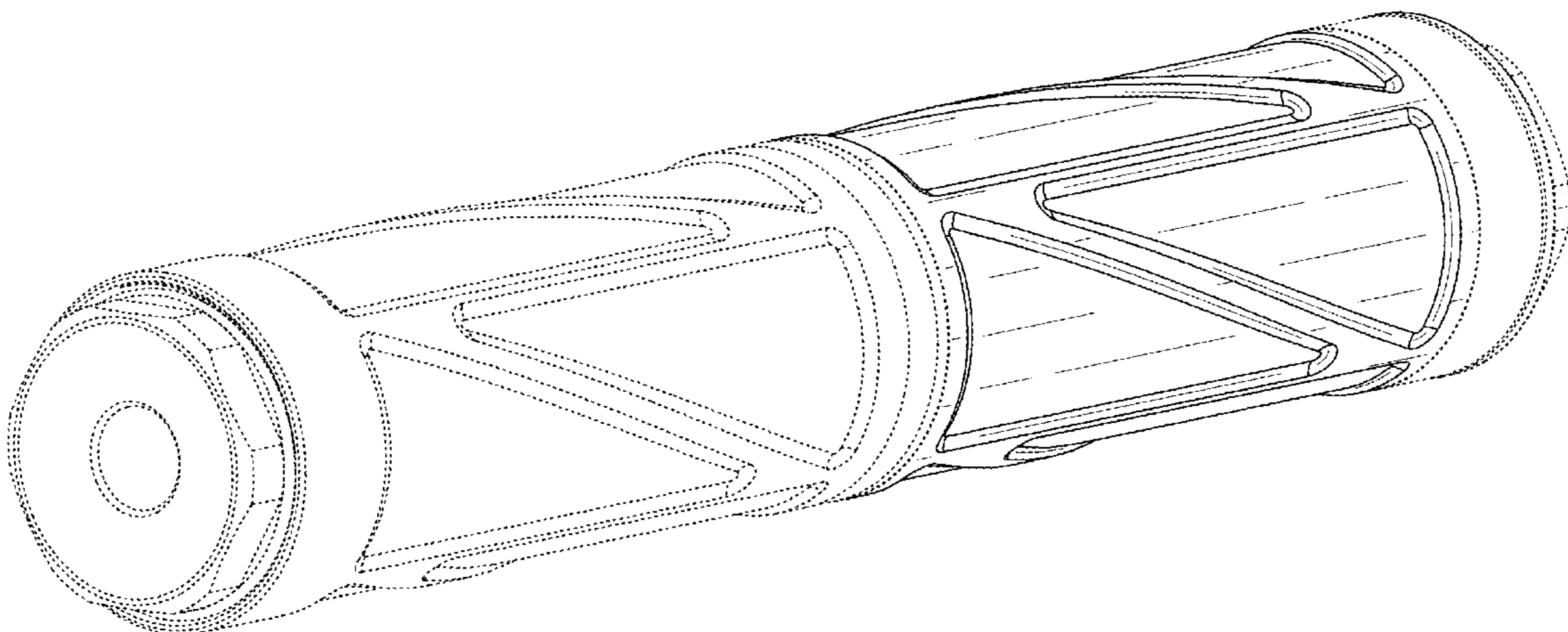
The ornamental design for a gun suppressor, as shown and described.

DESCRIPTION

FIG. 1 is a perspective view of an embodiment of a gun suppressor in accordance with our new design; FIG. 2 is a front view of the gun suppressor of FIG. 1; FIG. 3 is a left side view of the gun suppressor of FIG. 1; FIG. 4 is a right side view of the gun suppressor of FIG. 1; FIG. 5 is a top view of the gun suppressor of FIG. 1; FIG. 6 is a bottom view of the gun suppressor of FIG. 1; FIG. 7 is a rear view of the gun suppressor of FIG. 1; and, FIG. 8 is a top, right side view of the gun suppressor of FIG. 1.

The broken lines shown in FIGS. 1-8 that are immediately adjacent to the shaded are the boundary of the claimed design and are for the purpose of illustrating portions of the gun suppressor that form no part.

1 Claim, 4 Drawing Sheets



(56)

References Cited

U.S. PATENT DOCUMENTS

8,186,261	B2	5/2012	McNeill et al.	
D682,384	S *	5/2013	Jaureguizar	D22/108
D682,974	S *	5/2013	Honigmann	D22/108
D694,355	S	11/2013	Hormann	
D709,140	S *	7/2014	Coulter	D21/573
D719,646	S *	12/2014	Melo	D23/266
D743,007	S *	11/2015	Kimura	D23/266
9,239,201	B1 *	1/2016	Reis Green	F41A 21/30
D767,076	S	9/2016	Bebee	
D773,587	S	12/2016	Underwood	
D776,226	S *	1/2017	Green	D22/108
D778,386	S *	2/2017	Farthing	D22/108
D778,387	S *	2/2017	Farthing	D22/108
D779,618	S *	2/2017	Farthing	D22/108
D782,598	S *	3/2017	Faxon	D22/108
D788,873	S *	6/2017	Wiley	D22/108
D789,480	S	6/2017	Olsen	
D792,545	S *	7/2017	Green	D22/108
D802,699	S *	11/2017	Shults	D22/108
D802,700	S *	11/2017	Shults	D22/108
D807,461	S *	1/2018	Cheng	D22/108
D808,490	S *	1/2018	Meinert	D22/108
D811,513	S *	2/2018	Payton	D22/108
D825,845	S *	8/2018	Dittmer	D28/4
2008/0148928	A1 *	6/2008	McClellan	F41A 21/30 89/14.4
2010/0294118	A1	11/2010	Hortobagyi	
2011/0271575	A1	11/2011	Overbeek Bloem et al.	
2012/0228052	A1	9/2012	Findlay	
2013/0312592	A1 *	11/2013	Storrs	F01N 3/02 89/14.1
2017/0102201	A1 *	4/2017	Bush	F41A 21/30
2017/0205175	A1 *	7/2017	Garst	F41A 21/30
2017/0321984	A1 *	11/2017	Palu	F41A 21/34

* cited by examiner

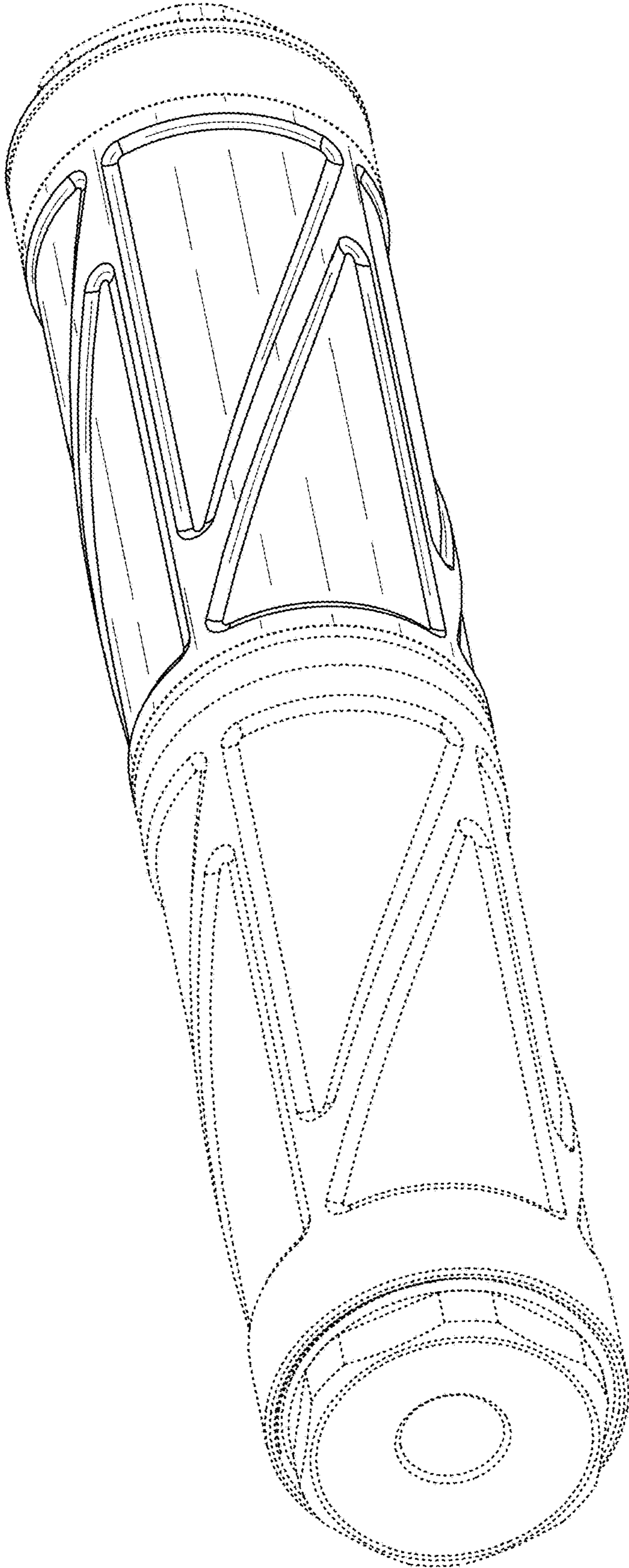


FIG. 1

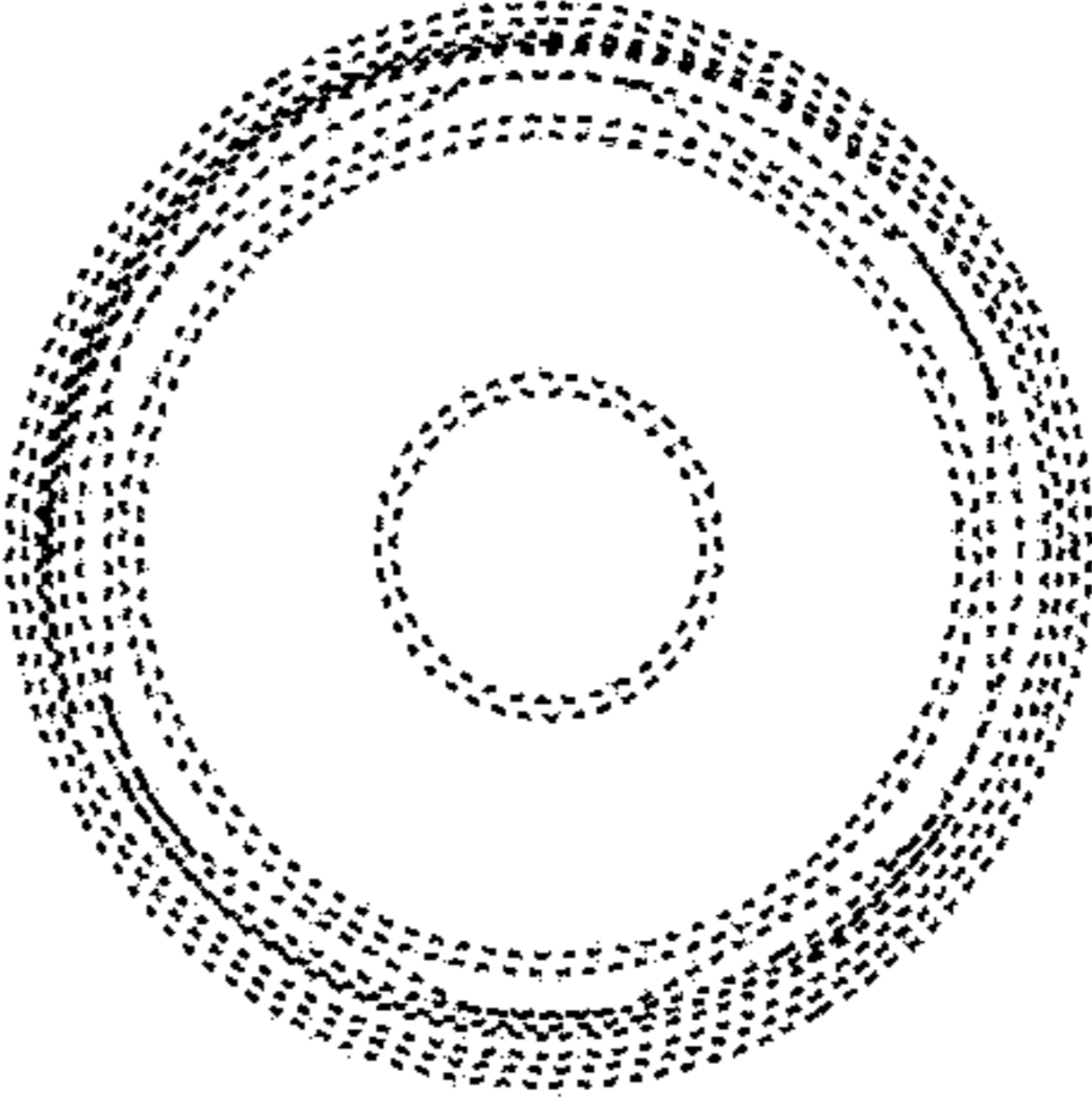


FIG. 2

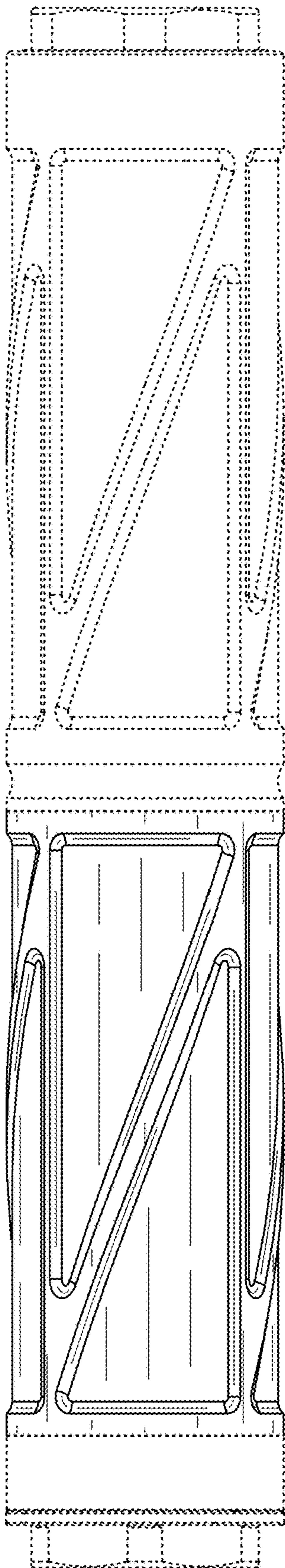


FIG. 3

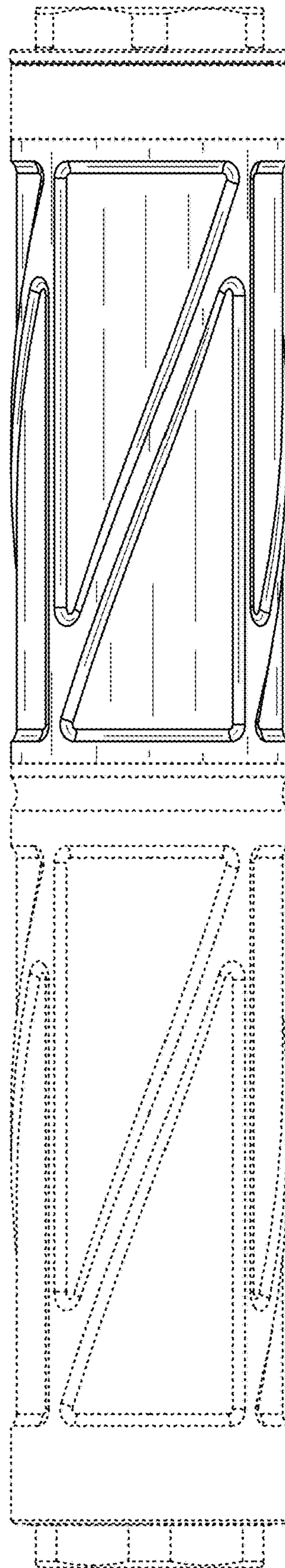
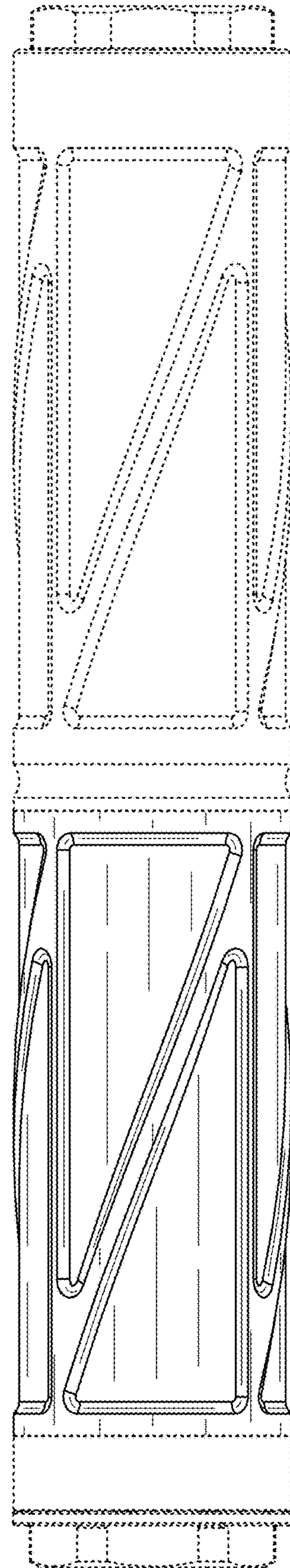
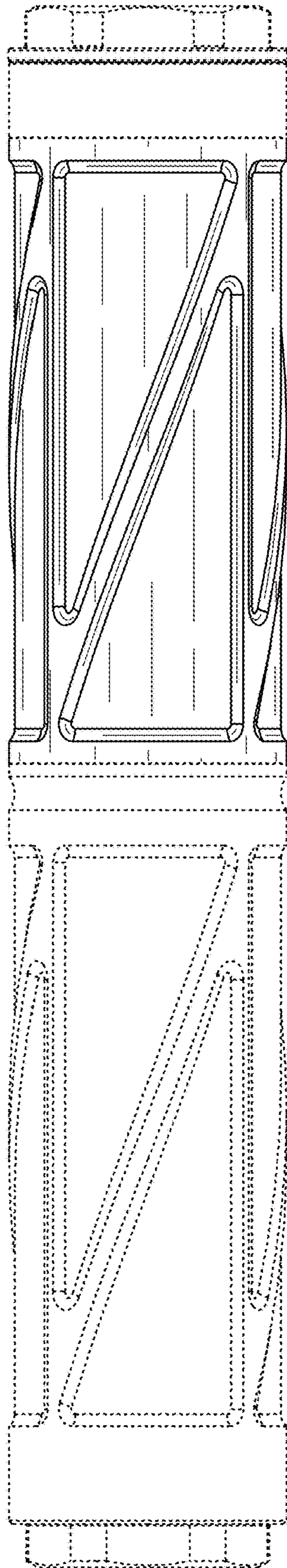


FIG. 4



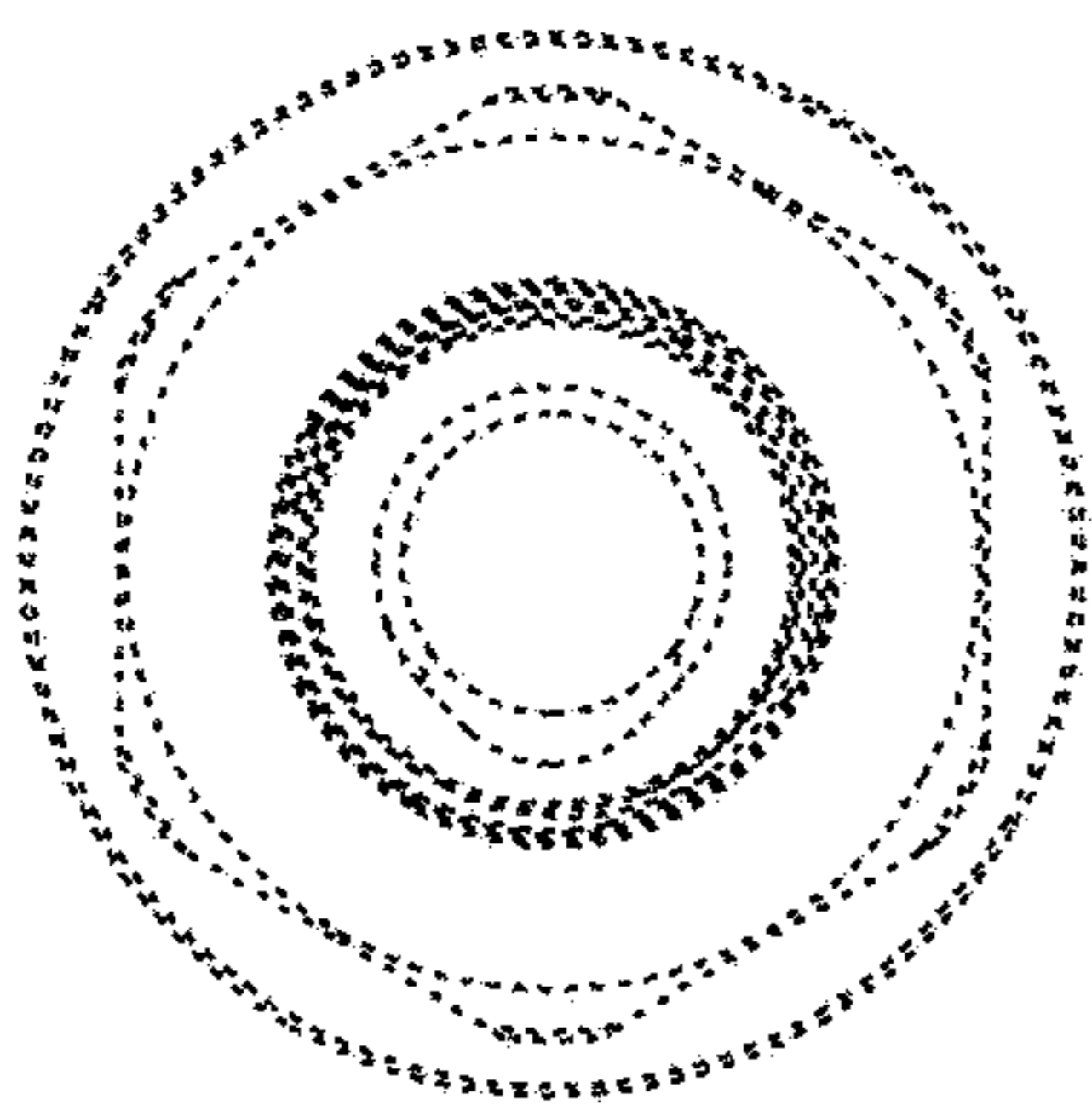


FIG. 7

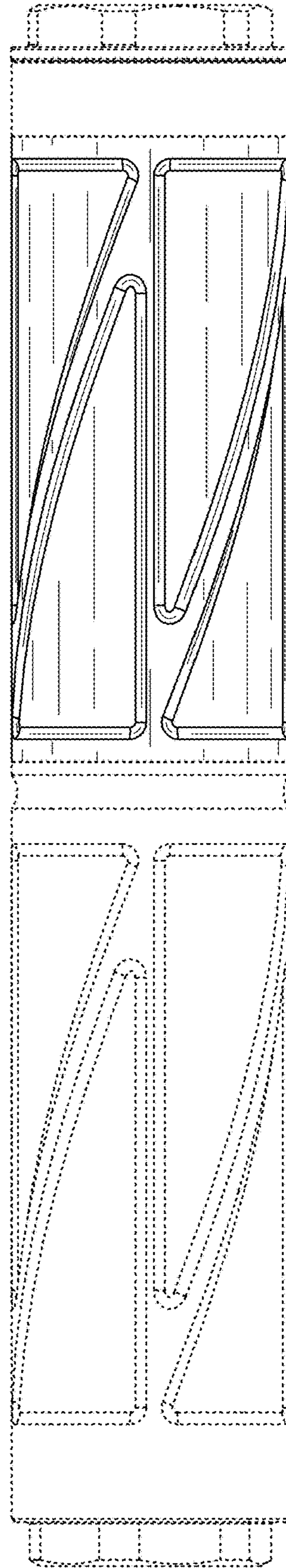


FIG. 8