



US00D842418S

(12) **United States Design Patent**
Oglesby

(10) **Patent No.:** **US D842,418 S**

(45) **Date of Patent:** **** Mar. 5, 2019**

(54) **BARREL CHAMBER BLOCK**

(71) Applicant: **Paul A. Oglesby**, Darley (GB)

(72) Inventor: **Paul A. Oglesby**, Darley (GB)

(**) Term: **15 Years**

(21) Appl. No.: **29/606,090**

(22) Filed: **Jun. 1, 2017**

(51) **LOC (11) Cl.** **22-01**

(52) **U.S. Cl.**
USPC **D22/108**; D22/104

(58) **Field of Classification Search**
USPC D22/108, 199, 104; D21/572-575
CPC F41A 21/34; F41A 21/325; F41A 21/32;
F41A 21/28; F41A 3/14; F41A 3/30;
F41A 17/44

See application file for complete search history.

(56) **References Cited**

U.S. PATENT DOCUMENTS

D536,054 S *	1/2007	Price	D22/108
D559,346 S *	1/2008	Early, IV	D22/108
D593,629 S *	6/2009	Bantle	D22/104
D594,924 S *	6/2009	Pflaumer	D22/100
D687,508 S *	8/2013	Peterman	D22/108
8,667,882 B1 *	3/2014	Larson	F41A 3/66 89/140
D777,871 S *	1/2017	Niswander	D22/108
D791,262 S *	7/2017	Brown	D22/104
D794,154 S *	8/2017	McKillips	D22/108
D815,236 S *	4/2018	Delgado Acarreta	D22/108
2002/0189148 A1 *	12/2002	Hanson	F41A 17/44 42/70.11
2017/0299315 A1 *	10/2017	Shelton	F41A 21/34

FOREIGN PATENT DOCUMENTS

GB	729236 A *	5/1955	F41A 9/17
WO	WO-2005038385 A2 *	4/2005	F41A 17/44

OTHER PUBLICATIONS

Lantac 9INE Match Grade Glock Barrels, posted at Weapon Evolution, posting date Aug. 23, 2017. [Site visited Nov. 21, 2018] URL: <<http://www.weaponrevolution.com/forum/showthread.php?10347-LANTAC-9INE-Match-Grade-Glock-Barrels>> (Year: 2017).*
GlockGuy226, Glock Barrel Upgrade, Is it Worth the Money??. posted at YouTube, posting date Feb. 7, 2017. [Site visited Nov. 21, 2018] URL: <https://www.youtube.com/watch?v=4jxc1_KBM21> (Year: 2017).*
Zero7One, Silencerco G19 Threaded Barrrels Now Available, posted at Zero7one, posting date Dec. 11, 2014. [Site visited Nov. 21, 2018] URL: <<http://zero7one.com/tag/glock/>> (Year: 2014).*

* cited by examiner

Primary Examiner — Kevin K Rudzinski
Assistant Examiner — Kathleen L Jones
(74) *Attorney, Agent, or Firm* — Shaddock Law Group, PC

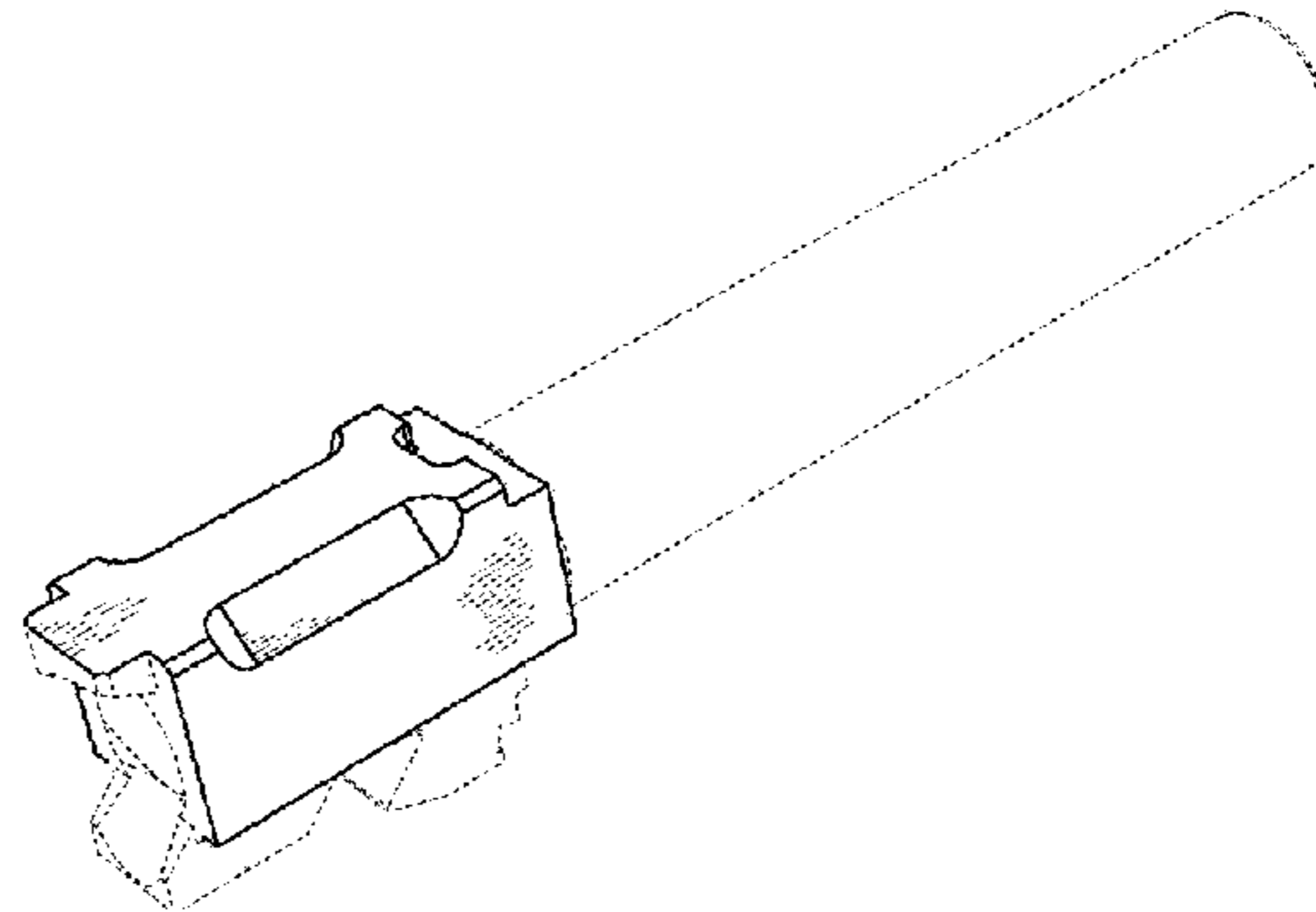
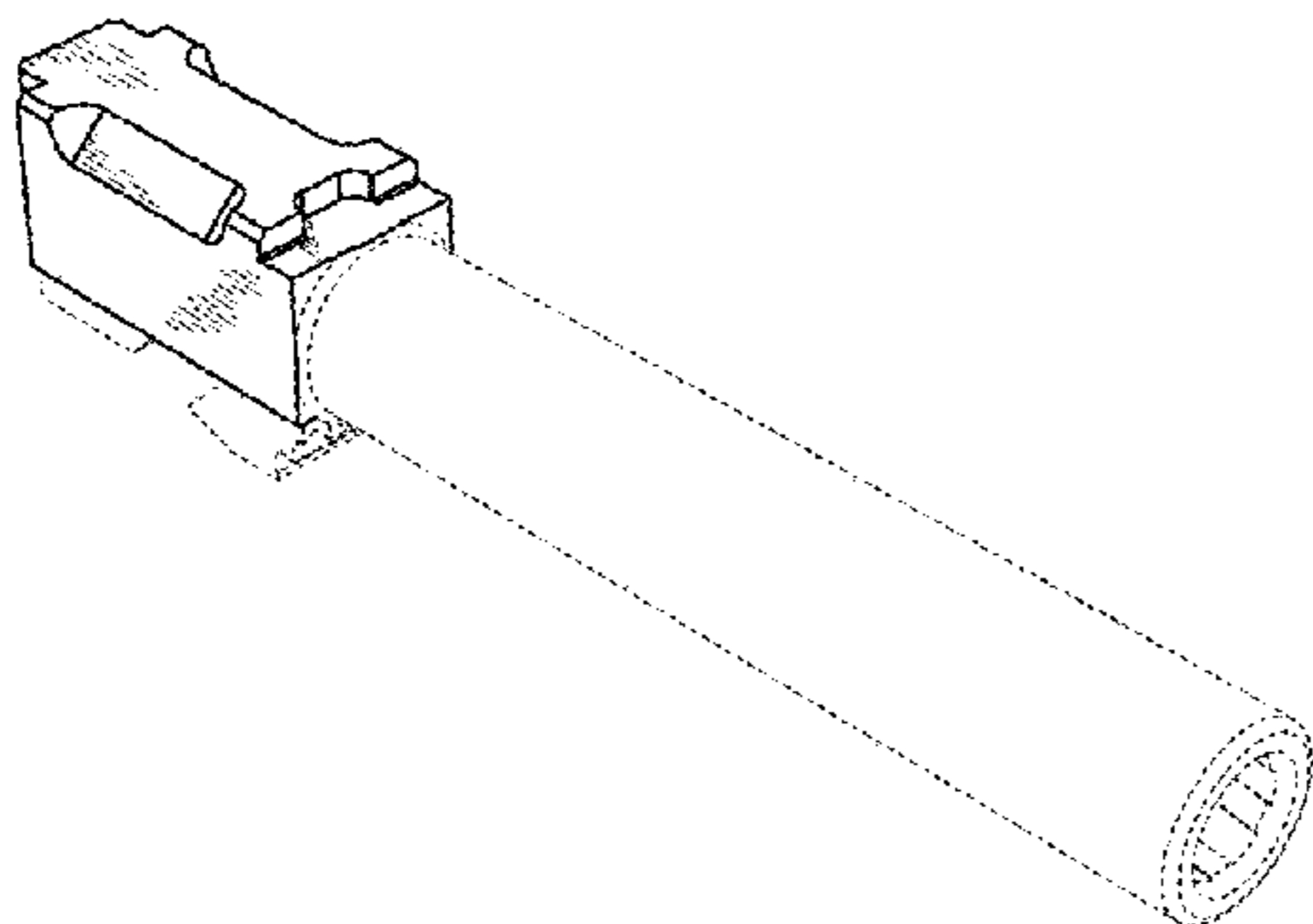
(57) **CLAIM**

The ornamental design for a barrel chamber block, as shown and described.

DESCRIPTION

FIG. 1 is an upper, right, front perspective view of the barrel chamber block, showing my new design;
FIG. 2 is an upper, left, front perspective view thereof;
FIG. 3 is an upper, right, rear perspective view thereof;
FIG. 4 is an upper, left, rear perspective view thereof;
FIG. 5 is a right side view thereof;
FIG. 6 is a left side view thereof;
FIG. 7 is a top plan view thereof;
FIG. 8 is a bottom plan view thereof;
FIG. 9 is a front view thereof; and,
FIG. 10 is a rear view thereof.
The broken lines showing portions of the barrel chamber block as well as the broken lines showing environmental structure form no part of the claimed design.

1 Claim, 5 Drawing Sheets



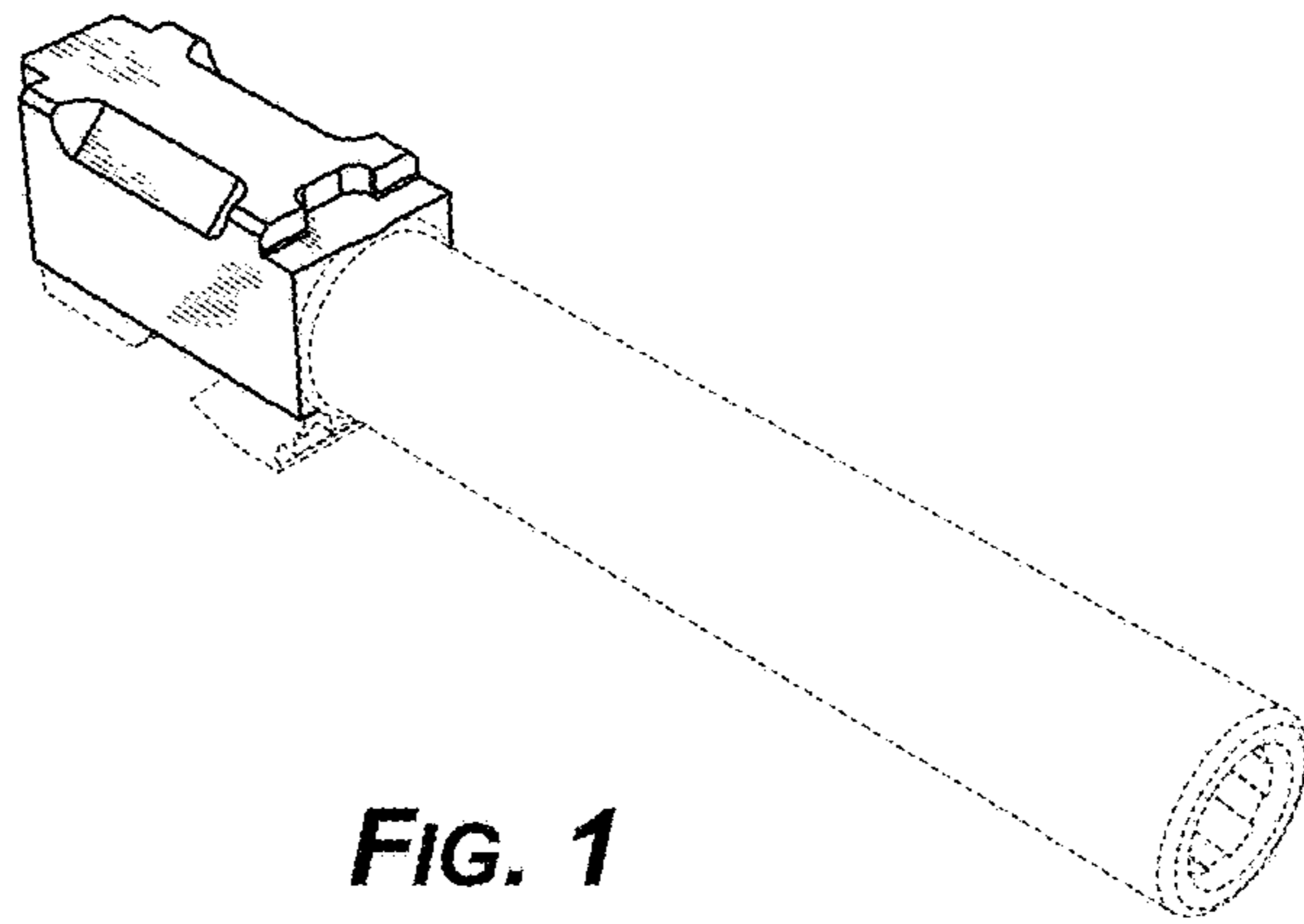


FIG. 1

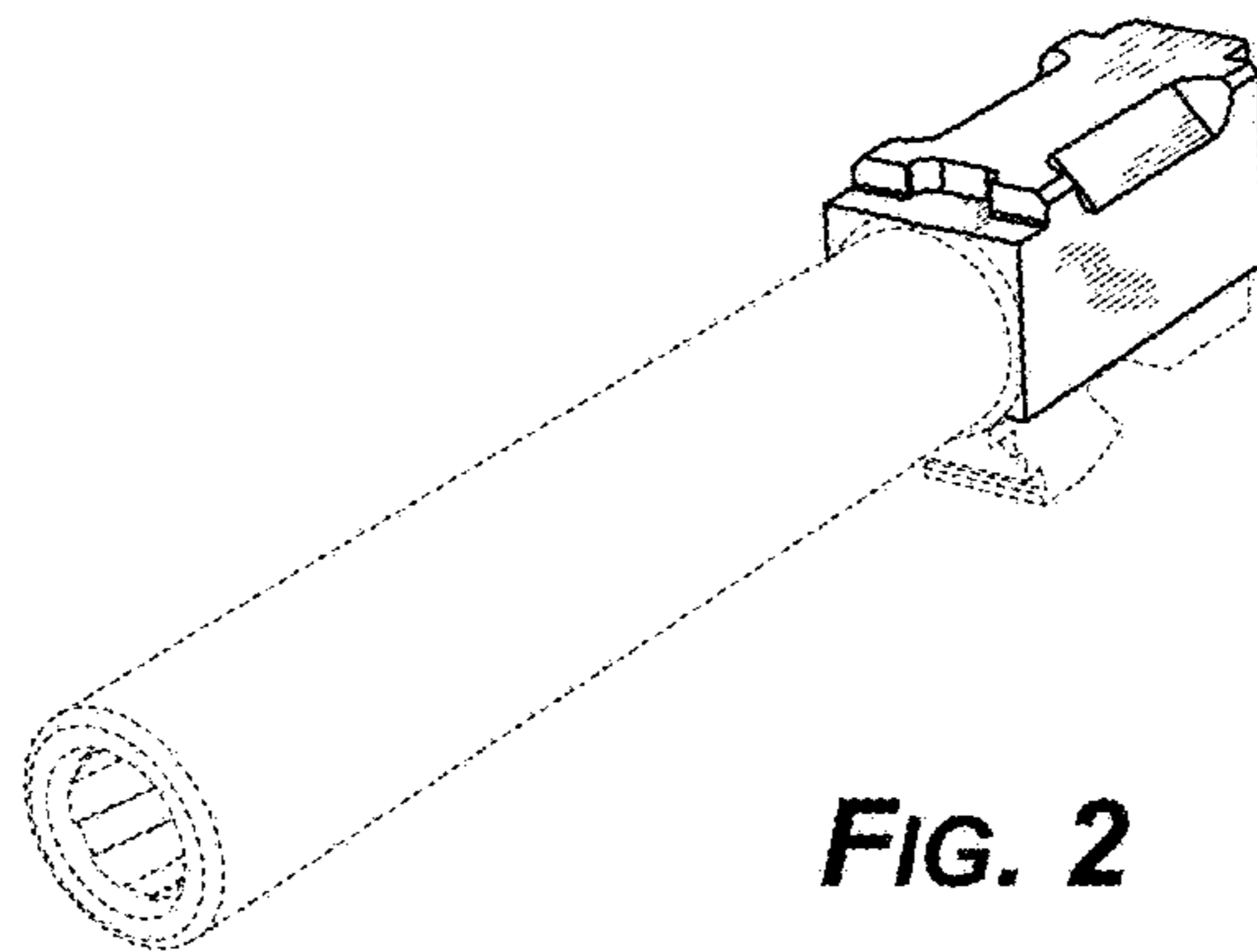


FIG. 2

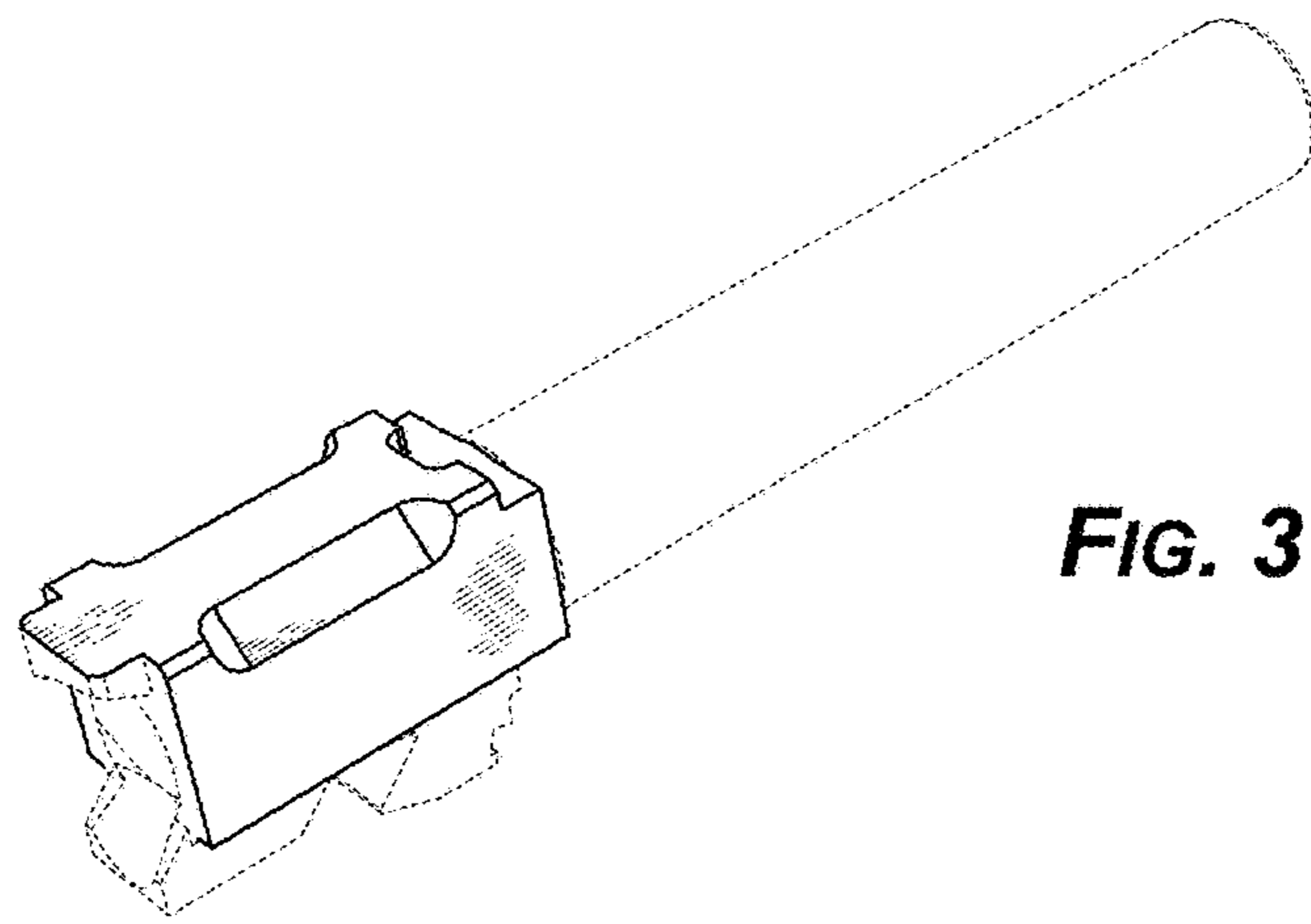


FIG. 3

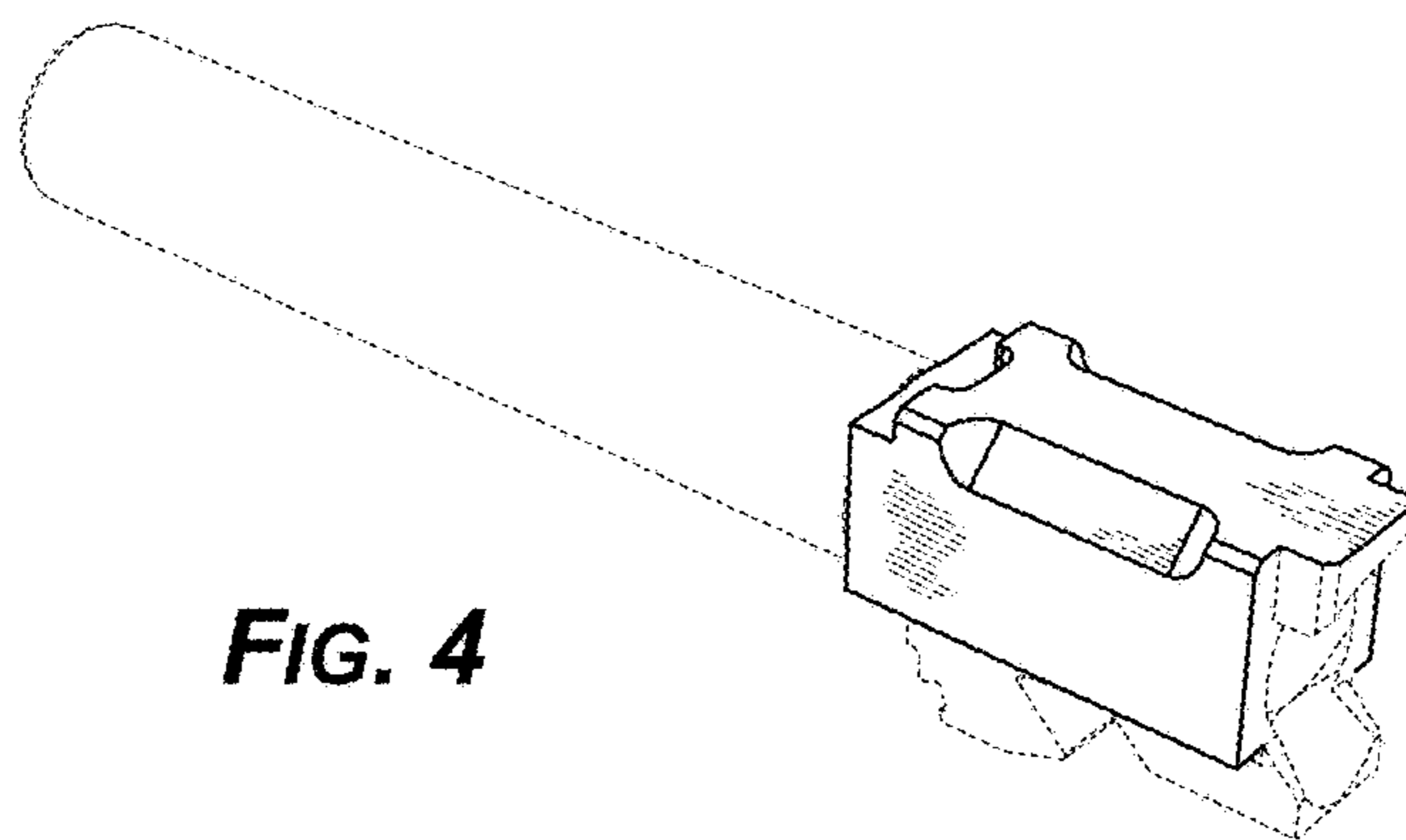


FIG. 4

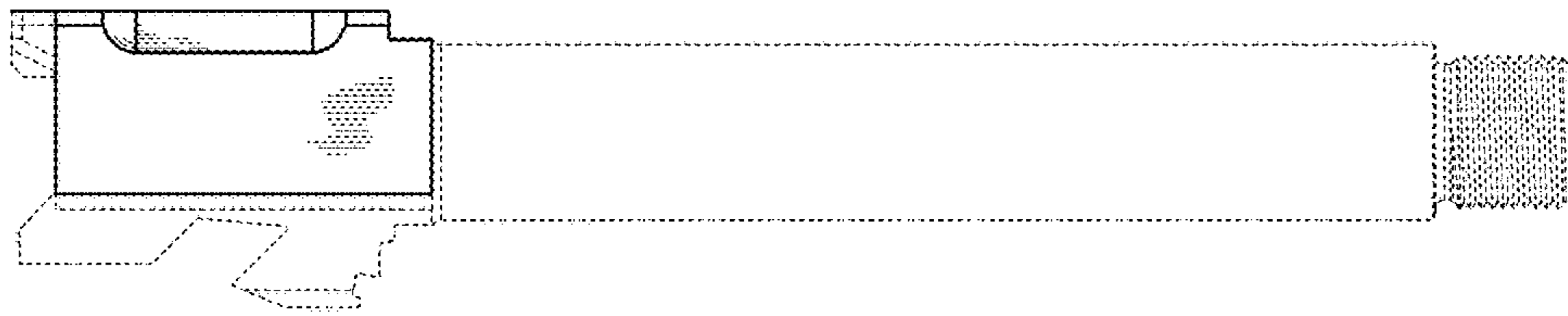


FIG. 5

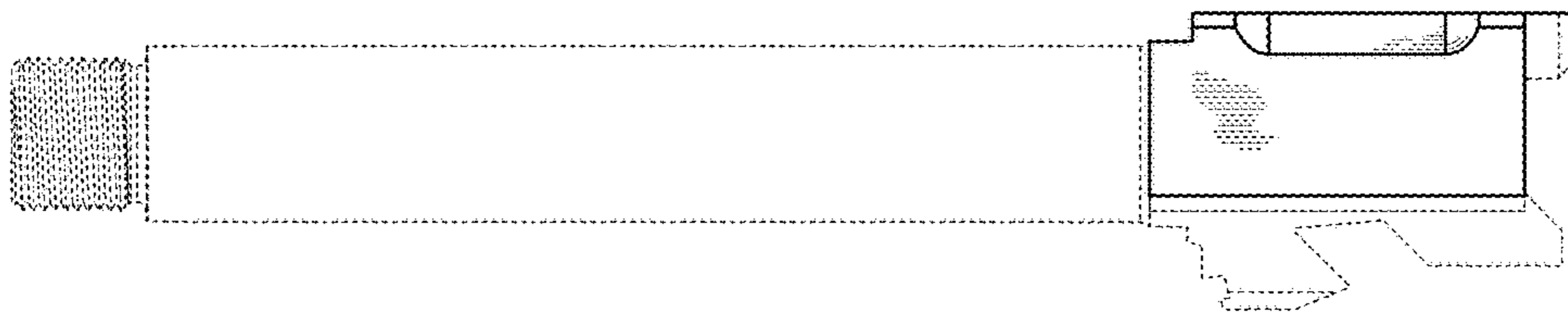


FIG. 6

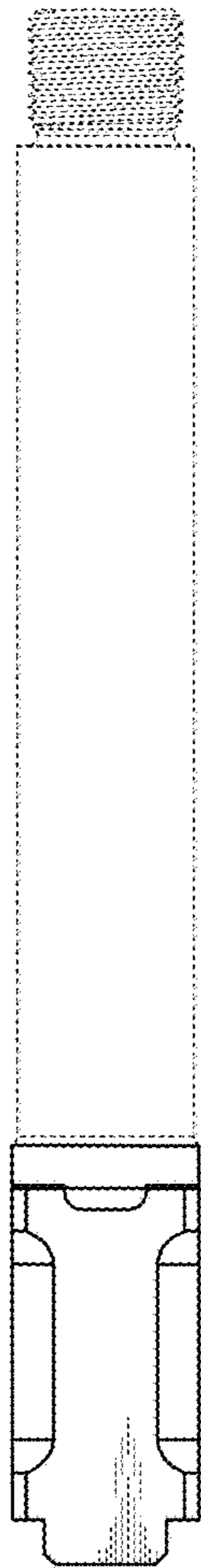


FIG. 7

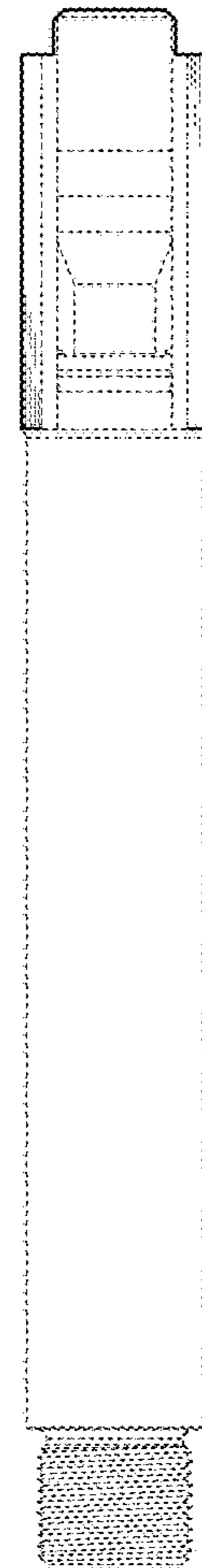


FIG. 8

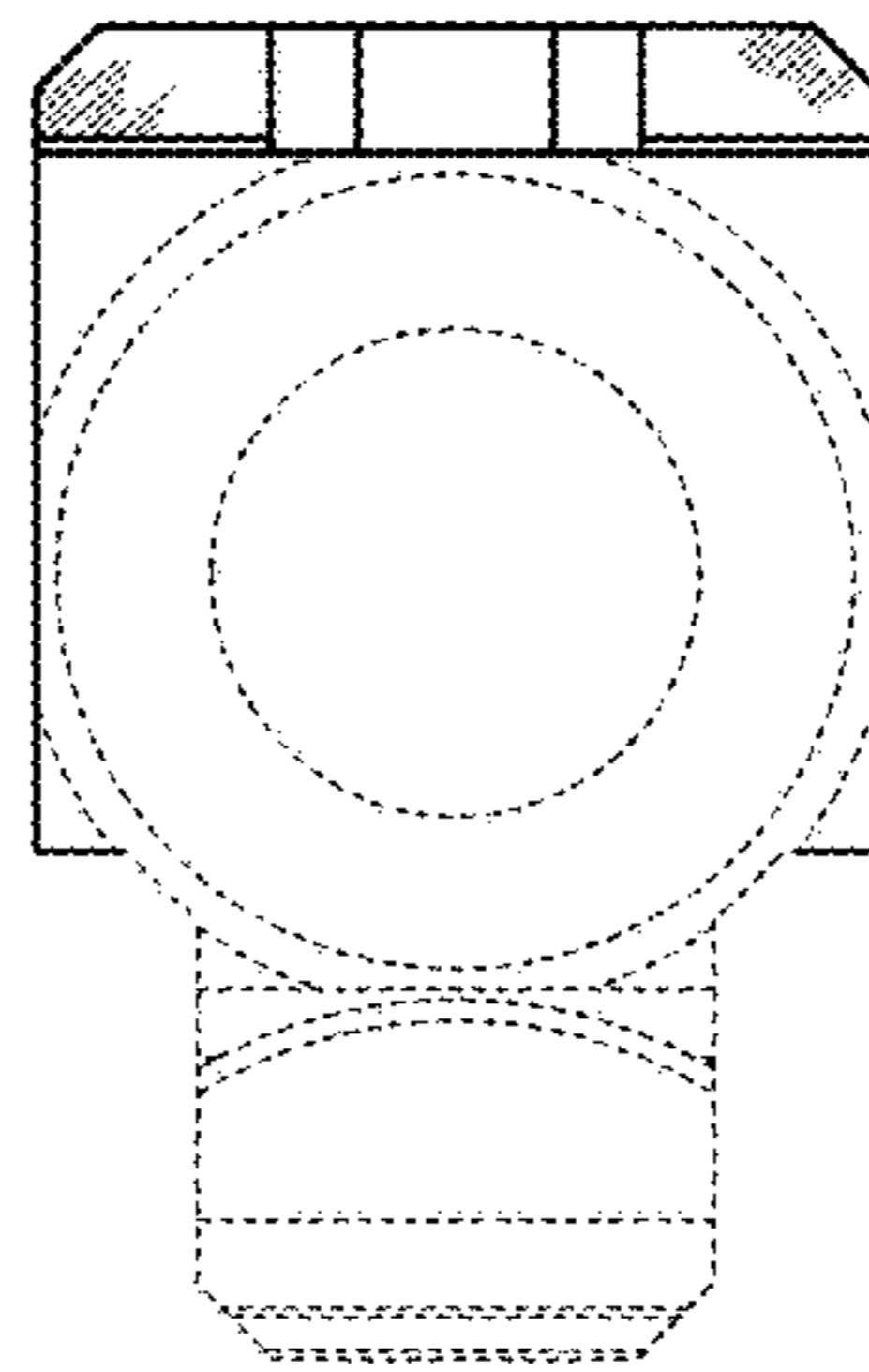


FIG. 9

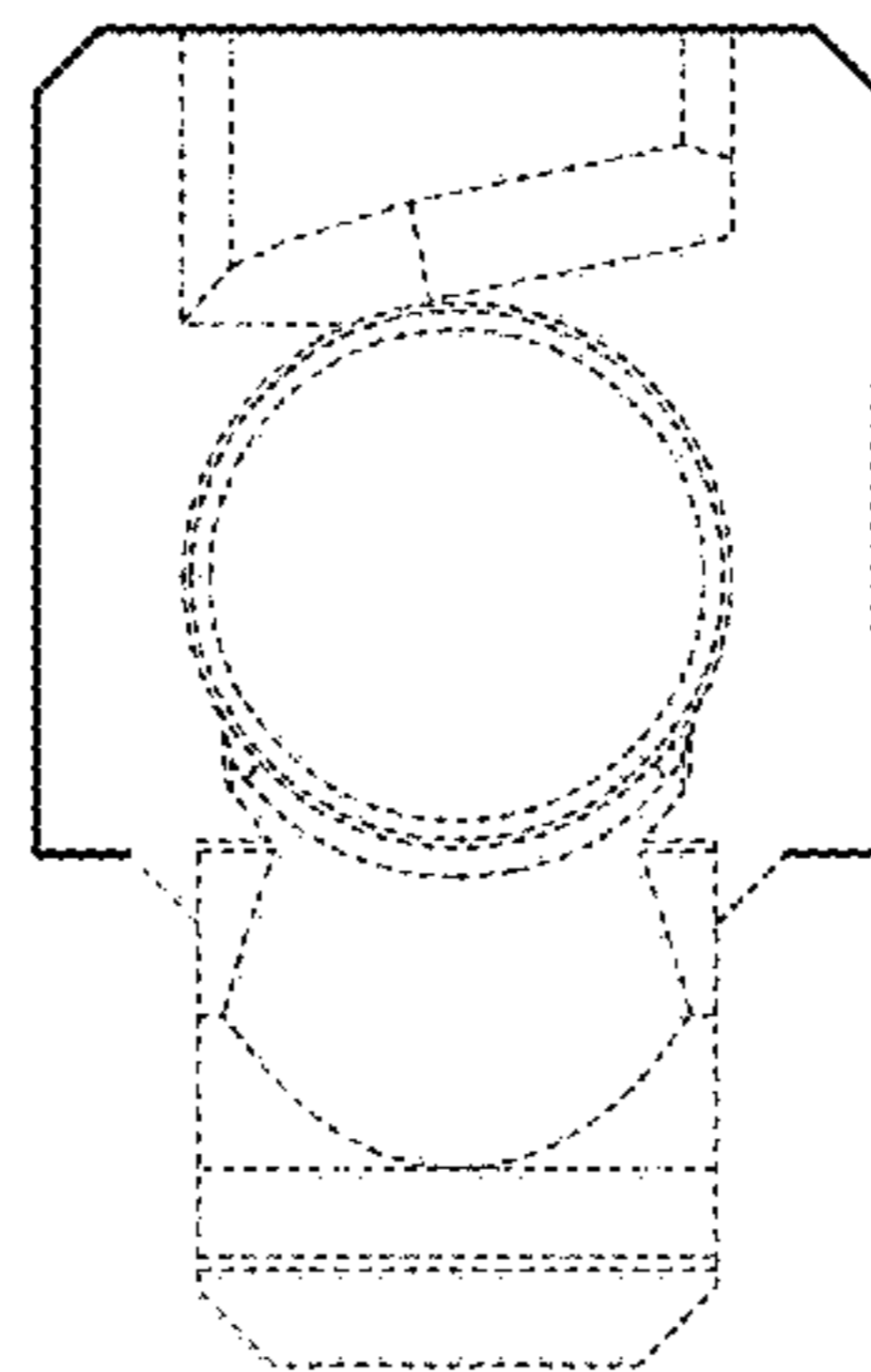


FIG. 10