



US00D842417S

(12) **United States Design Patent**  
**Liu**

(10) **Patent No.:** **US D842,417 S**  
(45) **Date of Patent:** **\*\* Mar. 5, 2019**

(54) **STEADY FLOW ELEMENT OF AN AIR GUN**

(71) Applicant: **Yao-Jen Liu**, Taichung (TW)

(72) Inventor: **Yao-Jen Liu**, Taichung (TW)

(\*\*) Term: **15 Years**

(21) Appl. No.: **29/604,744**

(22) Filed: **May 19, 2017**

(51) **LOC (11) Cl.** ..... **22-01**

(52) **U.S. Cl.**  
USPC ..... **D22/108; D22/102**

(58) **Field of Classification Search**  
USPC ..... **D22/102, 104-105, 107-110, 199;**  
**D21/571-575**

CPC ..... **F41B 1/00; F41A 21/28**  
See application file for complete search history.

(56) **References Cited**

**U.S. PATENT DOCUMENTS**

D157,767 S *	3/1950	Lindebaum	124/27
D216,308 S *	12/1969	Hirsch	D22/102
D360,673 S *	7/1995	Buttler	D22/108
D366,364 S *	1/1996	Pollock	D22/108
D475,430 S *	6/2003	Wardle	D22/108
D482,424 S *	11/2003	Barber	D22/108
D610,220 S *	2/2010	Vandewater	D22/107
D699,303 S *	2/2014	Coulter	D21/573
D759,780 S *	6/2016	Wang	D22/108
D763,974 S *	8/2016	Evans	D21/573
D790,648 S *	6/2017	Pezeshk	D22/108
D792,549 S *	7/2017	McKillips	D22/108
D800,863 S *	10/2017	Uribe	D22/102
2013/0213376 A1 *	8/2013	Kenworthy	F41B 1/00 124/62
2016/0146568 A1 *	5/2016	Ma	F41B 11/723 124/62

2017/0307316 A1 *	10/2017	Fumia	F41A 9/23
2017/0336181 A1 *	11/2017	Emert	A01K 81/00
2018/0078201 A1 *	3/2018	Behzadi	A61B 5/4851

**OTHER PUBLICATIONS**

Kit Completo Cilindro L96 AirsoftPro, posted at Airsoft Montequinto, posting date May 8, 2016. [Site visited Oct. 25, 2018] URL: <<https://web.archive.org/web/20160508005901/http://airsoftmontequinto.com/product/kit-completo-cilindro-l96-airsoftpro/>> (Year: 2016).\*

Cold Steel Blowgun Stun Dart Pack of 50, posted at Midway USA, review posted 2014. [Site visited Oct. 25, 2018] URL: <<https://www.midwayusa.com/product/1003169546/cold-steel-blowgun-stun-dart-pack-of-50>> (Year: 2014).\*

\* cited by examiner

*Primary Examiner* — Kevin K Rudzinski

*Assistant Examiner* — Kathleen L Jones

(74) *Attorney, Agent, or Firm* — Egbert Law Offices, PLLC

(57) **CLAIM**

The ornamental design for a steady flow element of an air gun, as shown and described.

**DESCRIPTION**

FIG. 1 is a perspective view of a steady flow element of an air gun showing my new design.

FIG. 2 is a front elevational view thereof;

FIG. 3 is a rear elevational view thereof;

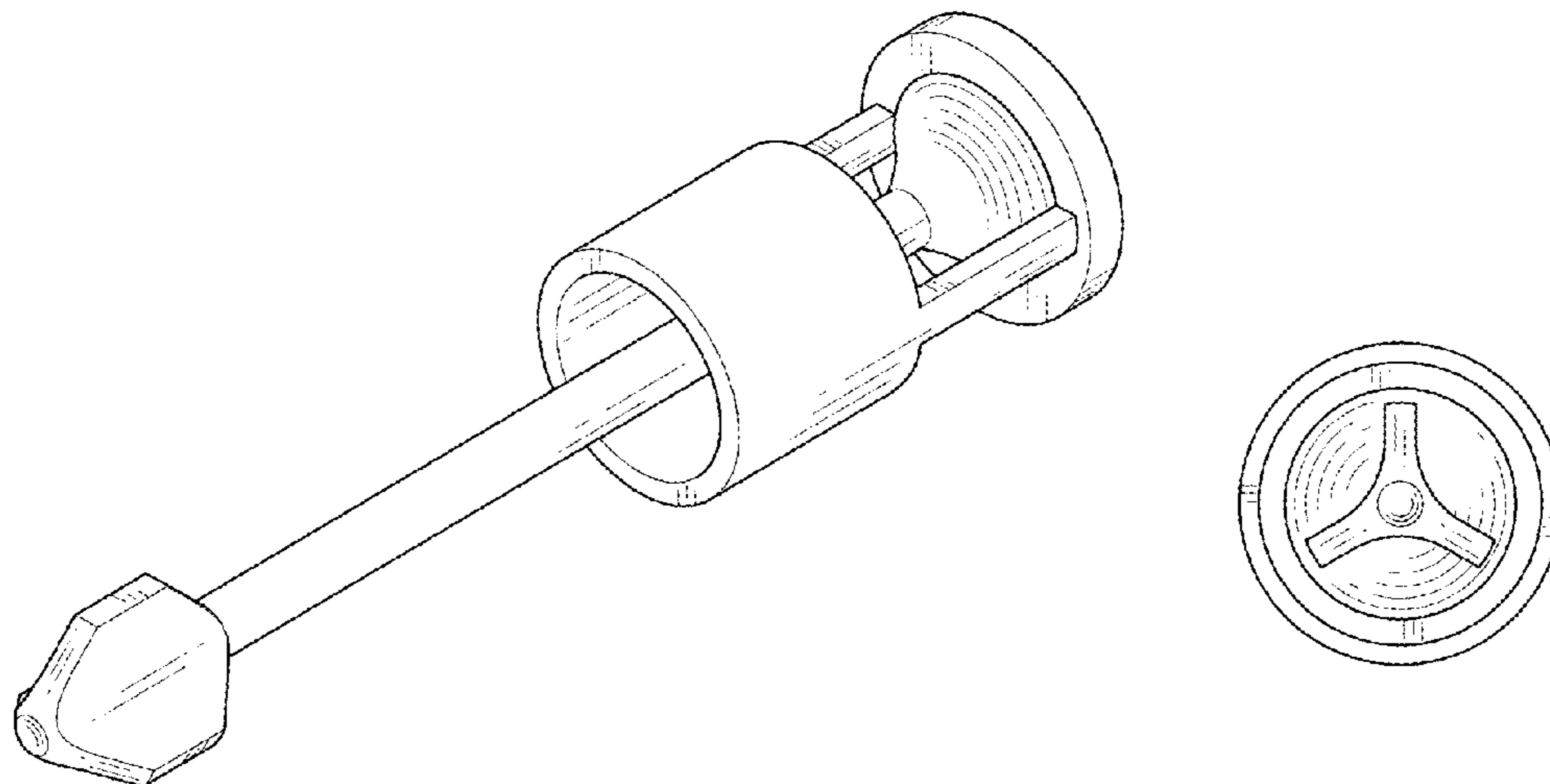
FIG. 4 is a left side view thereof;

FIG. 5 is a right side view thereof;

FIG. 6 is a top plan view thereof; and,

FIG. 7 is a bottom plan view thereof.

**1 Claim, 7 Drawing Sheets**



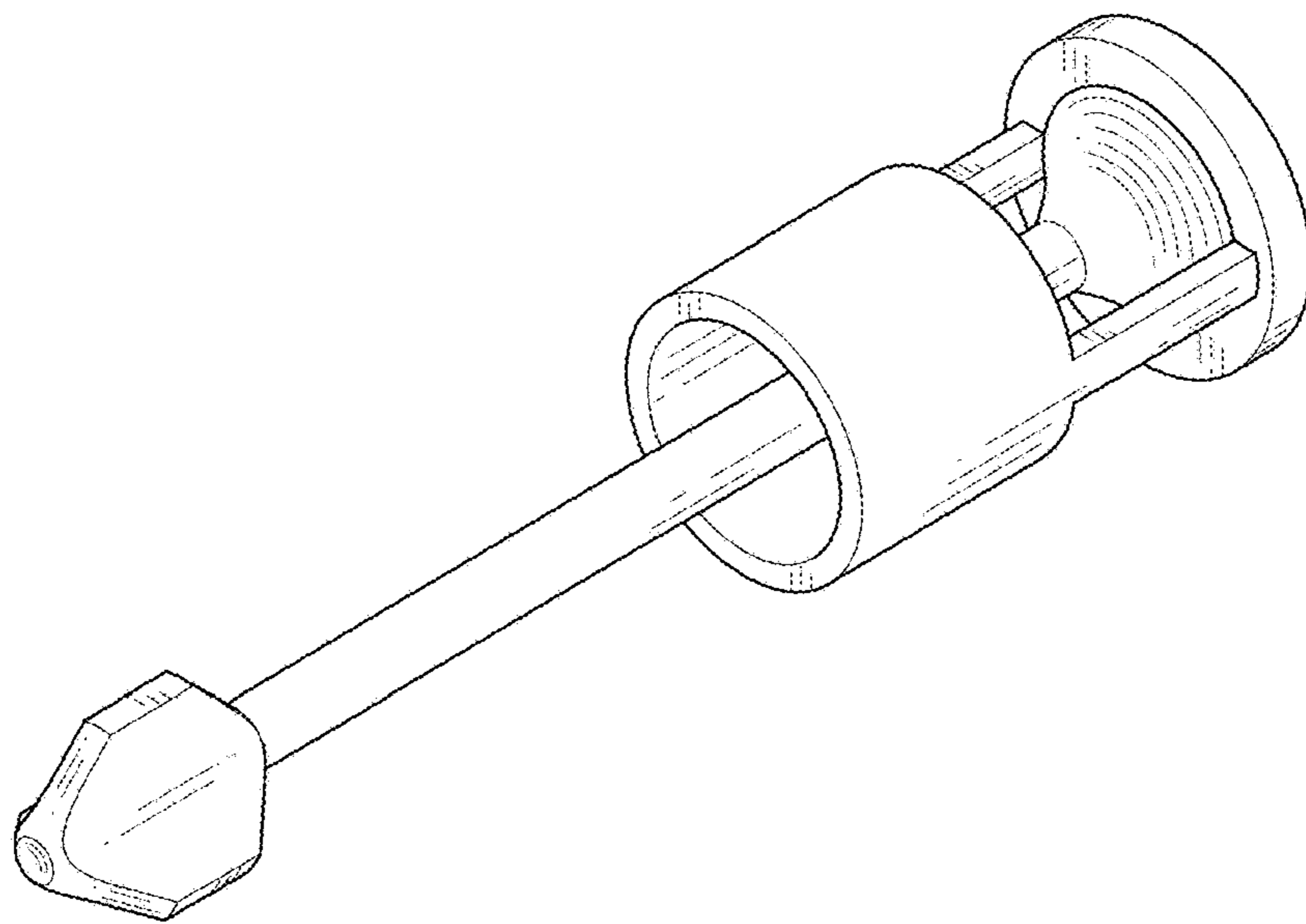


FIG. 1

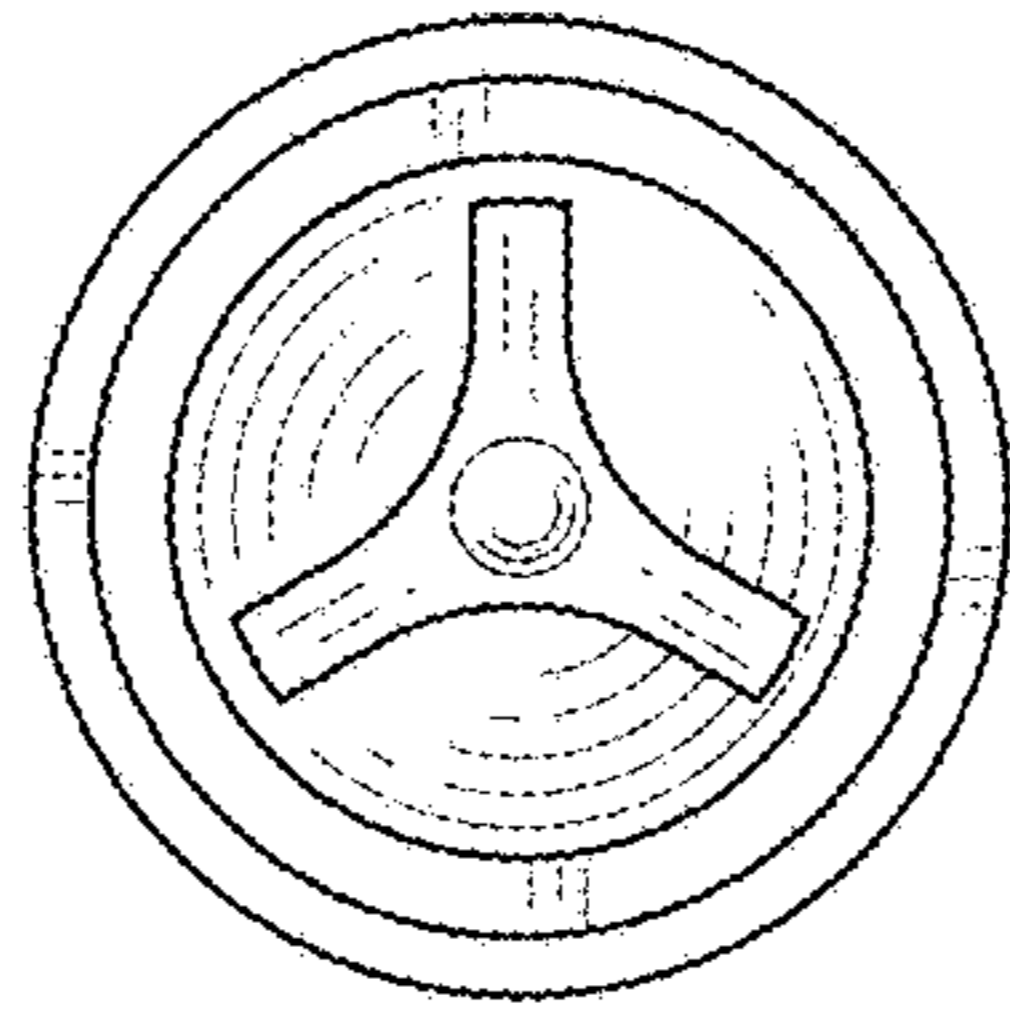


FIG. 2

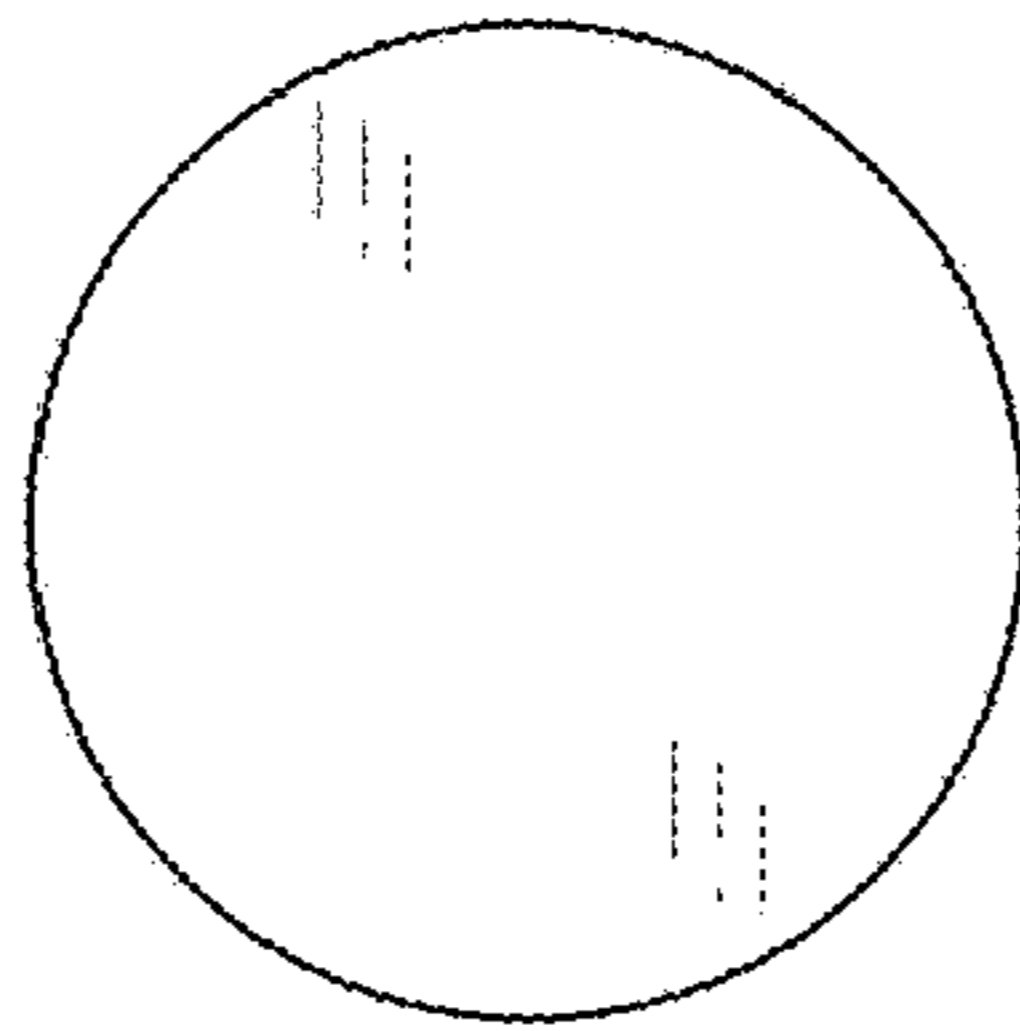


FIG. 3

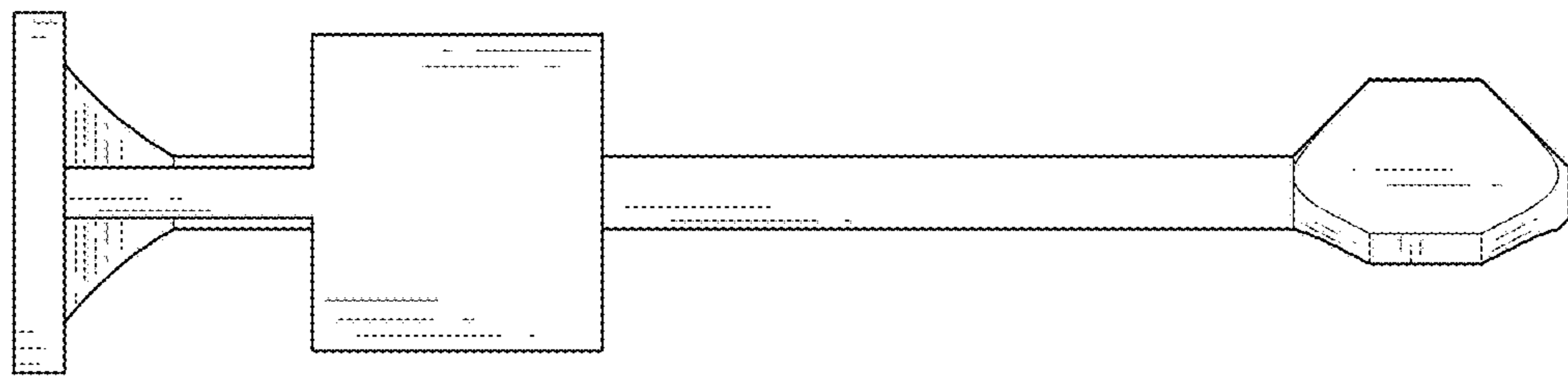


FIG. 4

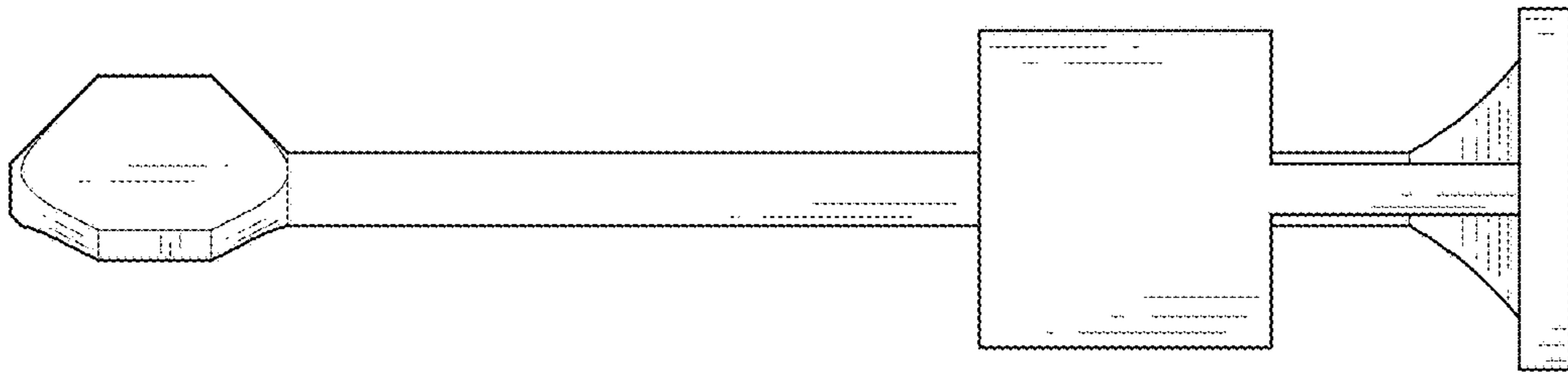


FIG. 5

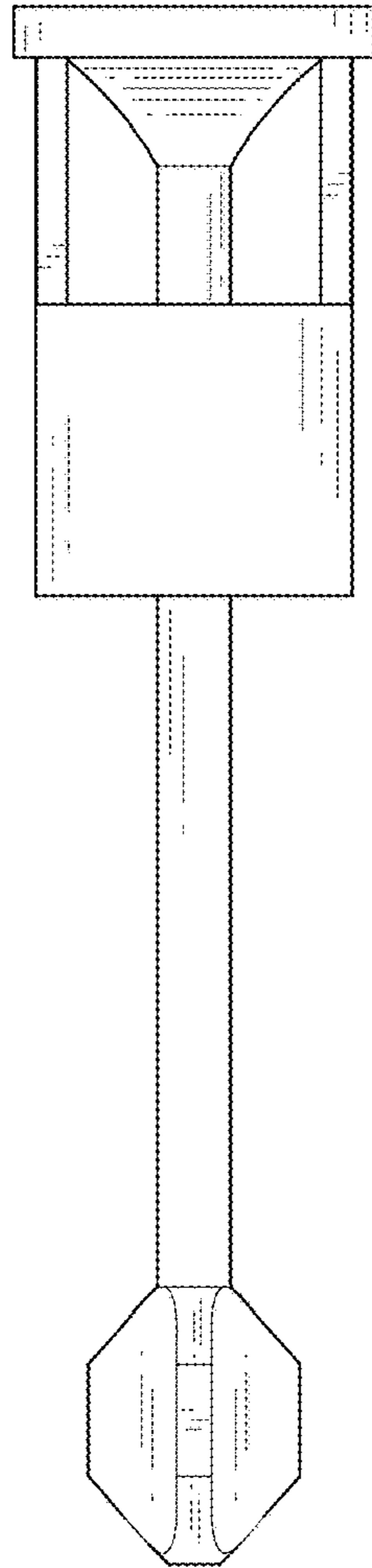


FIG. 6

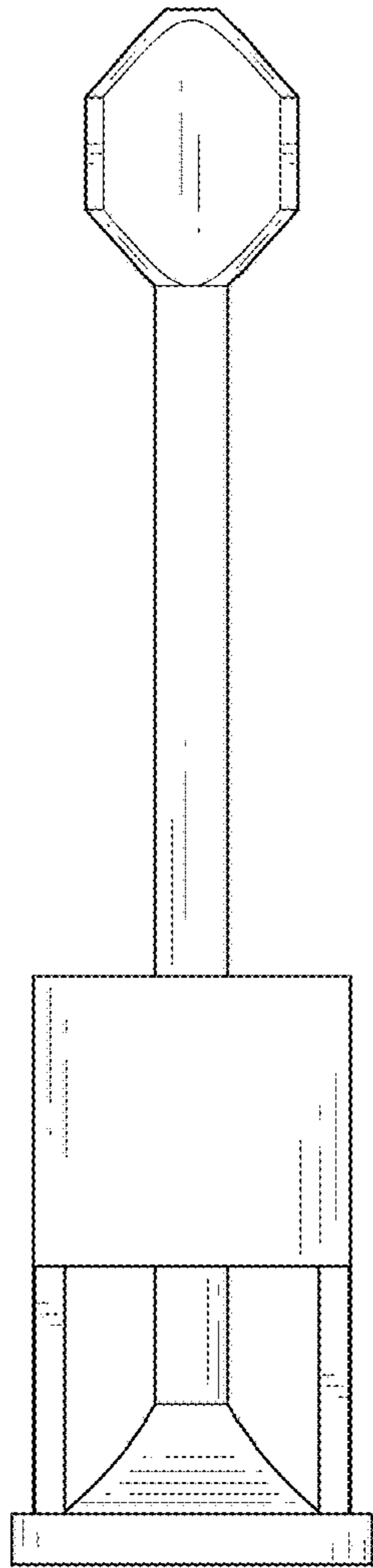


FIG. 7