

US00D842416S

(12) **United States Design Patent**
Saadon

(10) **Patent No.:** **US D842,416 S**

(45) **Date of Patent:** **** Mar. 5, 2019**

(54) **ANGLED GRIP**

(71) Applicant: **FXD, LLC**, Austin, TX (US)

(72) Inventor: **Marschell B Saadon**, Round Rock, TX (US)

(73) Assignee: **FXD, LLC**, Killeen, TX (US)

(**) Term: **15 Years**

(21) Appl. No.: **29/604,153**

(22) Filed: **May 15, 2017**

(51) **LOC (11) Cl.** **22-01**

(52) **U.S. Cl.**
USPC **D22/108**

(58) **Field of Classification Search**
USPC D22/101, 107-111; D8/68
CPC F41C 23/10; F41C 23/14; F41C 23/16;
F41C 23/18

See application file for complete search history.

(56) **References Cited**

U.S. PATENT DOCUMENTS

D537,314 S *	2/2007	Junkers	D8/68
D591,129 S *	4/2009	Rane	D8/68
D643,497 S *	8/2011	Fitzpatrick	D22/108
D728,054 S *	4/2015	Webber	D22/108
D745,623 S *	12/2015	Flores	D22/108
D745,940 S *	12/2015	Flores	D22/108
9,322,611 B1 *	4/2016	Barfoot	F41A 21/48
D786,383 S *	5/2017	Saadon	D22/108
D786,384 S *	5/2017	Saadon	D22/108
D790,650 S *	6/2017	Saadon	D22/108
D790,651 S *	6/2017	Saadon	D22/108
D792,935 S *	7/2017	Ward, Jr.	D22/108
D803,967 S *	11/2017	Saadon	D22/108
D803,968 S *	11/2017	Saadon	D22/108
D803,969 S *	11/2017	Saadon	D22/108
D803,971 S *	11/2017	Saadon	D22/108
D812,708 S *	3/2018	Hartley	D22/109

D819,765 S *	6/2018	Kafka	D22/103
2011/0047851 A1 *	3/2011	Mock	F41C 23/16 42/72
2011/0107643 A1 *	5/2011	Fitzpatrick	F41C 23/16 42/72
2015/0233668 A1 *	8/2015	Moore	F41C 23/16 42/72
2016/0061560 A1 *	3/2016	Saadon	F41G 11/003 42/72

OTHER PUBLICATIONS

FXDaccessories, FXD's Revolutionary Gun Grip, posted at YouTube, posting date Jul. 12, 2016. [Site visited Sep. 22, 2018] URL: <<https://www.youtube.com/watch?v=S-0pL0izelA>> (Year: 2016).*

(Continued)

Primary Examiner — Kevin K Rudzinski
Assistant Examiner — Kathleen L Jones

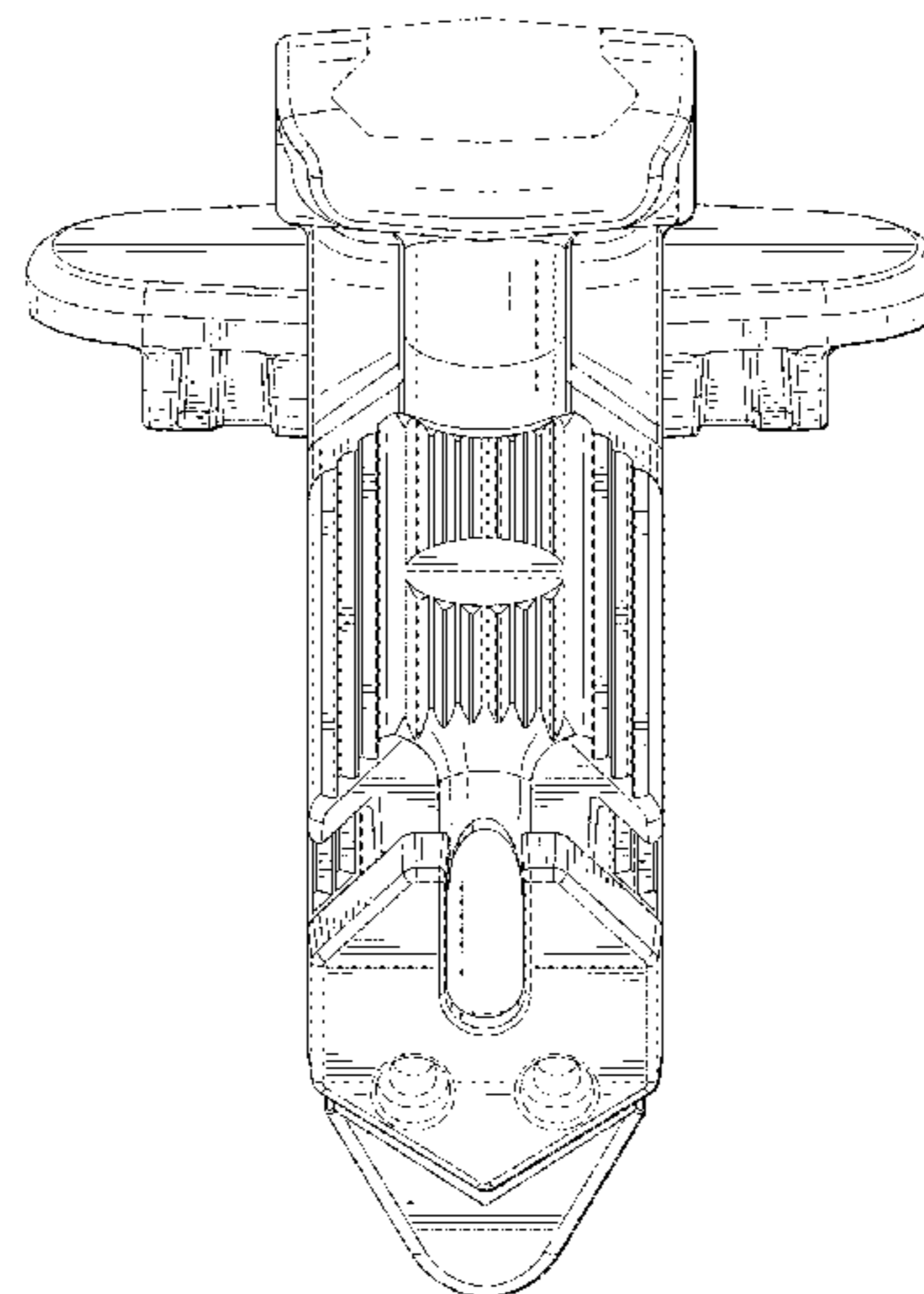
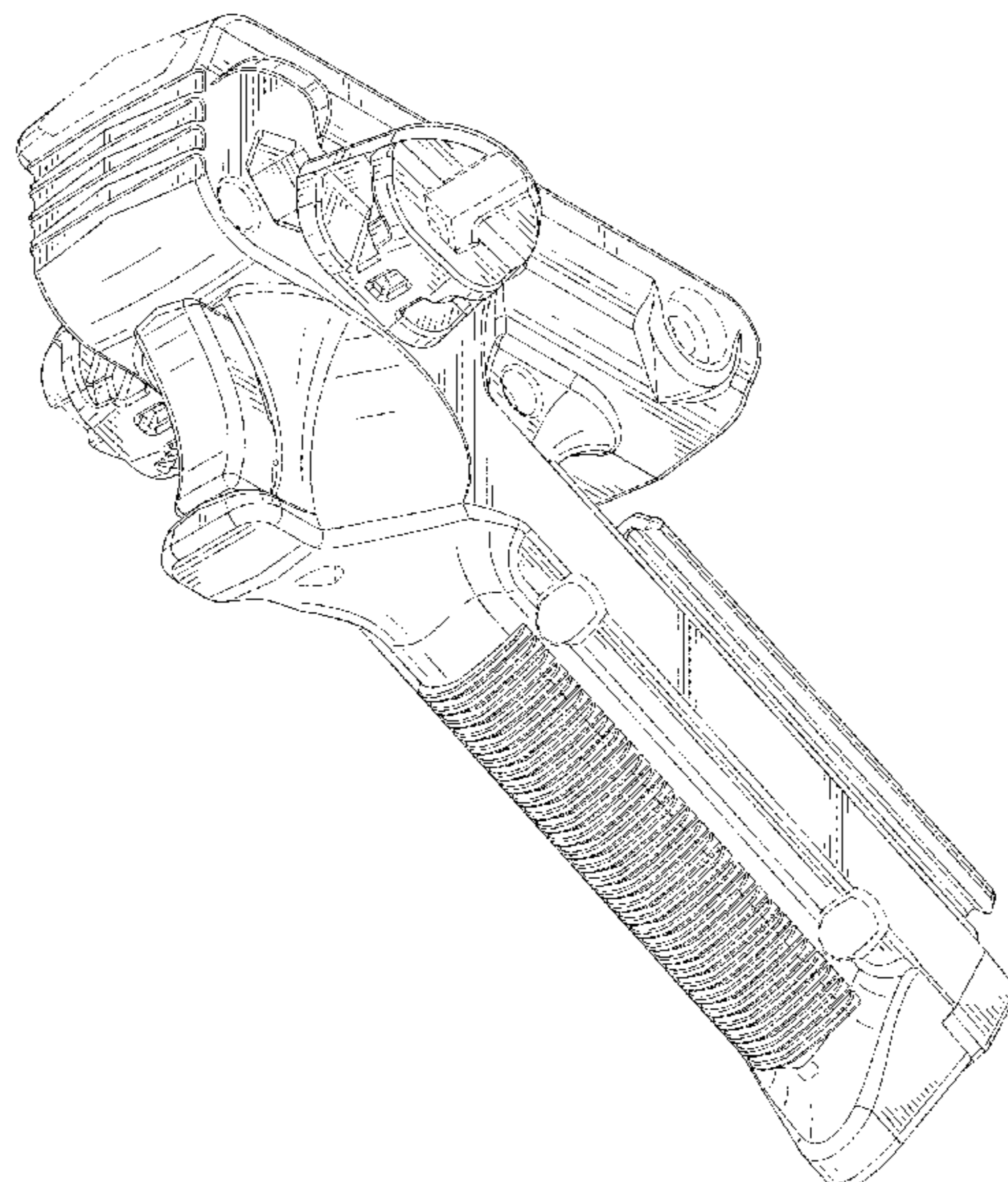
(57) **CLAIM**

The ornamental design for an angled grip, as shown and described.

DESCRIPTION

FIG. 1 is a front perspective view of an angled grip; FIG. 2 is front elevation view thereof; FIG. 3 is a rear elevation view thereof; FIG. 4 is a right-side view thereof; FIG. 5 is a left-side view thereof; FIG. 6 is a top view thereof; FIG. 7 is a bottom view thereof; FIG. 8 is a rear perspective view thereof; and, FIG. 9 is a side view thereof with a firearm shown in broken lines to illustrate environmental structure. The broken lines in the drawings showing portions of the angled grip as well as those showing a firearm in FIG. 9 form no part of the claimed design.

1 Claim, 9 Drawing Sheets



(56)

References Cited

OTHER PUBLICATIONS

Welcome to FXD, posted at FXD, posting date Oct. 1, 2016. [Site visited Sep. 22, 2018] URL: <<https://web.archive.org/web/20161001153354/http://forcexdesign.com/>> (Year: 2016).*

Grine, Joe, Gear Review: FAB Defense Vz. 58 Upgrades, posted at The Truth About Guns, posting date Apr. 2, 2014. [Site visited Sep. 22, 2018] URL: <<https://www.thetruthaboutguns.com/2014/04/joe-grine/gear-review-fab-defense-vz-58-upgrades/>> (Year: 2014).*

* cited by examiner

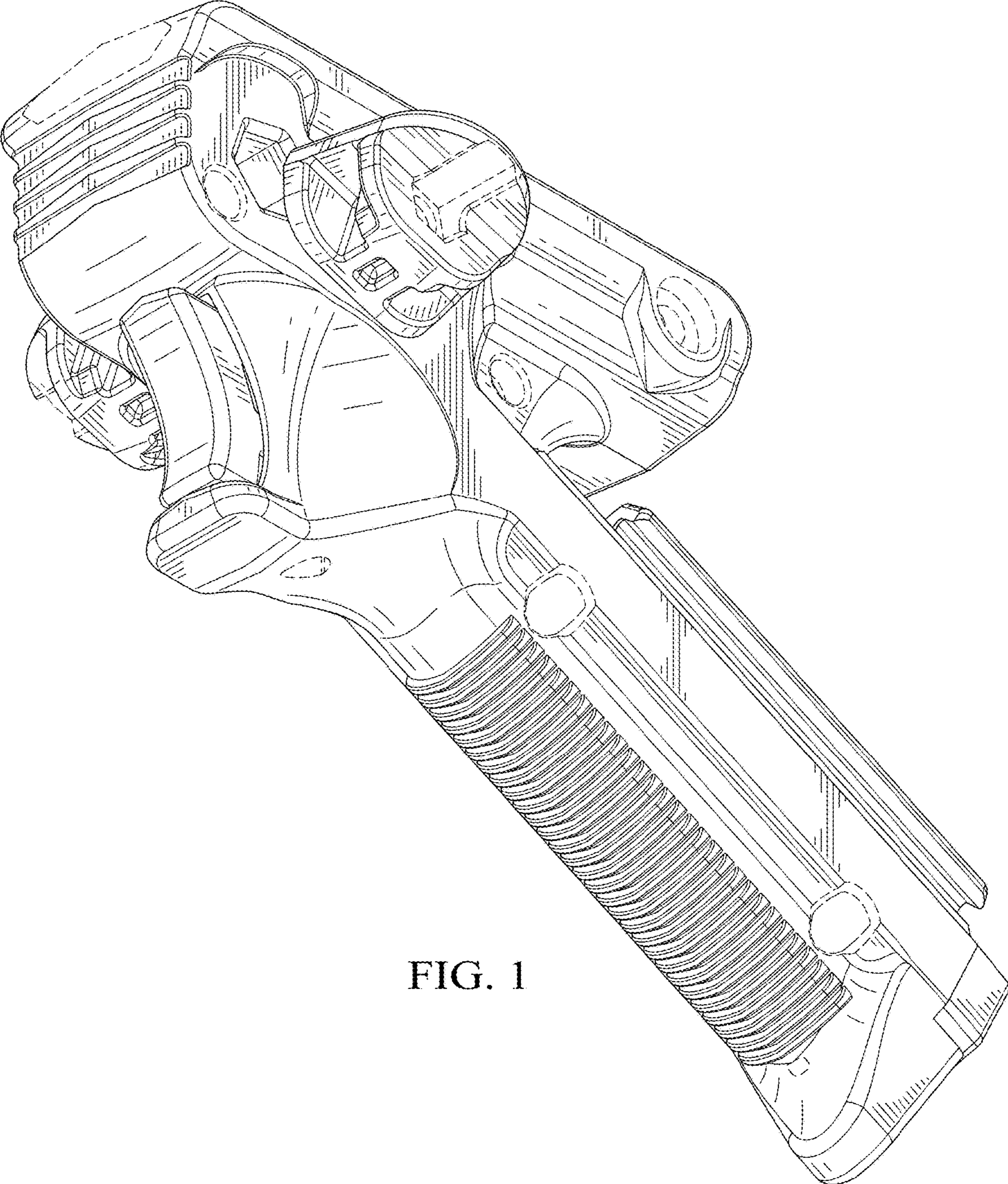


FIG. 1

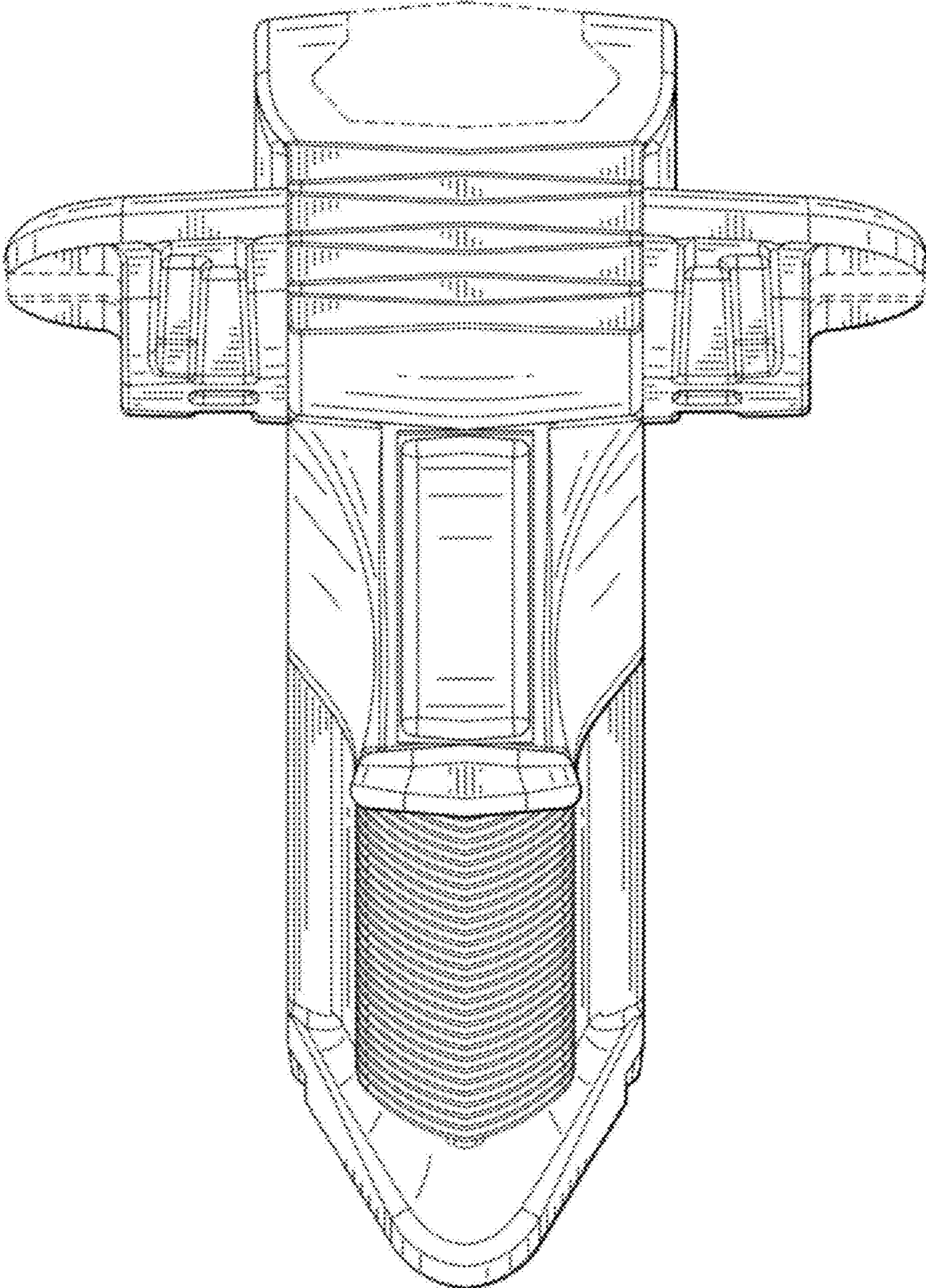


FIG. 2

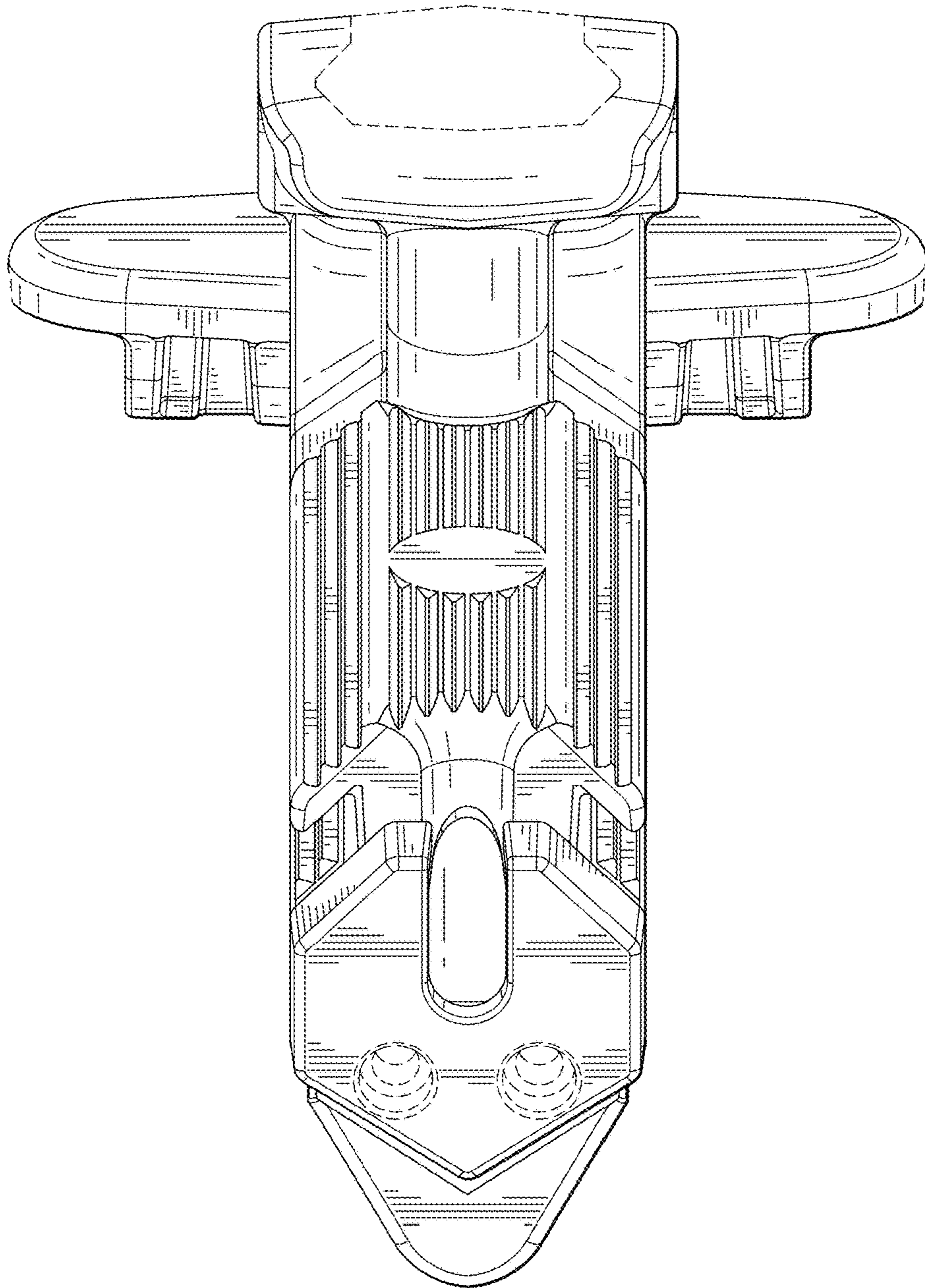


FIG. 3

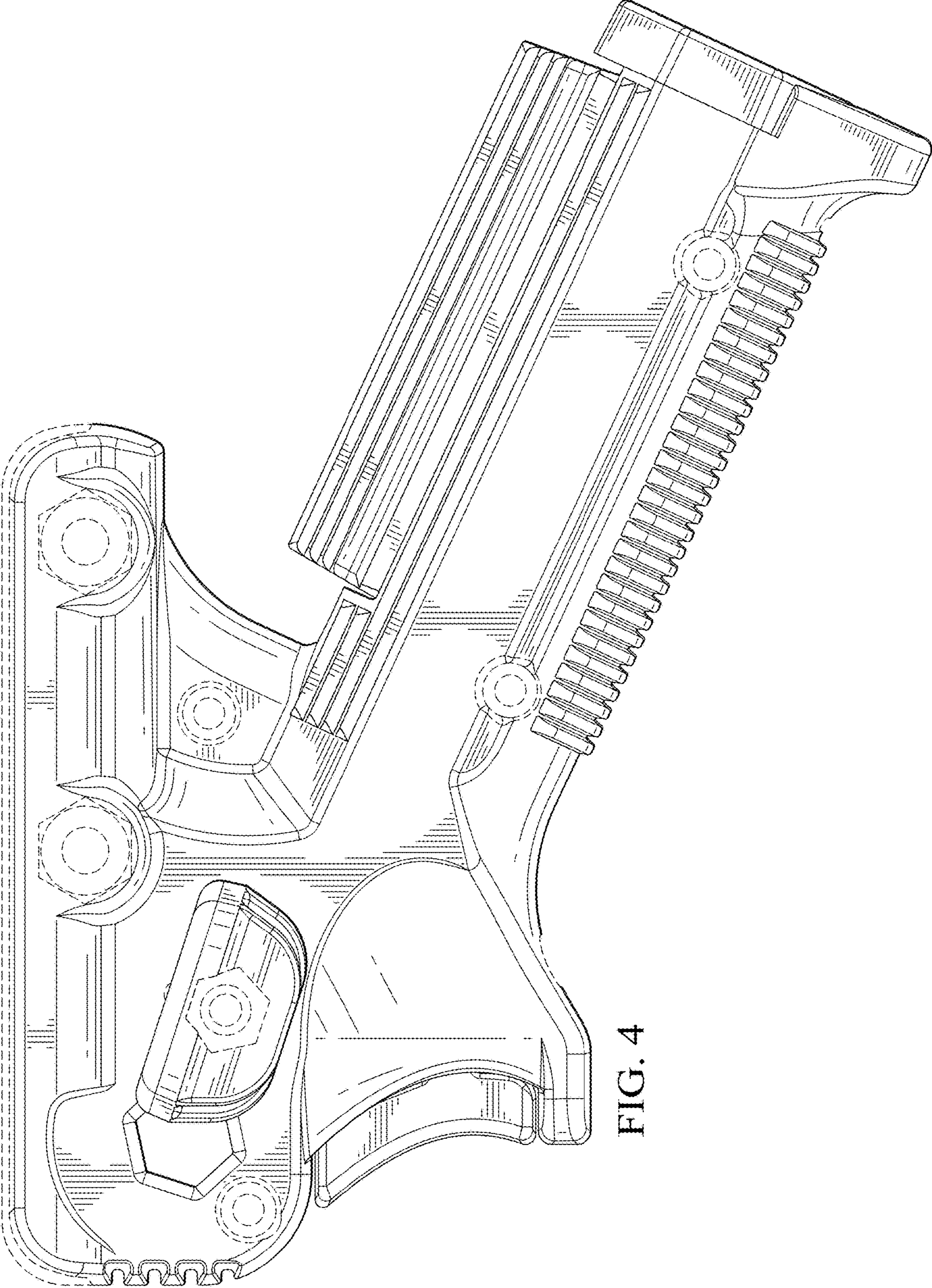


FIG. 4

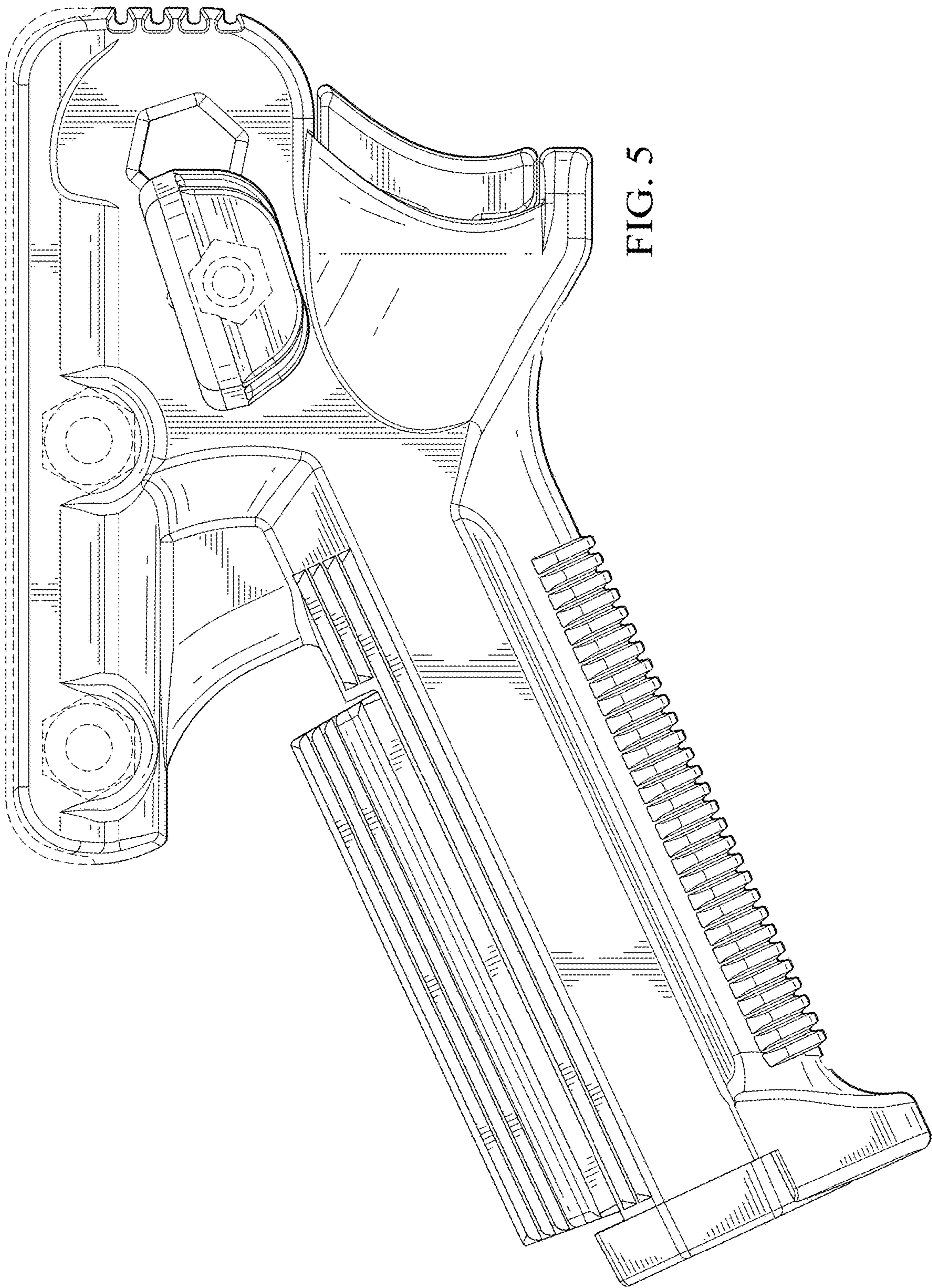


FIG. 5

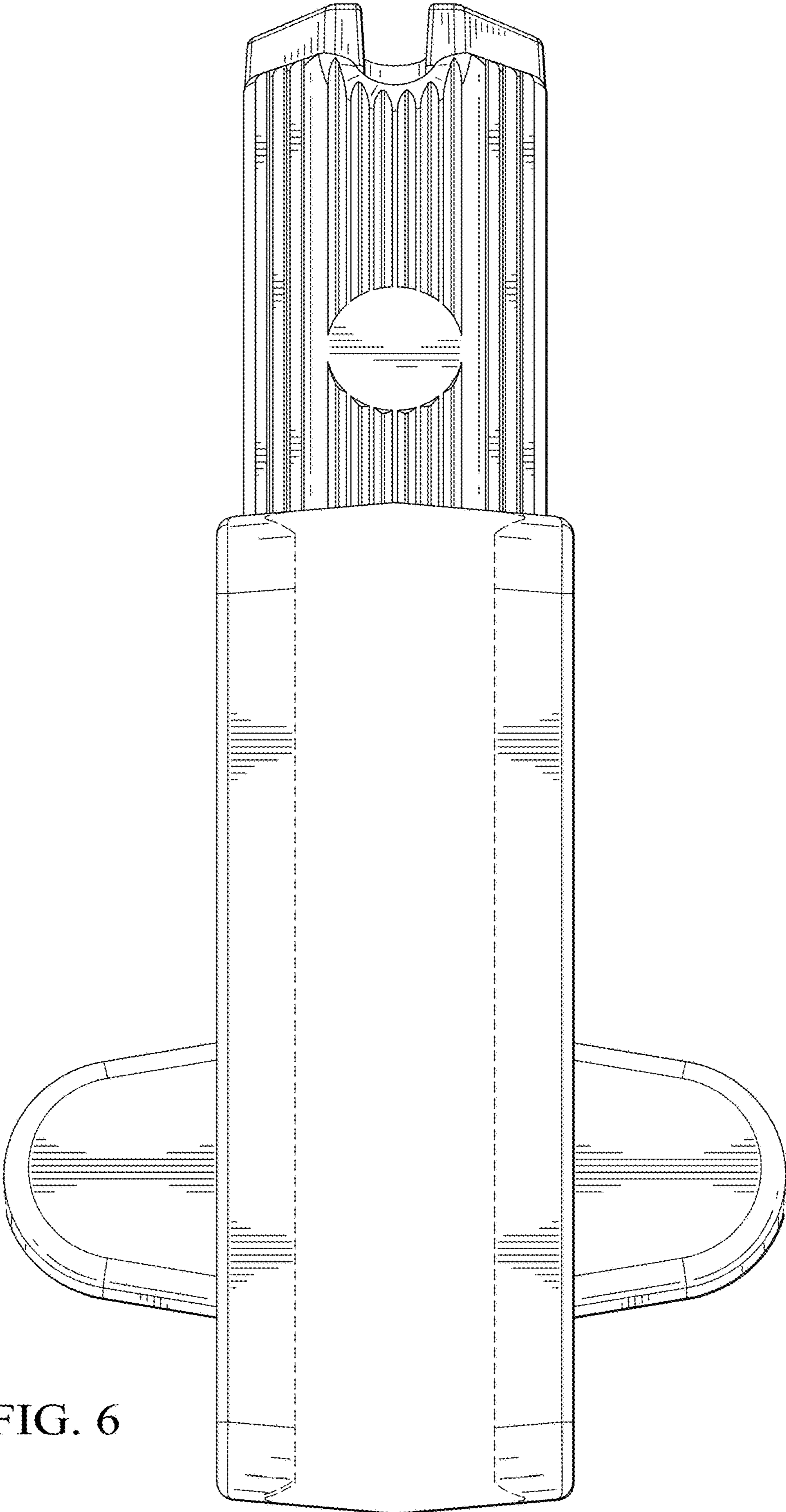


FIG. 6

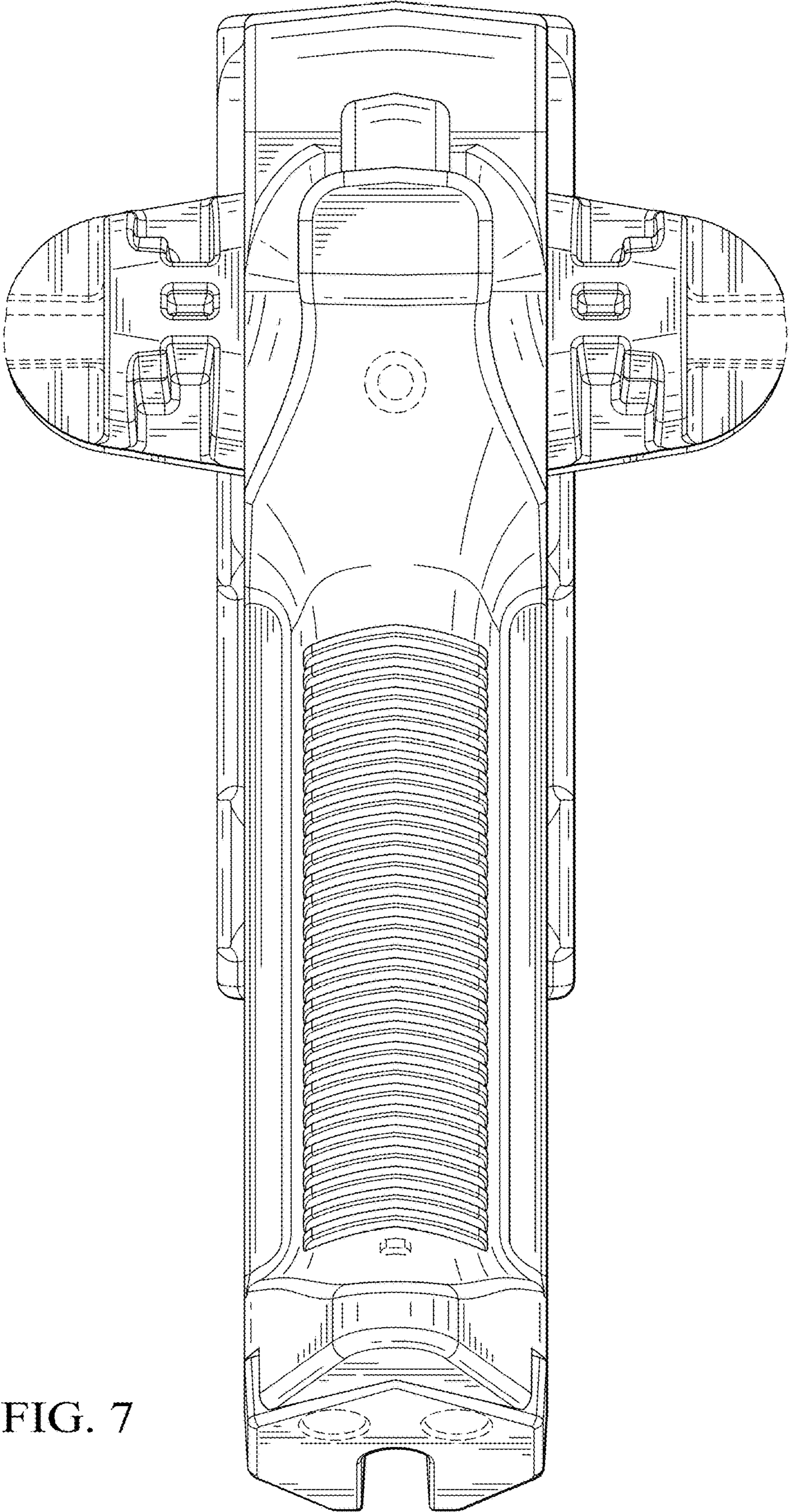


FIG. 7

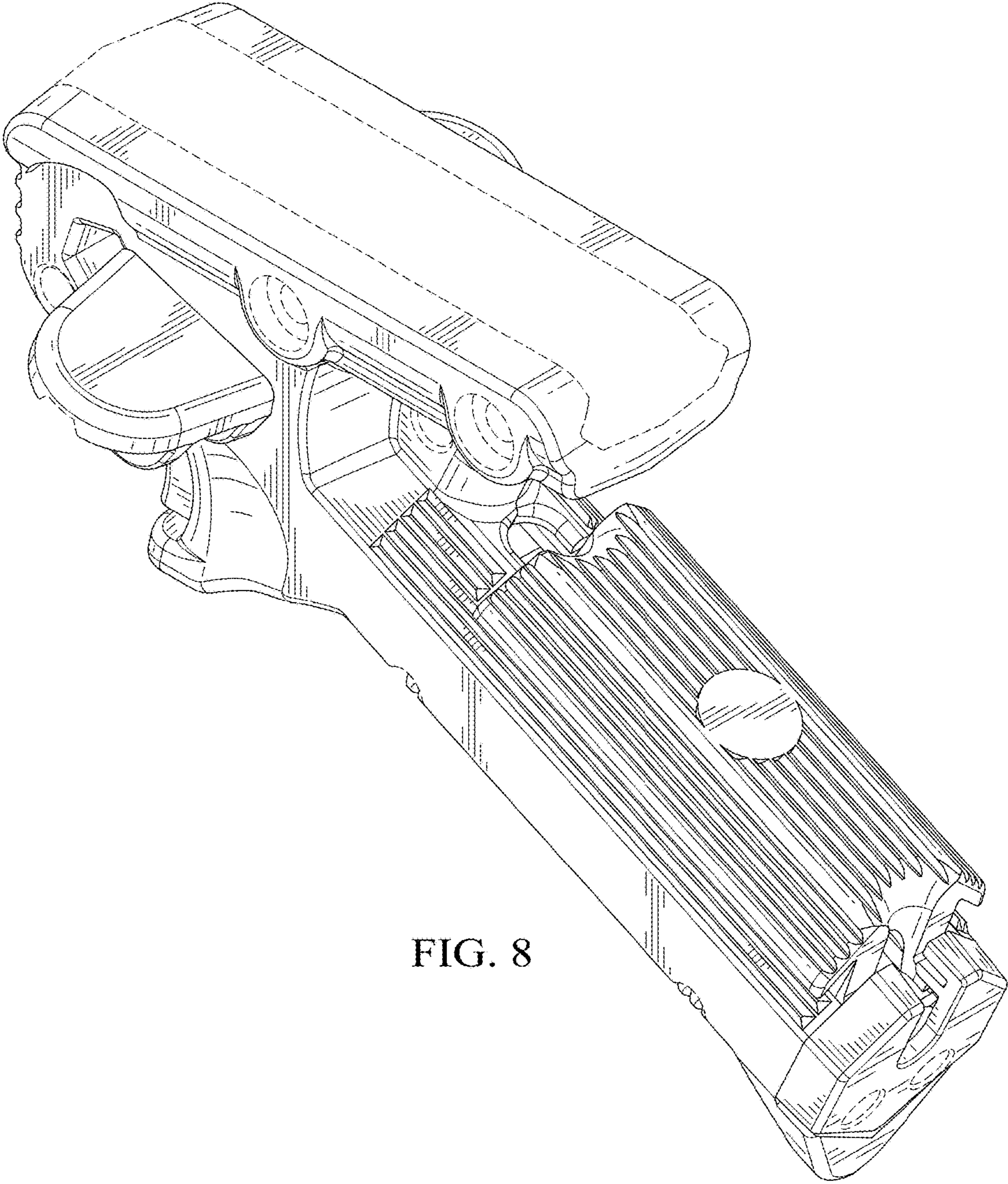


FIG. 8

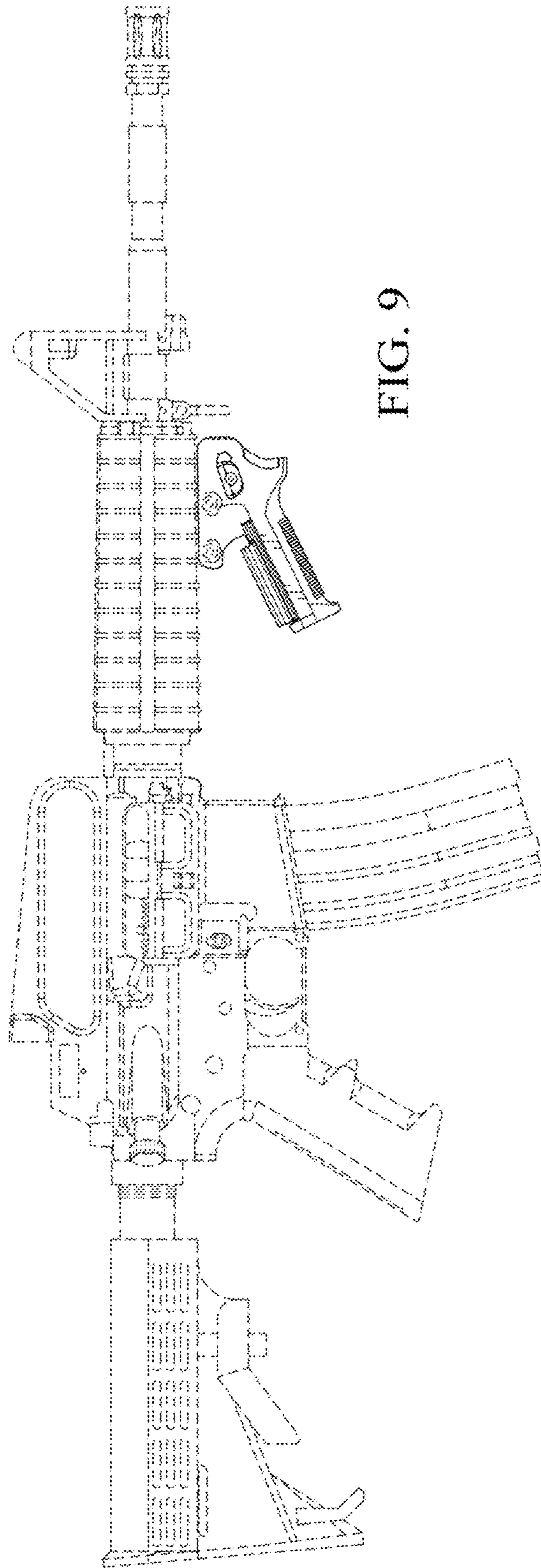


FIG. 9