



US00D842415S

(12) **United States Design Patent**
Oglesby

(10) **Patent No.:** **US D842,415 S**

(45) **Date of Patent:** **** *Mar. 5, 2019**

(54) **FLUTED BARREL**

(71) Applicant: **Paul A. Oglesby**, Darley (GB)

(72) Inventor: **Paul A. Oglesby**, Darley (GB)

(*) Notice: This patent is subject to a terminal disclaimer.

(**) Term: **15 Years**

(21) Appl. No.: **29/597,721**

(22) Filed: **Mar. 20, 2017**

(51) **LOC (11) Cl.** **22-01**

(52) **U.S. Cl.**
USPC **D22/108**

(58) **Field of Classification Search**

USPC D22/100, 101, 103, 104, 108-110;
D7/566; D9/641; D25/126, 128, 129;
215/400; D26/46, 49, 37, 38, 40, 51;
D8/83

CPC F41A 21/325; F41A 21/00; F41A 31/00;
F41A 21/30; F41B 5/00; F41C 27/00

See application file for complete search history.

(56) **References Cited**

U.S. PATENT DOCUMENTS

D279,812 S *	7/1985	Cellini	89/14.3
D349,147 S *	7/1994	Gwinn, Jr.	D22/108
D378,186 S *	2/1997	Braun	D8/107
D393,318 S *	4/1998	Wolter	D24/133
6,425,310 B1 *	7/2002	Champion	F41A 21/30
			89/14.3
D471,096 S *	3/2003	Thorne	D9/641
D473,961 S *	4/2003	Galli	D26/49
D557,844 S *	12/2007	Shiu	D26/44
D577,843 S *	9/2008	Couture	D26/49
D606,687 S *	12/2009	Kim	D26/46

(Continued)

OTHER PUBLICATIONS

Volquartsen I-Fluted Barrel, MidwayUSA.com, [online], [site visited Apr. 16, 2018]. <URL: <https://www.midwayusa.com/product/>

1018548415/volquartsen-i-fluted-barrel-s-and-w-sw22-victory-22-long-rifle-6-1-2-28-threaded-muzzle-with-forward-blow-comp-stainless-steel> (Year: 2018).*

(Continued)

Primary Examiner — T Chase Nelson

Assistant Examiner — Jonathan J. Han

(74) *Attorney, Agent, or Firm* — Shaddock Law Group, PC

(57) **CLAIM**

The ornamental design for a fluted barrel, as shown and described.

DESCRIPTION

FIG. 1 is an upper, right, front perspective view of an exemplary embodiment of the fluted barrel, showing my design;

FIG. 2 is an upper, left, front perspective view thereof;

FIG. 3 is an upper, right, rear perspective view thereof;

FIG. 4 is an upper, left, rear perspective view thereof;

FIG. 5 is a right side view thereof;

FIG. 6 is a left side view thereof;

FIG. 7 is a top plan view thereof;

FIG. 8 is a bottom plan view thereof;

FIG. 9 is a front, cross-sectional view taken along line 9-9 of FIG. 5;

FIG. 10 is a front, cross-sectional view taken along line 10-10 of FIG. 5;

FIG. 11 is a front, cross-sectional view taken along line 11-11 of FIG. 5;

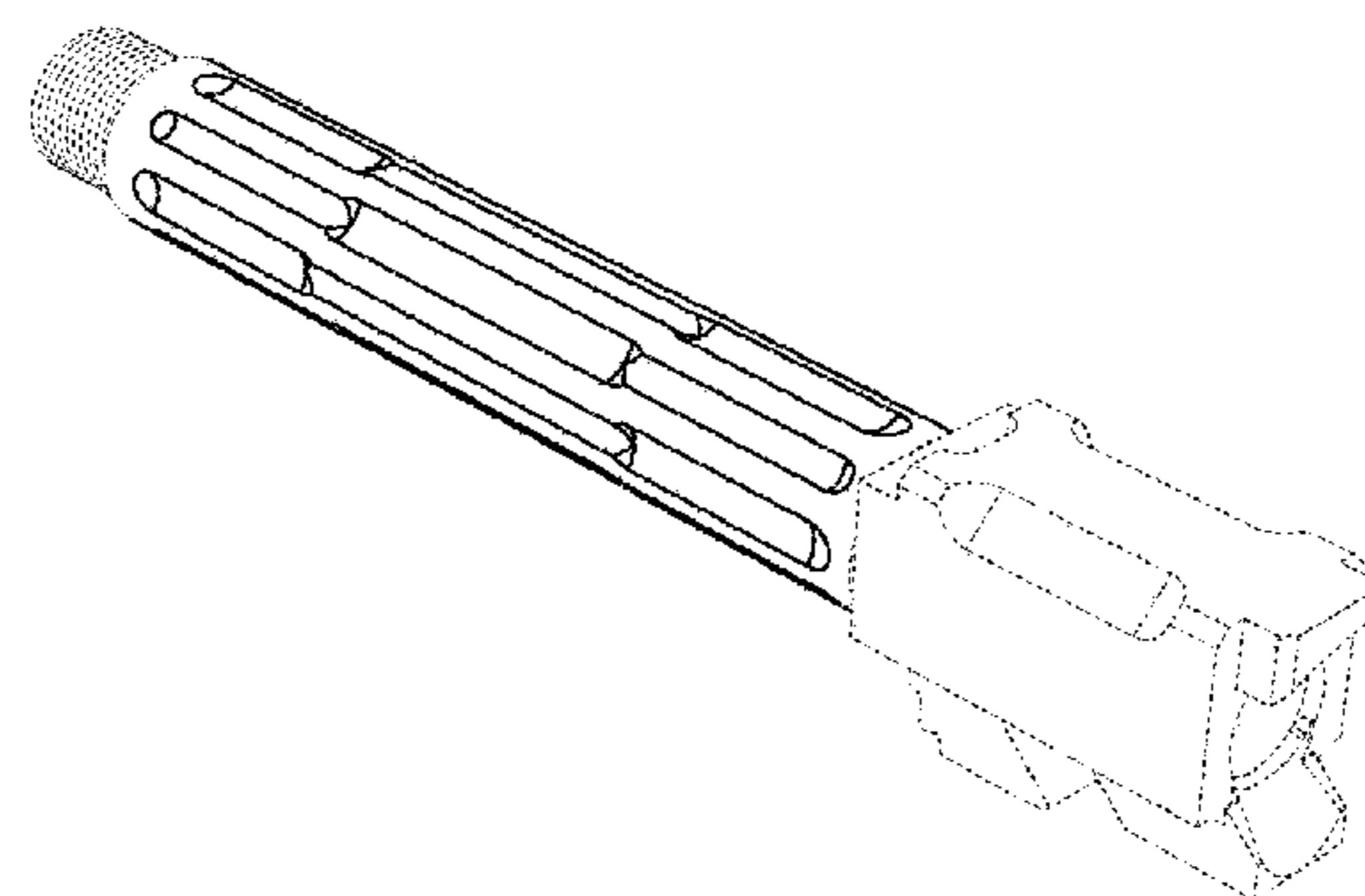
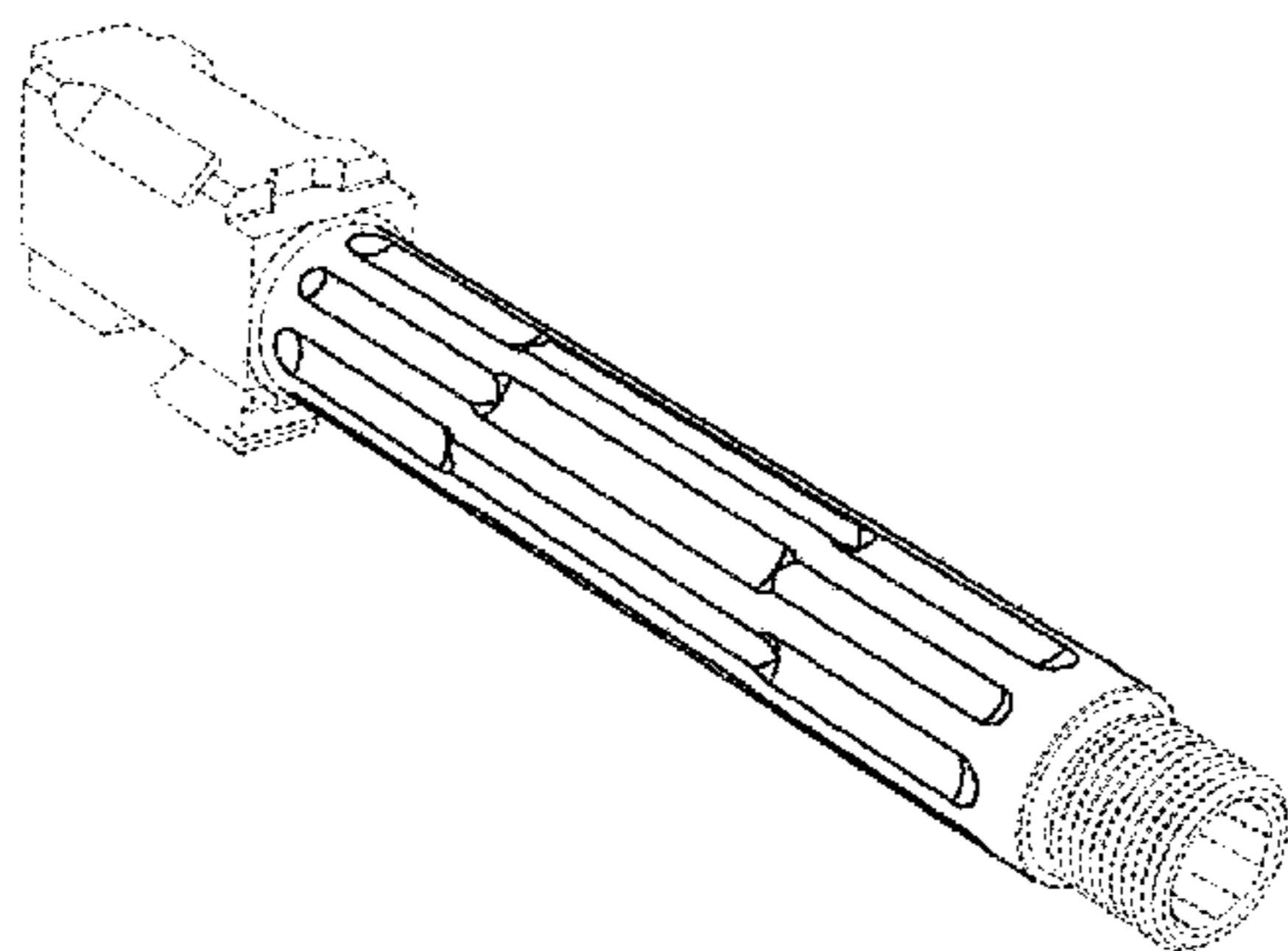
FIG. 12 is a rear, cross-sectional view taken along line 12-12 of FIG. 6;

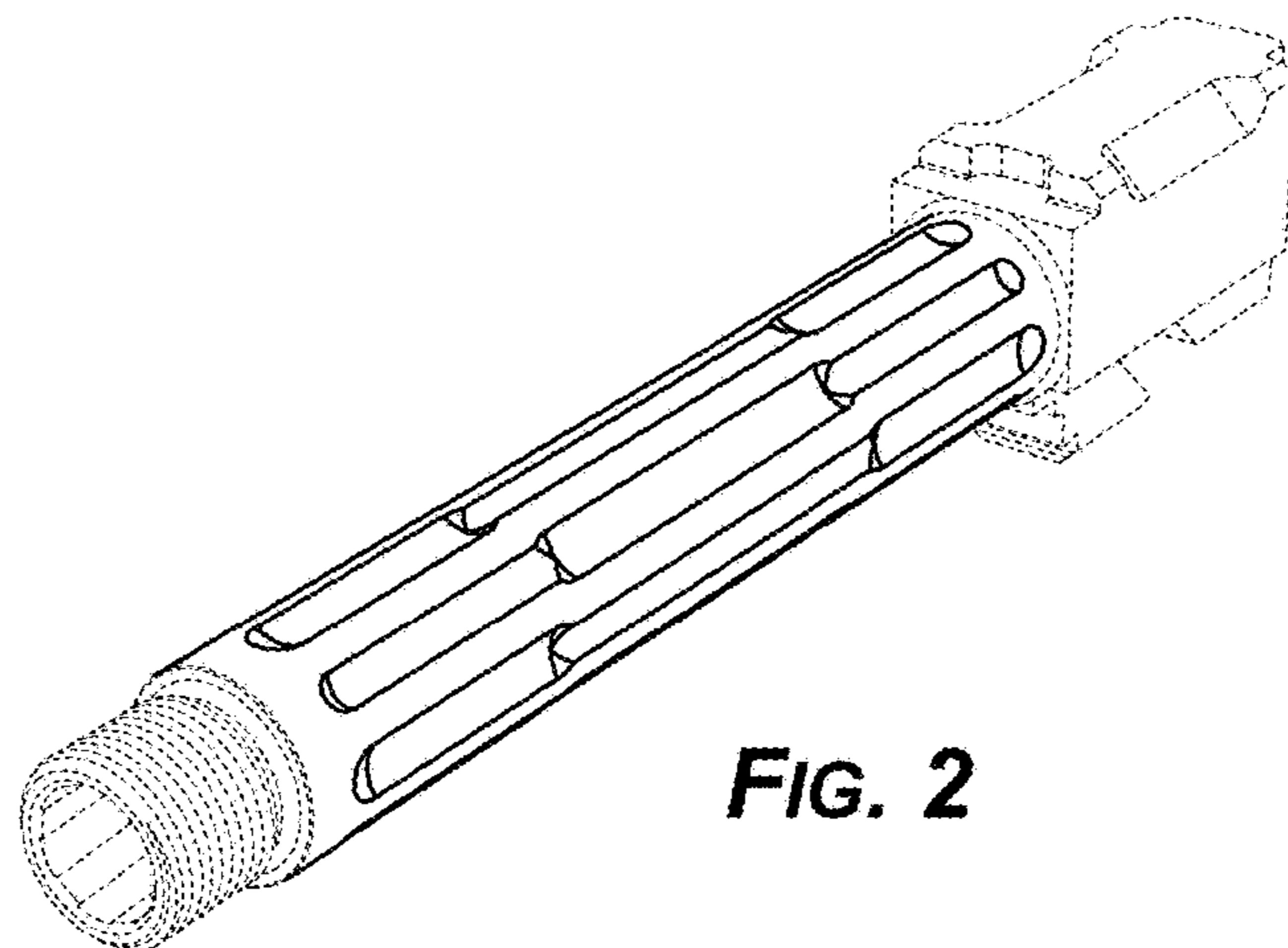
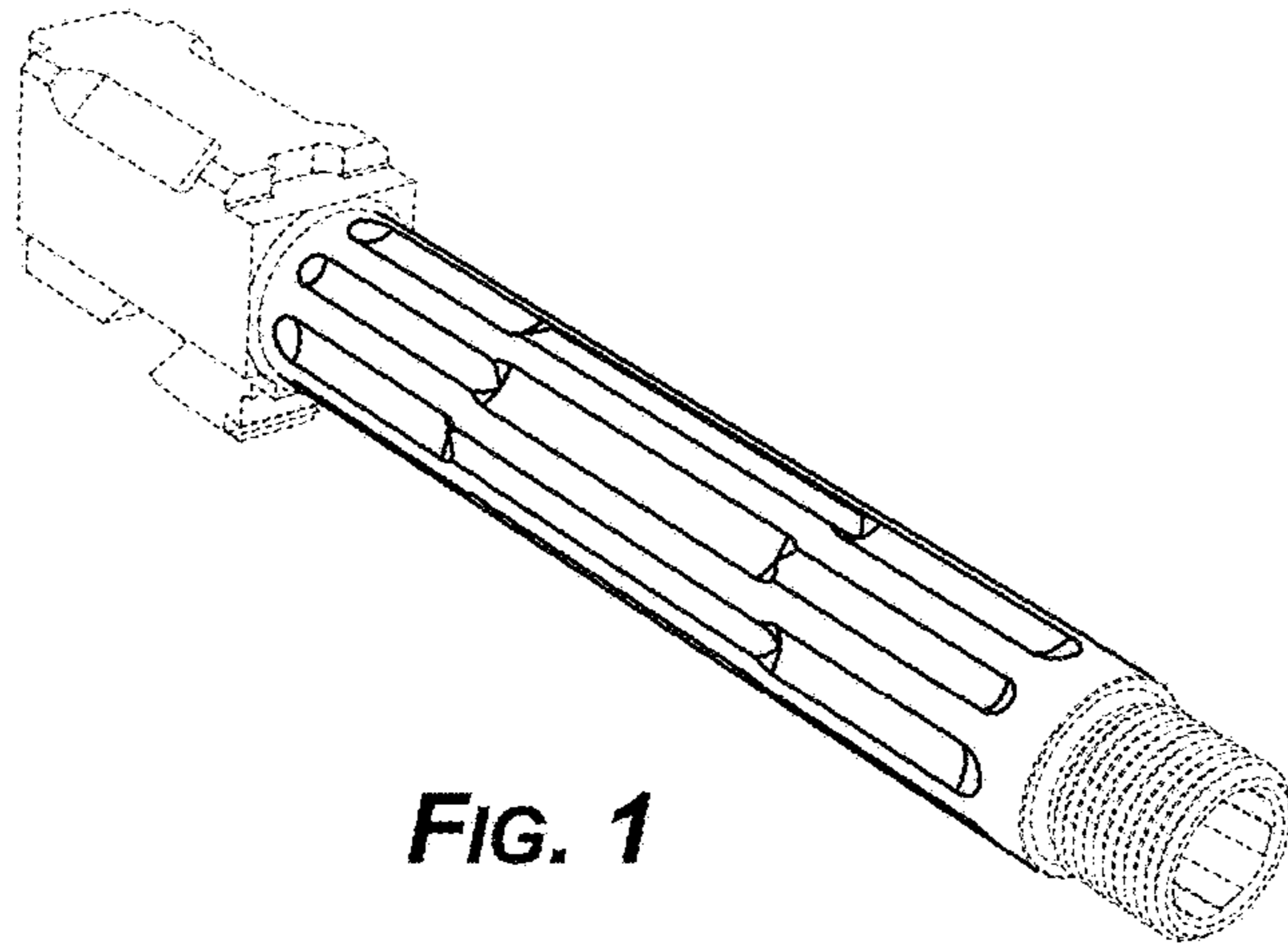
FIG. 13 is a rear, cross-sectional view taken along line 13-13 of FIG. 6; and,

FIG. 14 is a rear, cross-sectional view taken along line 14-14 of FIG. 6.

The broken lines shown throughout the various figures depict additional structures that form no part of the claimed design.

1 Claim, 6 Drawing Sheets





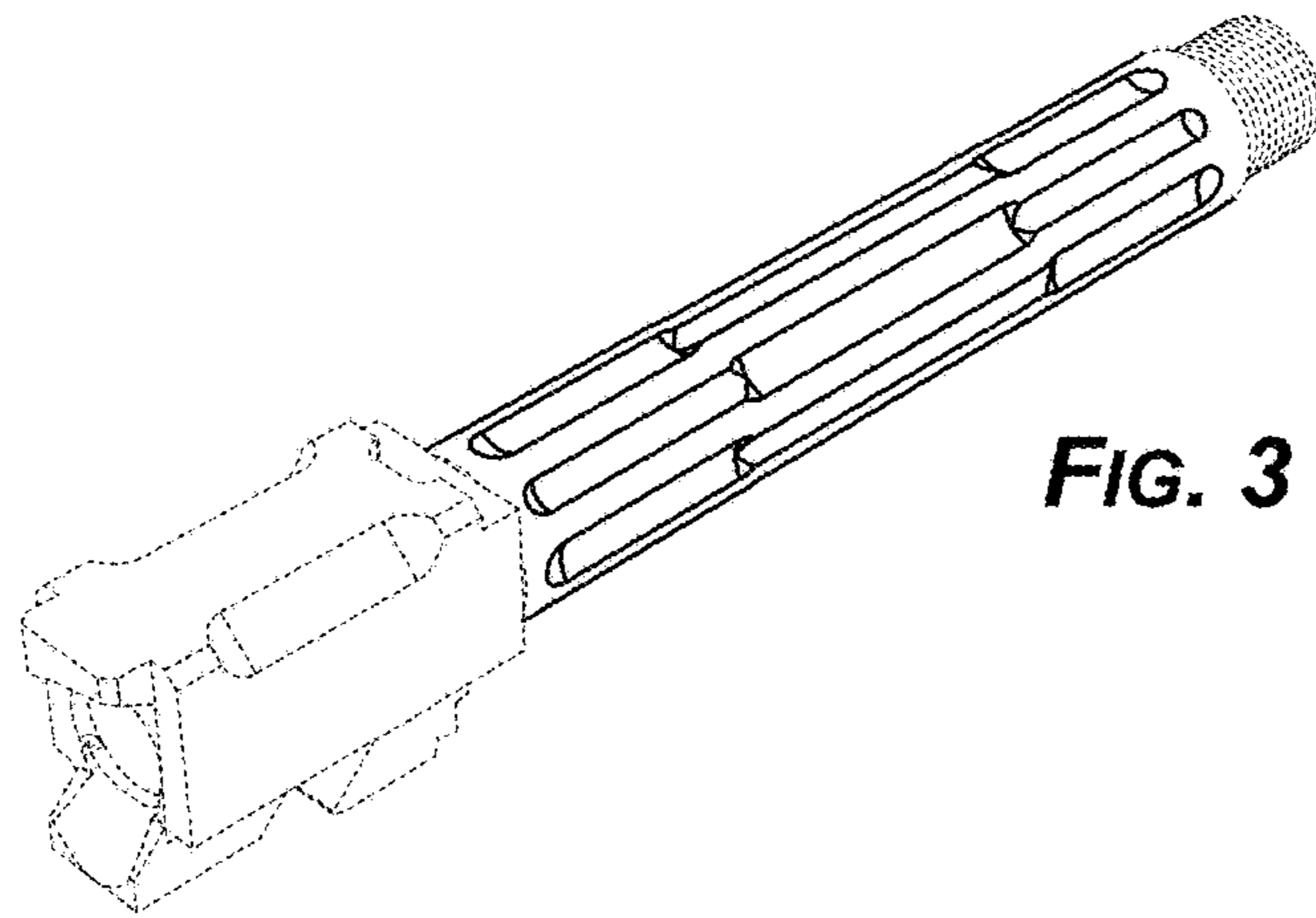


FIG. 3

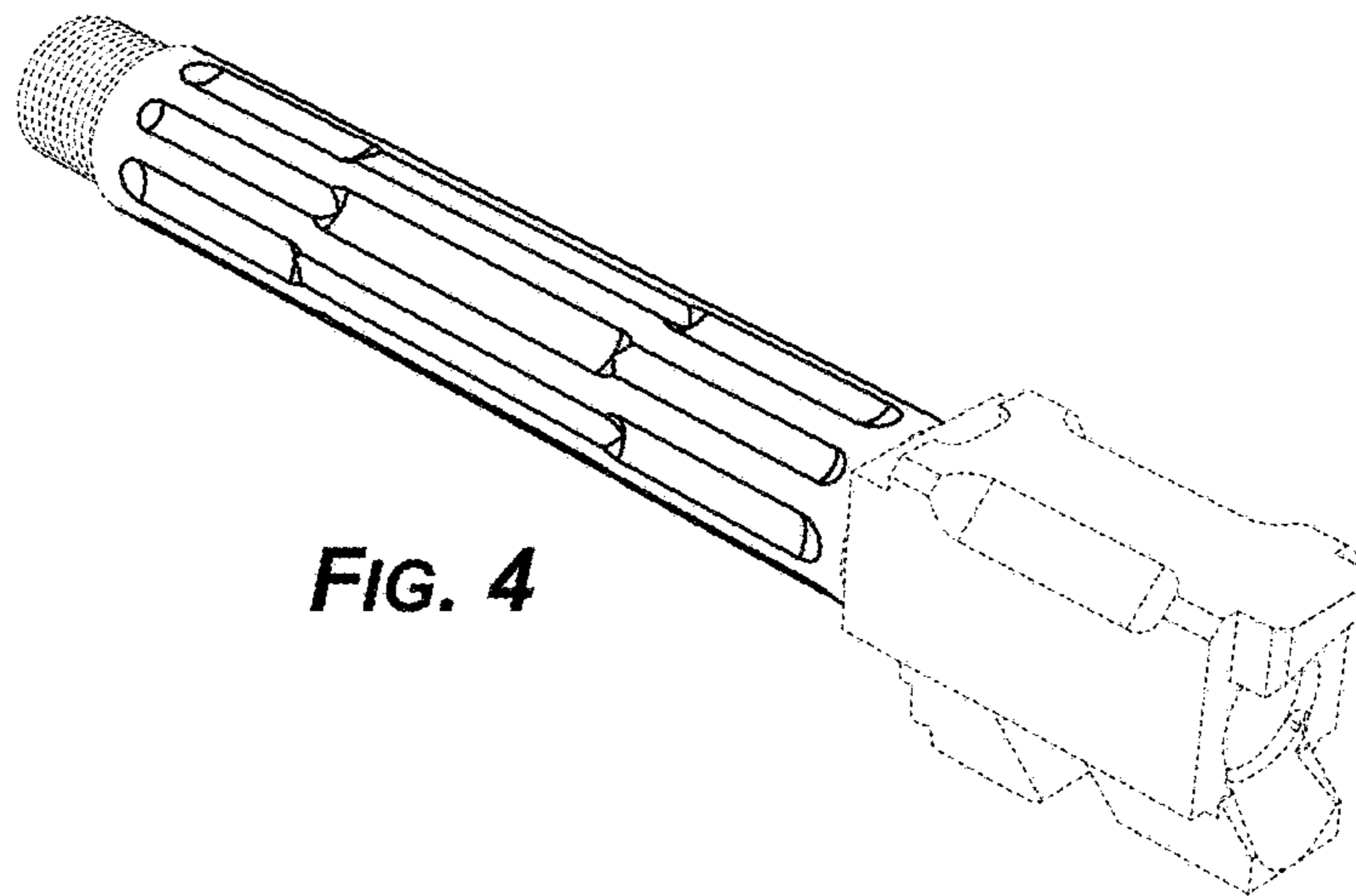


FIG. 4

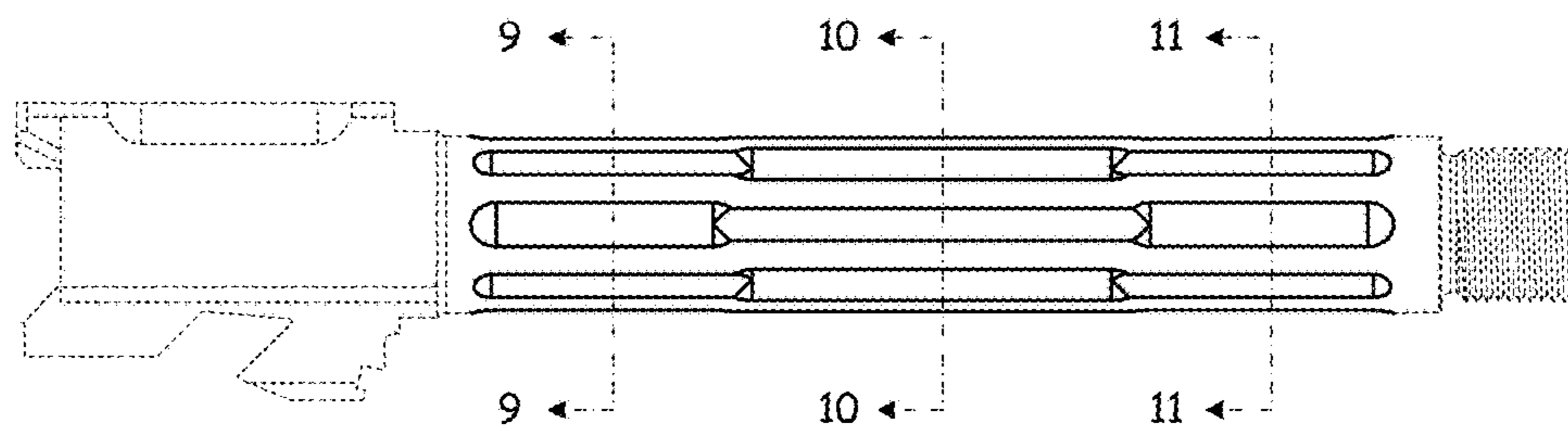


FIG. 5

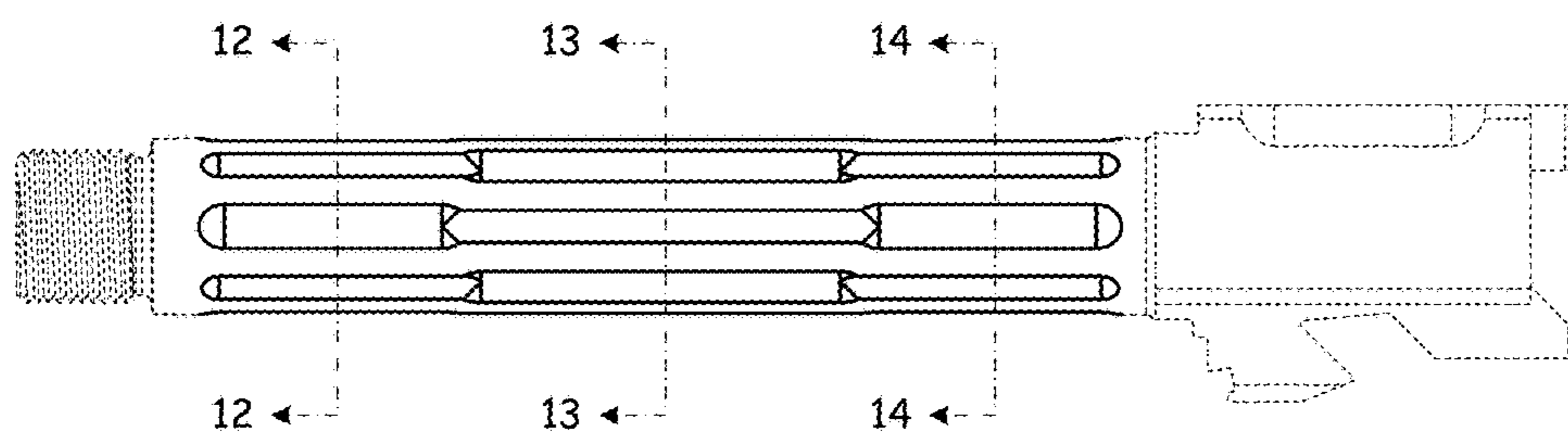


FIG. 6

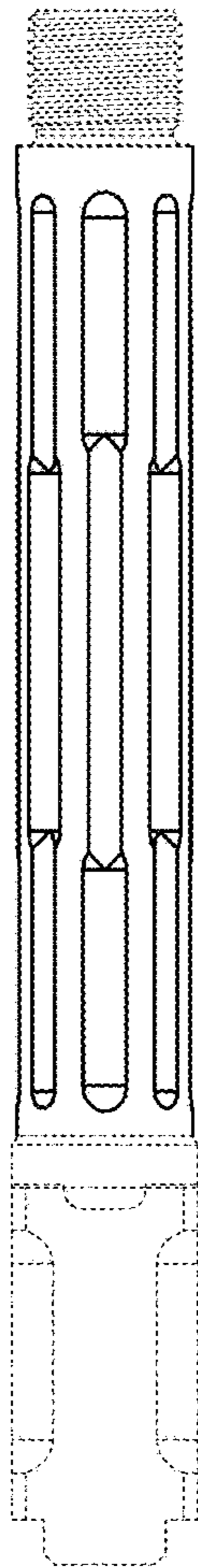


FIG. 7

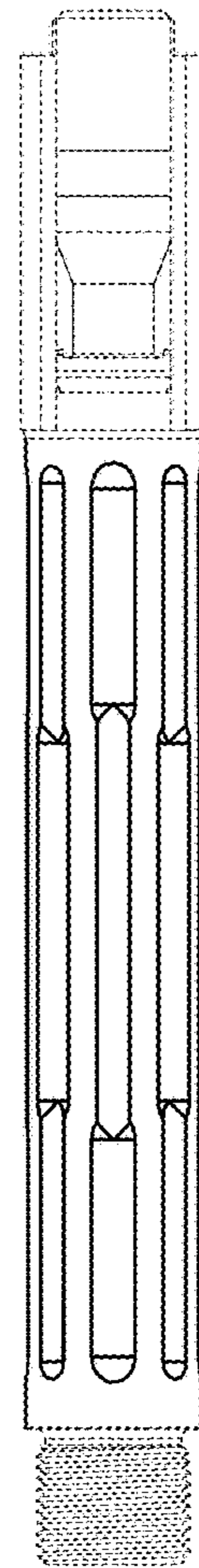


FIG. 8

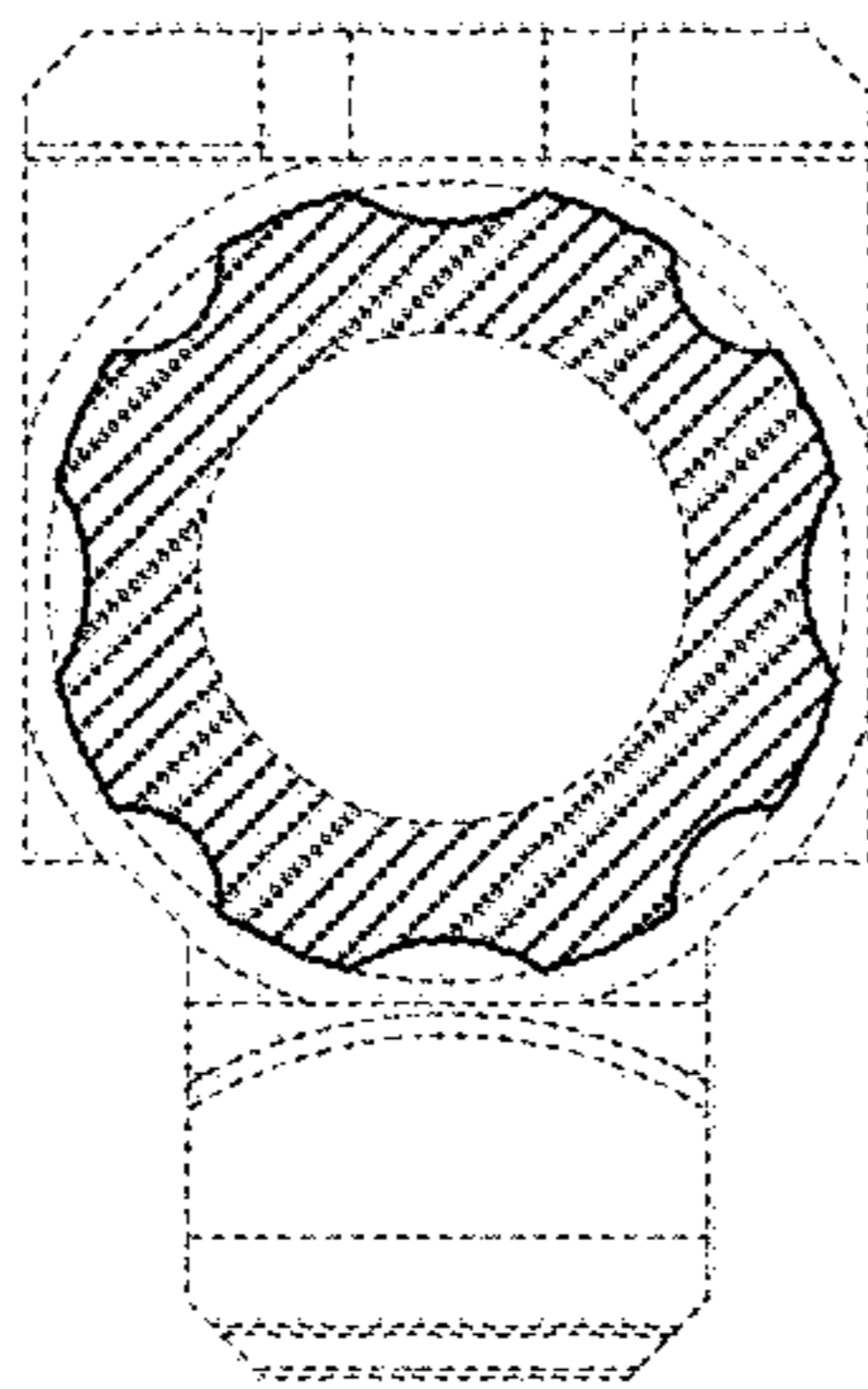


FIG. 9

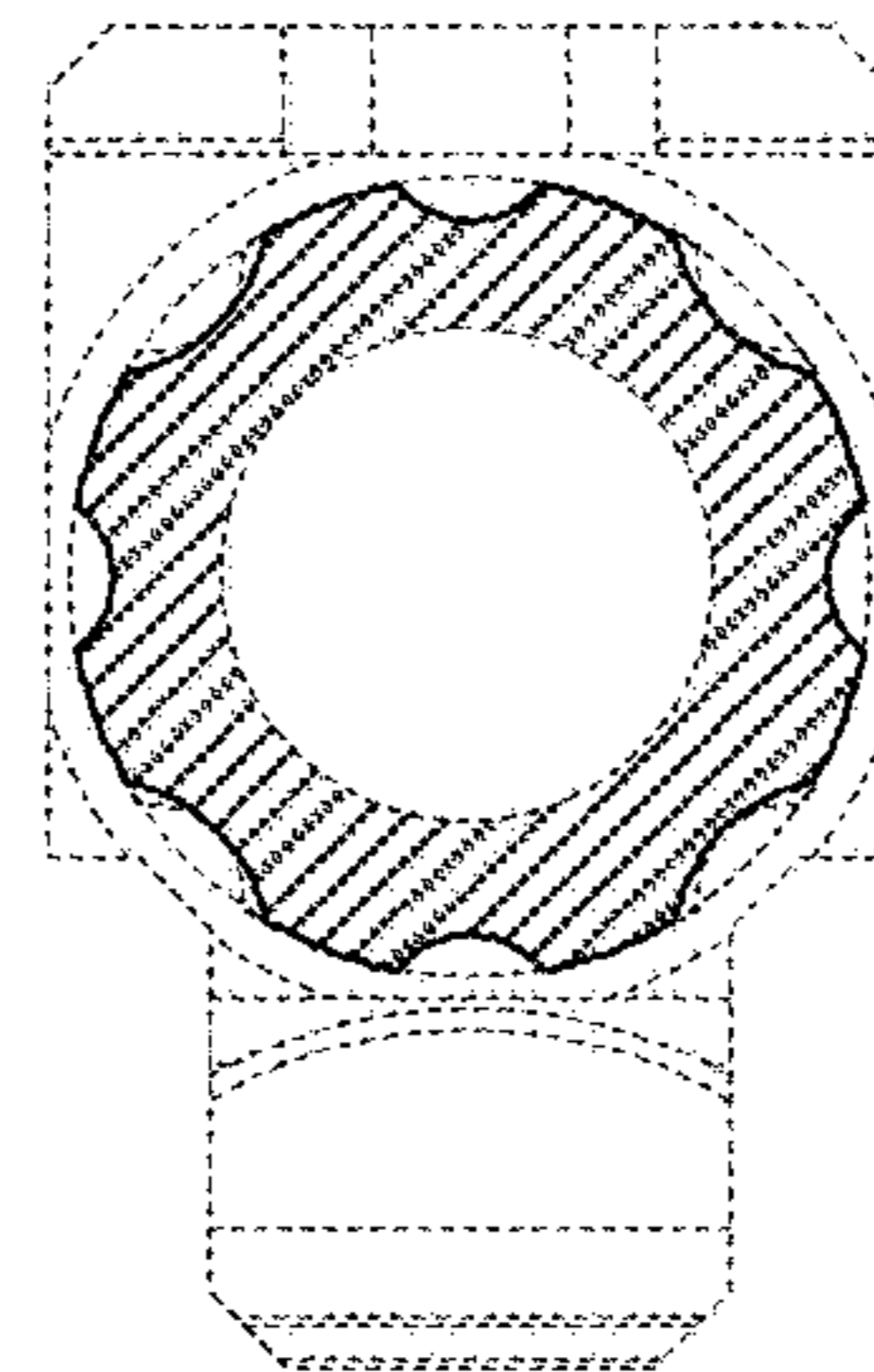


FIG. 10

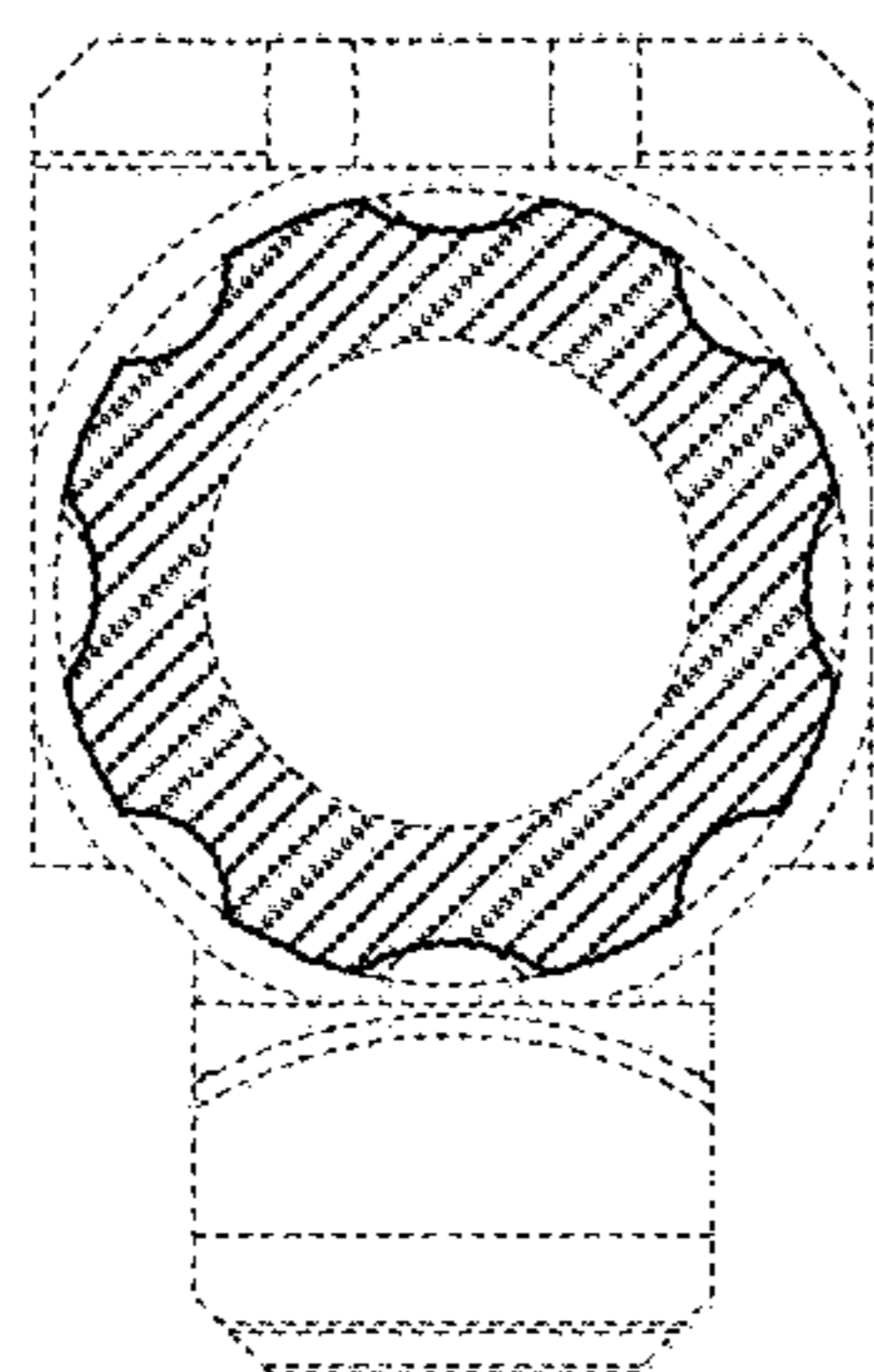


FIG. 11

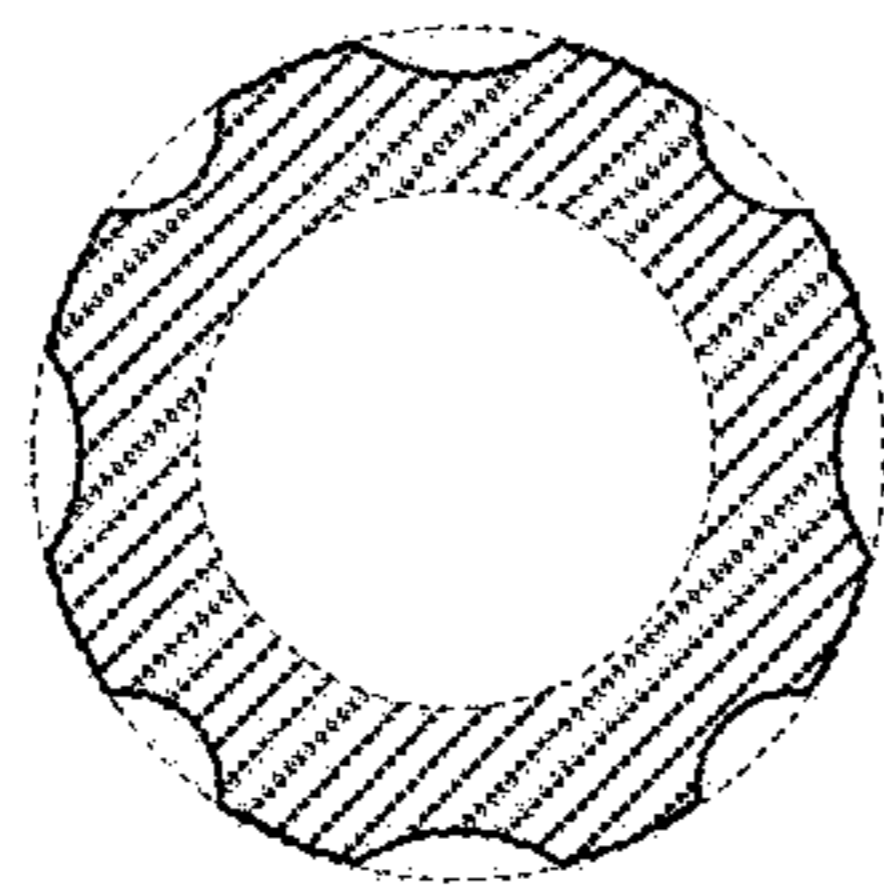


FIG. 12

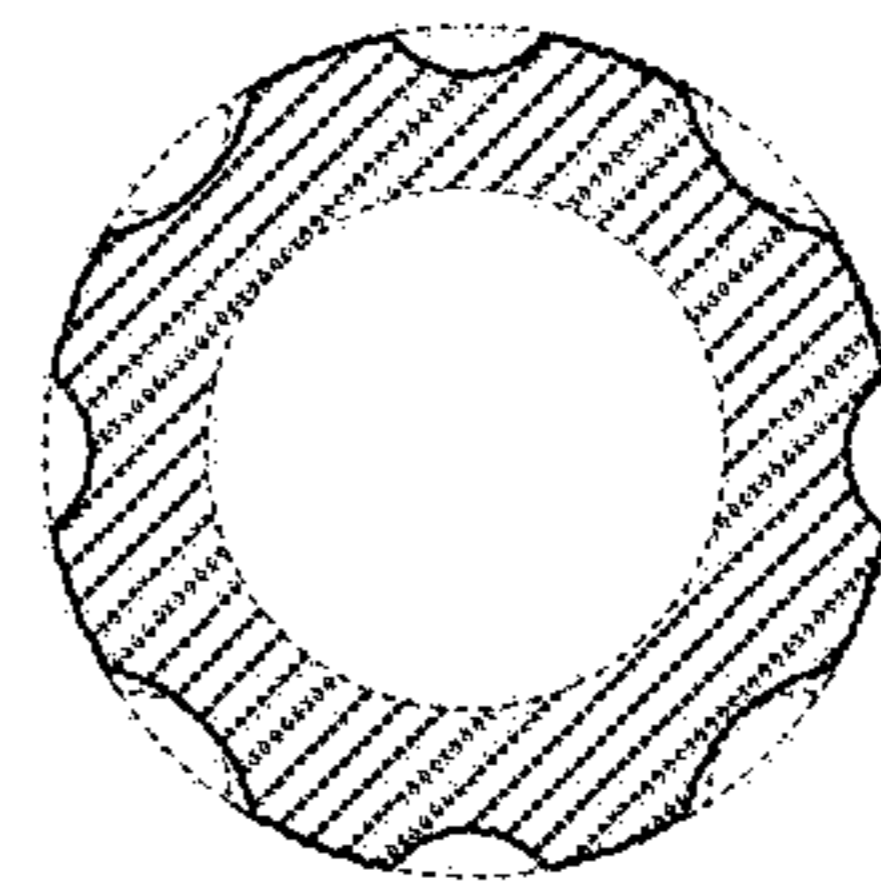


FIG. 13

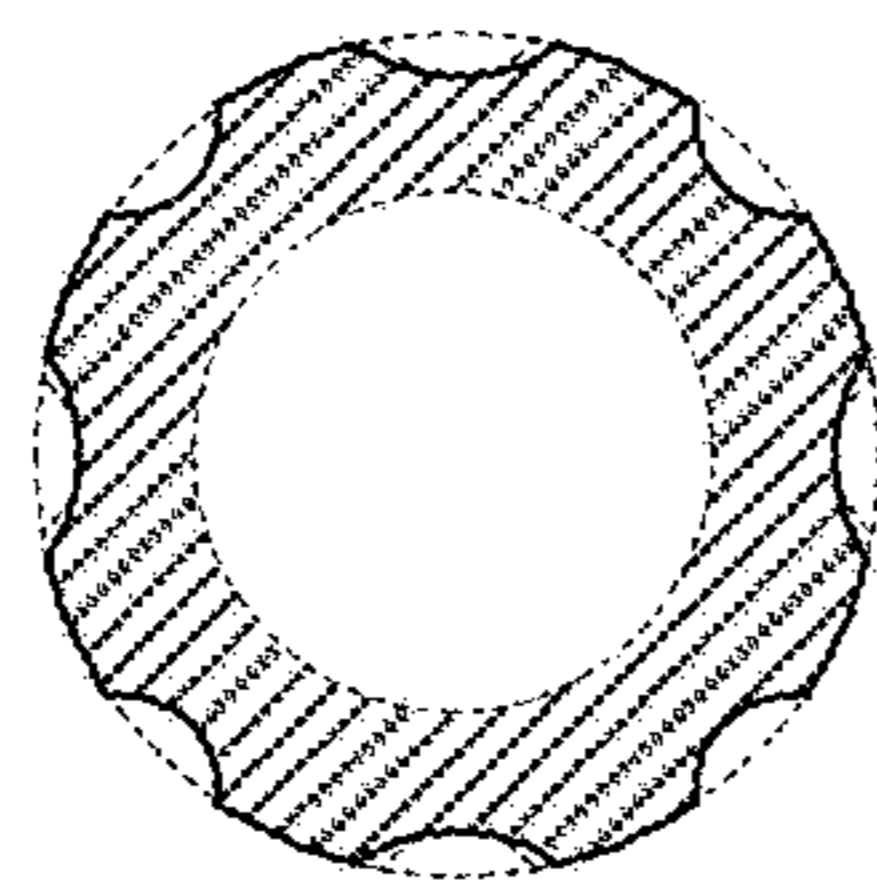


FIG. 14