



US00D842412S

(12) **United States Design Patent**
Conti et al.

(10) **Patent No.:** **US D842,412 S**

(45) **Date of Patent:** **** Mar. 5, 2019**

(54) **SWIMFIN**

(71) Applicant: **Alexandre Conti**, Rio de Janeiro (BR)

(72) Inventors: **Alexandre Conti**, Rio de Janeiro (BR);
Augusto Conti, Rio de Janeiro (BR)

(73) Assignee: **Alexandre Conti**, Rio de Janeiro (BR)

(**) Term: **15 Years**

(21) Appl. No.: **29/597,727**

(22) Filed: **Mar. 20, 2017**

(30) **Foreign Application Priority Data**

Sep. 21, 2016 (BR) 30 2016 004201

(51) **LOC (11) Cl.** **21-02**

(52) **U.S. Cl.**
USPC **D21/806**

(58) **Field of Classification Search**
USPC D21/806-807
CPC A63B 31/11; A63B 2031/115; A63B
2031/112; A63B 31/10
See application file for complete search history.

(56) **References Cited**

U.S. PATENT DOCUMENTS

D233,247 S * 10/1974 Tabata D21/806
4,627,820 A * 12/1986 Penebre A63B 31/11
441/64
4,752,259 A * 6/1988 Tackett A63B 31/11
441/64
4,887,985 A * 12/1989 Garofalo A63B 31/11
264/273
5,304,081 A * 4/1994 Takizawa A63B 31/11
441/64

D363,105 S * 10/1995 Parr D21/806
D377,073 S * 12/1996 Chang D21/806
D393,684 S * 4/1998 Lin D21/809
D423,623 S * 4/2000 Evans D21/806
6,227,924 B1 * 5/2001 Miller A63B 31/11
441/64
6,364,728 B1 * 4/2002 Viale A63B 31/11
441/64
D490,136 S * 5/2004 Godoy D21/806
7,086,916 B2 * 8/2006 Godoy A63B 31/11
441/64
7,159,336 B2 * 1/2007 Burns A63B 31/11
36/8.1
D685,050 S * 6/2013 O'Doherty D21/806
D685,444 S * 7/2013 Lin D21/806

* cited by examiner

Primary Examiner — Garth Rademaker

Assistant Examiner — Melvin L Davis

(74) *Attorney, Agent, or Firm* — Panitch Schwarze
Belisario & Nadel LLP

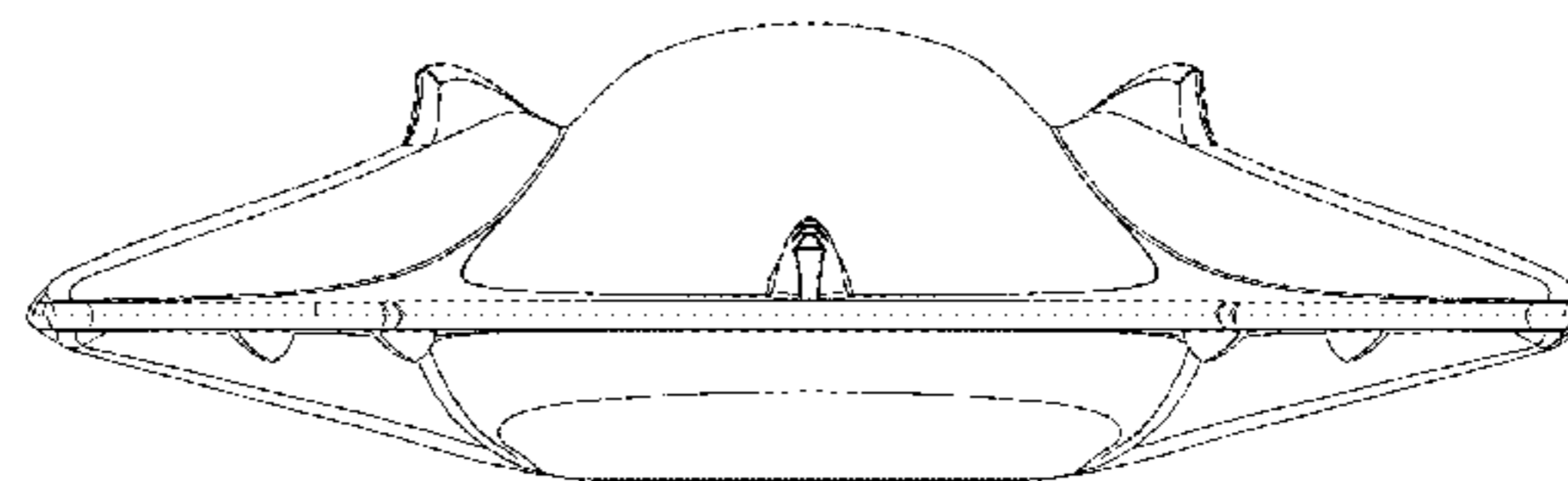
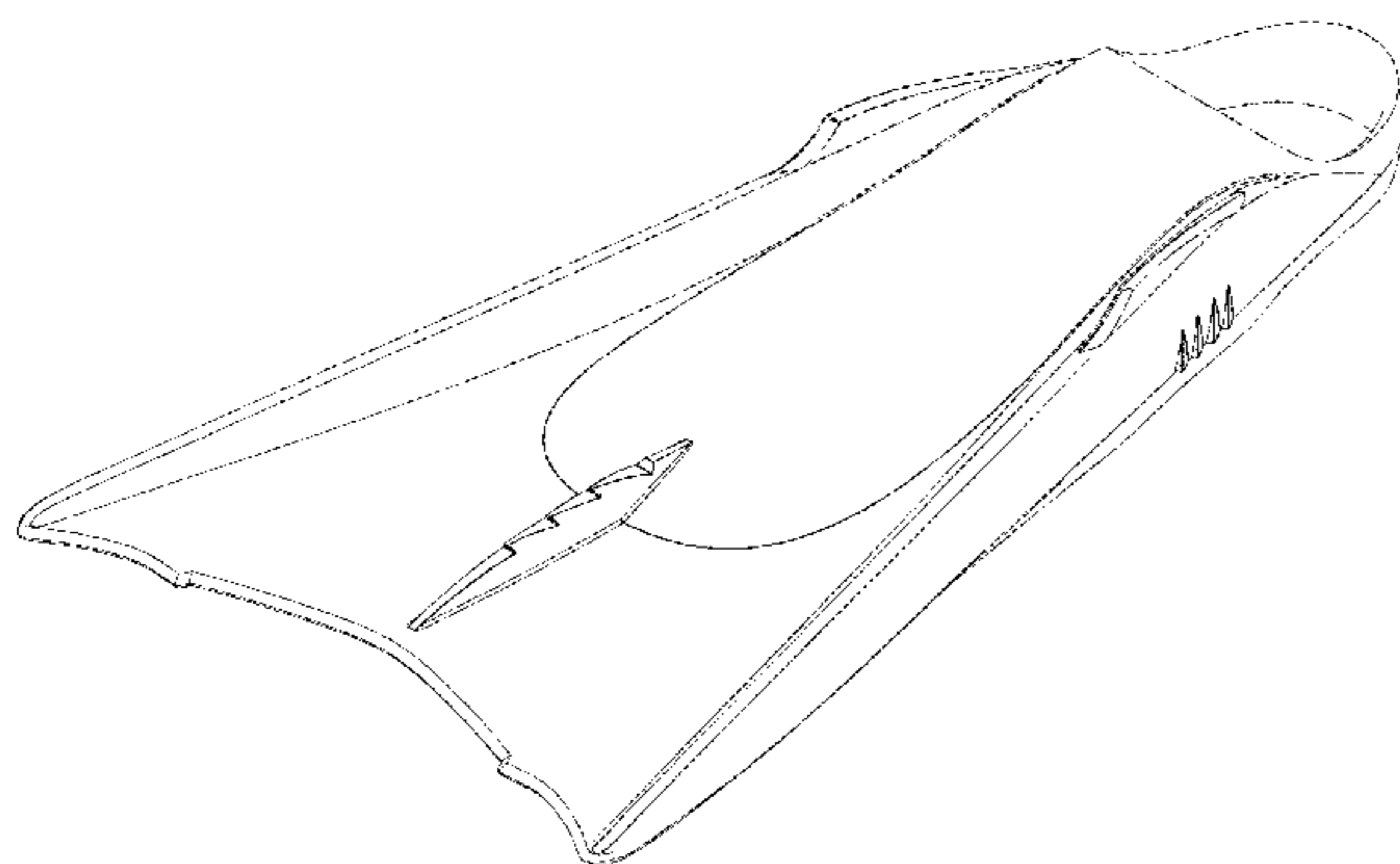
(57) **CLAIM**

The ornamental design for a swimfin, as shown and described.

DESCRIPTION

FIG. 1 is a top perspective view of a swimfin in accordance with my new design;
FIG. 2 is a top plan view thereof;
FIG. 3 is a bottom plan view thereof;
FIG. 4 is a right side elevation view thereof, the left side elevation being a mirror thereof;
FIG. 5 is a front elevational view thereof; and,
FIG. 6 is a rear elevational view thereof.
The broken lines in the drawings depict portions of the swimfin that form no part of the claimed design.

1 Claim, 6 Drawing Sheets



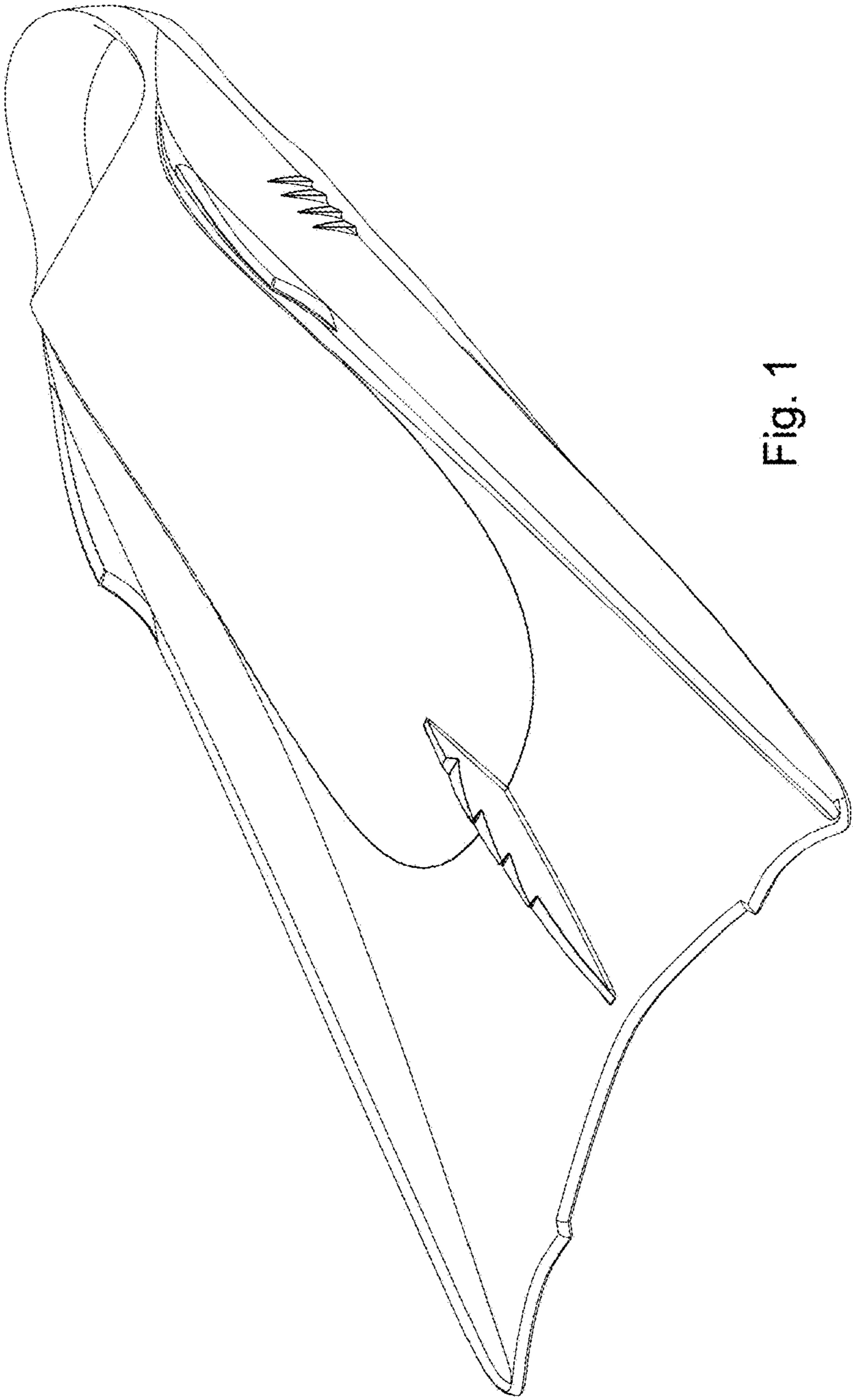


Fig. 1

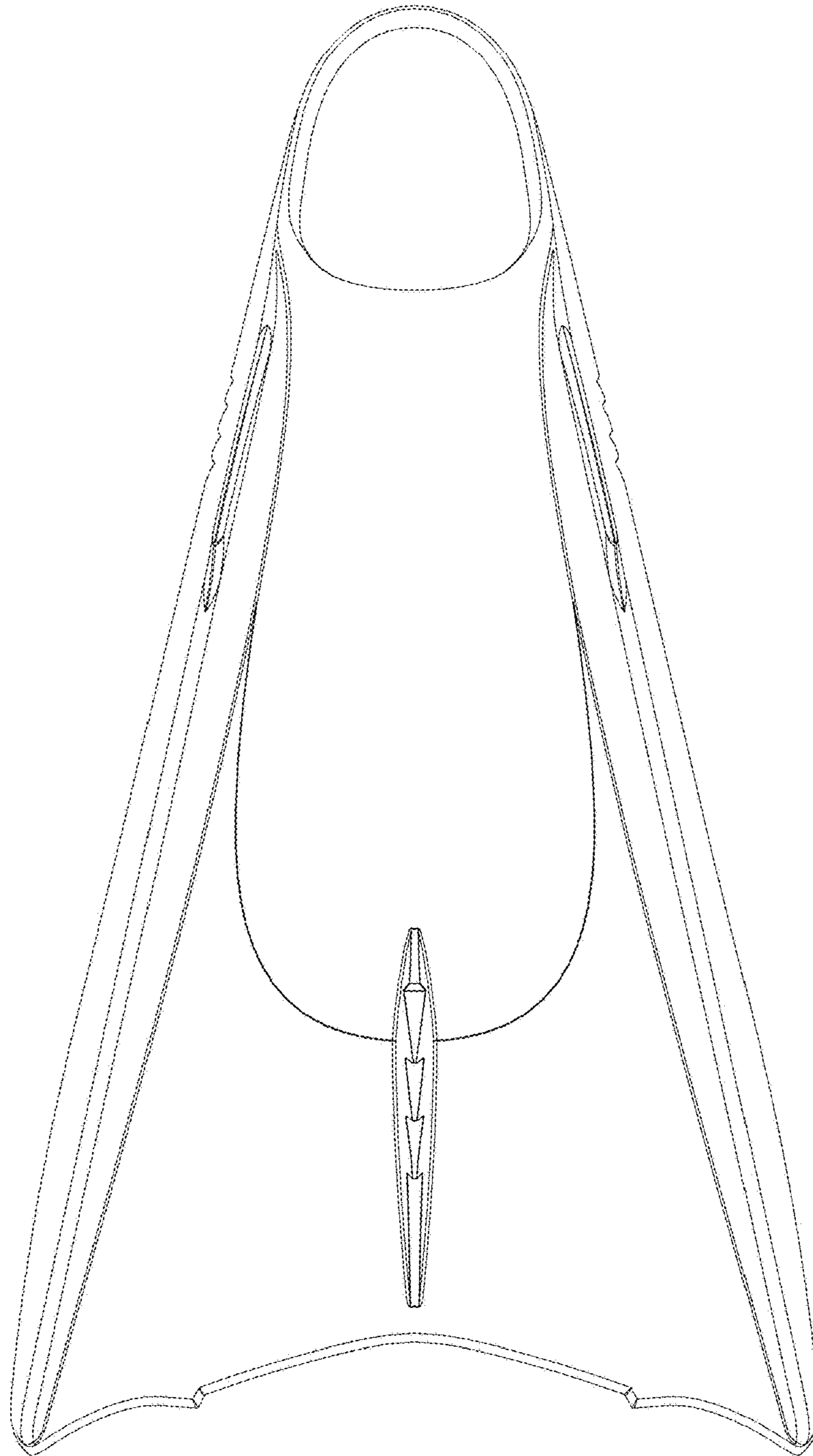


Fig. 2

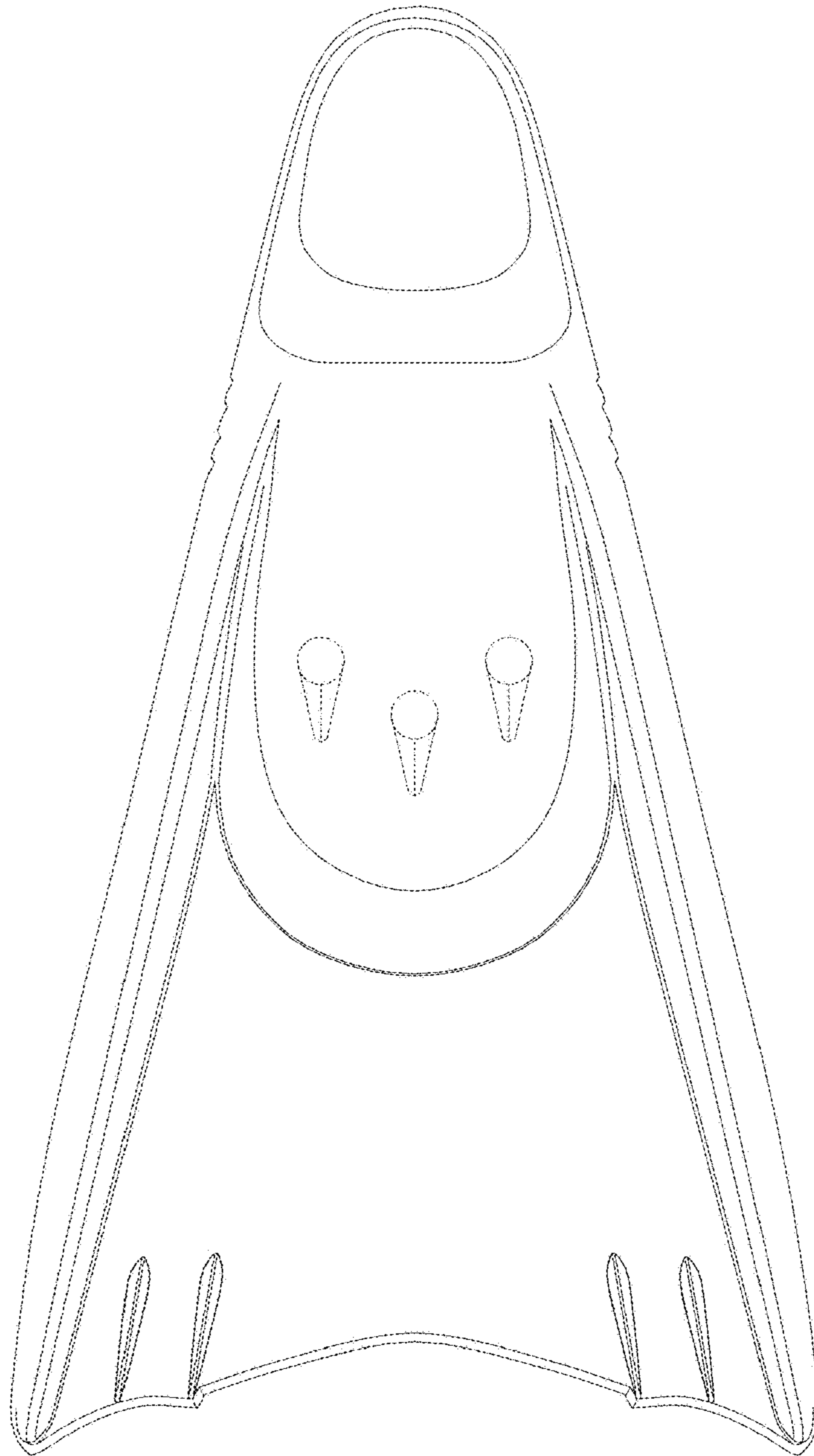


Fig. 3

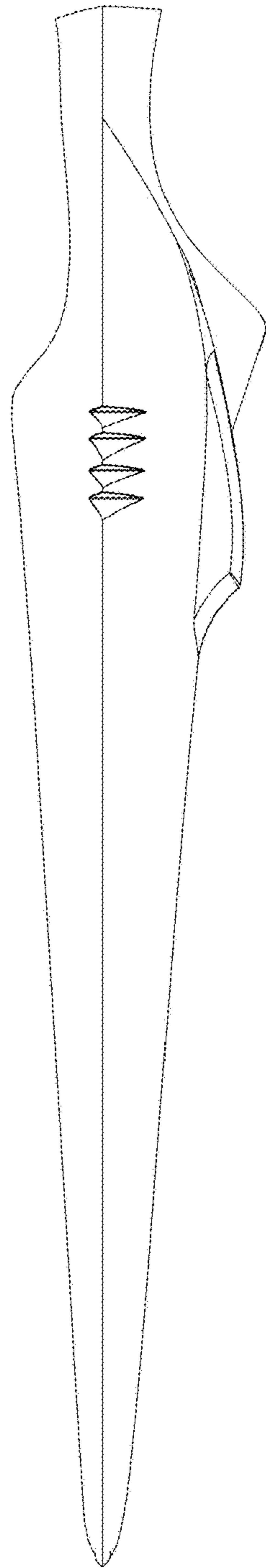


Fig. 4

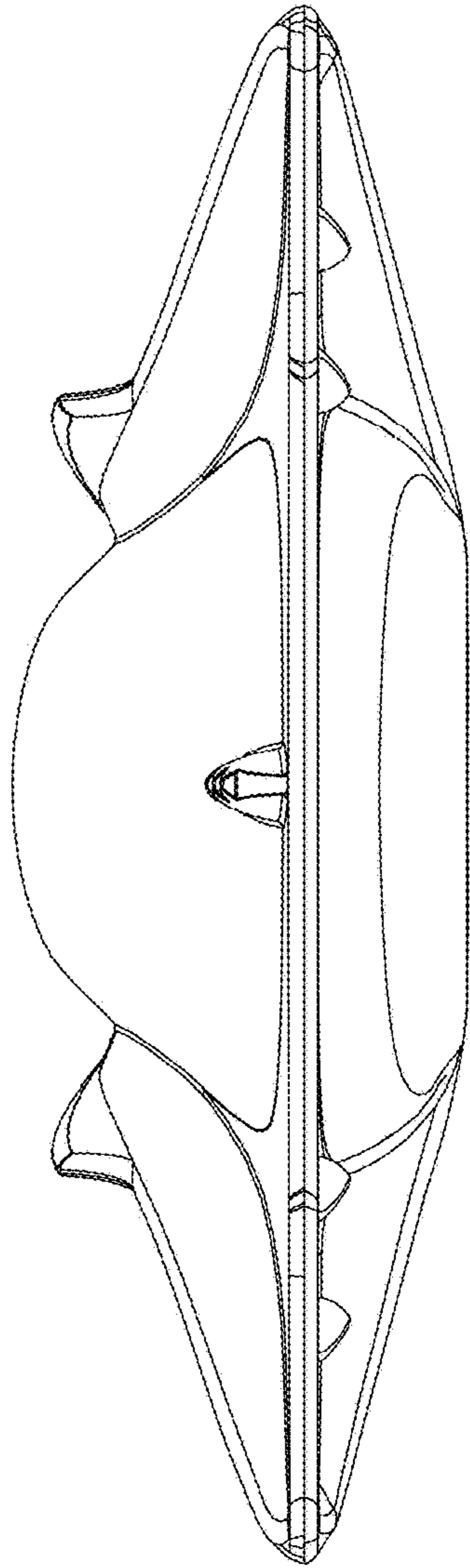


Fig. 5

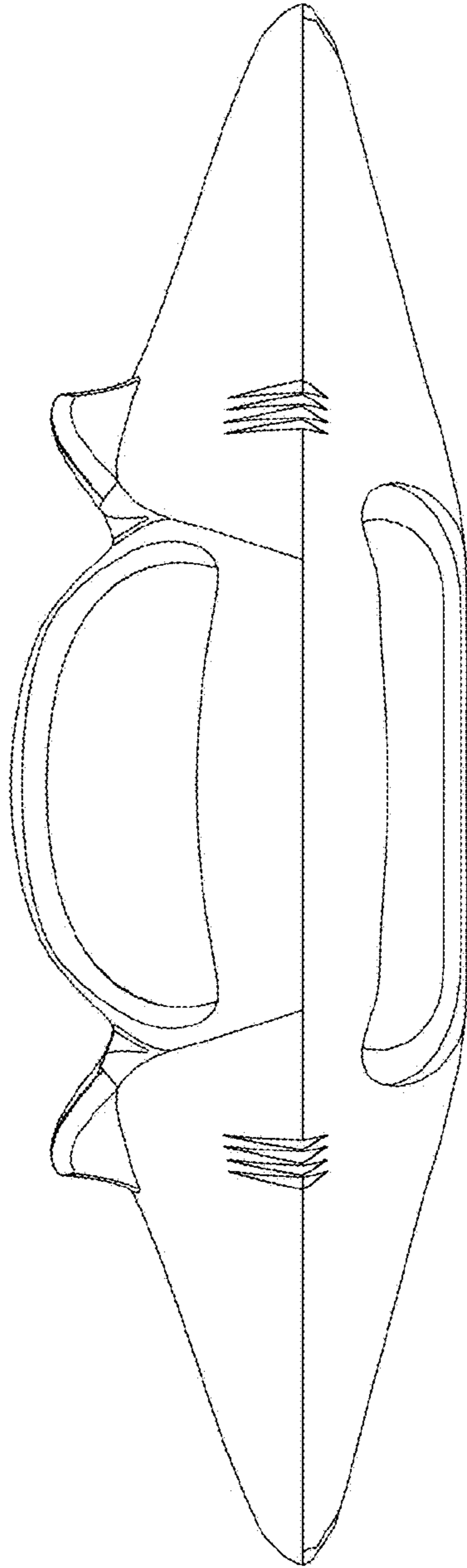


Fig. 6