

US00D842410S

(12) **United States Design Patent**  
**O'Loughlin**

(10) **Patent No.:** **US D842,410 S**

(45) **Date of Patent:** **\*\* Mar. 5, 2019**

(54) **BALL CAPTURE DEVICE**

(71) Applicant: **Robert F. O'Loughlin**, Madison, WI  
(US)

(72) Inventor: **Robert F. O'Loughlin**, Madison, WI  
(US)

(\*\*) Term: **15 Years**

(21) Appl. No.: **29/574,348**

(22) Filed: **Aug. 15, 2016**

(51) **LOC (11) Cl.** ..... **21-02**

(52) **U.S. Cl.**  
USPC ..... **D21/790**

(58) **Field of Classification Search**  
USPC ..... D21/302, 303, 699, 715, 717, 718, 719,  
D21/721, 789, 796, 790; D8/354,  
D8/356-360.1; D3/24; D22/137-141;  
D9/419, 434, 455, 456; D11/181, 182;  
D6/677.1, 677.2, 692, 692.3, 708.2,  
D6/521-523; D13/139.7; D14/484;  
D15/29, 72, 78, 138; 242/118, 118.4,  
242/118.7, 600-614; 473/106, 157, 172,  
473/173, 186, 187, 188, 195, 196, 446;  
273/127 B, 127 R  
CPC ..... A63B 57/00; A63B 57/357; A63B 57/40;  
A63B 57/405; A63B 63/00; A63B  
63/007; A63B 63/06; A63B 69/3676;  
A63B 71/023; A63B 71/028; A63B  
71/04; A63B 2071/024

See application file for complete search history.

(56) **References Cited**

**U.S. PATENT DOCUMENTS**

954,299 A 4/1910 Johnson  
1,297,055 A 3/1919 Austin  
1,835,366 A \* 12/1931 Atwood ..... B65H 75/14  
242/118.4

1,939,142 A \* 12/1933 Seymour ..... A63B 69/3676  
473/188  
2,102,446 A \* 12/1937 Wallace ..... B41J 33/003  
242/586.2  
2,116,982 A \* 5/1938 Rubel ..... D05B 57/28  
112/231  
2,635,879 A \* 4/1953 Rath ..... A63B 57/357  
473/180

(Continued)

**FOREIGN PATENT DOCUMENTS**

GB 184409 8/1922  
GB 2437061 10/2007

(Continued)

**OTHER PUBLICATIONS**

MoGoal Flyer Final, Printed on Apr. 18, 2017.  
<http://www.tacitgolf.co.uk/mogoal.html>, Printed on Apr. 18, 2017.

*Primary Examiner* — Catherine A Tuttle  
(74) *Attorney, Agent, or Firm* — Bell & Manning, LLC

(57) **CLAIM**

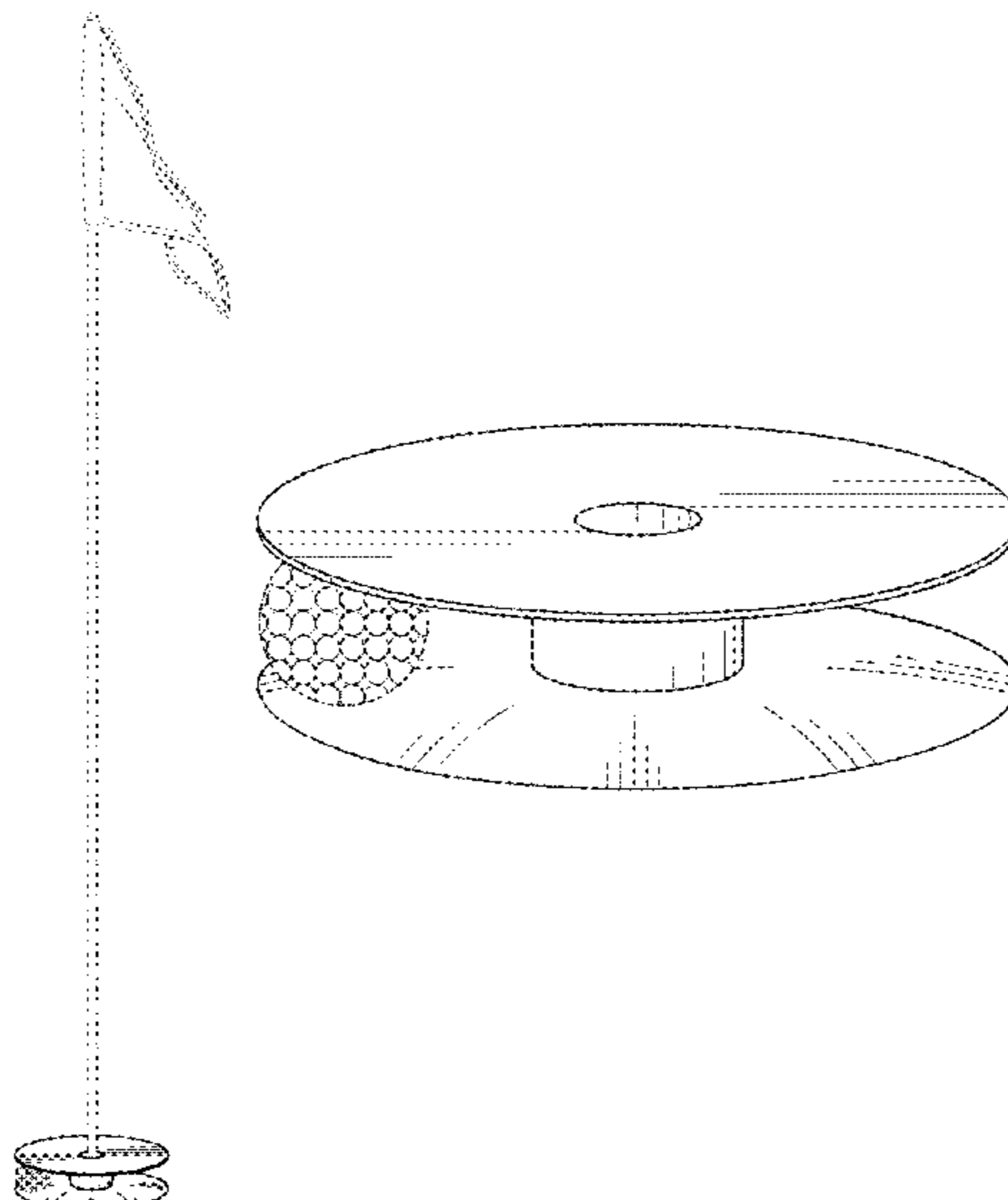
I claim the ornamental design for a ball capture device, as shown and described.

**DESCRIPTION**

FIG. 1 is a perspective view of a ball capture device showing my new design in its environment after capturing a golf ball; FIG. 2 is an enlarged scale perspective showing the design without the environmental flag post; FIG. 3 is a top plan view thereof; FIG. 4 is a bottom plan view thereof; and, FIG. 5 is a side elevation view thereof, wherein the view is identical from each side.

The broken lines are included for the purpose of illustrating environmental elements that form no part of the claimed design.

**1 Claim, 3 Drawing Sheets**



(56)

References Cited

U.S. PATENT DOCUMENTS

2,649,261 A \* 8/1953 Badik ..... H02G 11/02  
 242/580  
 2,771,849 A \* 11/1956 Galbreath ..... D05B 57/28  
 242/118.6  
 2,899,207 A 8/1959 Billinghamurst  
 2,931,482 A \* 4/1960 Bishop ..... B41J 33/003  
 242/118.4  
 3,266,749 A \* 8/1966 Tripini ..... B65H 75/14  
 242/118.7  
 3,313,544 A 4/1967 Davis  
 3,341,206 A 9/1967 Ganger  
 3,458,202 A 7/1969 McNamara  
 3,512,783 A 5/1970 Anderson  
 3,858,888 A 1/1975 Young  
 3,909,007 A 9/1975 Wuertemburg et al.  
 4,564,411 A \* 1/1986 Holzer ..... B31D 1/02  
 156/277  
 4,691,922 A 9/1987 Peel et al.  
 4,880,180 A \* 11/1989 Adair ..... G11B 23/037  
 242/608.8

D410,715 S \* 6/1999 Cramton ..... D21/715  
 D425,588 S \* 5/2000 Cramton ..... D21/715  
 D442,661 S 5/2001 Young  
 6,595,864 B2 7/2003 Fuller  
 7,780,539 B2 8/2010 Whitefield  
 9,010,757 B2 4/2015 Stevens Kang  
 D740,107 S \* 10/2015 Armani ..... D8/358  
 2002/0193172 A1 \* 12/2002 Fuller ..... A63B 57/00  
 473/195  
 2009/0069129 A1 \* 3/2009 McCarthy ..... A63B 24/0021  
 473/476  
 2013/0221615 A1 \* 8/2013 Stevens Kang ..... A63B 63/00  
 273/127 B  
 2013/0324273 A1 12/2013 Reino et al.  
 2017/0312604 A1 11/2017 O'Loughlin

FOREIGN PATENT DOCUMENTS

GB 2438377 4/2009  
 GB 2518362 A \* 3/2015 ..... A63B 69/0073

\* cited by examiner

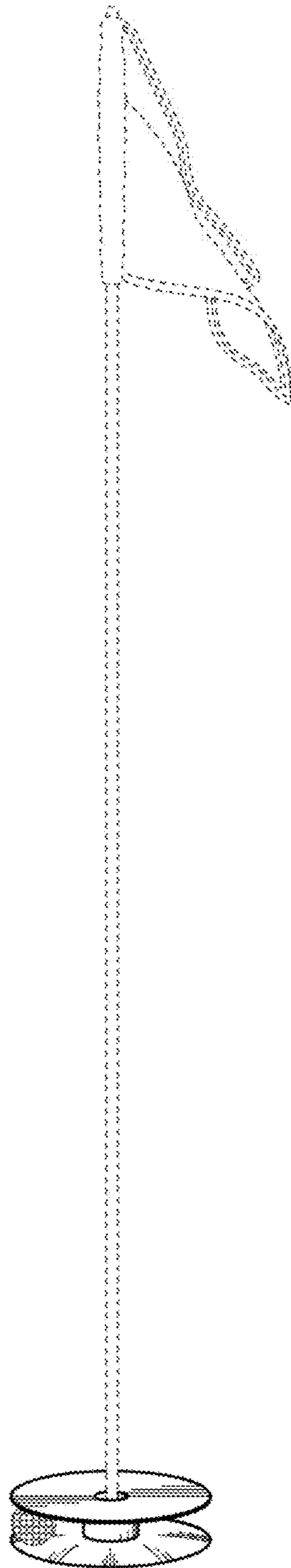


FIG. 1

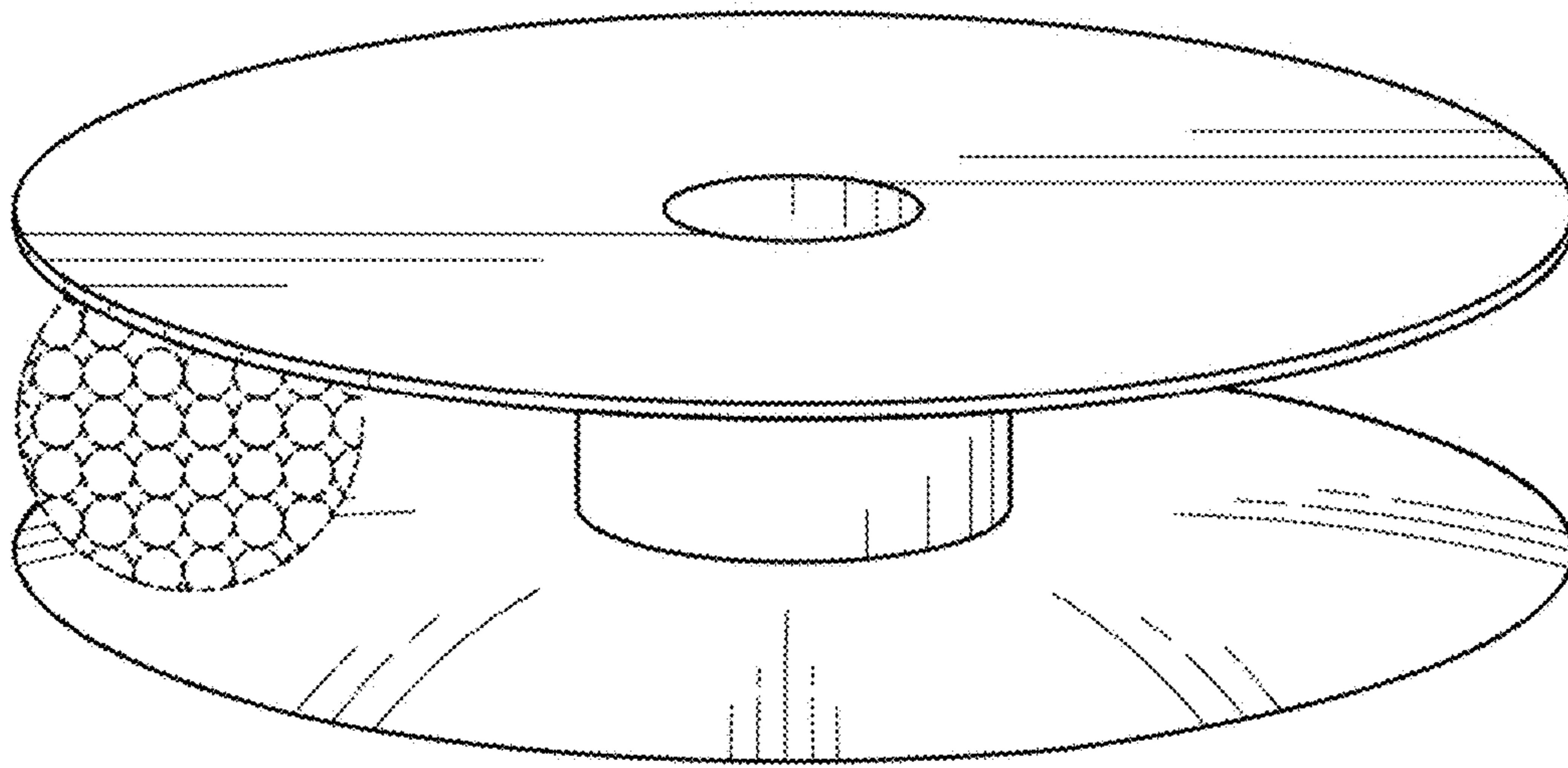


FIG. 2

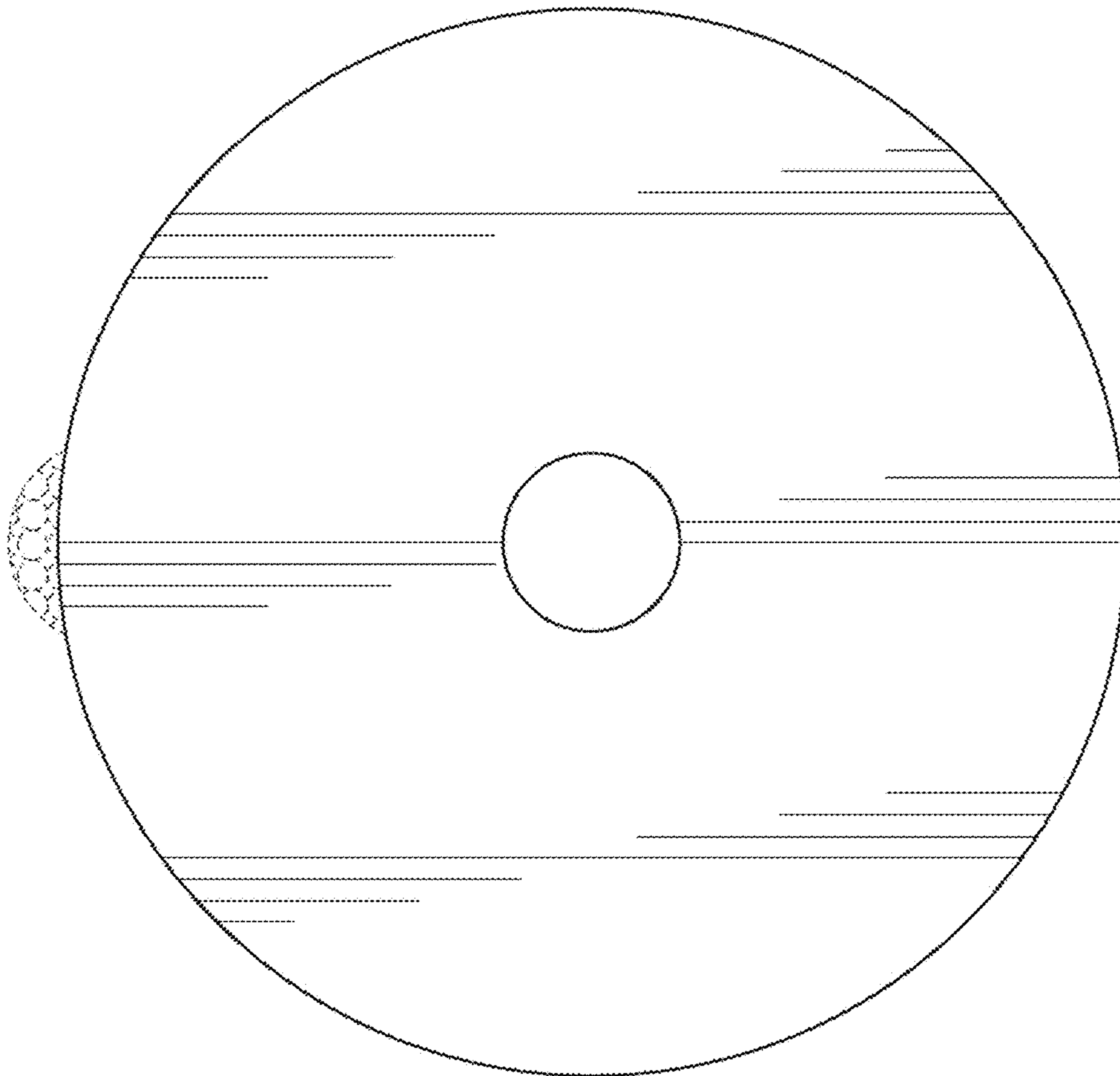


FIG. 3

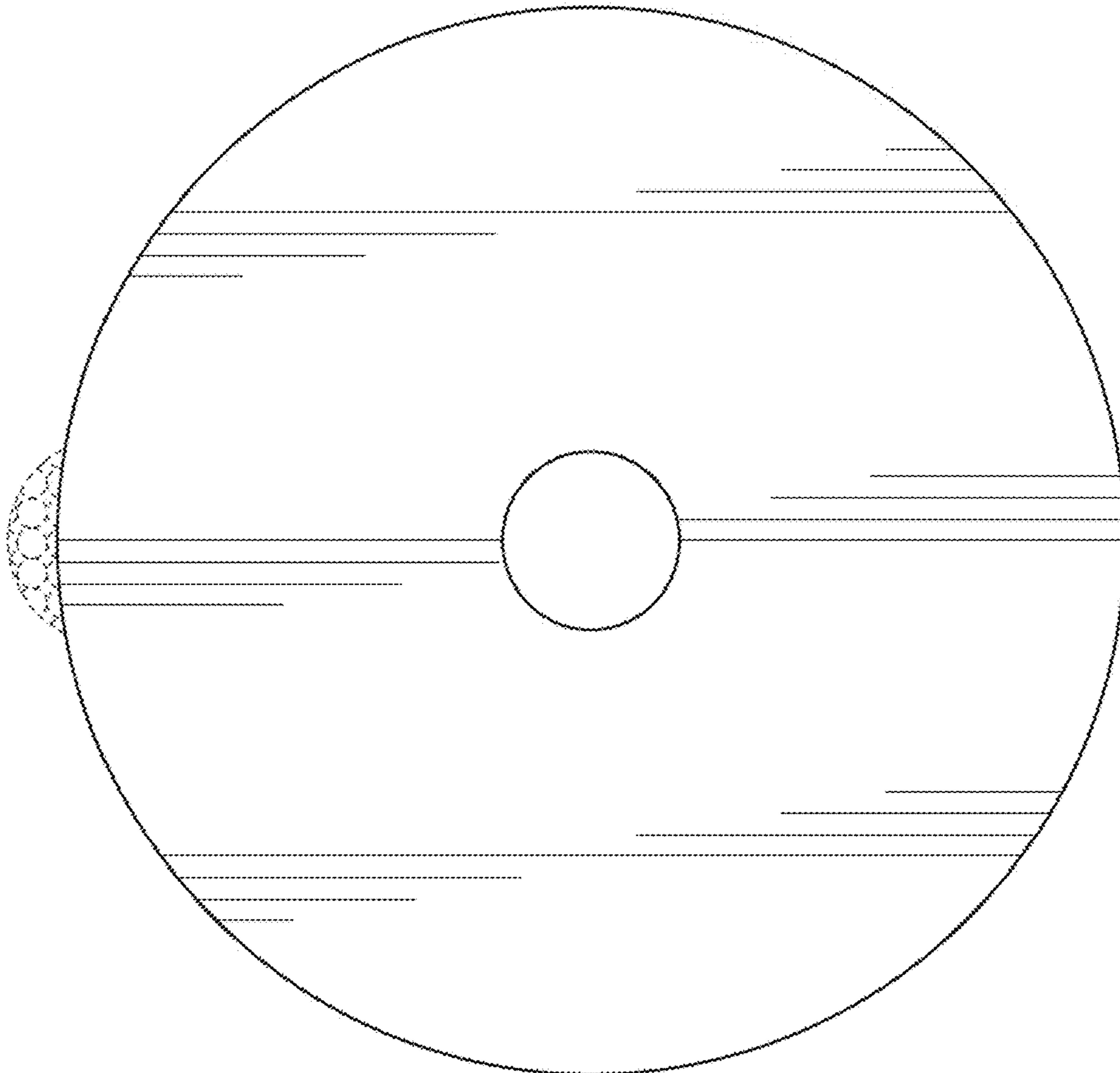


FIG. 4

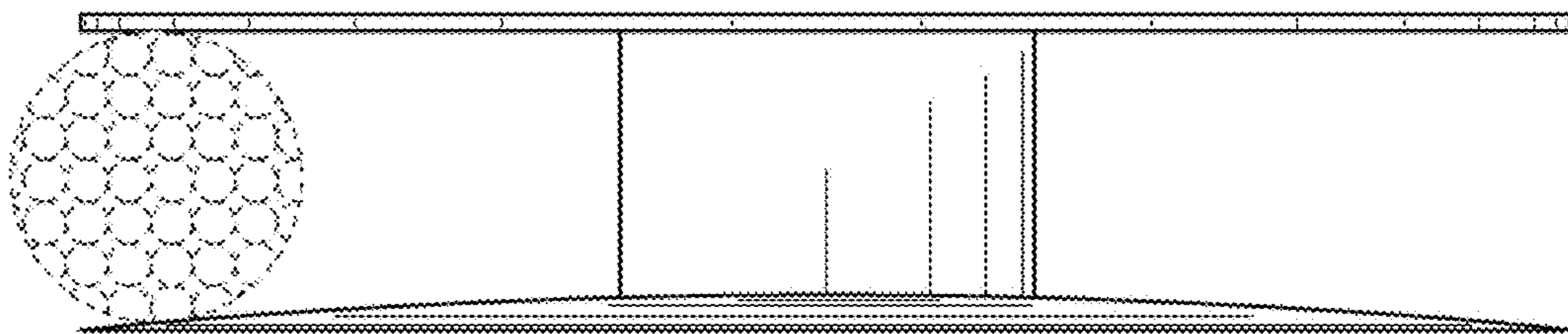


FIG. 5