



US00D842409S

(12) **United States Design Patent**
Novick

(10) **Patent No.:** **US D842,409 S**
(45) **Date of Patent:** **** Mar. 5, 2019**

(54) **SET OF ROLLER SKATES POWERED BY PUMP ACTION**

D373,609 S * 9/1996 Santarsiero D21/763
6,237,923 B1 * 5/2001 Fowle A63C 17/06
280/11.115
6,676,146 B2 * 1/2004 Boyd B62K 1/00
280/205

(71) Applicant: **Matthew Novick**, Southwest Ranches, FL (US)

(Continued)

(72) Inventor: **Matthew Novick**, Southwest Ranches, FL (US)

Primary Examiner — Cynthia M. Chin

(74) *Attorney, Agent, or Firm* — Nancy J. Flint, Attorney at Law, P.A.; Nancy J. Flint, Esq.

(**) Term: **15 Years**

(57) **CLAIM**

The ornamental design for a set of roller skates powered by pump action, as shown and described.

(21) Appl. No.: **29/643,649**

DESCRIPTION

(22) Filed: **Apr. 10, 2018**

(51) **LOC (11) Cl.** **21-02**

(52) **U.S. Cl.**
USPC **D21/763**

(58) **Field of Classification Search**
USPC D21/760, 763–765, 771; D2/902, 904
CPC A63C 17/12; A63C 17/061; A63C 17/065;
A63C 17/067; B62M 1/24; B62M 1/30
See application file for complete search history.

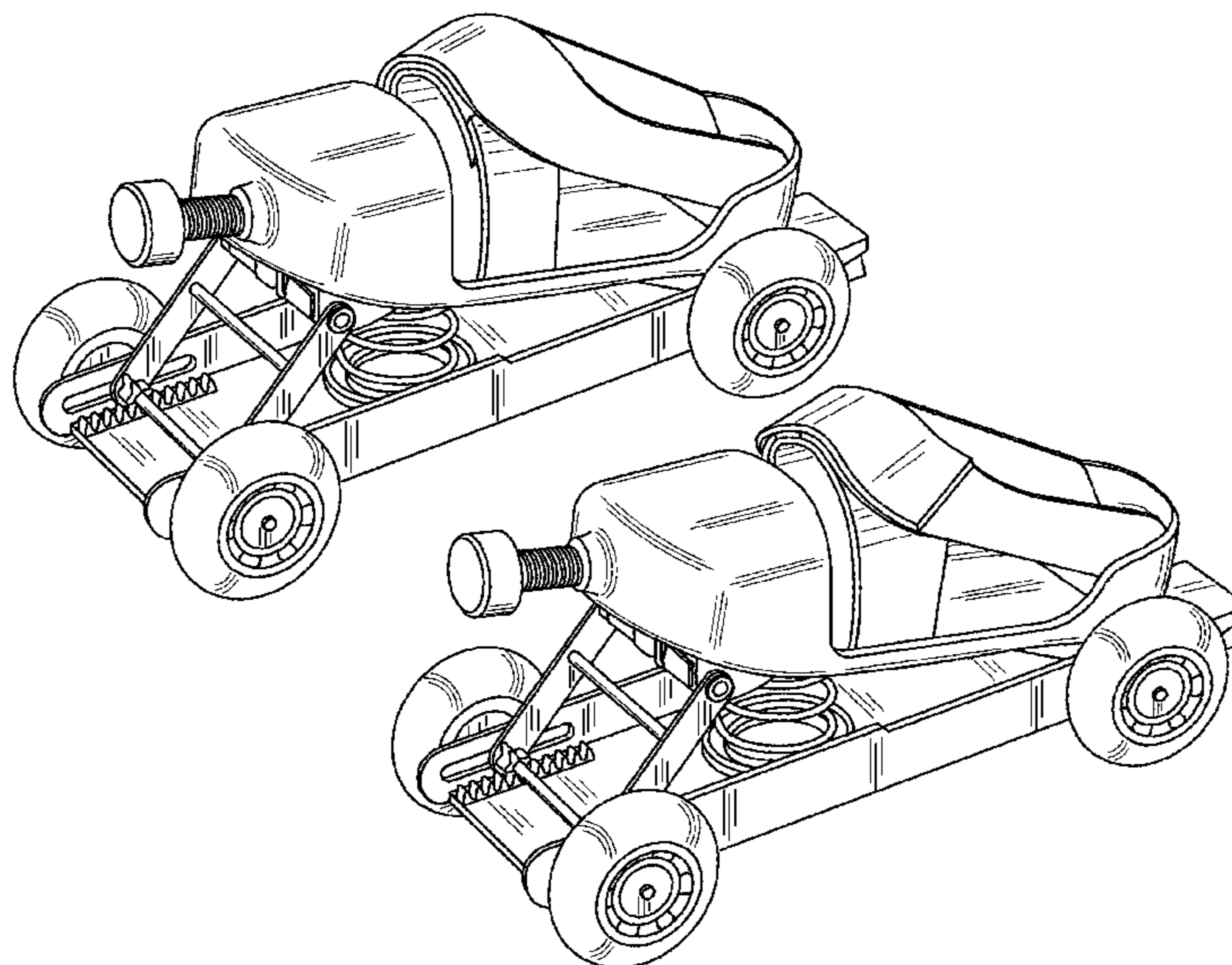
FIG. 1 is a perspective view of a set of roller skates powered by pump action showing my new design;
FIG. 2 is a front view of the set of roller skates powered by pump action;
FIG. 3 is a top view of the set of roller skates powered by pump action;
FIG. 4 is a left side view of the left roller skate powered by pump action;
FIG. 5 is a right side view of the left roller skate powered by pump action;
FIG. 6 is a bottom view of the set of roller skates powered by pump action;
FIG. 7 is a rear view of the set of roller skates powered by pump action;
FIG. 8 is a cut-away side view of the left roller skate powered by pump action as indicated in FIG. 3; and,
FIG. 9 is a left side view of the left roller skate powered by pump action as attached to the shoe of a user.
Right side views of the right roller skate powered by pump action not shown are mirror images of left side views of the left roller skate powered by pump action. Hatch marks shown in FIG. 8 indicate subject matter not visible from the exterior of the left roller skate powered by pump action. Broken lines in FIG. 9 indicate environmental matter that form no part of the design sought to be patented.

(56) **References Cited**

U.S. PATENT DOCUMENTS

4,602,801 A * 7/1986 Vincent A63C 17/12
280/11.115
4,691,931 A * 9/1987 Vincent A63C 17/1436
280/11.115
4,706,974 A * 11/1987 Vincent A63C 17/1409
280/11.115
5,048,632 A * 9/1991 Battel A63C 5/08
180/181
5,056,802 A * 10/1991 Piotrowski A63C 17/12
280/11.115
5,129,664 A * 7/1992 Chen A63C 17/12
280/11.115
5,492,345 A * 2/1996 Kruczek A63C 17/12
280/11.115

1 Claim, 7 Drawing Sheets



(56)

References Cited

U.S. PATENT DOCUMENTS

D493,858	S *	8/2004	Green	D21/763
7,367,569	B2 *	5/2008	Viitamaki	A63C 17/12 280/11.115
D592,724	S *	5/2009	Klamer	D21/764
7,568,706	B2 *	8/2009	Ng	A63C 17/12 280/11.115
8,870,192	B2 *	10/2014	Othman	A63C 17/12 280/11.115
9,027,690	B2 *	5/2015	Chavand	A63C 17/12 180/181
9,302,172	B2 *	4/2016	Kim	A63C 17/12
2003/0047893	A1 *	3/2003	Pahis	A63C 17/12 280/11.115
2005/0046139	A1 *	3/2005	Guan	A63C 17/12 280/221
2008/0061521	A1 *	3/2008	Ng	A63C 17/12 280/11.115
2010/0207348	A1 *	8/2010	Othman	A63C 17/12 280/216

* cited by examiner

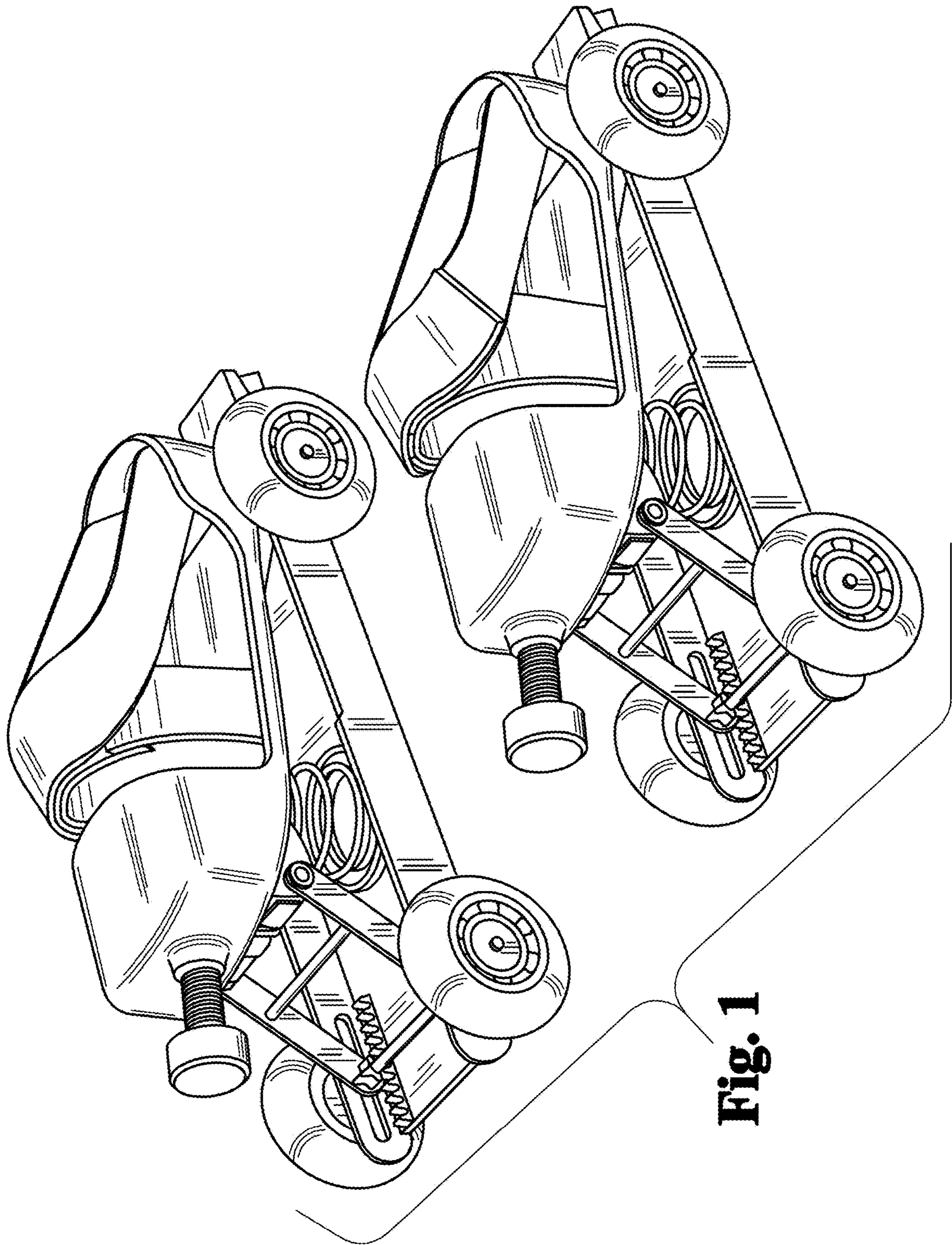


Fig. 1

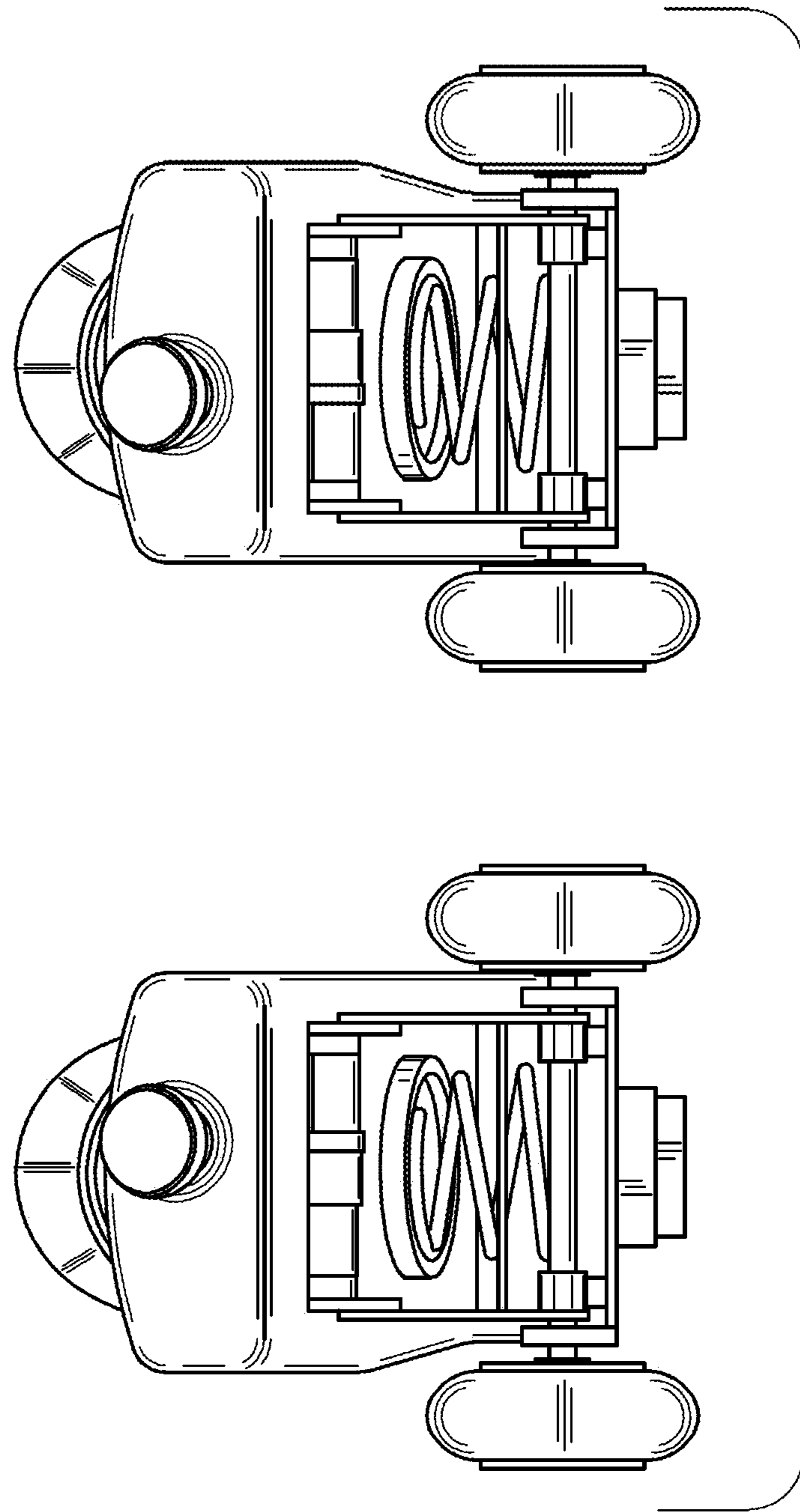


Fig. 2

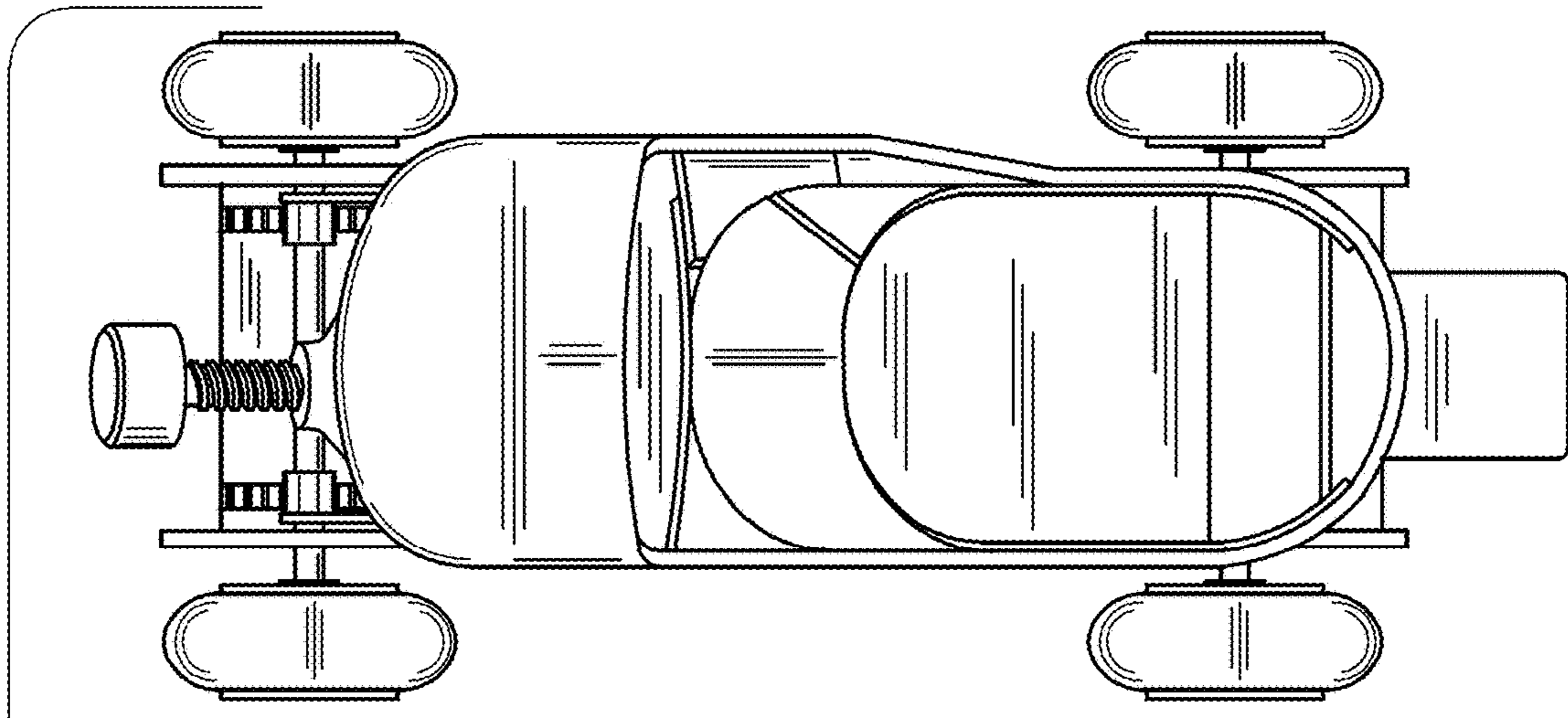
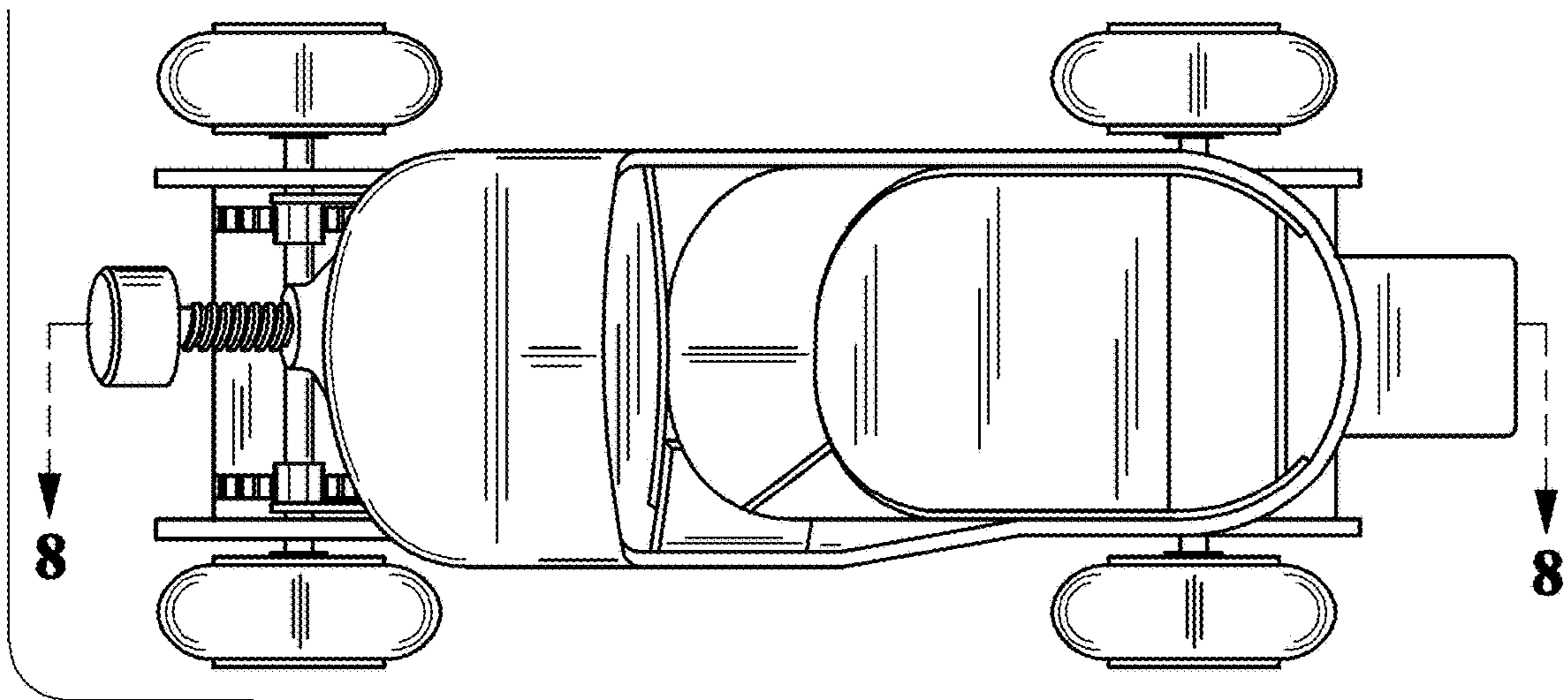


Fig. 3



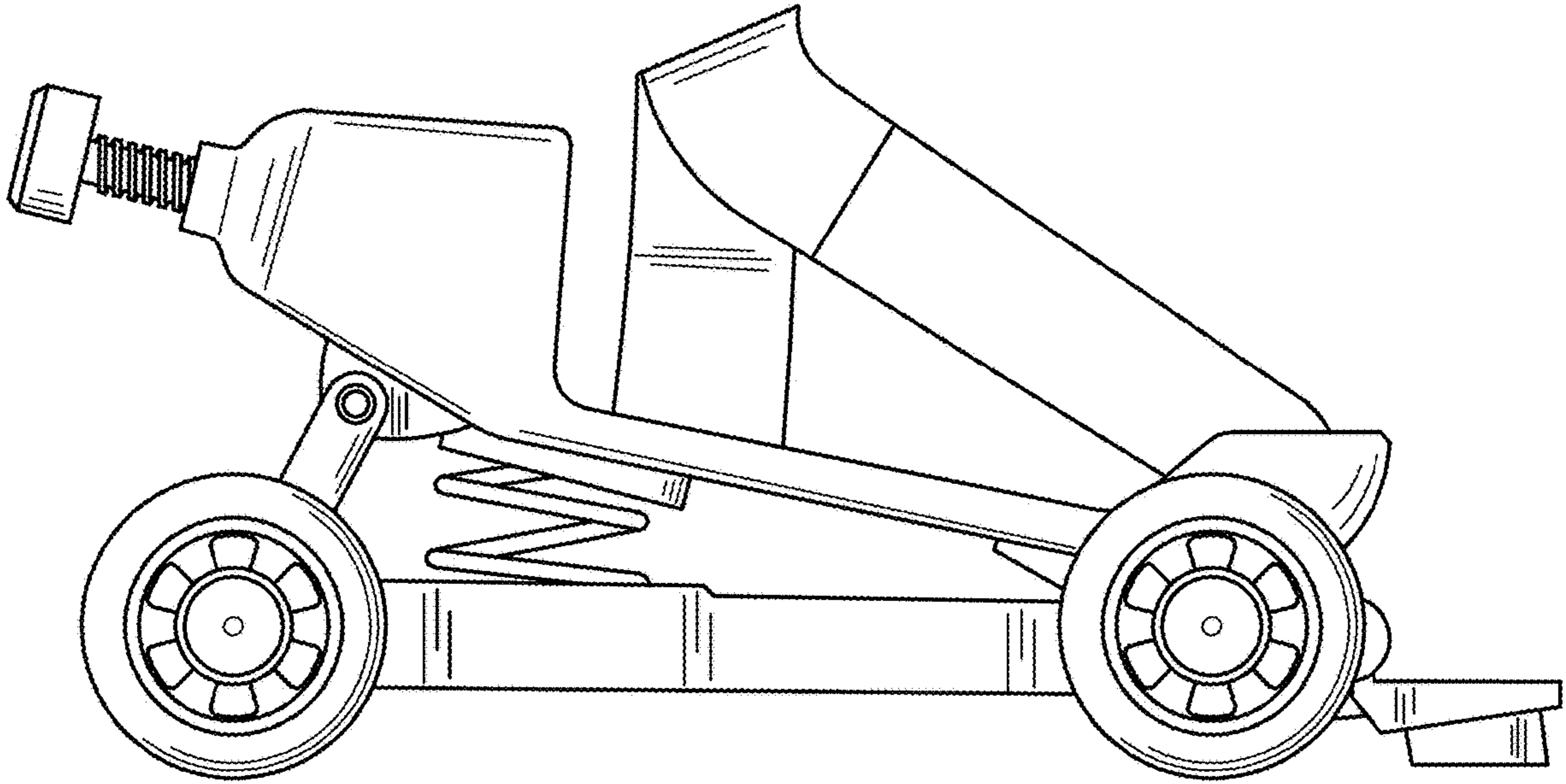


Fig. 4

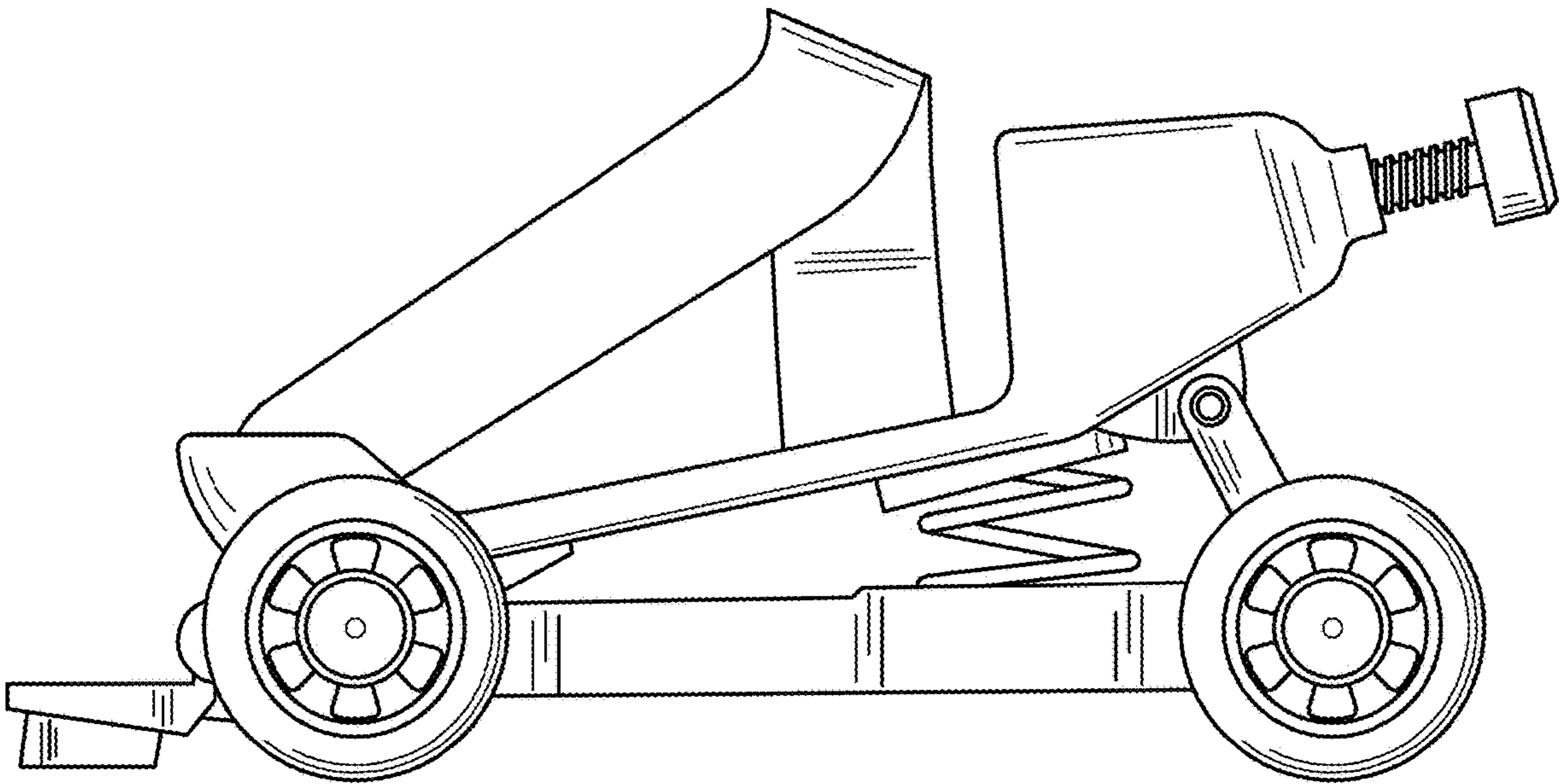


Fig. 5

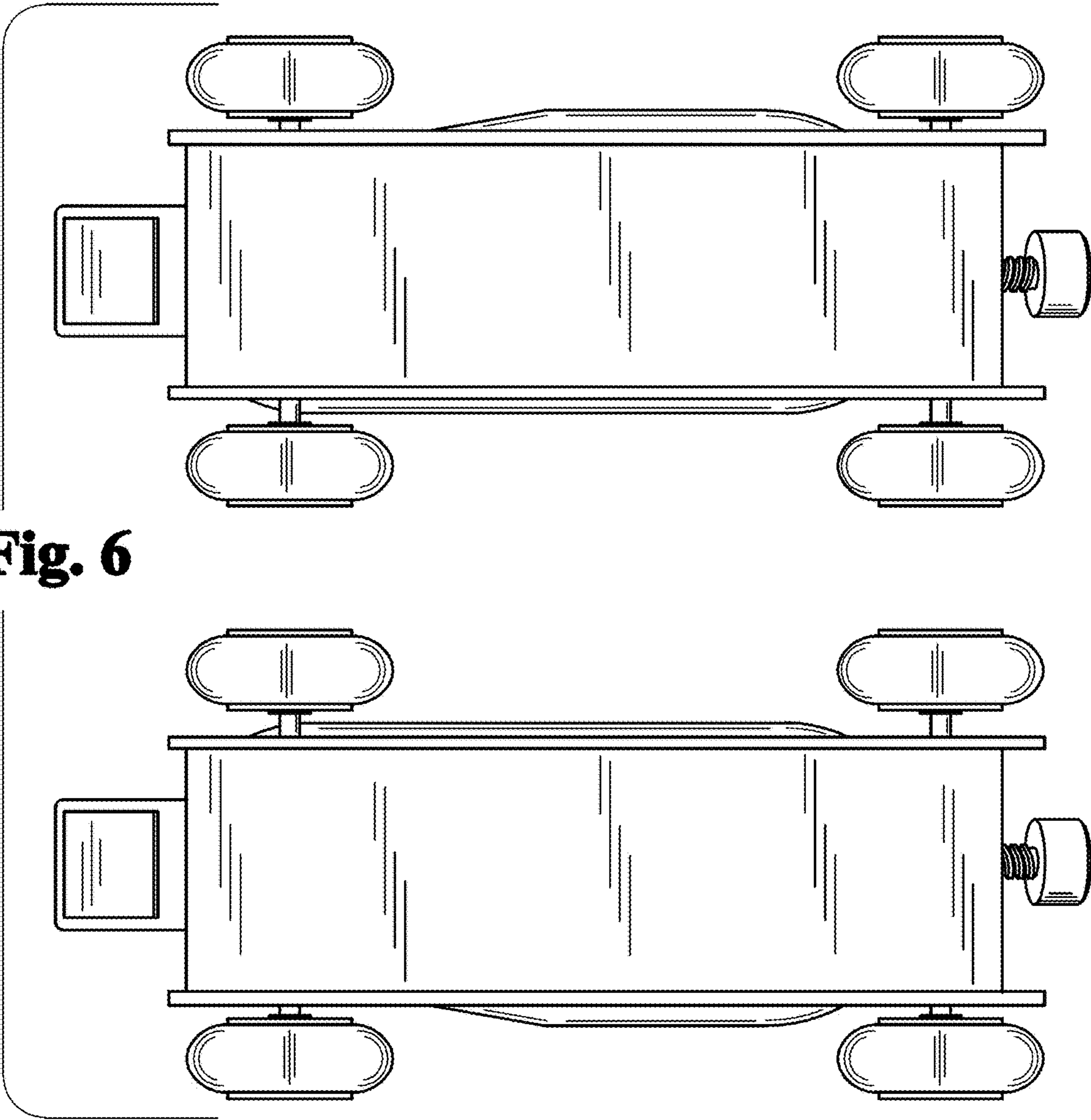


Fig. 6

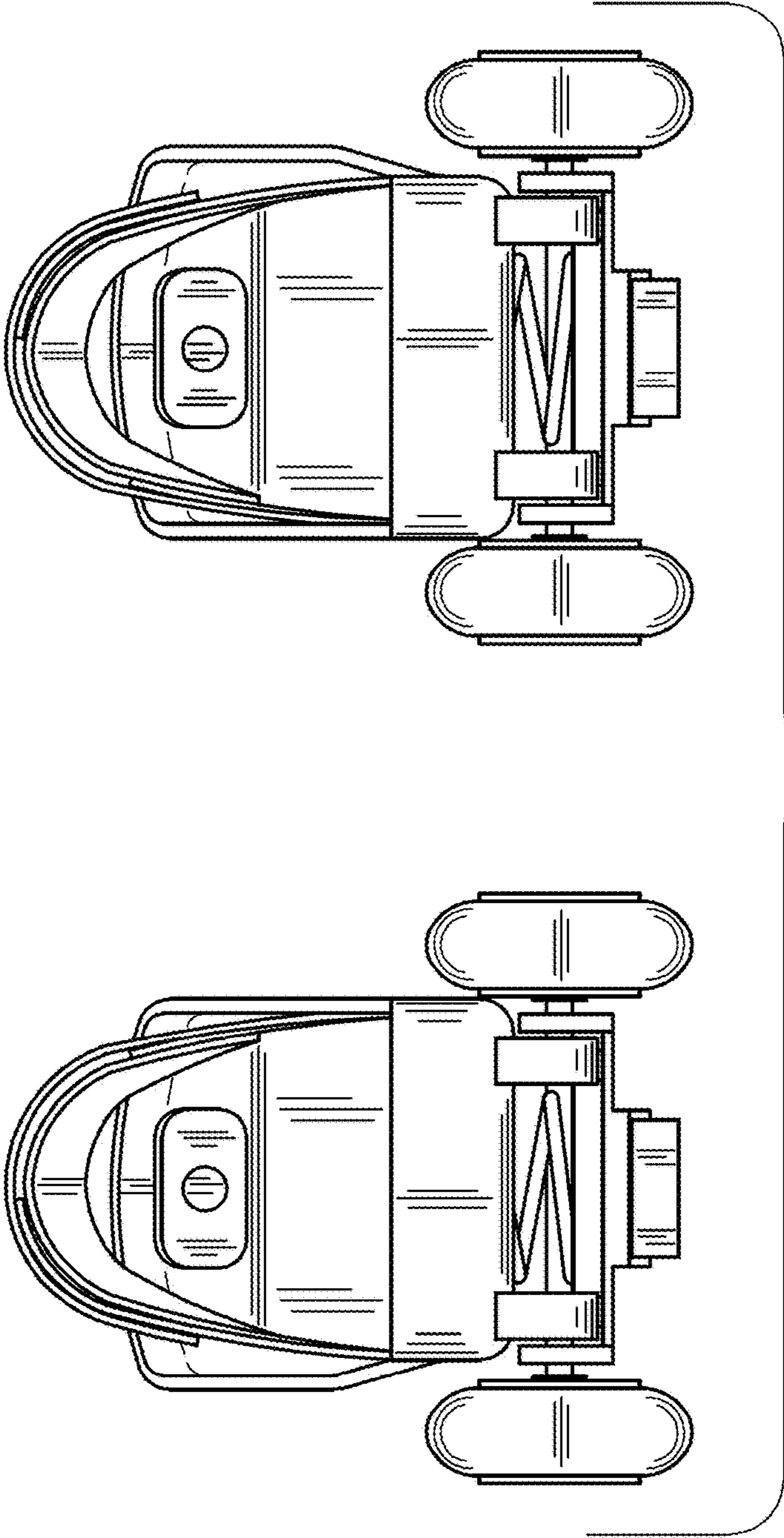


Fig. 7

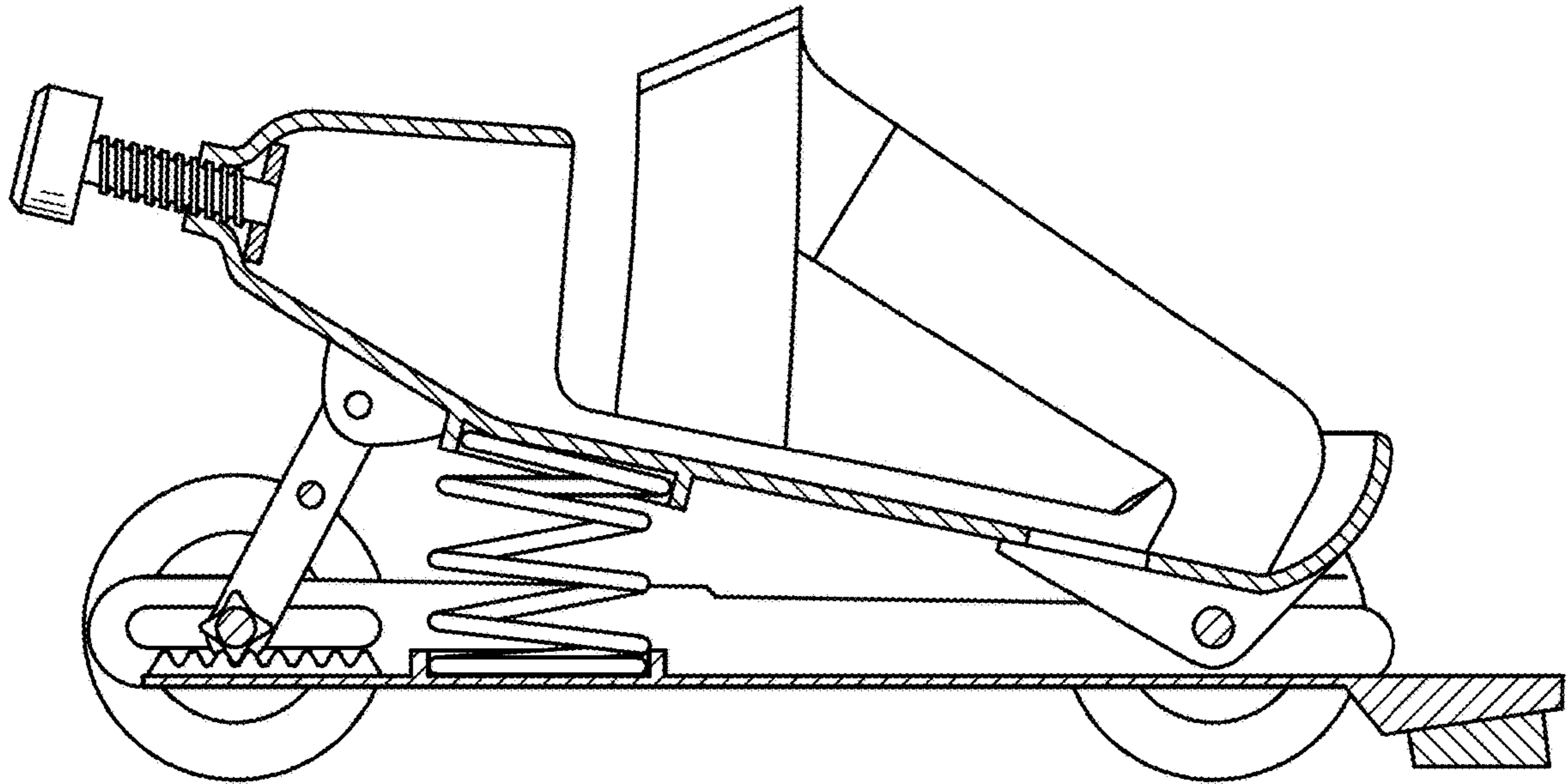


Fig. 8

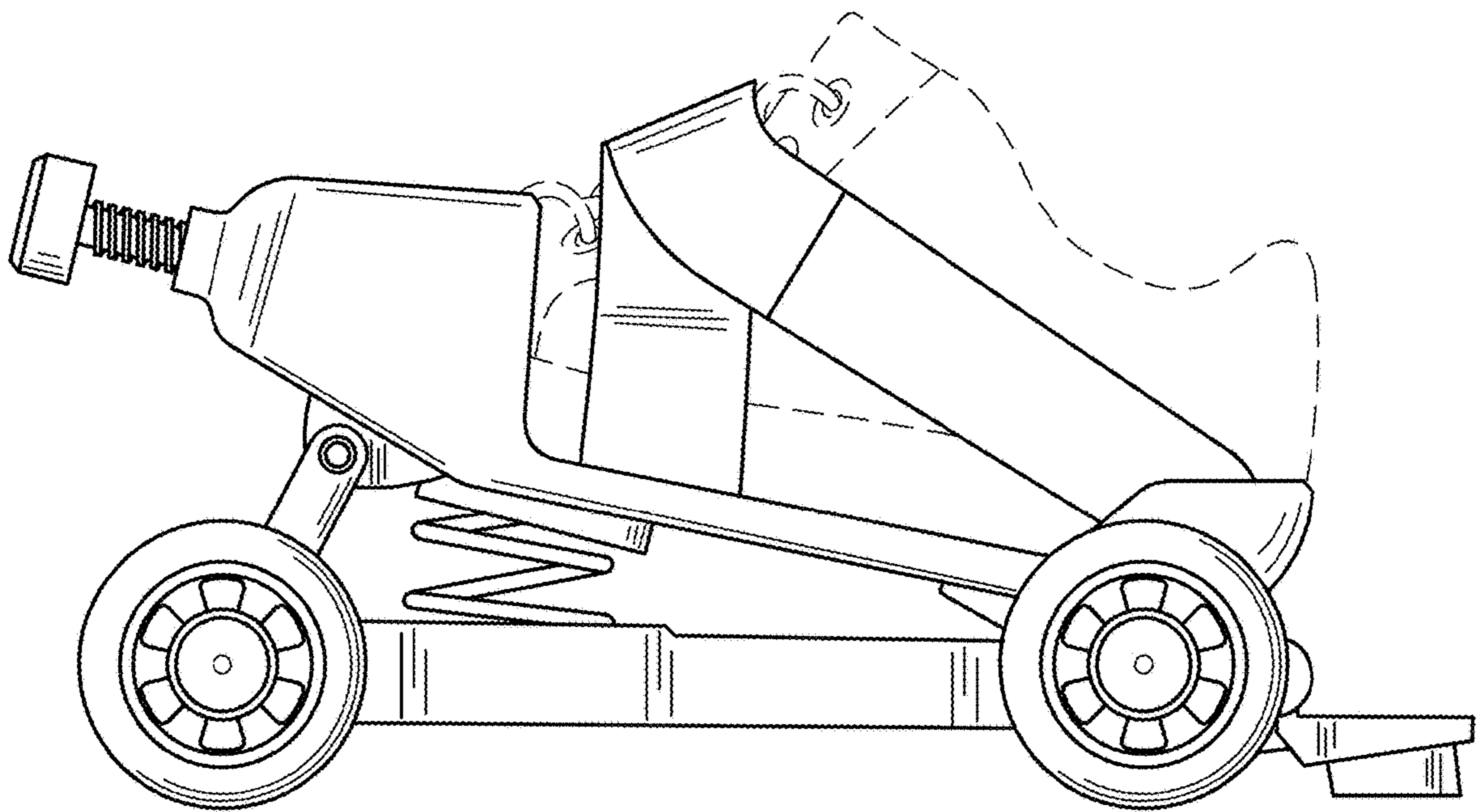


Fig. 9