



US00D842408S

(12) **United States Design Patent**
Tsuchihashi

(10) **Patent No.:** **US D842,408 S**

(45) **Date of Patent:** **** Mar. 5, 2019**

(54) **HEAD FOR GOLF CLUB**

(71) Applicant: **DUNLOP SPORTS CO. LTD.**,
Kobe-shi, Hyogo (JP)

(72) Inventor: **Satoko Tsuchihashi**, Kobe (JP)

(73) Assignee: **SUMITOMO RUBBER**
INDUSTRIES, LTD., Kobe-Shi, Hyogo
(JP)

(**) Term: **15 Years**

(21) Appl. No.: **29/619,357**

(22) Filed: **Sep. 28, 2017**

(30) **Foreign Application Priority Data**

Jul. 4, 2017 (JP) 2017-014380

(51) **LOC (11) Cl.** **21-02**

(52) **U.S. Cl.**
USPC **D21/759**

(58) **Field of Classification Search**

USPC D21/747-751, 759

CPC A63B 53/00; A63B 53/02; A63B 53/04;
A63B 53/047; A63B 53/0475; A63B
2053/0479; A63B 2053/0483; A63B
2053/0445; A63B 60/00; A63B 60/46

See application file for complete search history.

(56) **References Cited**

U.S. PATENT DOCUMENTS

D357,294 S * 4/1995 Solheim D21/748
D381,385 S * 7/1997 Shinohara D21/749

D390,617 S * 2/1998 Solheim D21/748
D641,444 S * 7/2011 Llewellyn D21/759
D713,903 S * 9/2014 Kono D21/759
D798,404 S * 9/2017 Asatsuma D21/759
D803,962 S * 11/2017 Tang D21/759

* cited by examiner

Primary Examiner — Mitchell I. Siegel

(74) *Attorney, Agent, or Firm* — Birch, Stewart, Kolasch
& Birch, LLP

(57) **CLAIM**

The ornamental design for a head for golf club, as shown and described.

DESCRIPTION

FIG. 1 is a rear perspective view of a head for golf club;

FIG. 2 is a bottom perspective view thereof;

FIG. 3 is a rear view thereof;

FIG. 4 is a right side view thereof;

FIG. 5 is a left side view thereof;

FIG. 6 is a top view thereof;

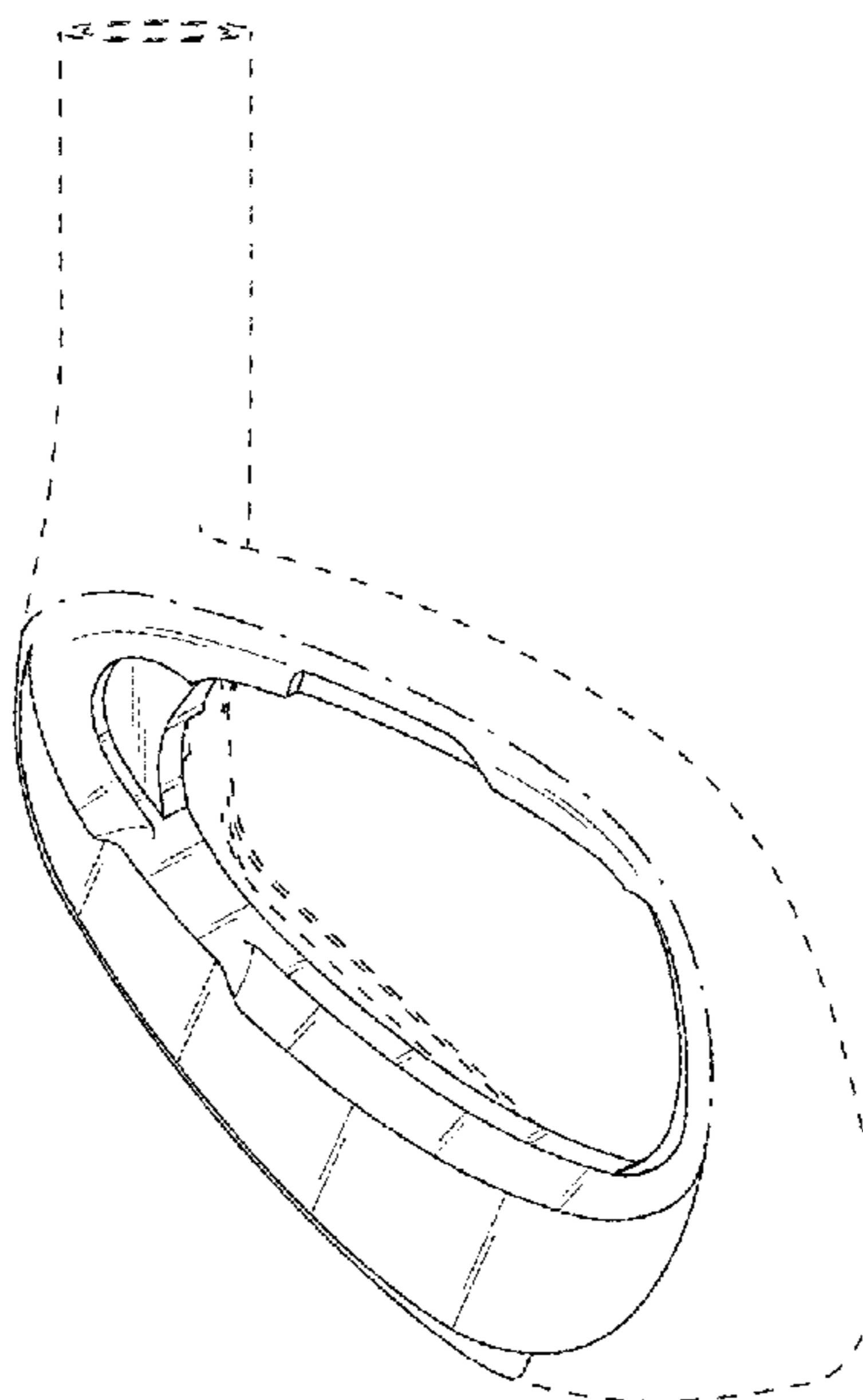
FIG. 7 is a bottom view thereof;

FIG. 8 is a cross-sectional view taken along line 8-8 in FIG. 3 thereof; and,

FIG. 9 is a cross-sectional view taken along line 9-9 in FIG. 3 thereof.

The broken line showing of unclaimed portions of the golf club head is included for the purpose of illustrating unclaimed subject matter and forms no part of the claimed design. The dash-dot-dash lines disclosed adjacent to the claimed design are boundary lines and form no part of the claimed design.

1 Claim, 5 Drawing Sheets



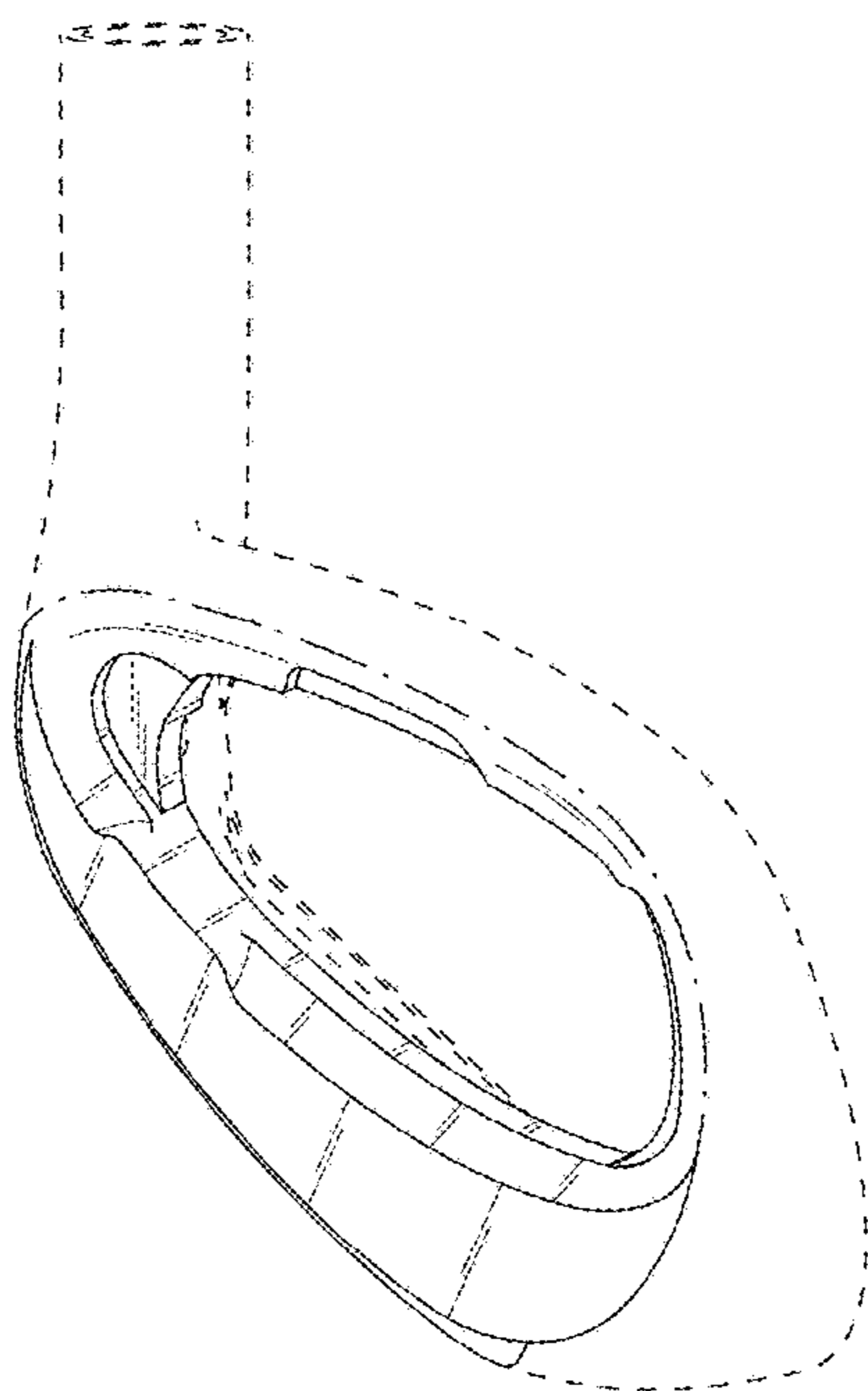


FIG.1

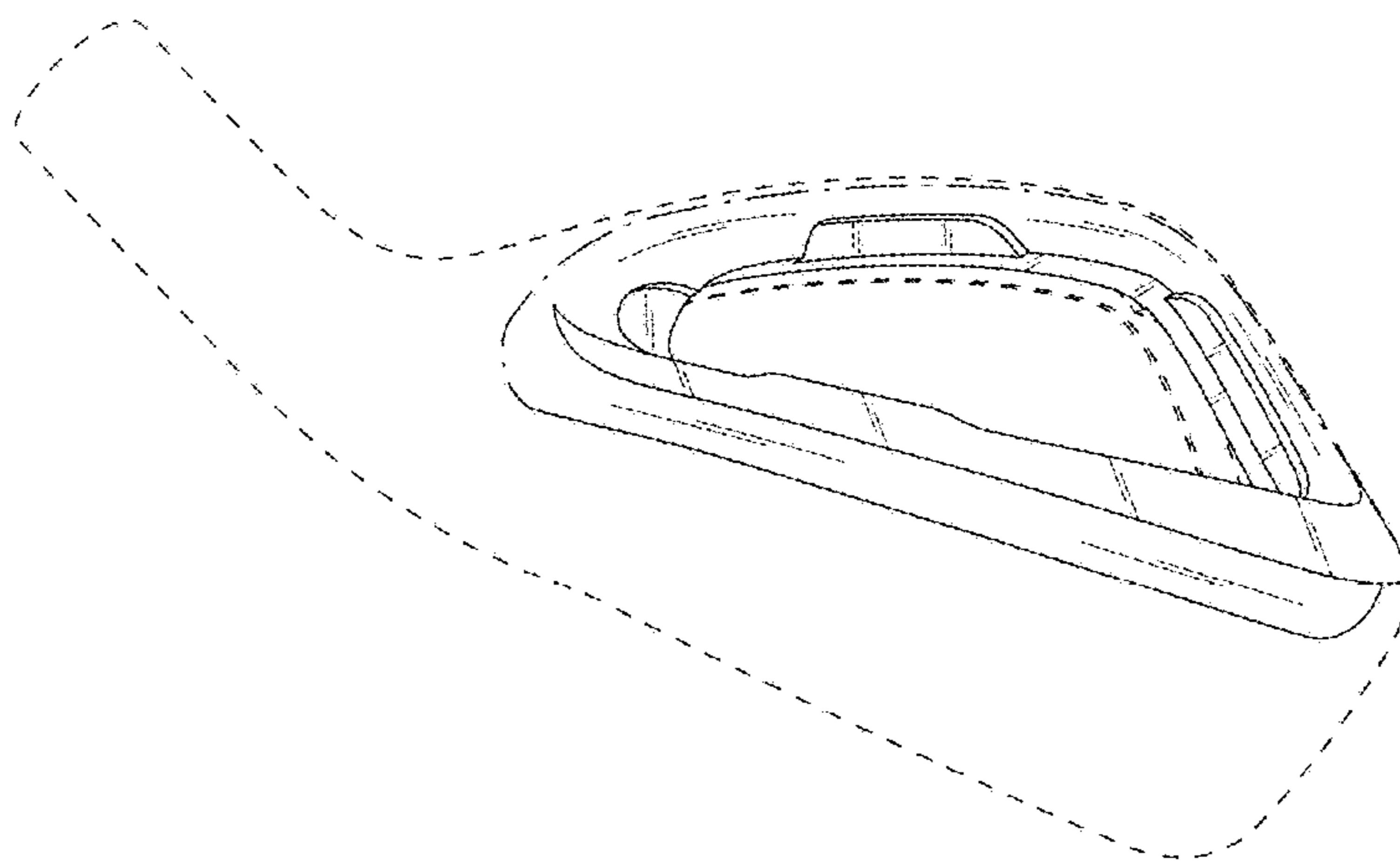


FIG.2

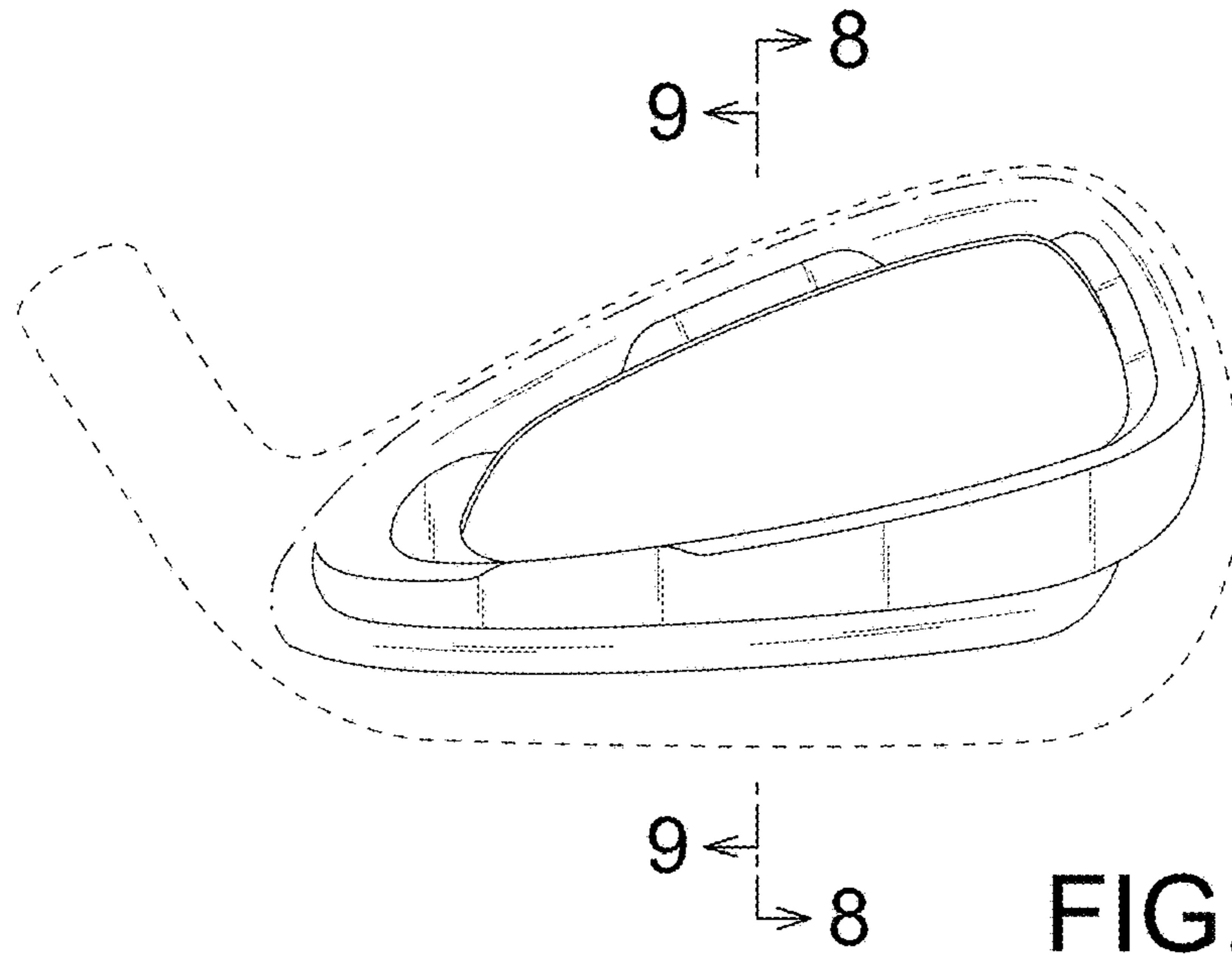


FIG. 3

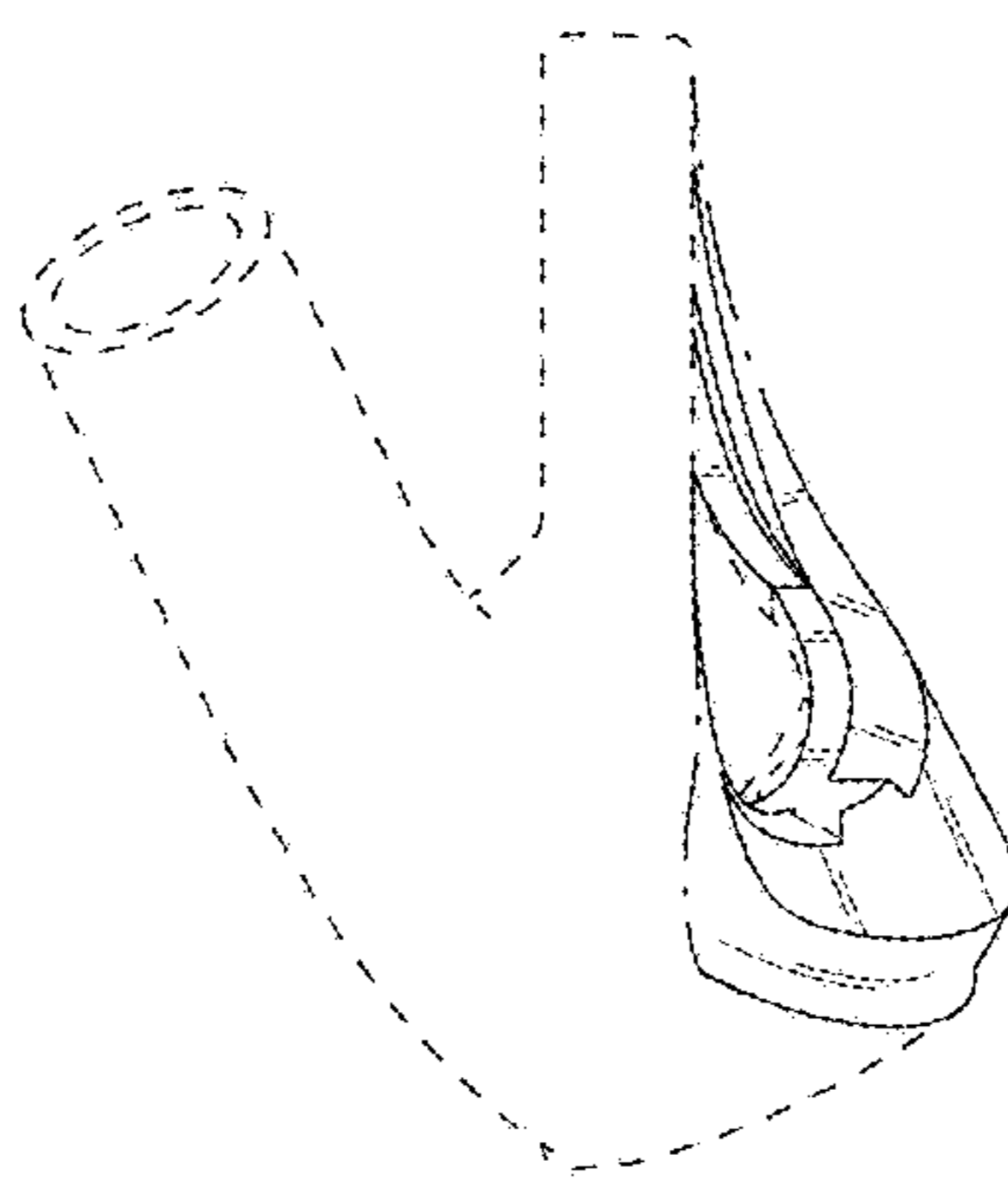


FIG. 4

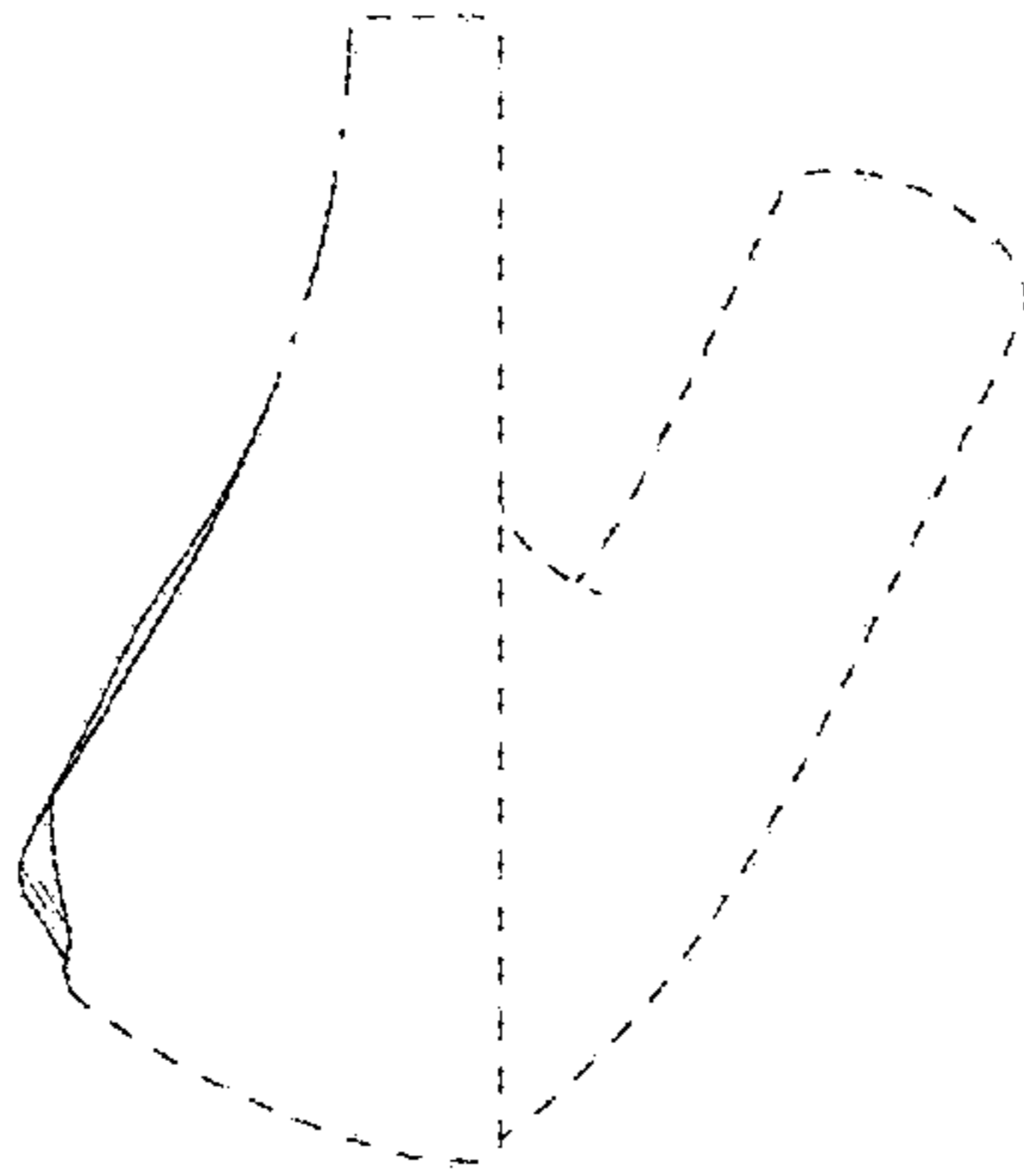


FIG. 5

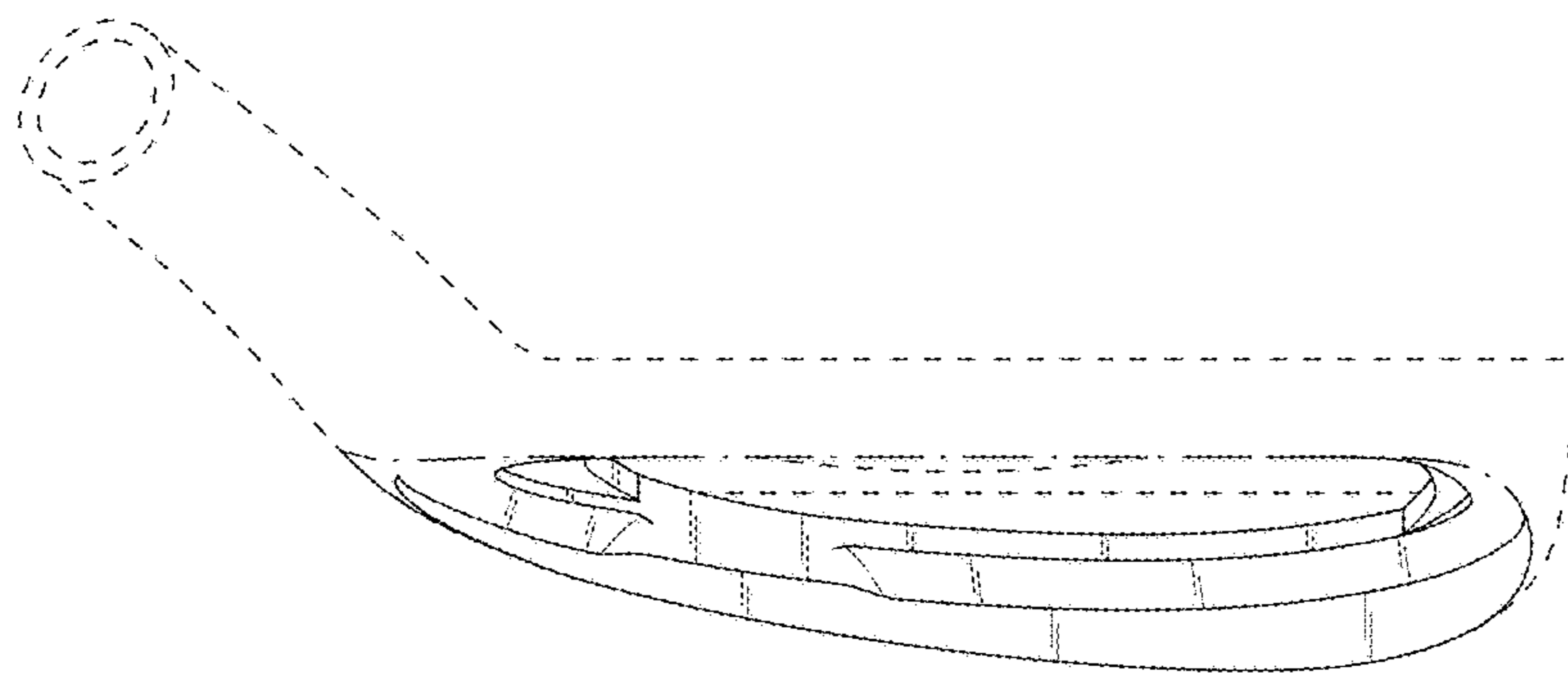


FIG. 6

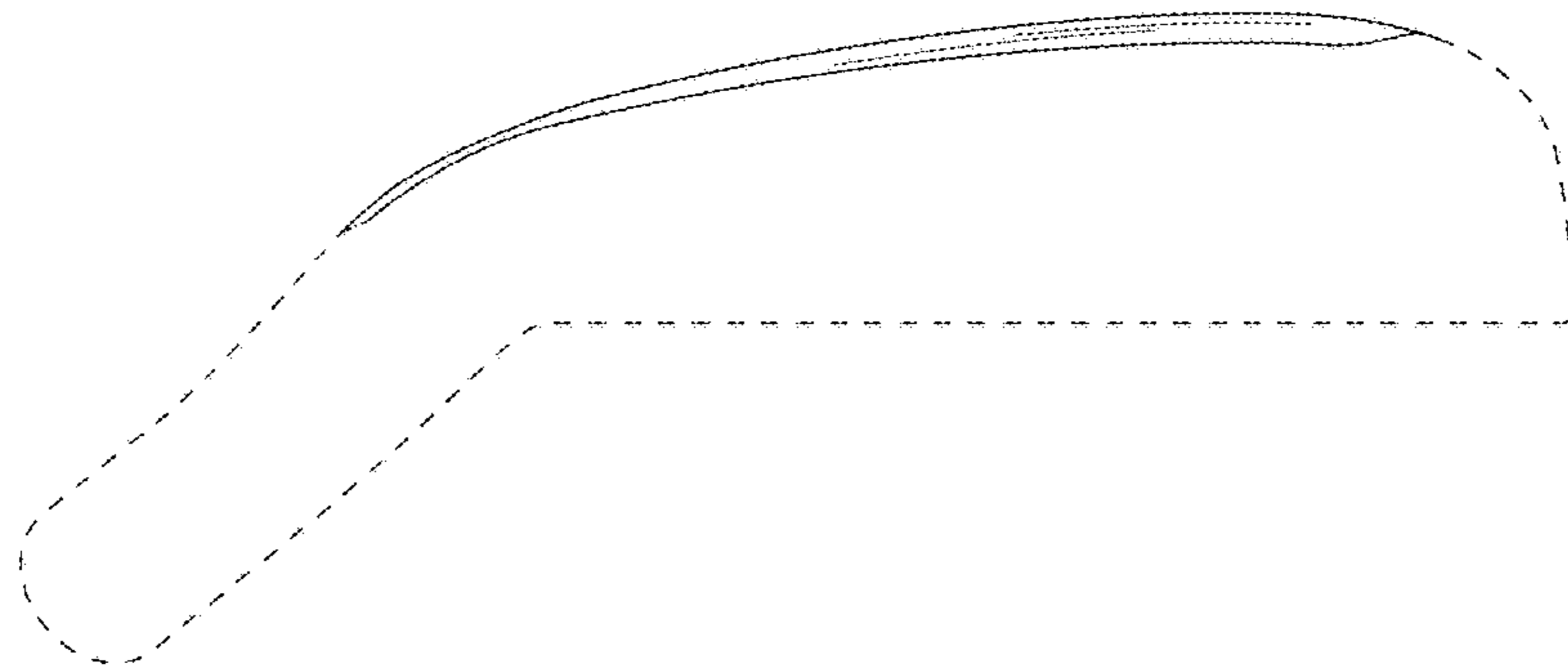


FIG. 7

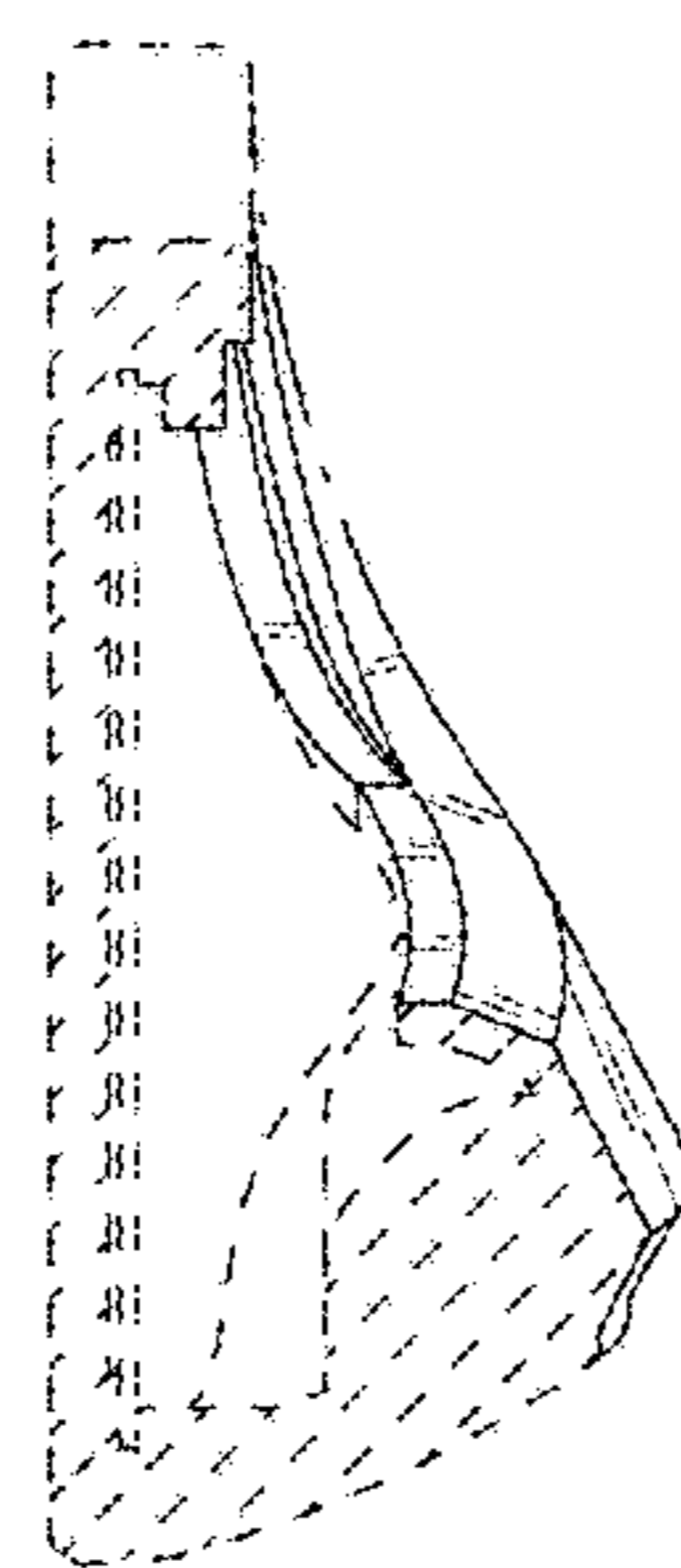


FIG. 8

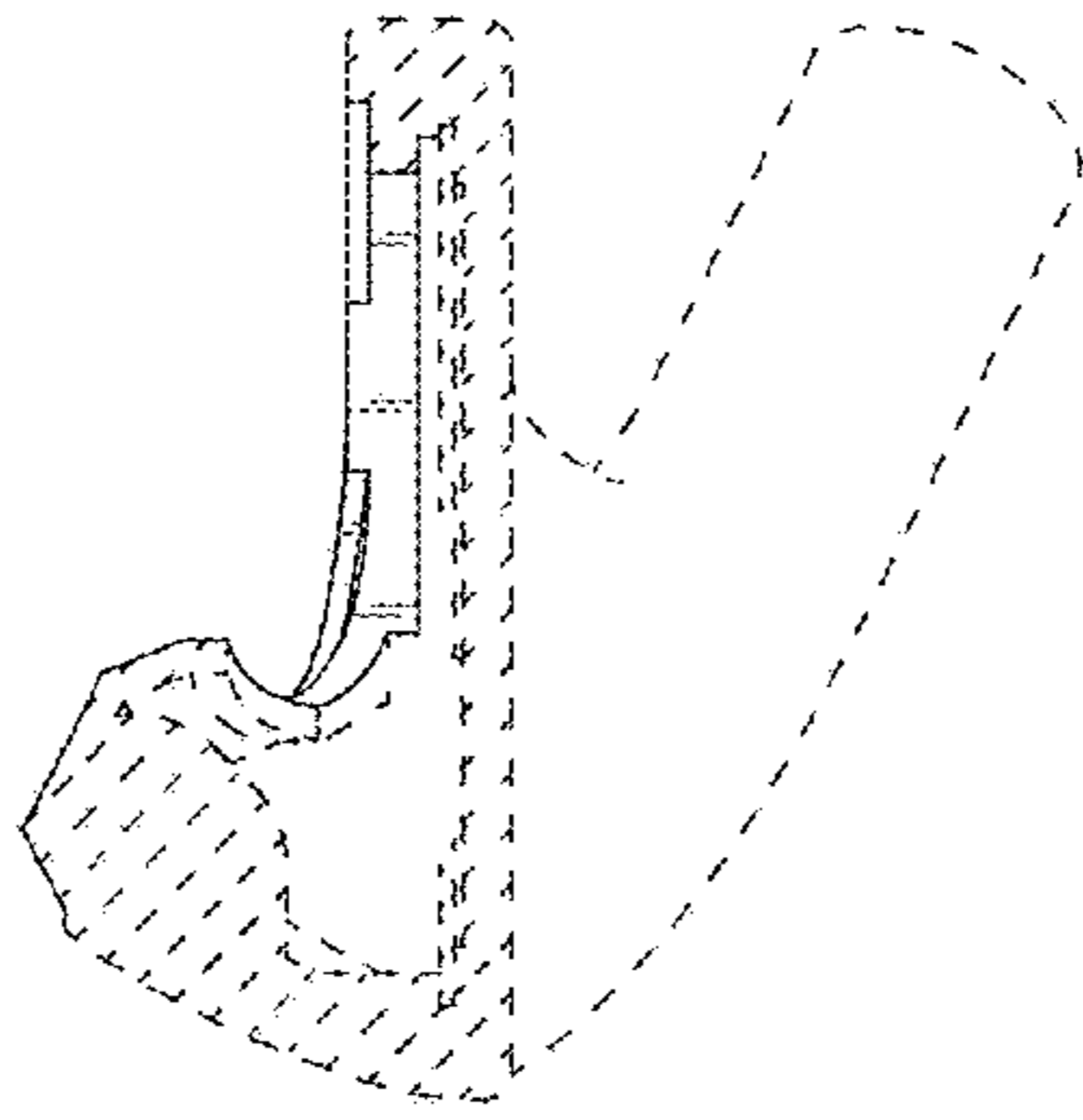


FIG.9