

US00D842407S

(12) **United States Design Patent**
Kovacevich

(10) **Patent No.:** **US D842,407 S**

(45) **Date of Patent:** **** Mar. 5, 2019**

(54) **GOLF CLUB HEAD**

(71) Applicant: **Callaway Golf Company**, Carlsbad,
CA (US)

(72) Inventor: **Matt Kovacevich**, Oceanside, CA (US)

(73) Assignee: **Callaway Golf Company**, Carlsbad,
CA (US)

(**) Term: **15 Years**

(21) Appl. No.: **29/618,958**

(22) Filed: **Sep. 26, 2017**

(51) **LOC (11) Cl.** **21-02**

(52) **U.S. Cl.**
USPC **D21/759**

(58) **Field of Classification Search**
USPC D21/733, 752, 759
CPC A63B 53/00; A63B 53/04; A63B 53/0466;
A63B 2053/002; A63B 2053/0445; A63B
2053/0433; A63B 2053/0491; A63B
2053/0437

See application file for complete search history.

(56) **References Cited**

U.S. PATENT DOCUMENTS

D410,057 S	*	5/1999	Ortiz	D21/752
D562,421 S	*	2/2008	Jertson	D21/752
D564,055 S	*	3/2008	Jertson	D21/752
D569,465 S	*	5/2008	Yi	D21/752
D578,587 S	*	10/2008	Hoffman	D21/752

D579,064 S	*	10/2008	Beach	D21/752
D579,065 S	*	10/2008	Yi	D21/752
D579,066 S	*	10/2008	Dipert	D21/752
D579,067 S	*	10/2008	Hoffman	D21/752
D594,521 S	*	6/2009	Jertson	D21/759
D596,252 S	*	7/2009	Jertson	D21/752
D600,297 S	*	9/2009	Jertson	D21/752
D624,979 S	*	10/2010	Morris	D21/752
D785,735 S	*	5/2017	Bacon	D21/752
D788,239 S	*	5/2017	Kim	D21/759
D801,461 S	*	10/2017	Milleman	D21/752

* cited by examiner

Primary Examiner — Mitchell I. Siegel

(74) *Attorney, Agent, or Firm* — Rebecca Hanovice;
Michael Catania; Sonia Lari

(57) **CLAIM**

The ornamental design for a golf club head, as shown and described.

DESCRIPTION

FIG. 1 is a rear perspective view of the golf club head claimed herein;

FIG. 2 is a front elevational view thereof;

FIG. 3 is a rear elevational view thereof;

FIG. 4 is a left side elevational view thereof;

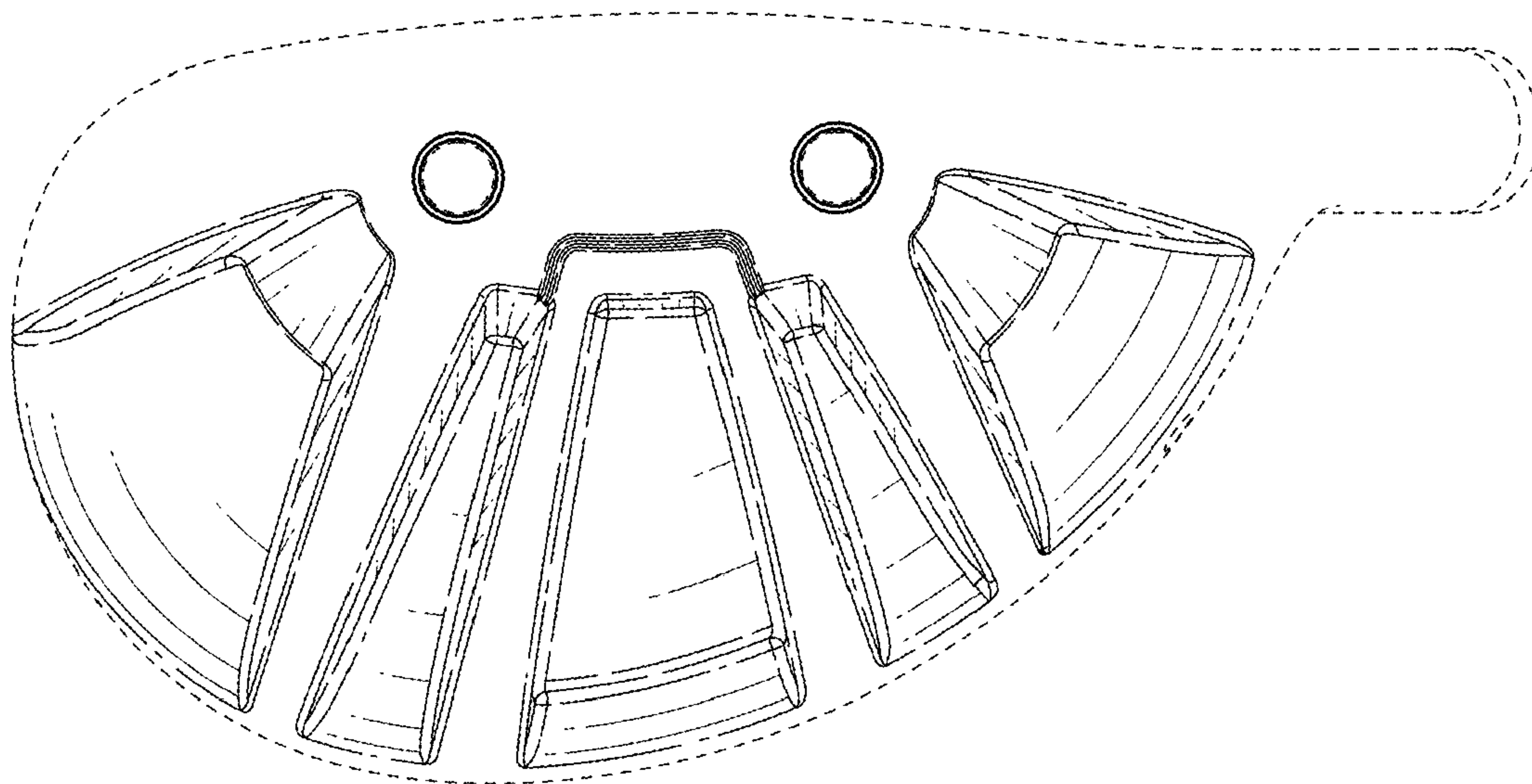
FIG. 5 is a right side elevational view thereof;

FIG. 6 is a top plan view thereof; and,

FIG. 7 is a bottom plan view thereof.

The broken lines disclosed on the drawing figures are for the purpose of illustrating unclaimed subject matter and forms no part of the claimed design.

1 Claim, 4 Drawing Sheets



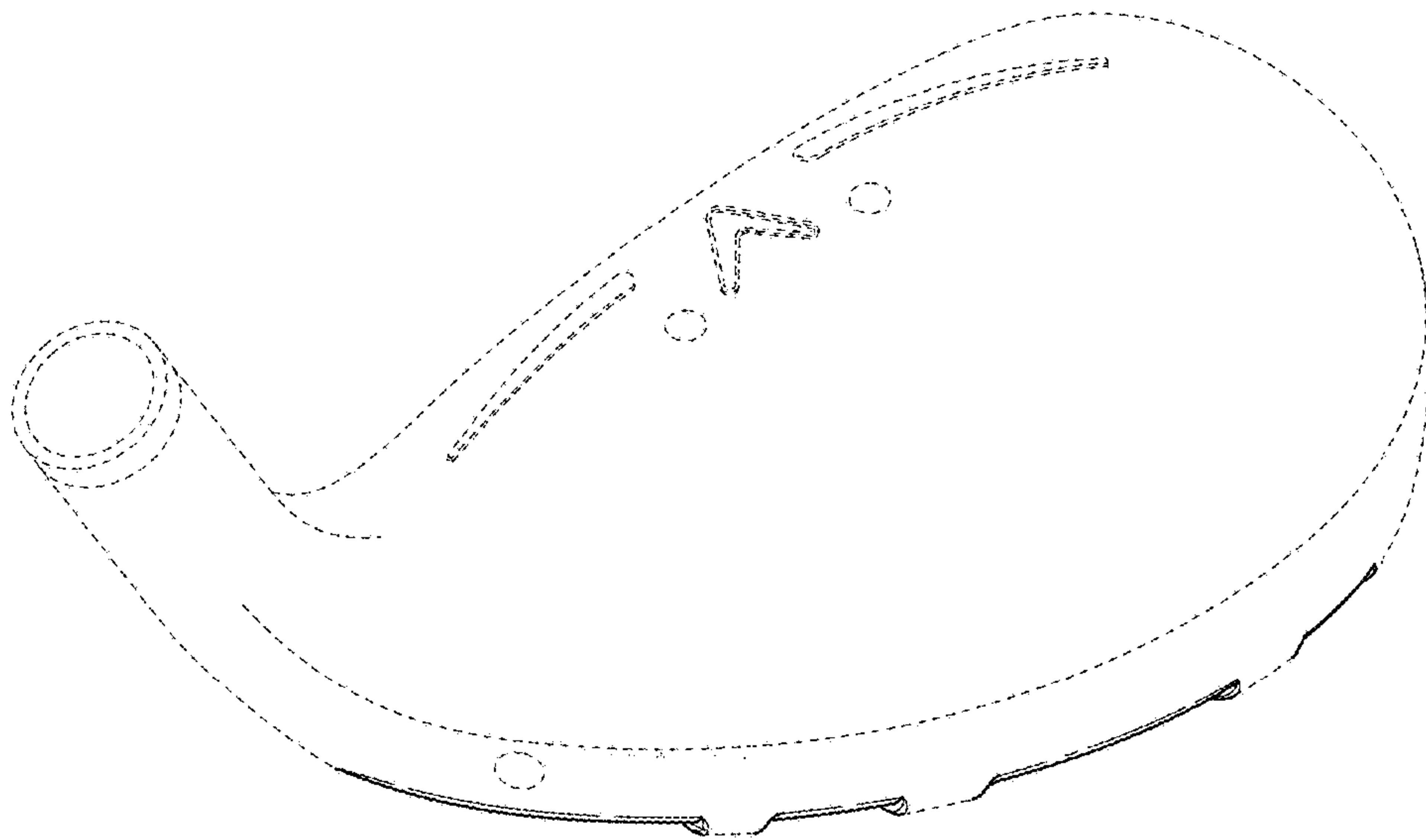


FIG. 1



FIG. 2

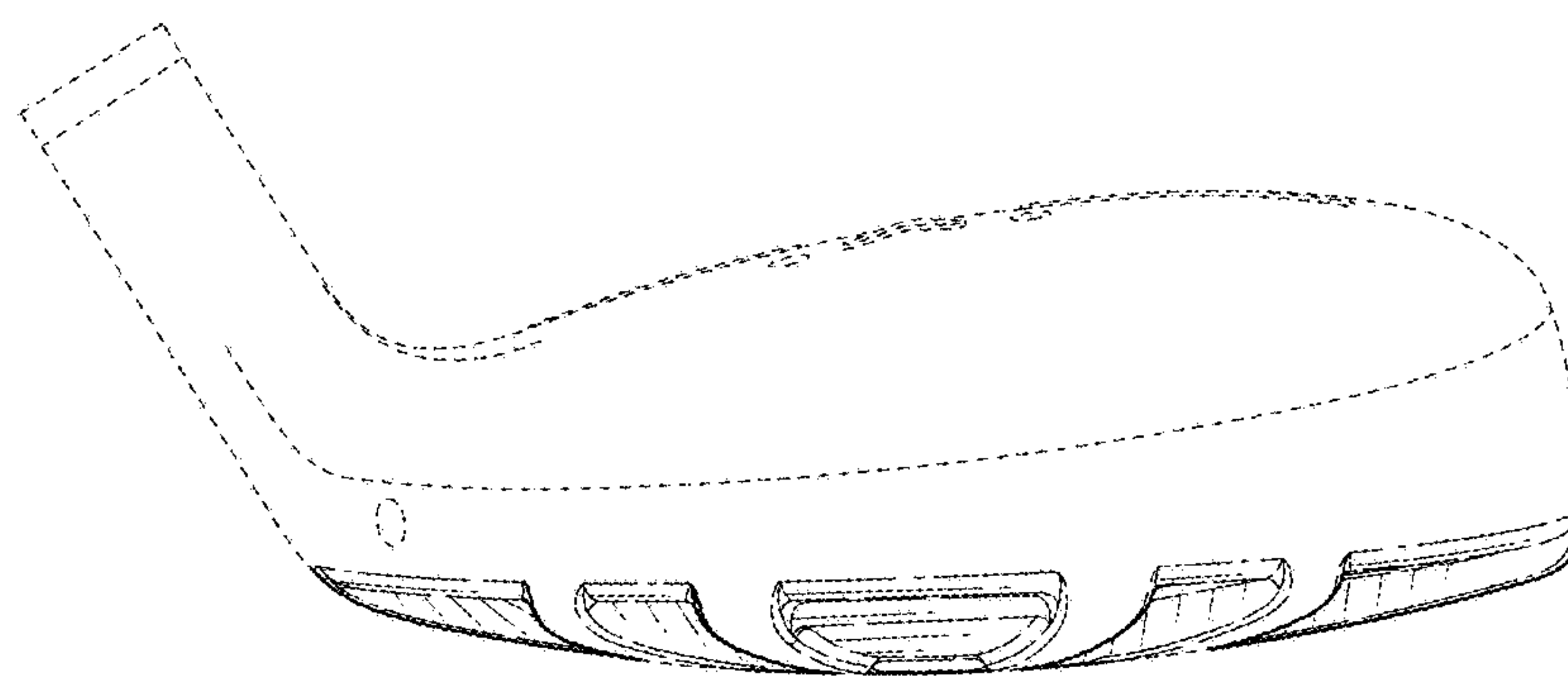


FIG. 3

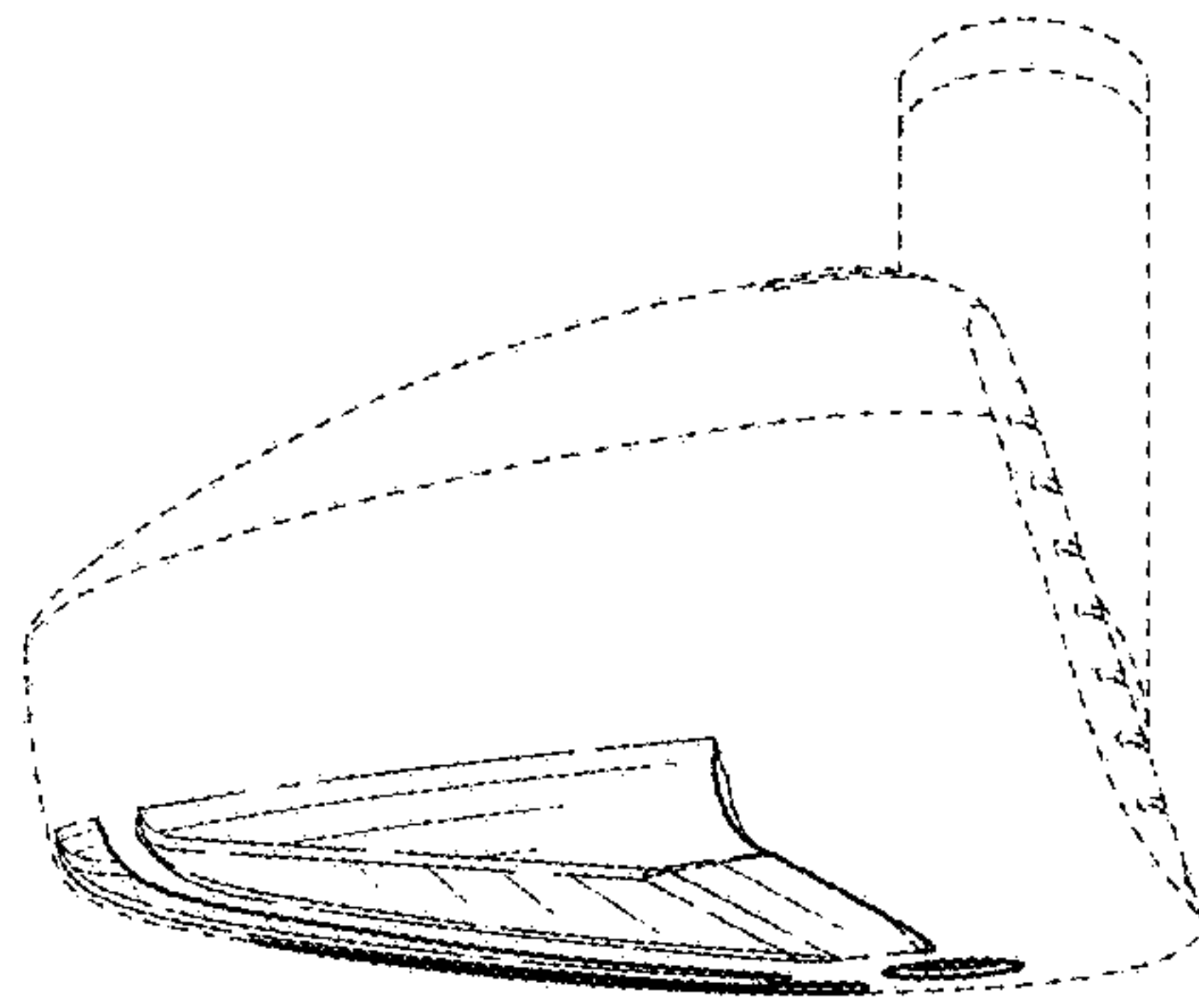


FIG. 4

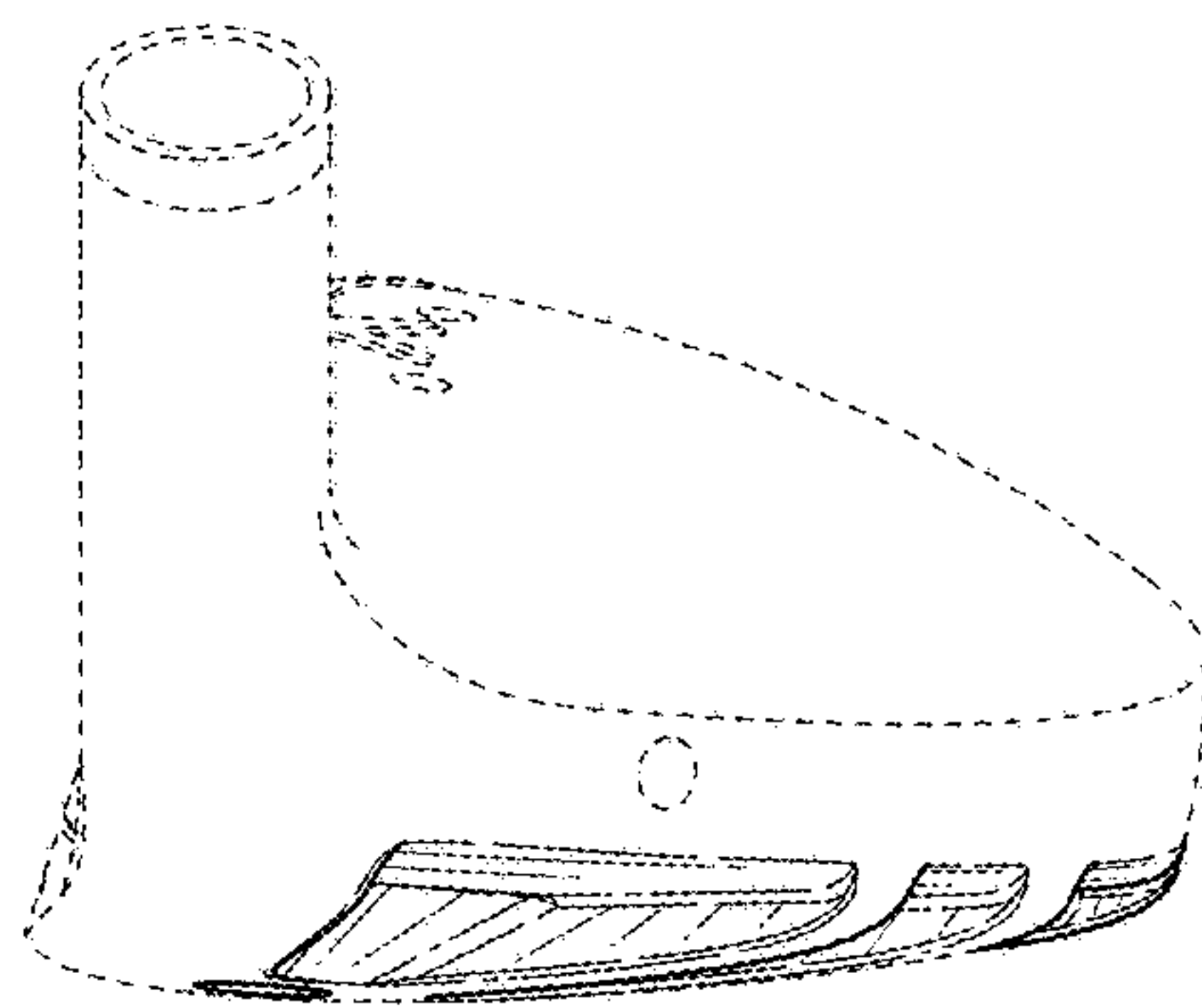


FIG. 5

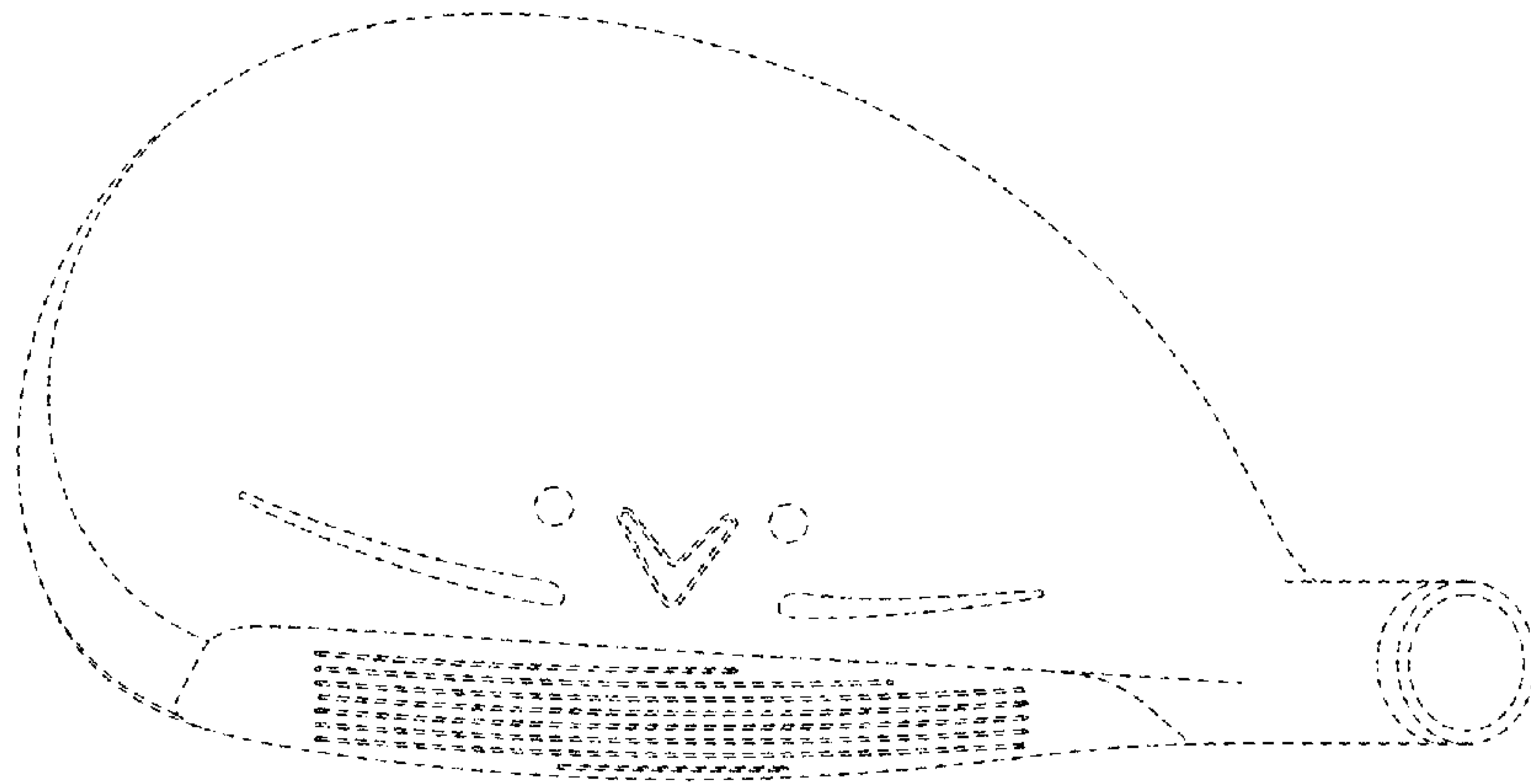


FIG. 6

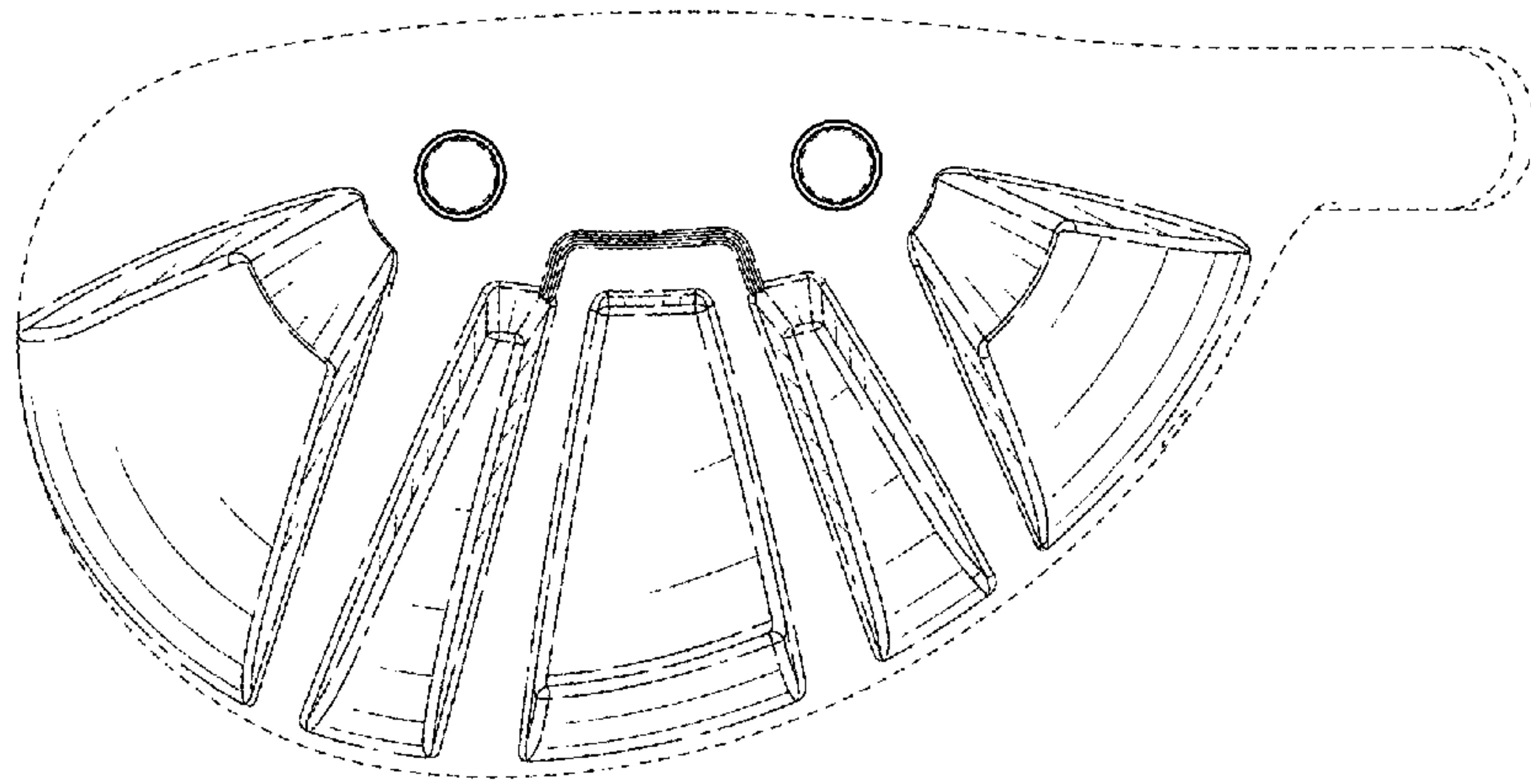


FIG. 7