



US00D842400S

(12) **United States Design Patent** (10) **Patent No.:** **US D842,400 S**
Ross (45) **Date of Patent:** **** Mar. 5, 2019**

- (54) **WEIGHTED VEST**
- (71) Applicant: **Exemplar Design, LLC**, Mason, OH (US)
- (72) Inventor: **Adam L. Ross**, Mason, OH (US)
- (73) Assignee: **EXEMPLAR DESIGN, LLC**, Mason, OH (US)
- (**) Term: **15 Years**
- (21) Appl. No.: **29/622,880**
- (22) Filed: **Oct. 20, 2017**
- (51) **LOC (11) Cl.** **21-02**
- (52) **U.S. Cl.**
USPC **D21/683**
- (58) **Field of Classification Search**
USPC D21/662, 683-684, 692; D2/624, 999, D2/829; 2/102
CPC A63B 21/065; A63B 21/062; A41D 1/04
See application file for complete search history.

D734,922 S * 7/2015 Docker D2/829
 9,072,935 B2 * 7/2015 Ross A63B 21/0603
 D803,957 S * 11/2017 Stocking, Sr. D21/683
 2013/0190144 A1 * 7/2013 Ross A63B 21/0603
 482/105

* cited by examiner

Primary Examiner — Robin V Webster

Assistant Examiner — J. Thorn, Sr.

(74) *Attorney, Agent, or Firm* — Baker & Hostetler LLP

(57) **CLAIM**

I claim the ornamental design for a weighted vest, as shown and described.

DESCRIPTION

FIG. 1 is a top perspective view of the weighted vest showing my new design in an open configuration;
 FIG. 2 is a top plan view thereof;
 FIG. 3 is a bottom plan view thereof;
 FIG. 4 is a left side elevation view thereof;
 FIG. 5 is a right side elevation view thereof;
 FIG. 6 is a front side elevation view thereof;
 FIG. 7 is a rear side elevation view thereof; and,
 FIG. 8 is a front perspective view showing the weighted vest of FIG. 1 on a wearer.

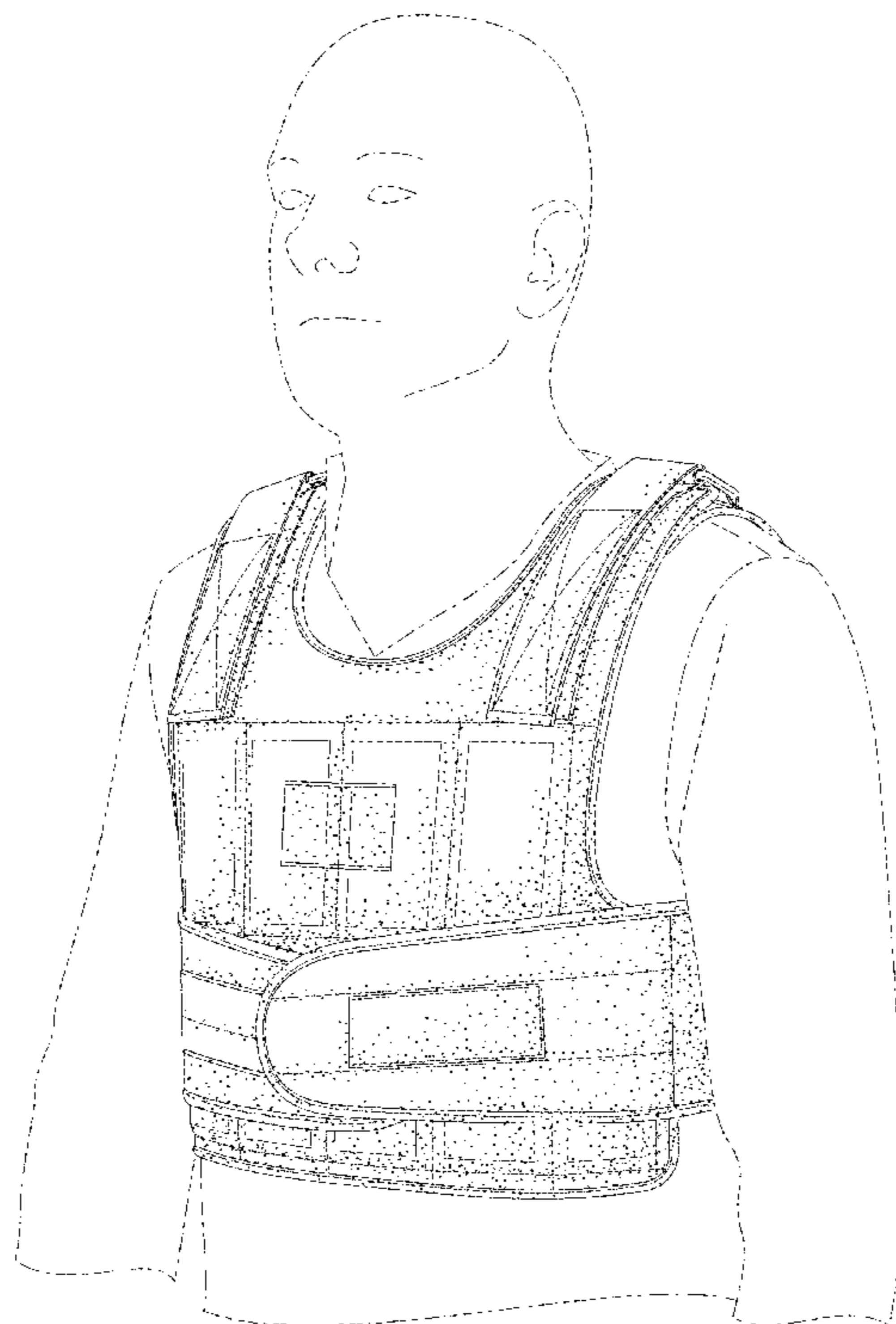
The broken lines shown in the drawings depict portions of the weighted vest that form no part of the claimed design. The human figure shown in FIG. 8 is included for the purpose of illustrating environmental structure and form no part of the claimed design.

1 Claim, 6 Drawing Sheets

(56) **References Cited**

U.S. PATENT DOCUMENTS

- D274,194 S * 6/1984 Ruddy D21/683
- D278,090 S * 3/1985 Cochran D21/683
- D278,840 S * 5/1985 Winston D2/829
- D340,794 S * 11/1993 Winston D21/683
- D390,338 S * 2/1998 Plasco D2/828
- D409,697 S * 5/1999 Ott D21/683
- D457,207 S * 5/2002 Riley, Jr. D21/680
- D645,209 S * 9/2011 Lin D29/101.4



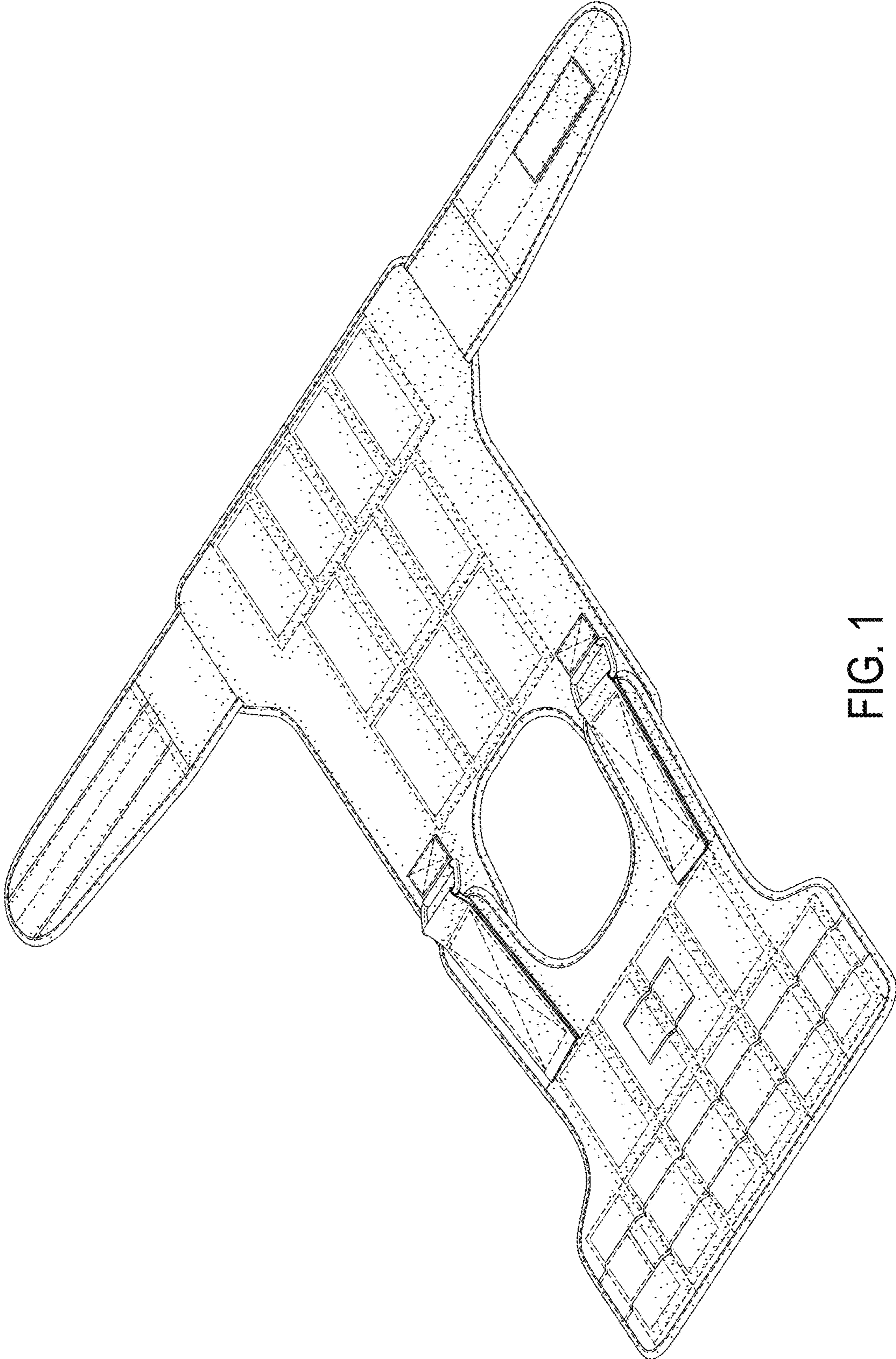


FIG. 1

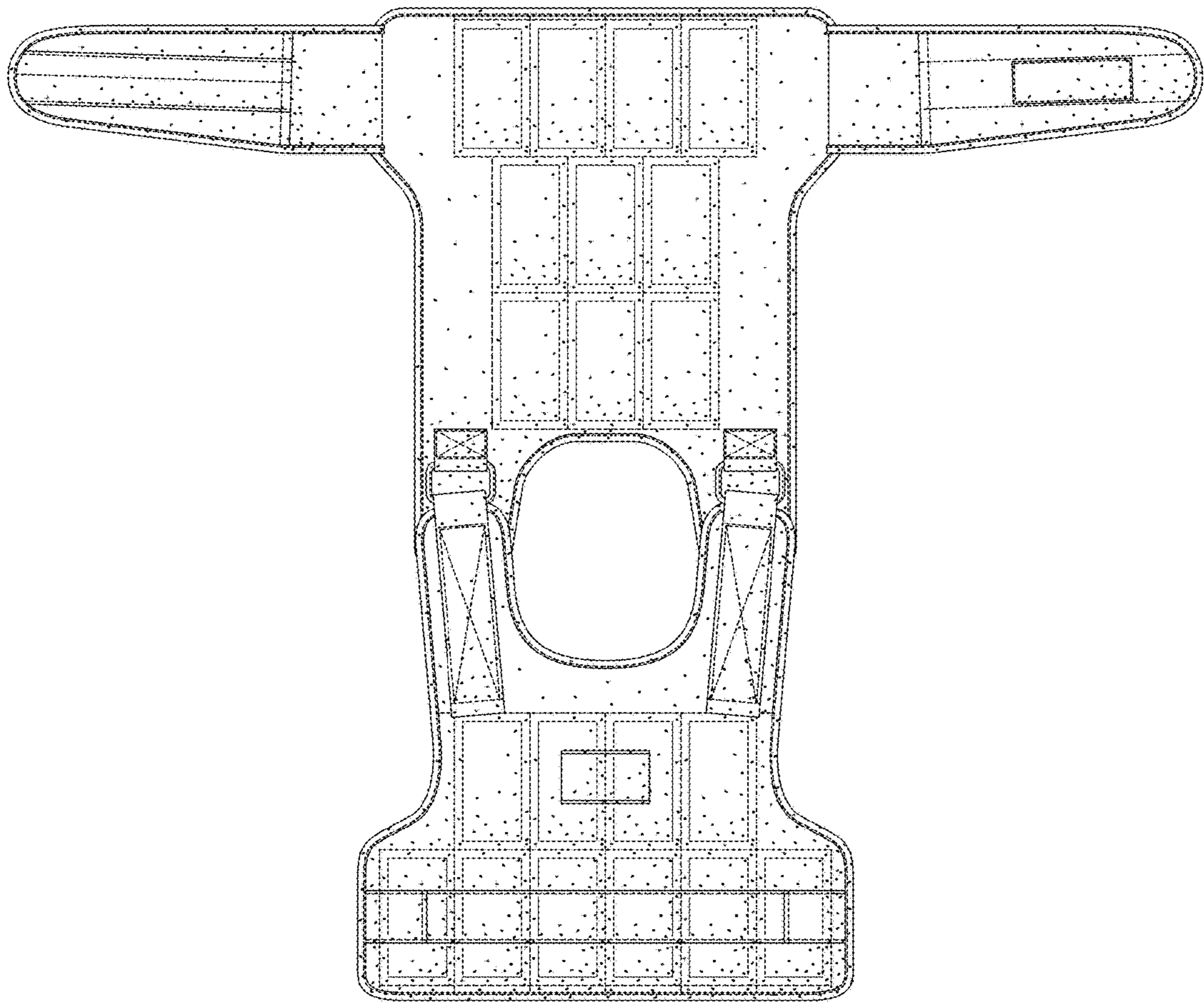


FIG. 2

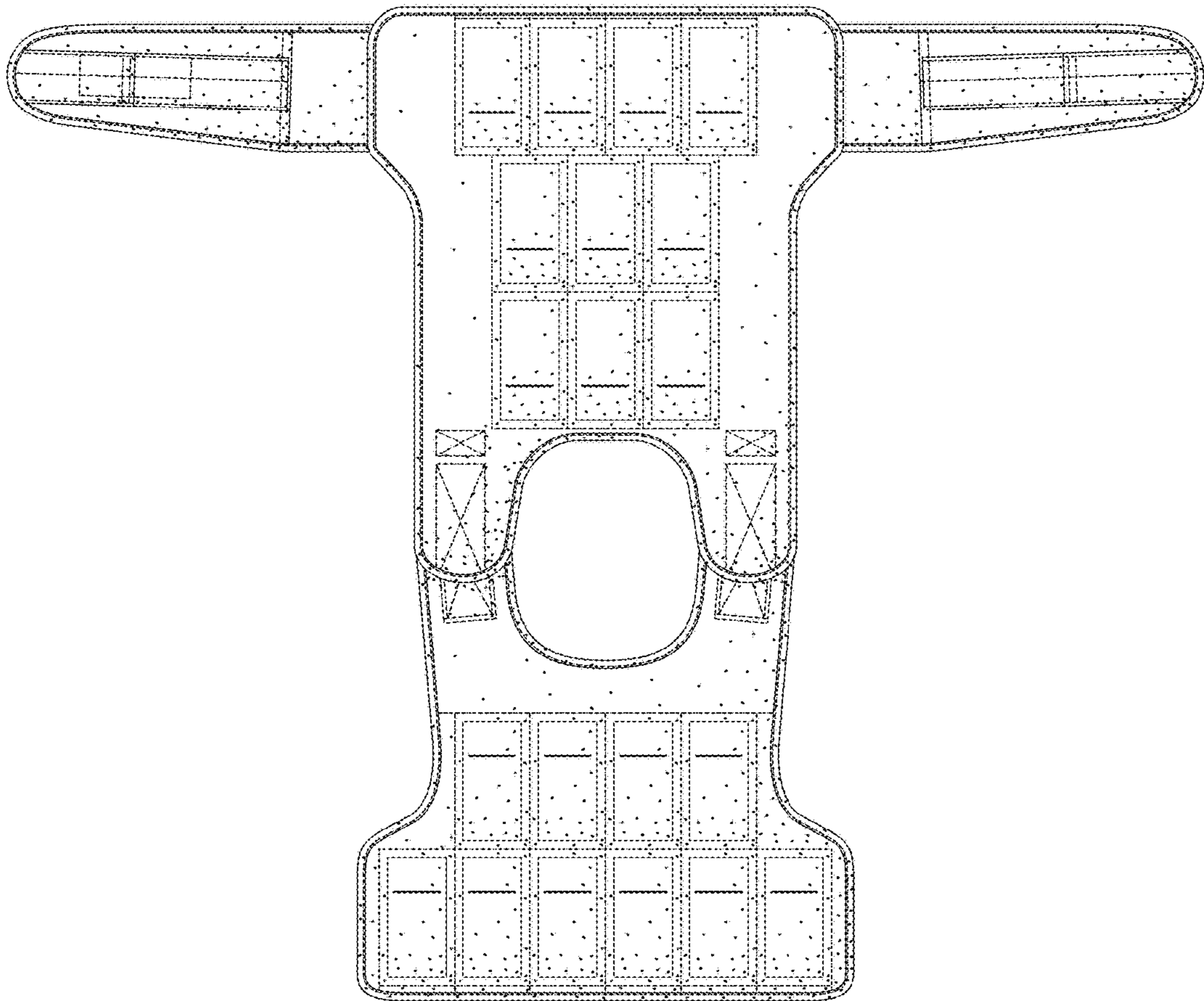


FIG. 3



FIG. 4



FIG. 5



FIG. 6



FIG. 7



FIG. 8