



US00D842399S

(12) **United States Design Patent** (10) **Patent No.:** **US D842,399 S**  
**Arceta** (45) **Date of Patent:** **\*\* Mar. 5, 2019**

(54) **EXERCISE WEIGHT PLATE**  
(71) Applicant: **Brunswick Corporation**, Mettawa, IL (US)  
(72) Inventor: **Radmond V. Arceta**, Libertyville, IL (US)  
(73) Assignee: **Brunswick Corporation**, Mettawa, IL (US)

7,300,389 B2 11/2007 Lien et al.  
D562,919 S 2/2008 Hillson  
7,704,196 B2 4/2010 Lien et al.  
D621,074 S \* 8/2010 Rhee ..... D25/138  
D628,251 S 11/2010 Krull et al.  
D643,075 S \* 8/2011 Childs ..... D21/680  
D673,230 S 12/2012 Qin  
8,591,387 B2 \* 11/2013 Fife ..... A63B 21/072  
482/106  
D749,177 S 2/2016 Childs  
D751,157 S \* 3/2016 Irwin ..... D21/680  
2010/0210427 A1 8/2010 Yu  
2010/0255960 A1 10/2010 Kessler

(\*\*) Term: **15 Years**

(Continued)

(21) Appl. No.: **29/627,862**

FOREIGN PATENT DOCUMENTS

(22) Filed: **Nov. 30, 2017**  
(51) **LOC (11) Cl.** ..... **21-02**  
(52) **U.S. Cl.**  
USPC ..... **D21/680**  
(58) **Field of Classification Search**  
USPC ..... 52/311.2, 390, 596, 604, 609; 404/34,  
404/35, 36, 37, 38, 39, 40, 41, 42;  
482/93, 106, 108; D12/175, 202, 204,  
D12/207, 604; D21/662, 680, 681, 682,  
D21/684; D25/113, 114, 115, 116, 117,  
D25/118, 138, 151  
CPC ..... A63B 21/072; A63B 21/0608; A63B  
21/0728; A63B 21/075; A63B 21/06  
See application file for complete search history.

CN 102814023 12/2012  
GB 2492079 12/2012

(Continued)

*Primary Examiner* — Cynthia Ramirez  
*Assistant Examiner* — Michael A Maharajh  
(74) *Attorney, Agent, or Firm* — Andrus Intellectual Property Law, LLP

(57) **CLAIM**

The ornamental design for an exercise weight plate, as shown and described.

**DESCRIPTION**

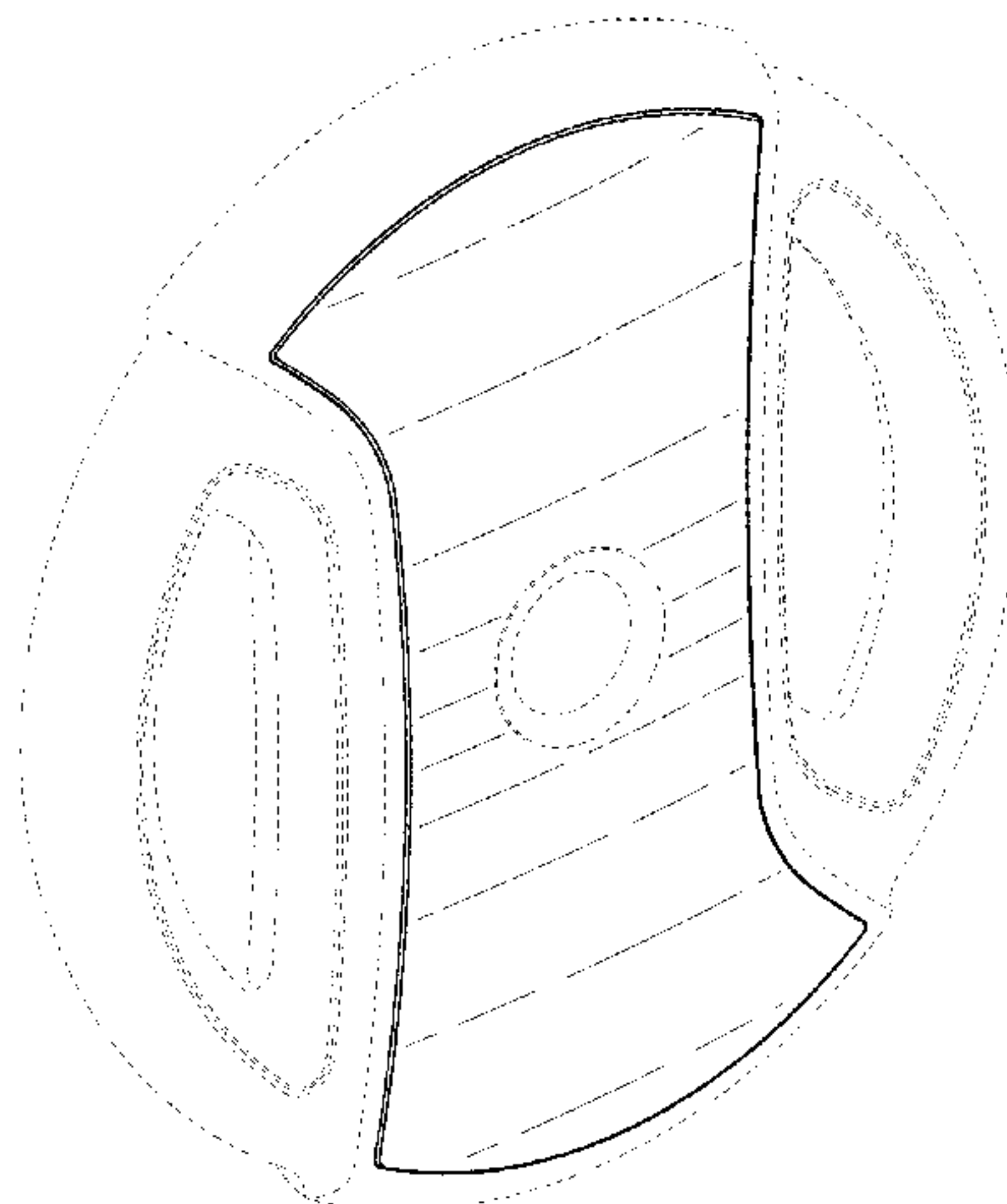
FIG. 1 is a front perspective view of an exercise weight plate, showing my new design.  
FIG. 2 is a front view thereof.  
FIG. 3 is a rear view thereof.  
FIGS. 4 and 5 are opposing side views thereof.  
FIG. 6 is a top view thereof; and,  
FIG. 7 is a bottom view thereof.  
The broken lines represent portions of the exercise weight plate that are shown for illustrative purposes only and form no part of the claimed design.

(56) **References Cited**

U.S. PATENT DOCUMENTS

D414,275 S \* 9/1999 Azar ..... D25/113  
D426,001 S \* 5/2000 Azar ..... D25/113  
6,319,176 B1 11/2001 Landfair  
D474,517 S 5/2003 Harms  
D483,083 S 12/2003 Allshouse et al.  
6,702,723 B2 3/2004 Landfair  
6,746,380 B2 6/2004 Lien et al.  
D546,478 S \* 7/2007 Adam ..... D25/113  
D546,908 S 7/2007 Lien

**1 Claim, 5 Drawing Sheets**



(56)

**References Cited**

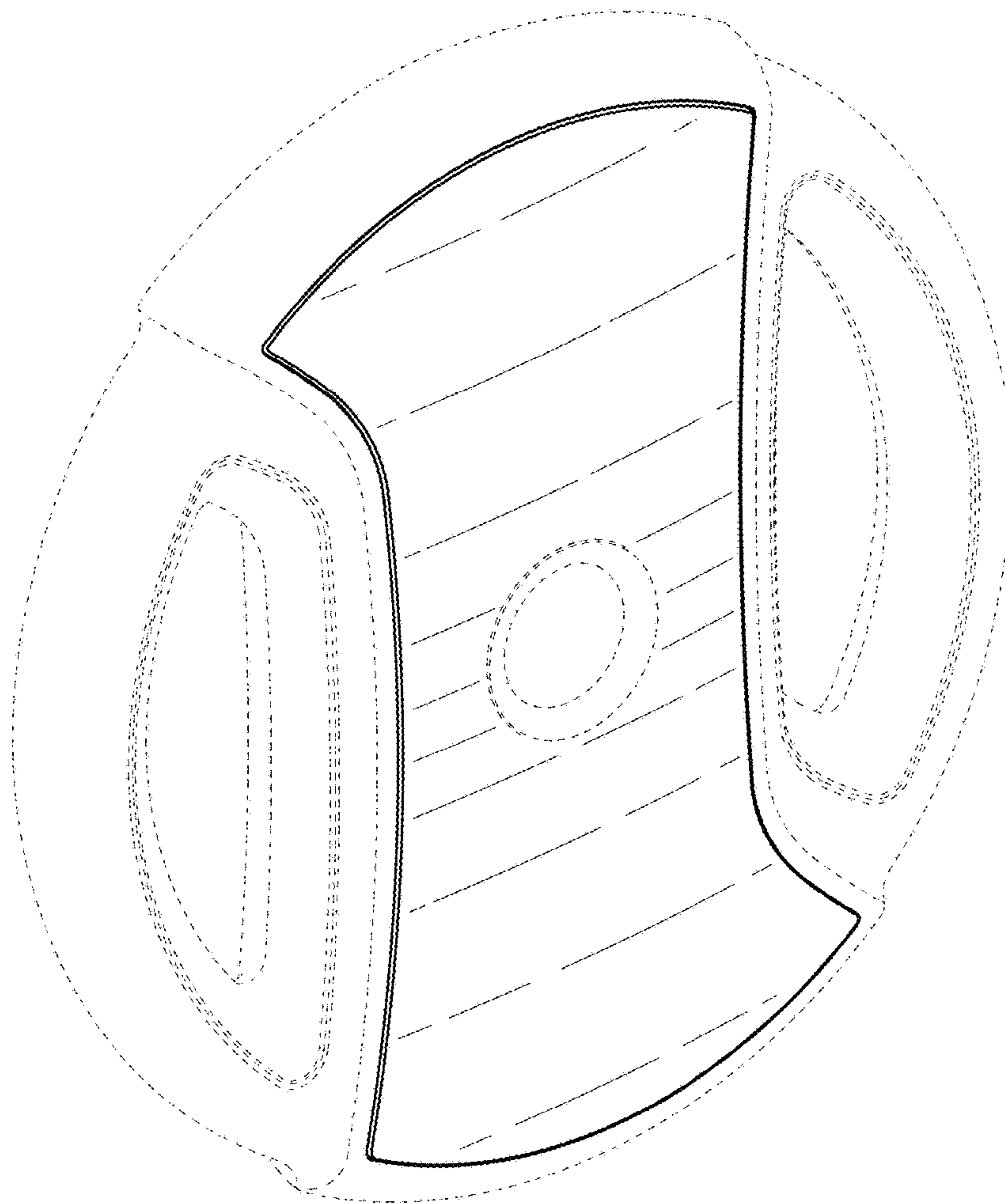
U.S. PATENT DOCUMENTS

2011/0306475 A1 12/2011 Caswell et al.  
2013/0012367 A1 1/2013 Williams  
2013/0157814 A1 6/2013 Nowicki  
2015/0038303 A1 2/2015 Adkins

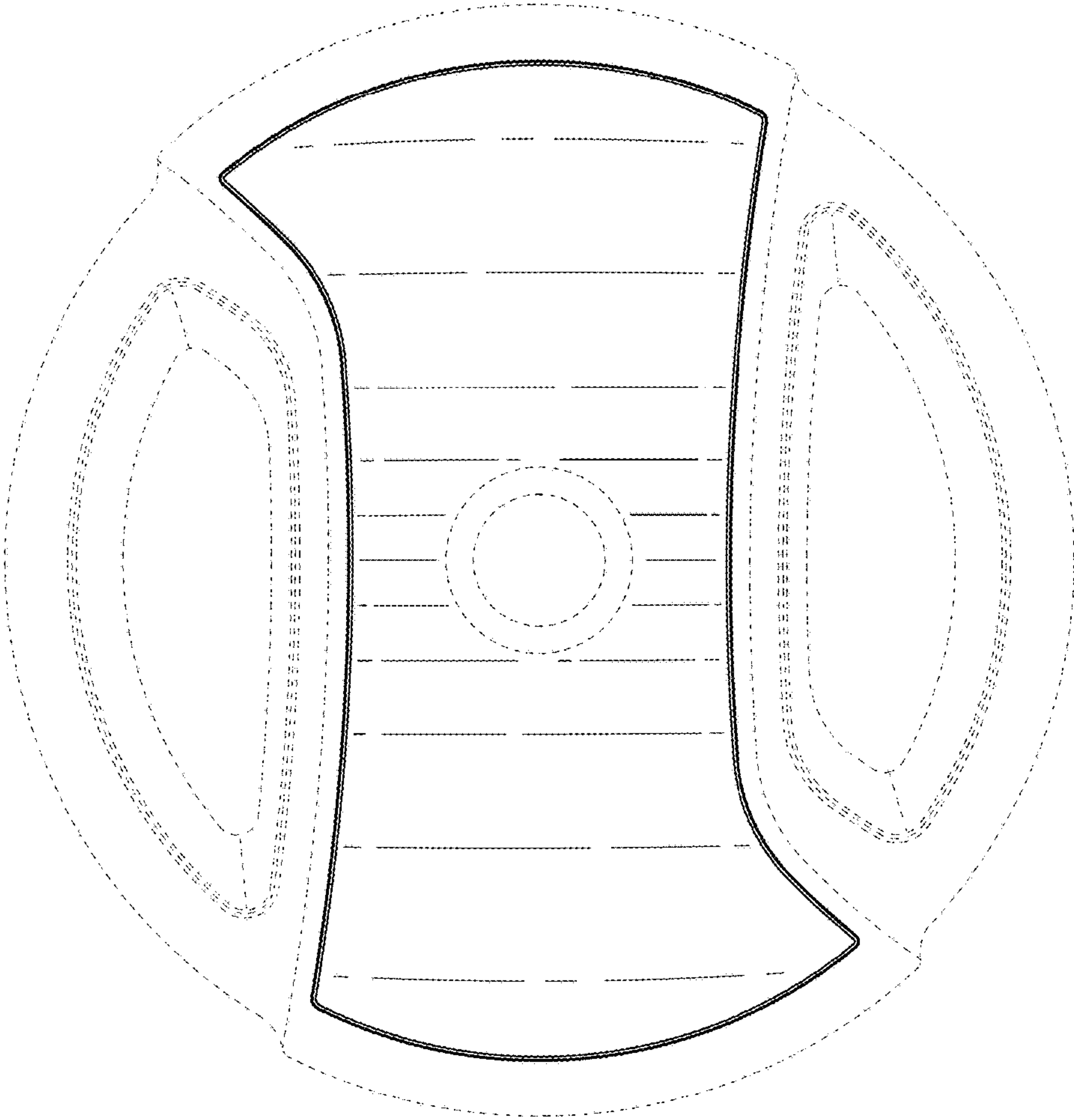
FOREIGN PATENT DOCUMENTS

GB 2525012 10/2015  
WO 2013/181757 12/2013  
WO 2014/008568 1/2014  
WO 2017/024611 2/2017

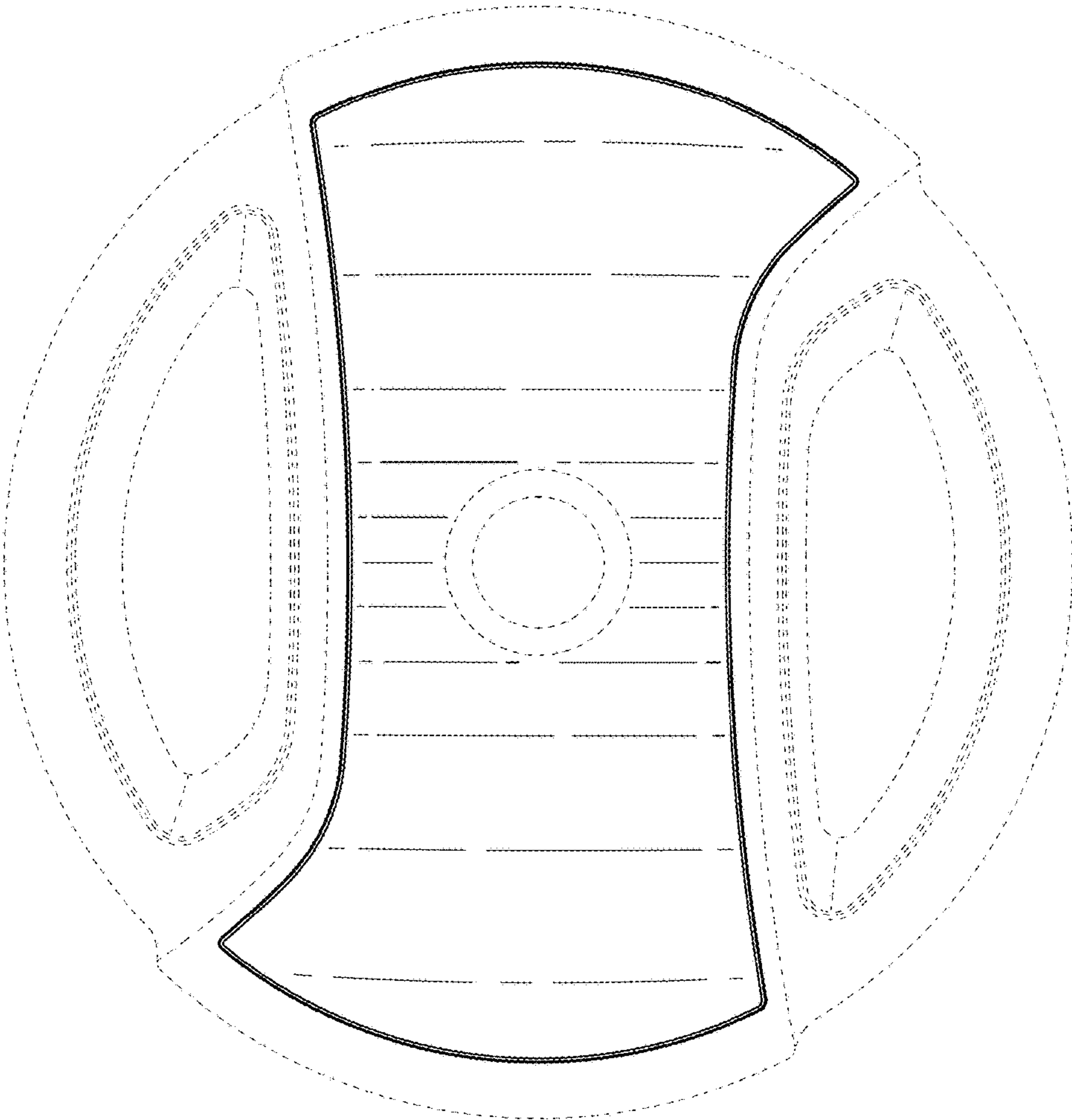
\* cited by examiner



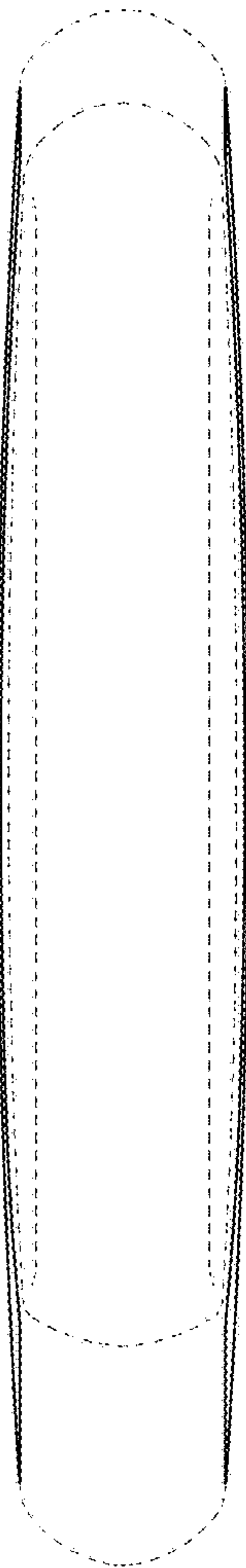
**FIG. 1**



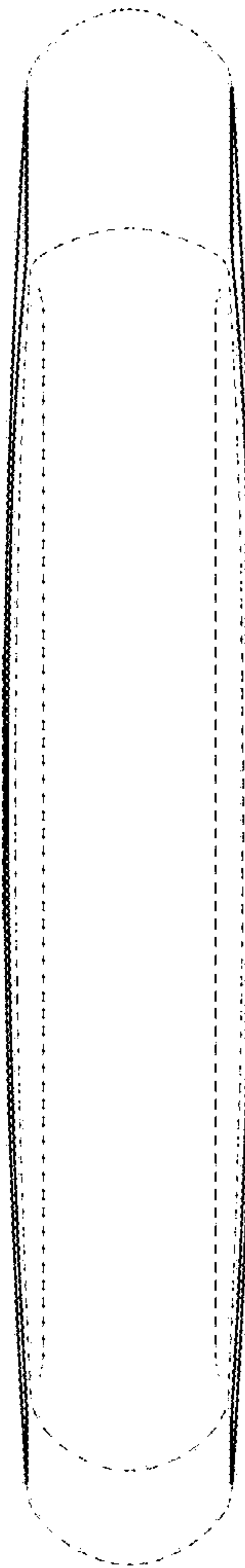
**FIG. 2**



**FIG. 3**



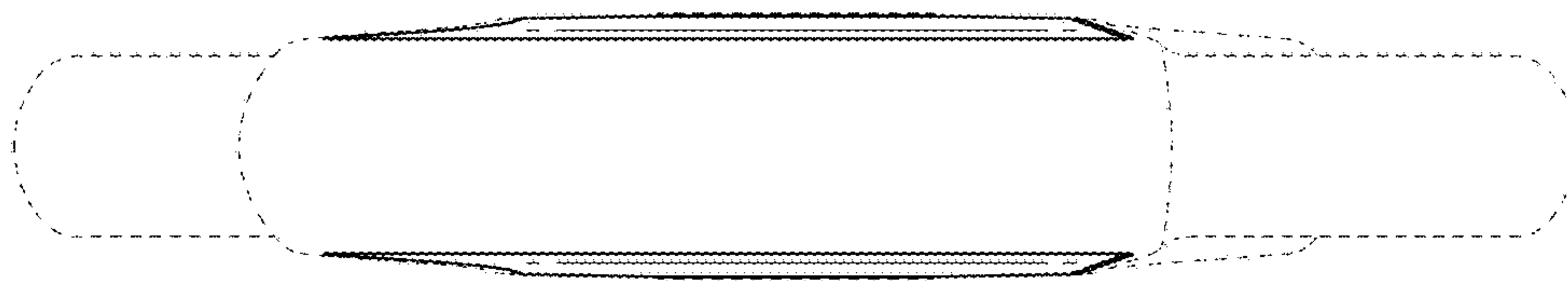
**FIG. 4**



**FIG. 5**



**FIG. 6**



**FIG. 7**