



US00D842393S

(12) **United States Design Patent** (10) **Patent No.:** **US D842,393 S**
Xiao (45) **Date of Patent:** **** Mar. 5, 2019**

- (54) **AR GAME GUN** 8,057,309 B1 * 11/2011 Mead A63F 9/00
 273/148 B
- (71) Applicant: **Shenzhen Tianyuwei Science and Technology Co., Ltd., Shenzhen (CN)** D654,118 S * 2/2012 Sogabe D14/218
 D660,920 S * 5/2012 Johnson D21/572
 D660,923 S * 5/2012 Johnson D21/573
 D660,924 S * 5/2012 Jablonski D21/573
 D660,925 S * 5/2012 Jablonski D21/573
- (72) Inventor: **Hui Xiao, Shanxi (CN)** D720,409 S * 12/2014 Li D21/573
 D754,258 S * 4/2016 Sakai D14/418
 D754,796 S * 4/2016 Sakai D14/418
 D757,188 S * 5/2016 Murayama D21/573
 D769,373 S * 10/2016 Sogabe D14/218
- (73) Assignee: **Shenzhen Tianyuwei Science and Technology Co., Ltd. (CN)** 2011/0177749 A1 * 7/2011 Zuloff A63F 5/04
 446/220
- (**) Term: **15 Years** 2015/0328557 A1 * 11/2015 Cheng A63H 5/04
 446/405
- (21) Appl. No.: **29/636,174**
- (22) Filed: **Feb. 6, 2018**
- (51) **LOC (11) Cl.** **21-01**
- (52) **U.S. Cl.**
 USPC **D21/575**
- (58) **Field of Classification Search**
 USPC D22/103, 107, 108; D21/567, 570, 573,
 D21/574
 CPC F41B 7/003; F41B 7/08; F41B 7/025
 See application file for complete search history.

* cited by examiner

Primary Examiner — Robin V Webster
Assistant Examiner — Keith J Wilson

(57) **CLAIM**

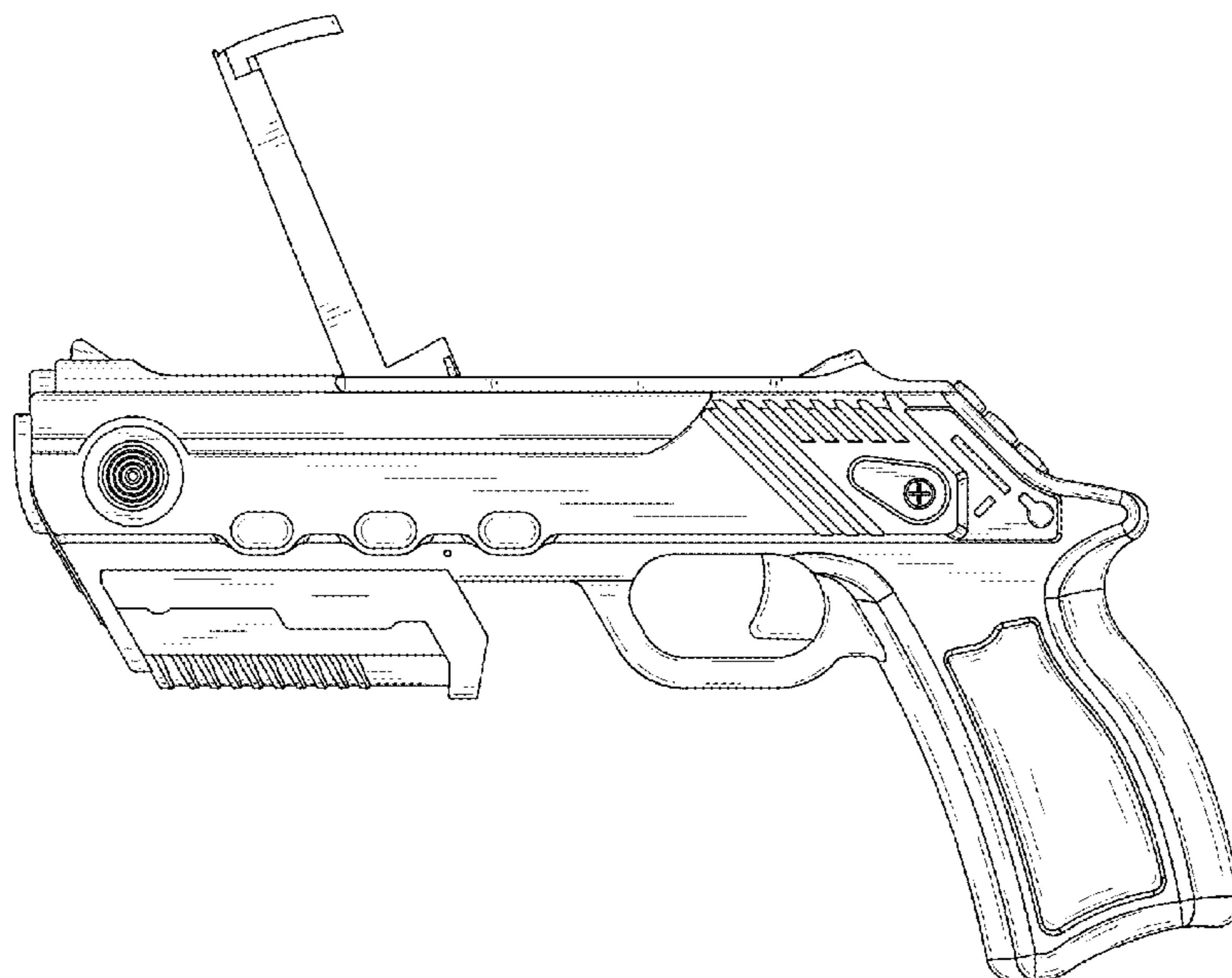
I claim the ornamental design for a AR game gun, as shown and described.

DESCRIPTION

FIG. 1 is a front view of the AR game gun showing my new design;
 FIG. 2 is a back view thereof;
 FIG. 3 is a left side view thereof;
 FIG. 4 is a right side view thereof;
 FIG. 5 is a top view thereof;
 FIG. 6 is a bottom view thereof;
 FIG. 7 is a perspective view thereof; and,
 FIG. 8 is another perspective view thereof.

1 Claim, 6 Drawing Sheets

- (56) **References Cited**
 U.S. PATENT DOCUMENTS
- D316,123 S * 4/1991 Shiung-Fei D21/570
 D433,074 S * 10/2000 Clemmer D21/324
 7,632,187 B1 * 12/2009 Farley A63F 9/02
 434/11
- D614,624 S * 4/2010 Zhang D14/418
 D635,200 S * 3/2011 Nadel D21/573
 D635,618 S * 4/2011 Nadel D21/573
 D635,620 S * 4/2011 Nadel D21/573
 D646,281 S * 10/2011 Markowitz D14/418



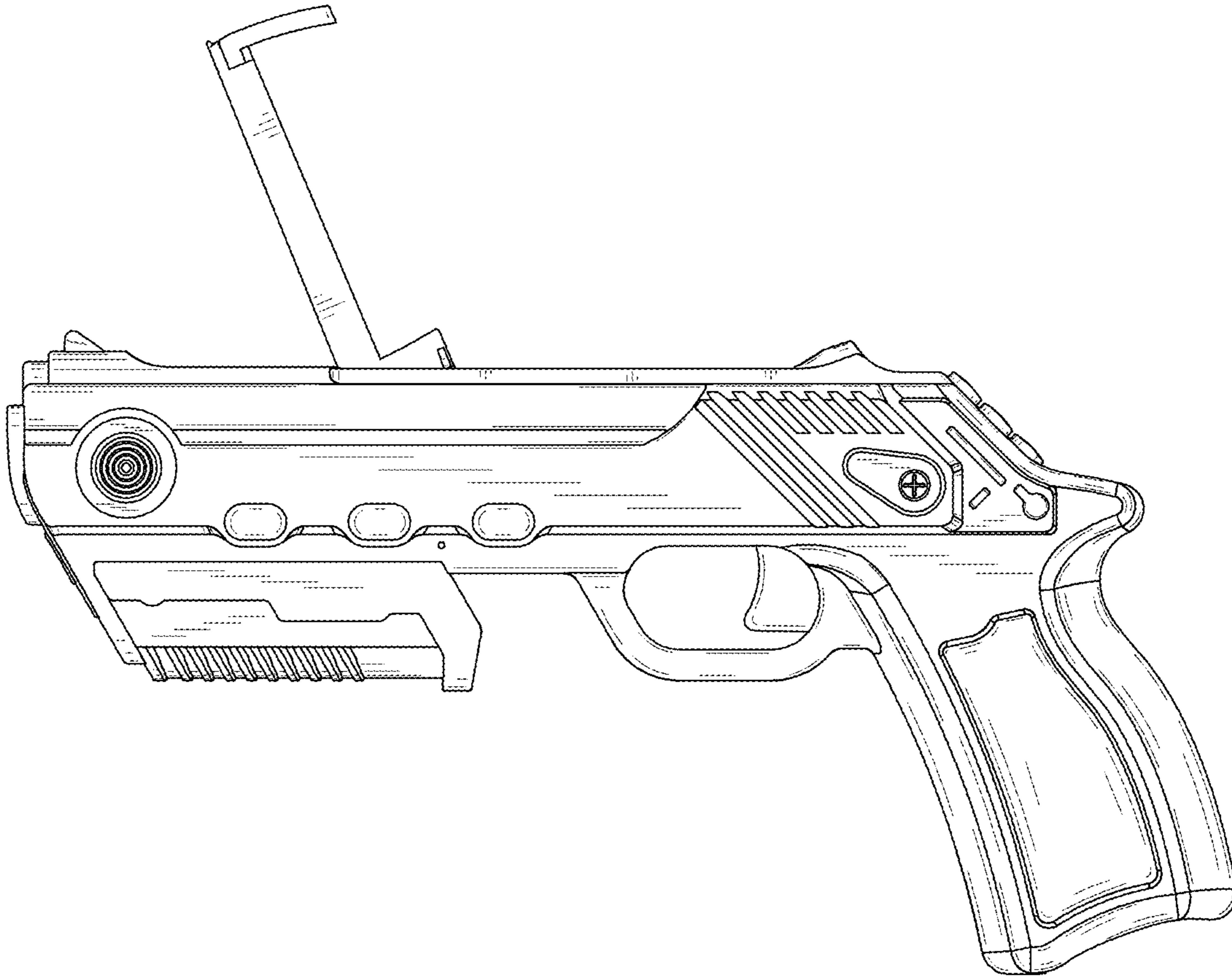


Fig. 1

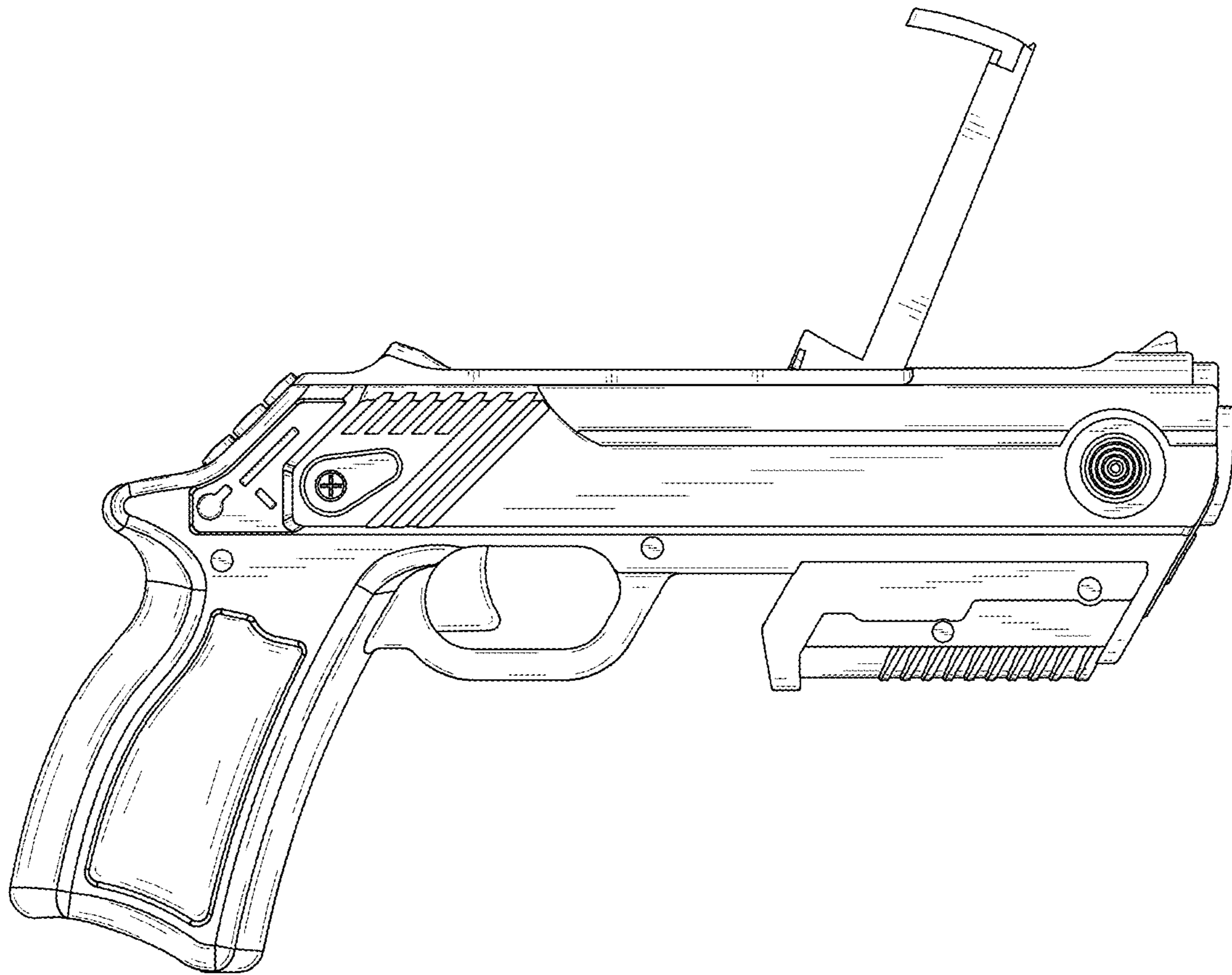


Fig.2

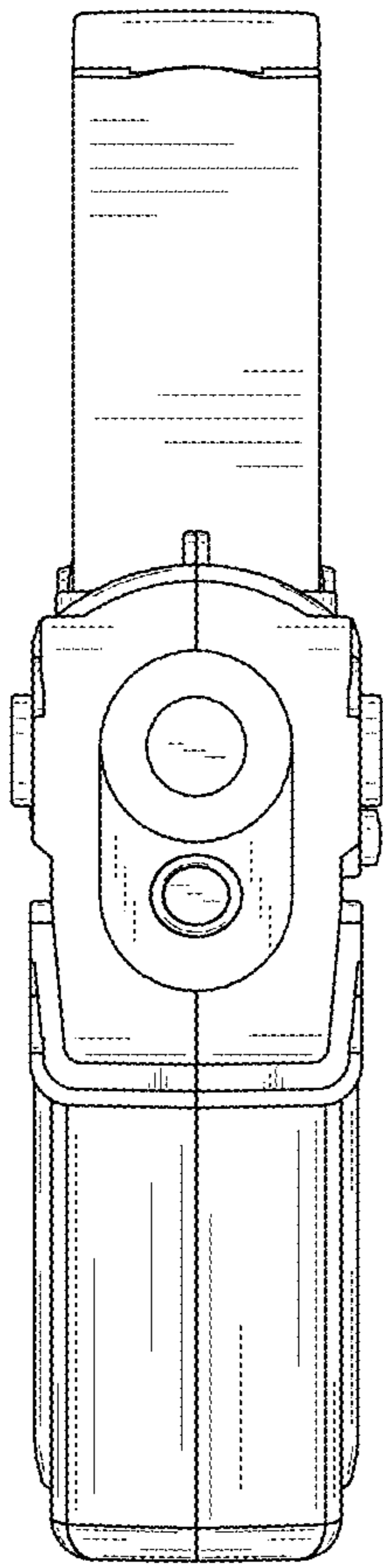


Fig.3

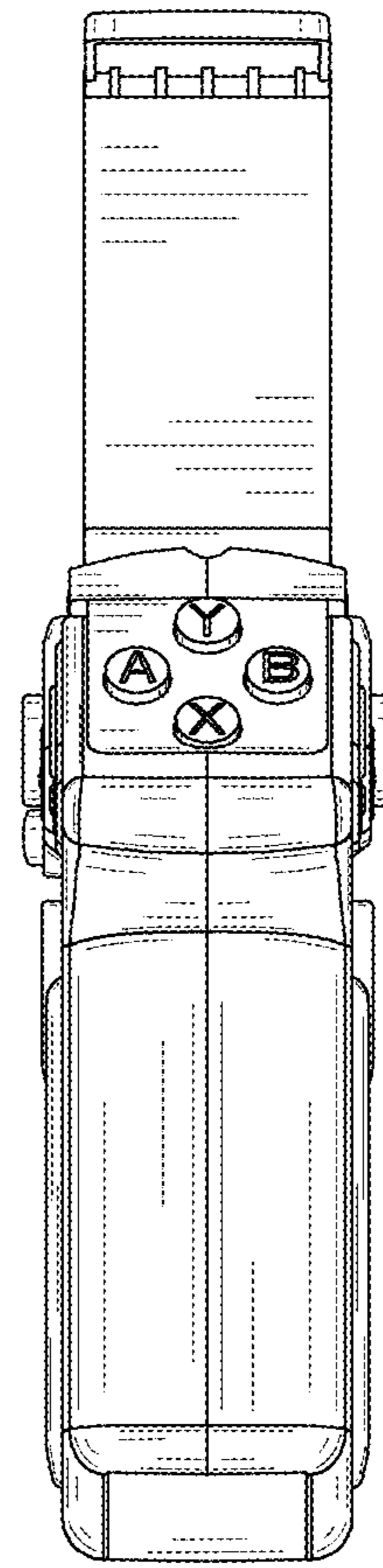


Fig.4

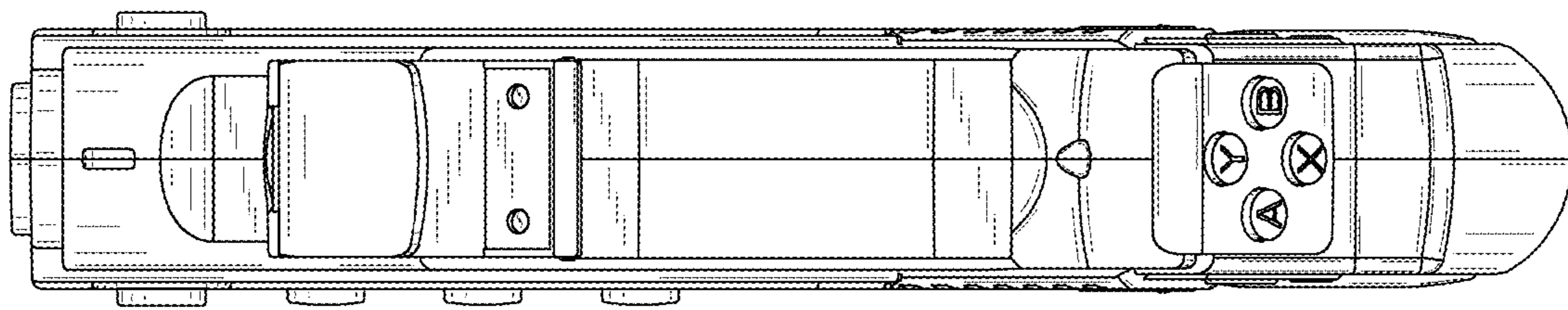


Fig.5

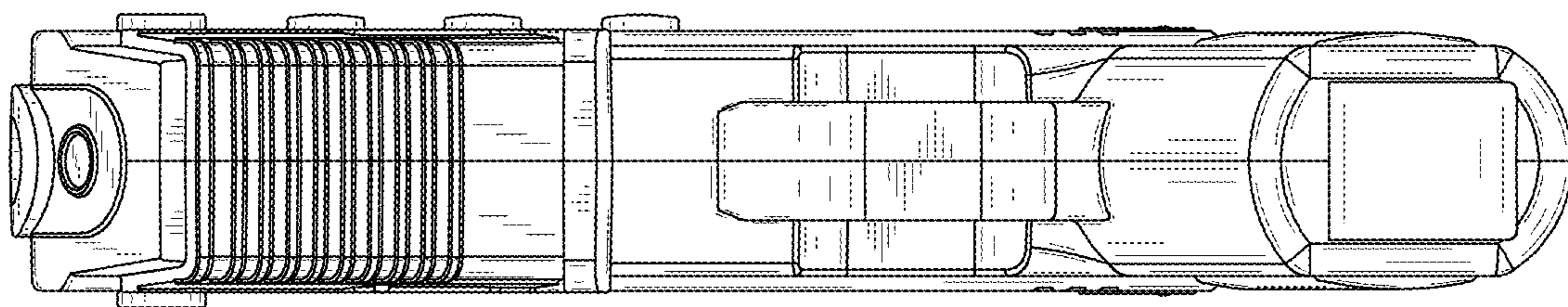


Fig.6

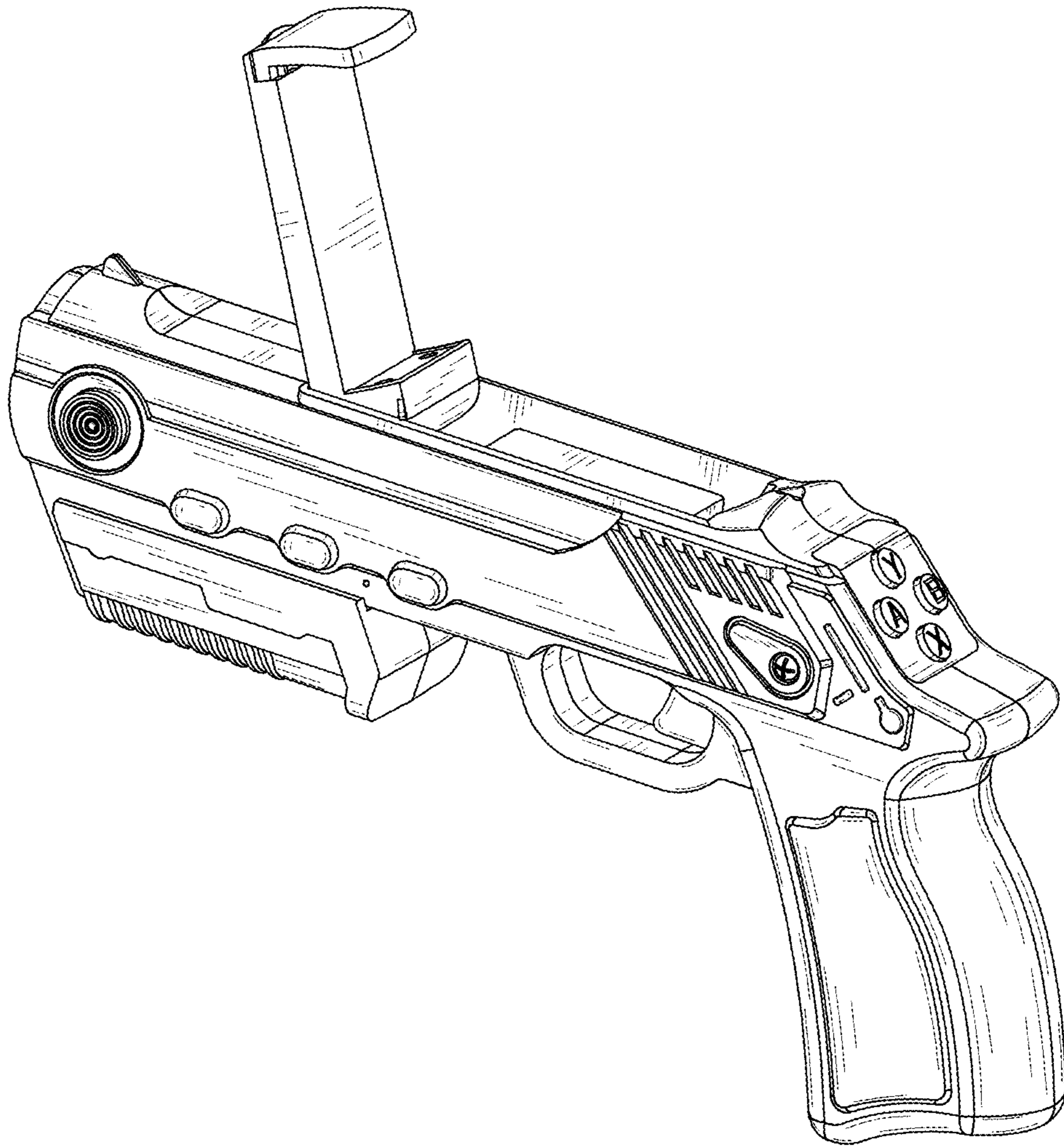


Fig.7

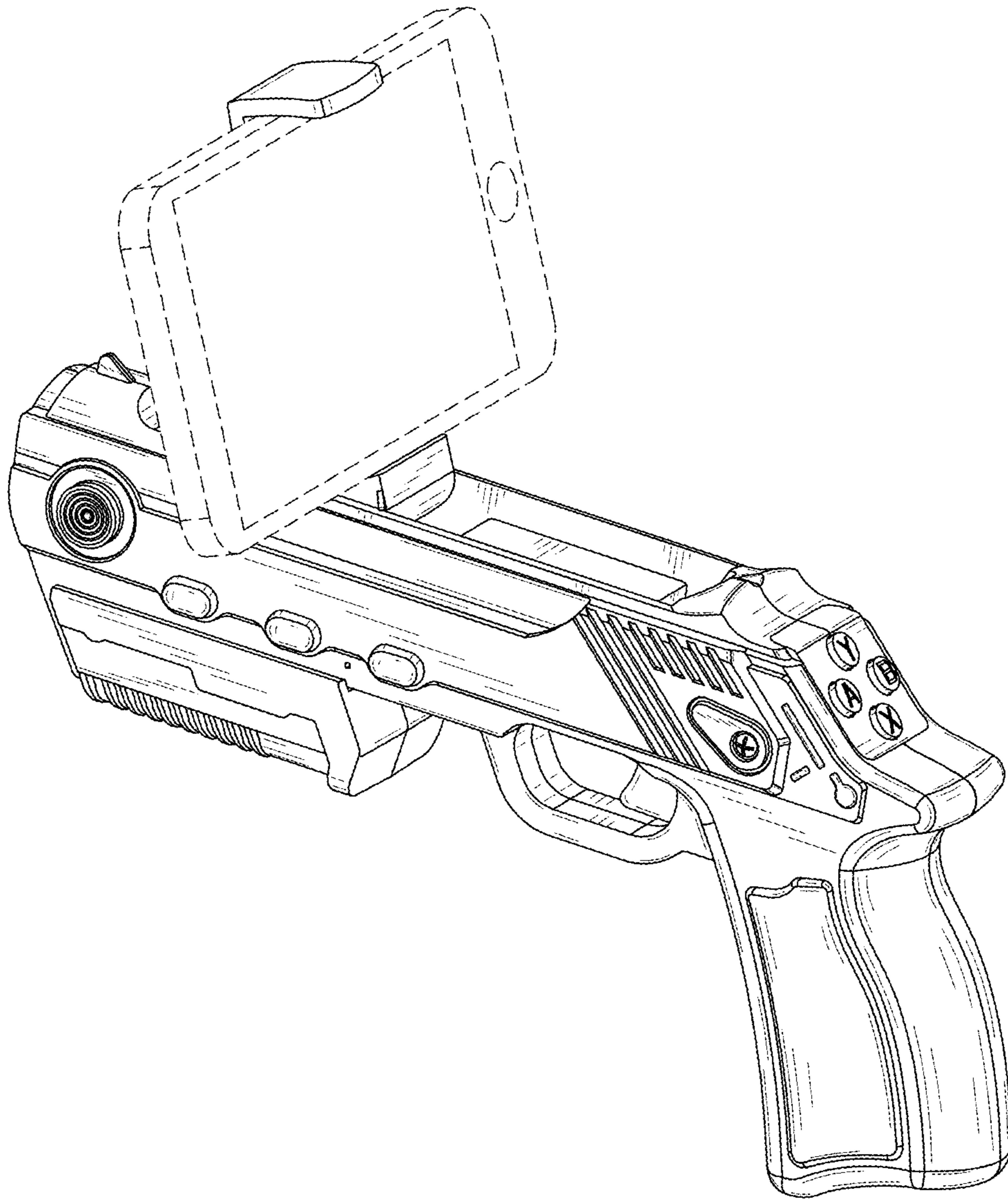


Fig.8